



US00D371619S

United States Patent [19]

[11] Patent Number: **Des. 371,619**

Szymanski

[45] Date of Patent: ****Jul. 9, 1996**

[54] **HEAD FOR A FLEXIBLE FLASHLIGHT**

[75] Inventor: **Aaron Szymanski**, Bristol, Conn.

[73] Assignee: **Black & Decker Inc.**, Newark, Del.

[**] Term: **14 Years**

[21] Appl. No.: **37,605**

[22] Filed: **Apr. 17, 1995**

[52] U.S. Cl. **D26/43**

[58] Field of Search D26/37, 43, 44,
D26/46, 48, 49, 60, 62; 362/157, 158, 184,
188, 189, 191, 198, 199, 200, 202, 362,
396

[56] **References Cited**

U.S. PATENT DOCUMENTS

D. 276,080	10/1984	Kung	D26/48
D. 328,146	7/1992	Sinsteden	D26/49
4,319,309	3/1982	Benoit	362/191 X

Primary Examiner—A. Hugo Word
Assistant Examiner—Lavone D. Tabor
Attorney, Agent, or Firm—Barry E. Deutsch

[57] **CLAIM**

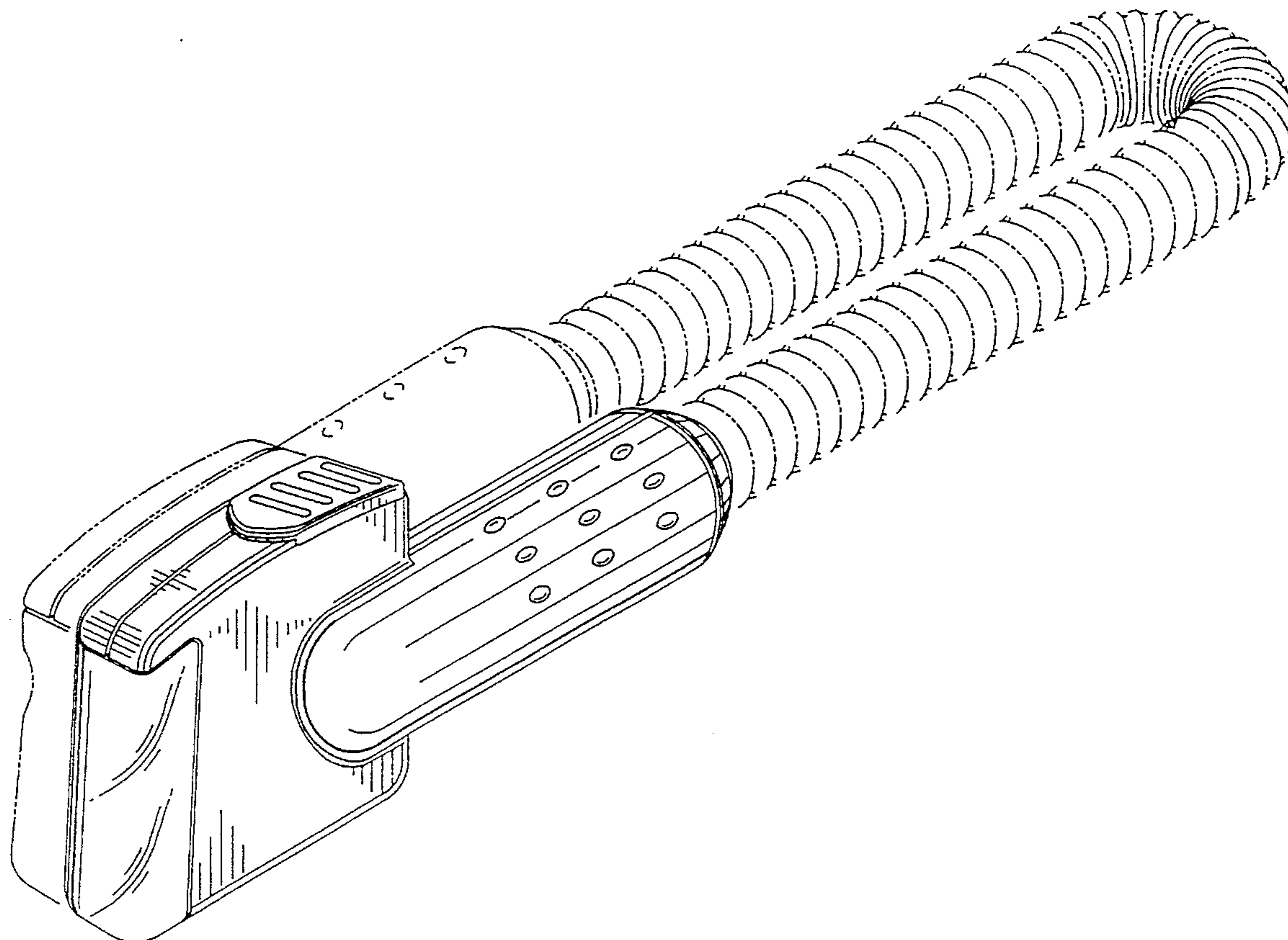
The ornamental design for a head for a flexible flashlight, as shown and described.

DESCRIPTION

FIG. 1 is a perspective view taken from the front, top and right side of a head for a flexible flashlight showing my new design, the portion shown in phantom is illustrative of a flexible core to which my new design, may be attached; FIG. 2 is a left side elevational view thereof; FIG. 3 is a right side elevational view thereof; FIG. 4 is a front elevational view thereof; FIG. 5 is a rear elevational view thereof; FIG. 6 is a top plan view thereof; and, FIG. 7 is a bottom plan view thereof.

The broken lines are for illustrative purposes and form no part of the claimed design.

1 Claim, 3 Drawing Sheets



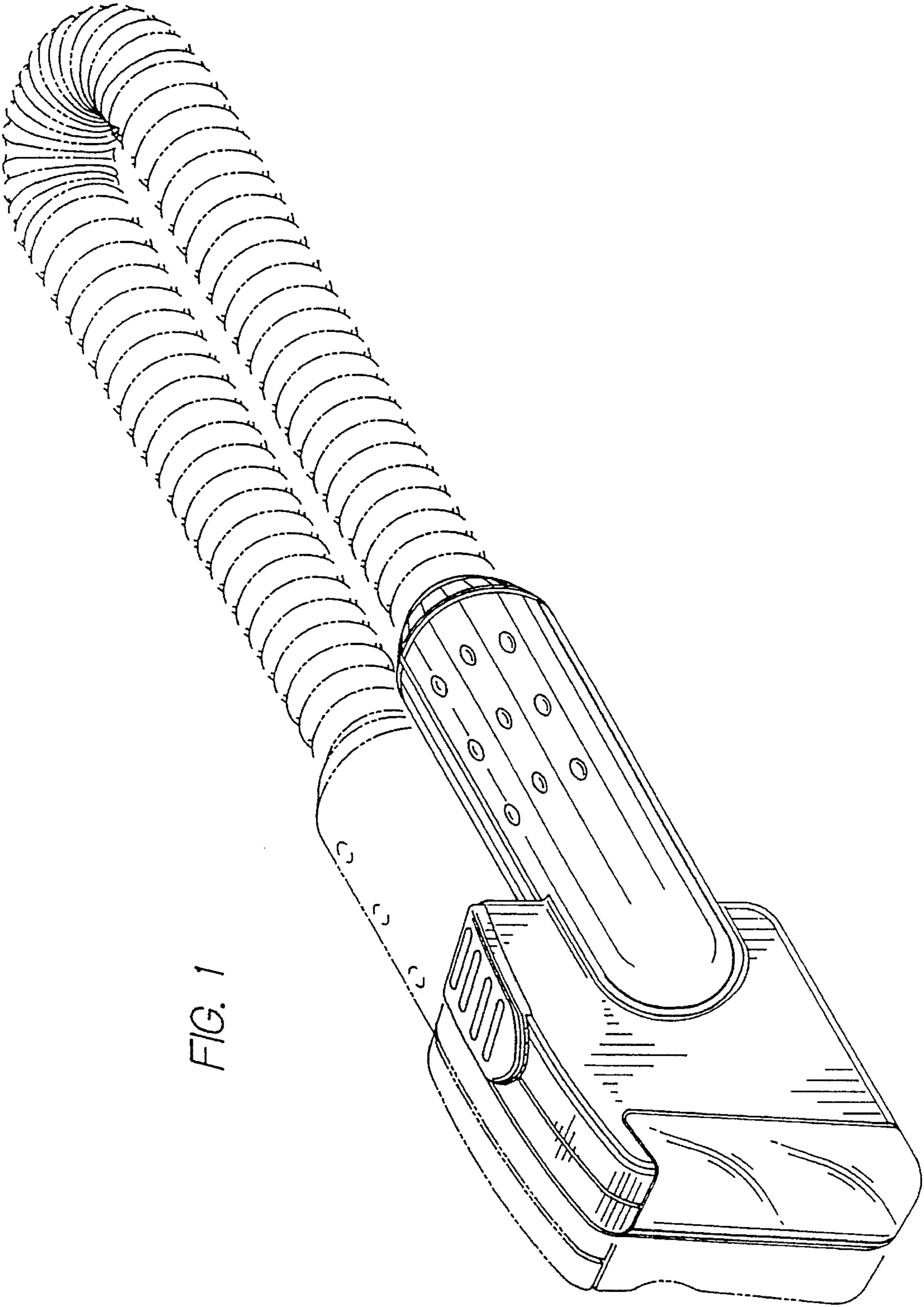


FIG. 1

FIG. 2

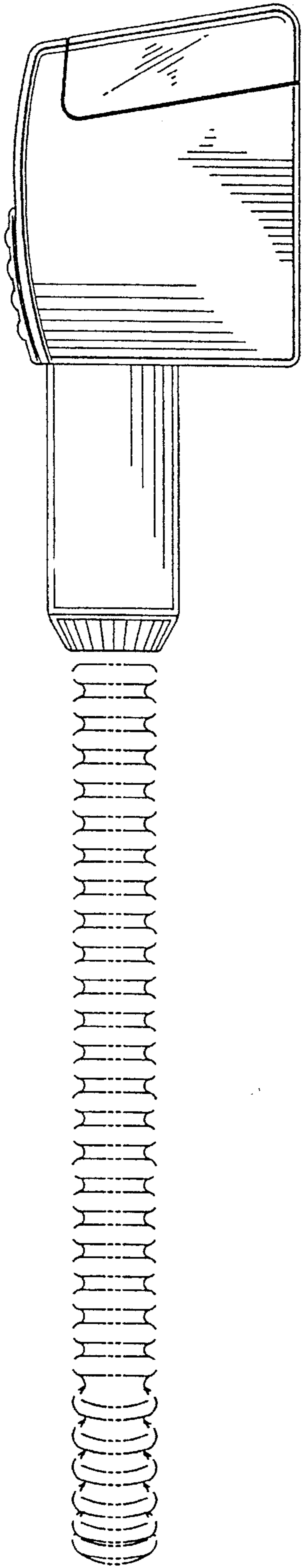


FIG. 3

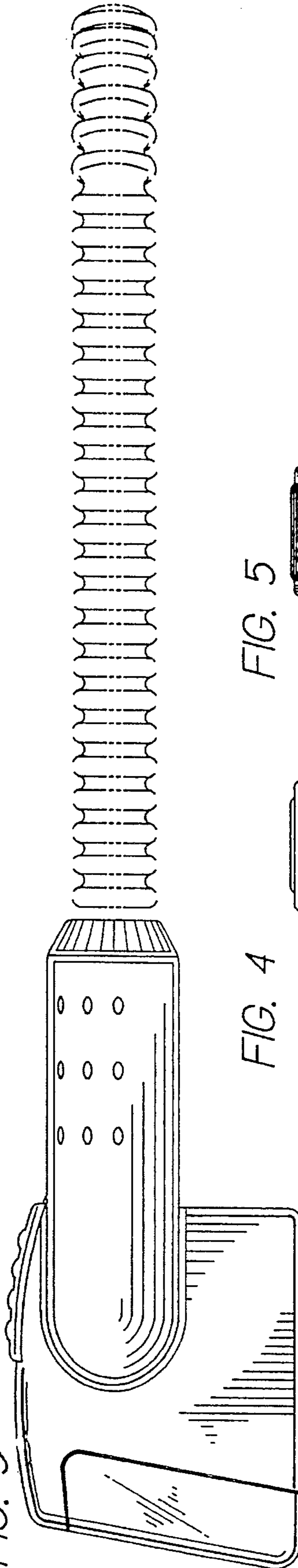


FIG. 4

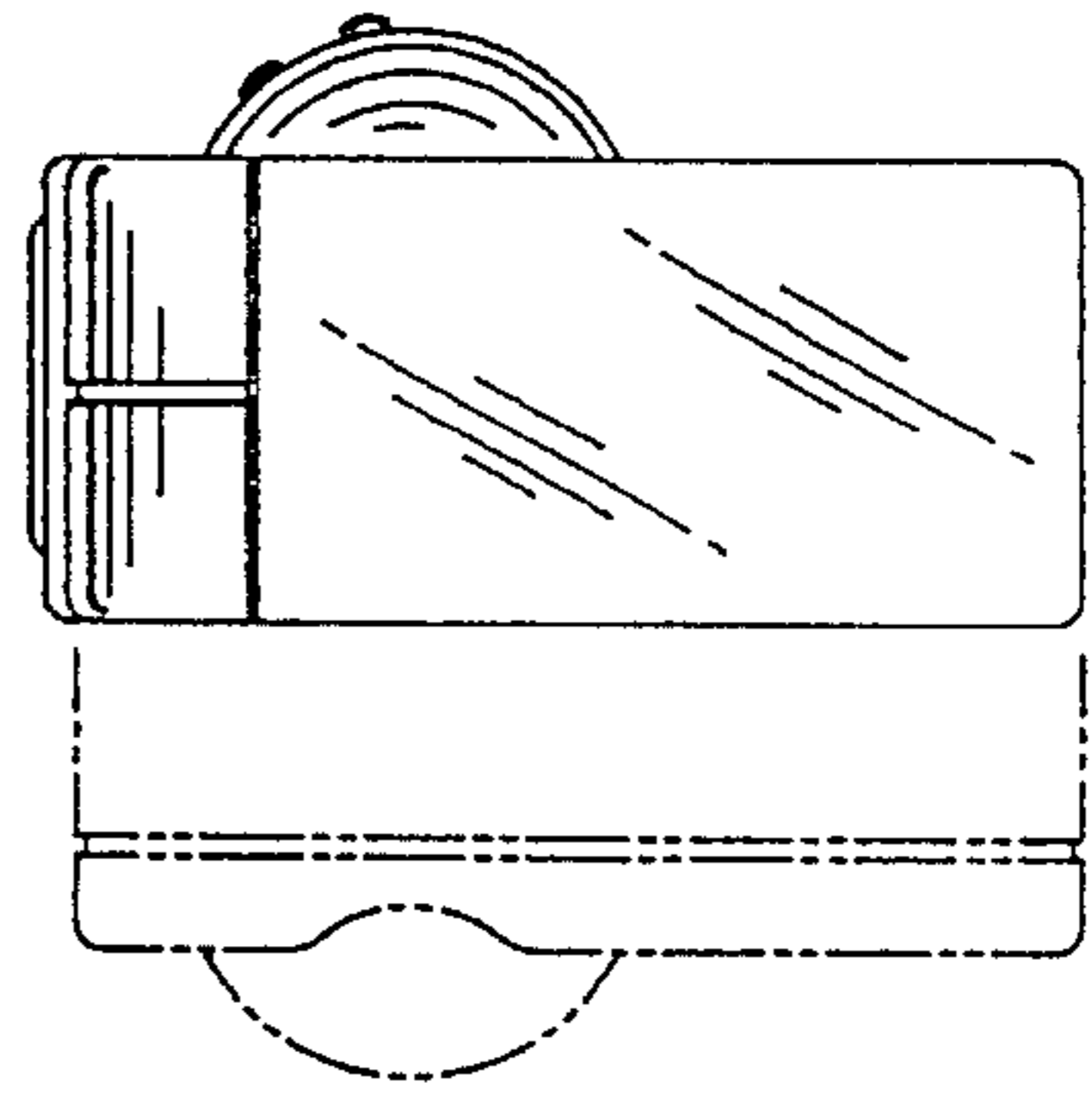
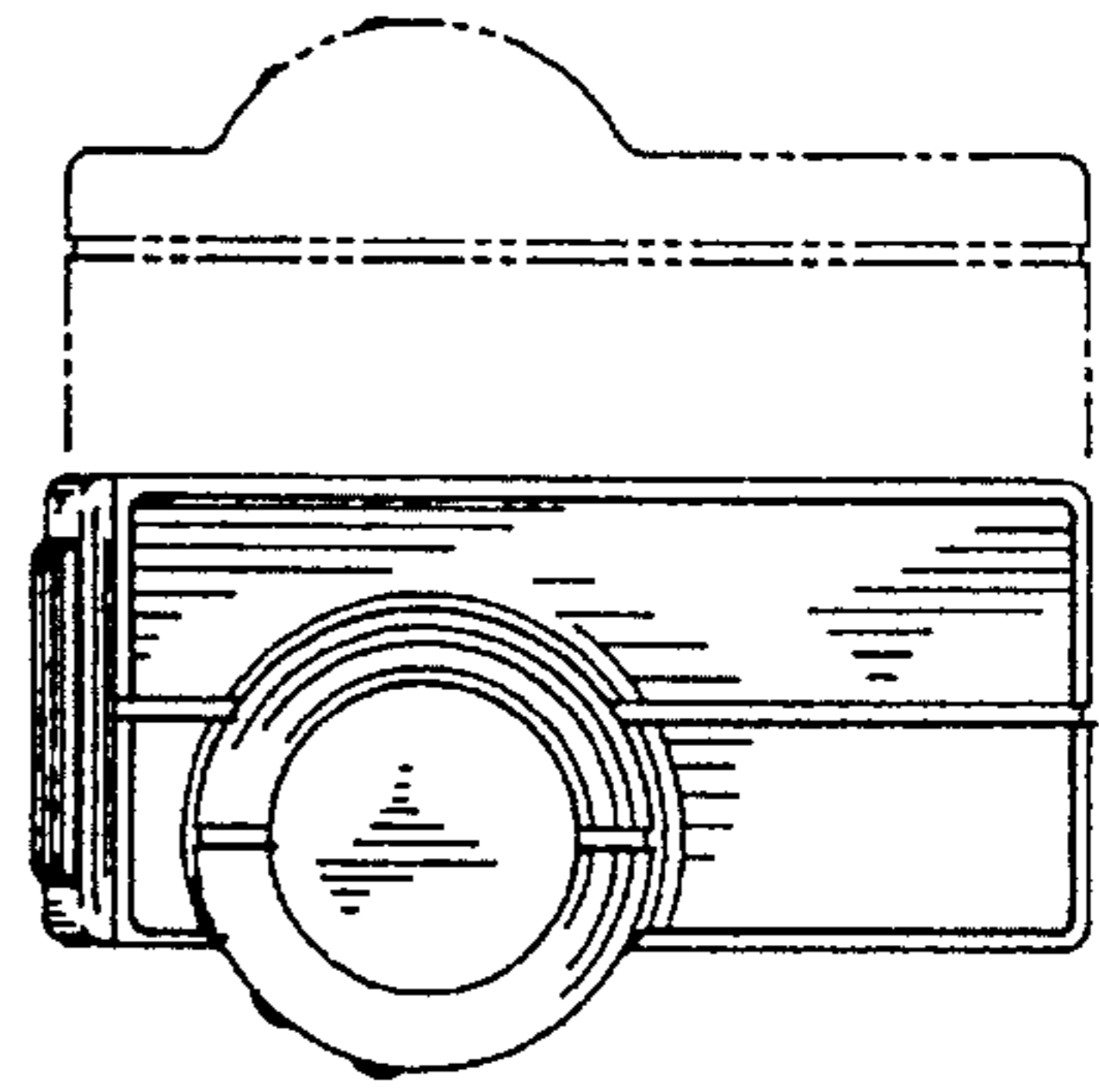


FIG. 5



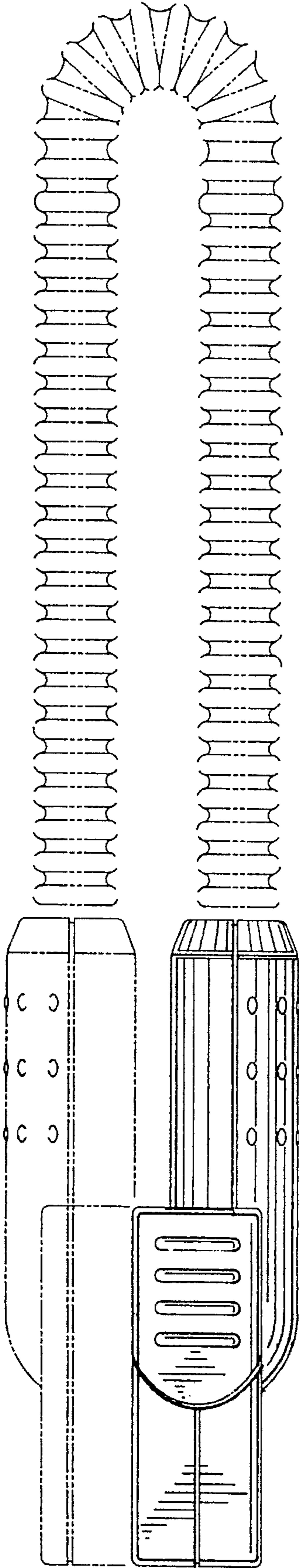


FIG. 6

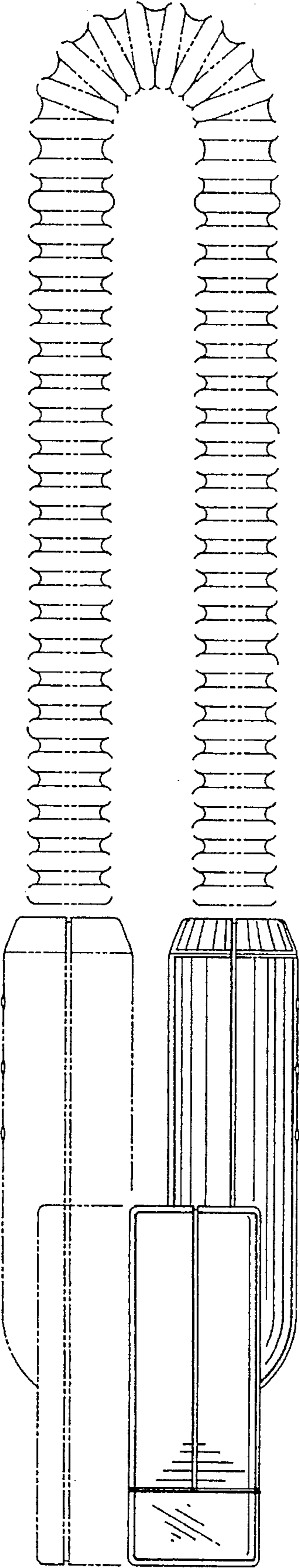


FIG. 7