



US00D371618S

United States Patent [19]
Nolan

[11] **Patent Number: Des. 371,618**
[45] **Date of Patent: **Jul. 9, 1996**

[54] **HEAD FOR A FLEXIBLE FLASHLIGHT**

3,111,277 11/1993 Grimsley D26/43 X

[75] Inventor: **Patrick B. Nolan**, Westport, Conn.

Primary Examiner—A. Hugo Word
Assistant Examiner—Lavone D. Tabor
Attorney, Agent, or Firm—Barry E. Deutsch

[73] Assignee: **Black & Decker Inc.**, Newark, Del.

[**] Term: **14 Years**

[57] **CLAIM**

[21] Appl. No.: **37,601**

The ornamental design for a head for a flexible flashlight, as shown and described.

[22] Filed: **Apr. 17, 1995**

DESCRIPTION

[52] **U.S. Cl.** **D26/43**

[58] **Field of Search** D26/37-38, 43,
D26/44, 46, 49, 60, 62; 362/157, 158, 184,
188, 189, 191, 198, 199, 200, 202, 362,
396

FIG. 1 is a perspective view taken from the front, right and top of a head for a flexible flashlight illustrating my new design, the portion shown in phantom is illustrative of a flexible core to which my new design may be attached; FIG. 2 is a right side elevational view thereof; FIG. 3 is a left side elevational view thereof; FIG. 4 is a front elevational view thereof; FIG. 5 is a rear elevational view thereof; FIG. 6 is a top plan view thereof; and, FIG. 7 is a bottom plan view thereof.

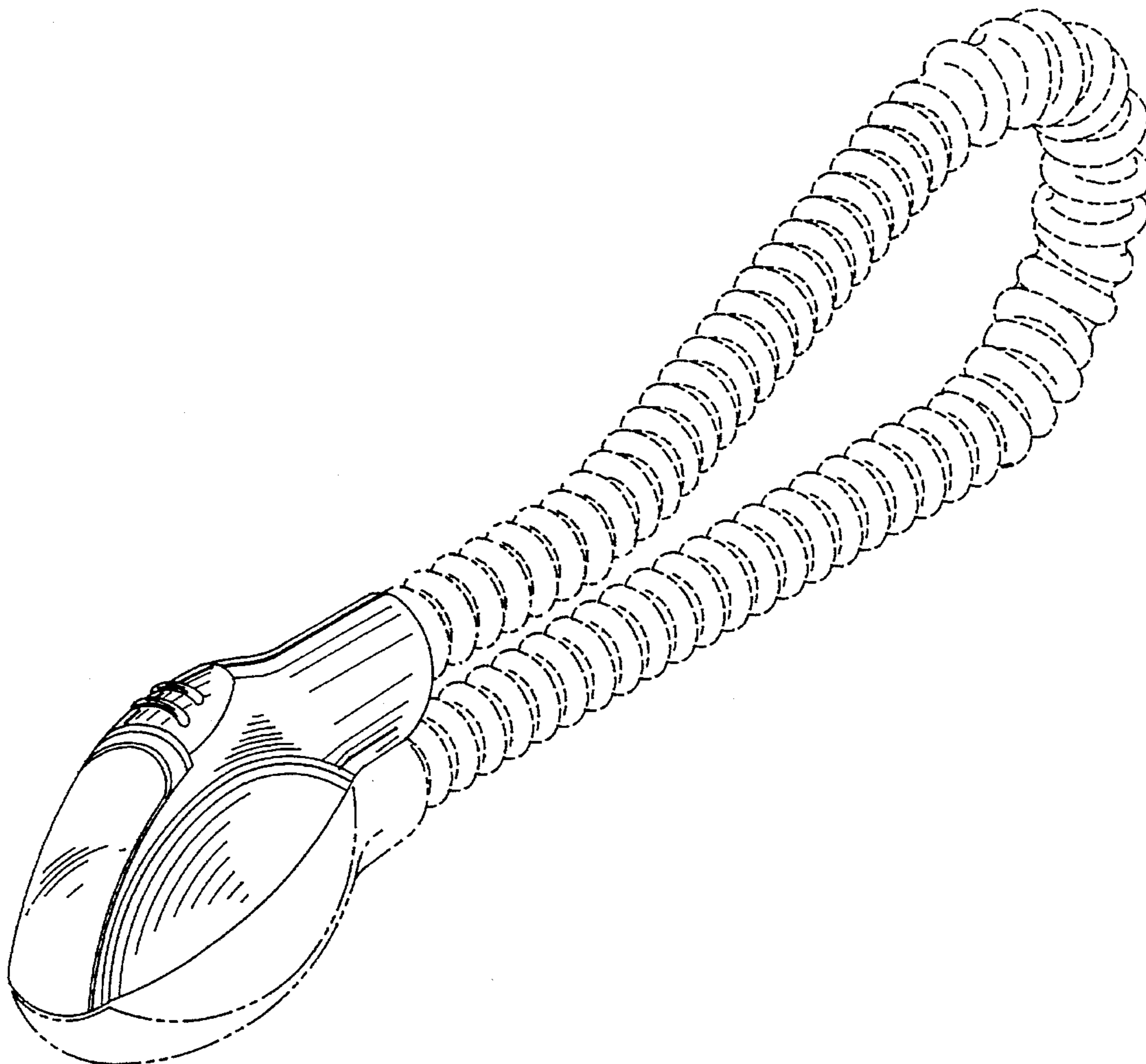
[56] **References Cited**

U.S. PATENT DOCUMENTS

D. 147,258	8/1947	Becker	D26/43
D. 166,073	3/1952	Dunkelberger	D26/43
D. 296,478	6/1988	Powell et al.	D26/49
D. 314,246	1/1991	Bache	D26/62
D. 323,403	1/1992	Sinrod	D26/38
D. 328,146	7/1992	Sinsteden	D26/49

The broken lines are for illustrative purposes only and form no part of the claimed design.

1 Claim, 3 Drawing Sheets



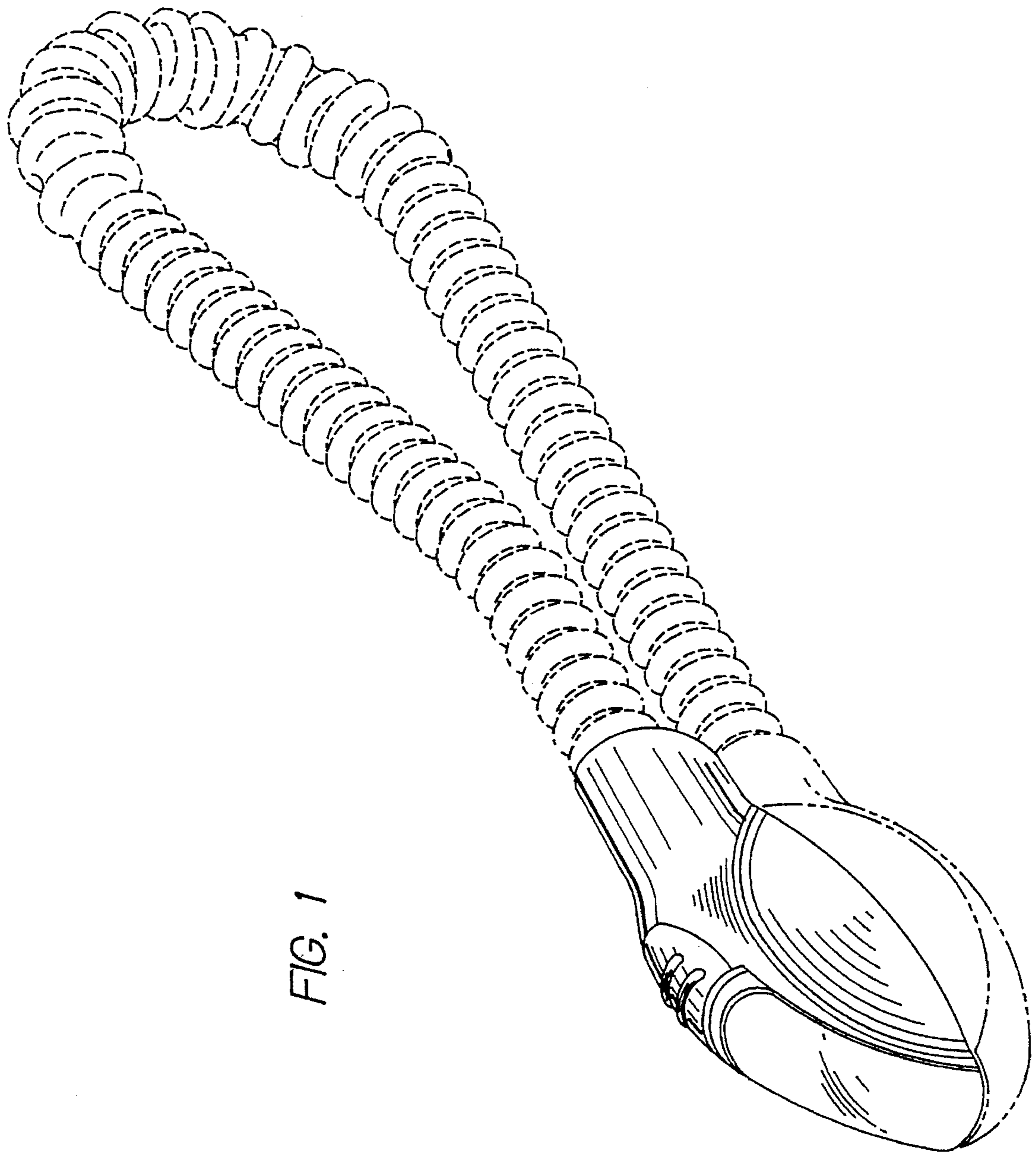


FIG. 1

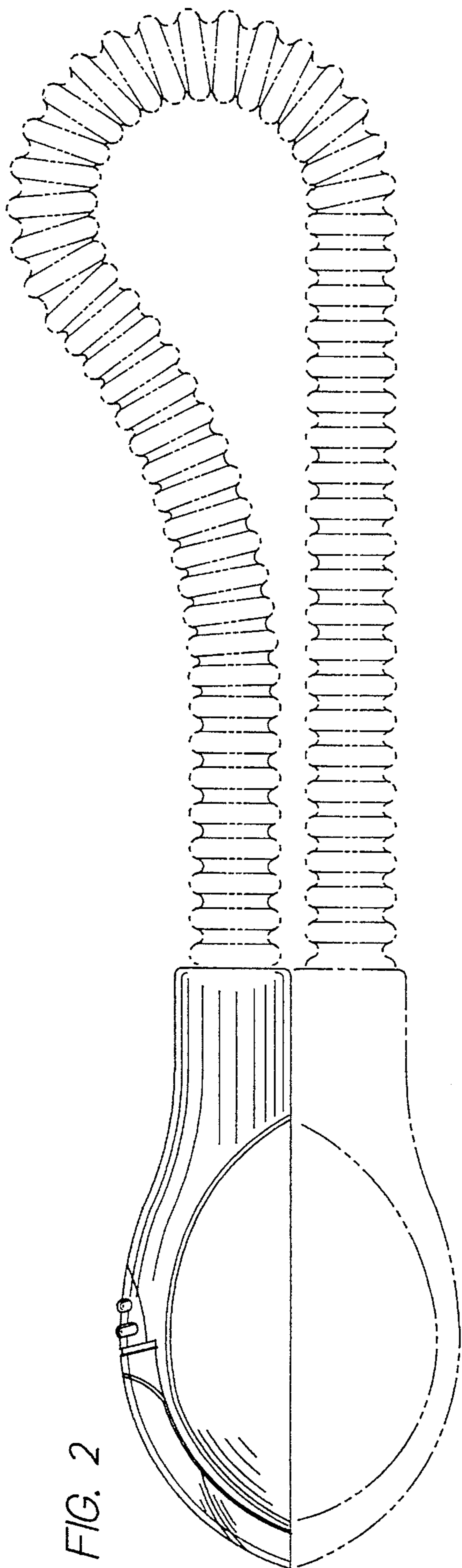


FIG. 2

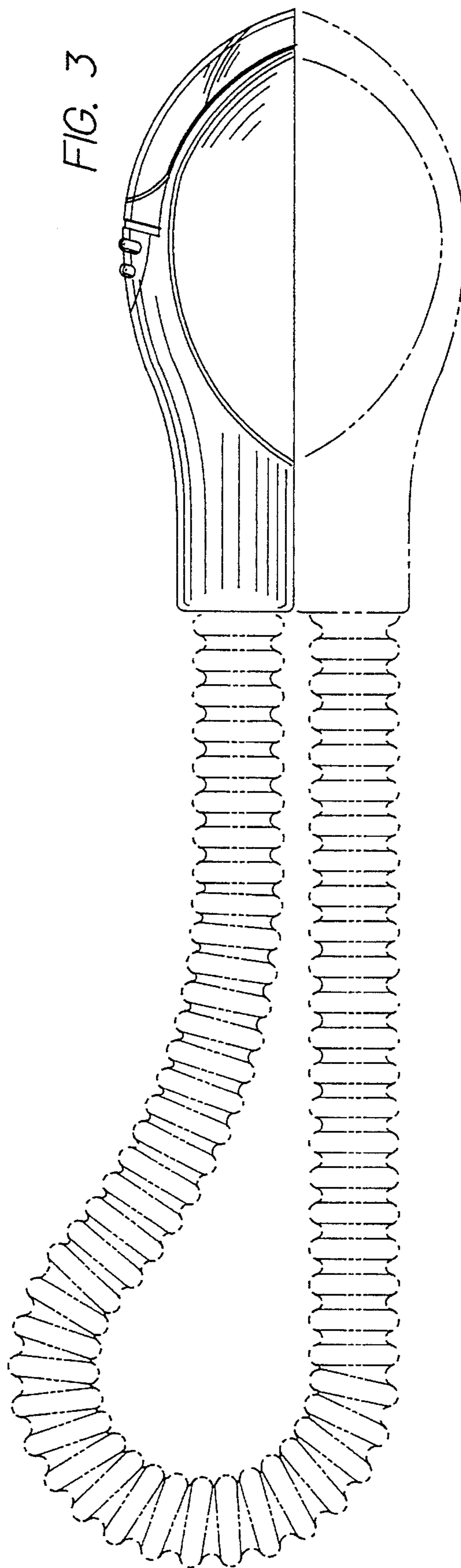


FIG. 3

FIG. 4

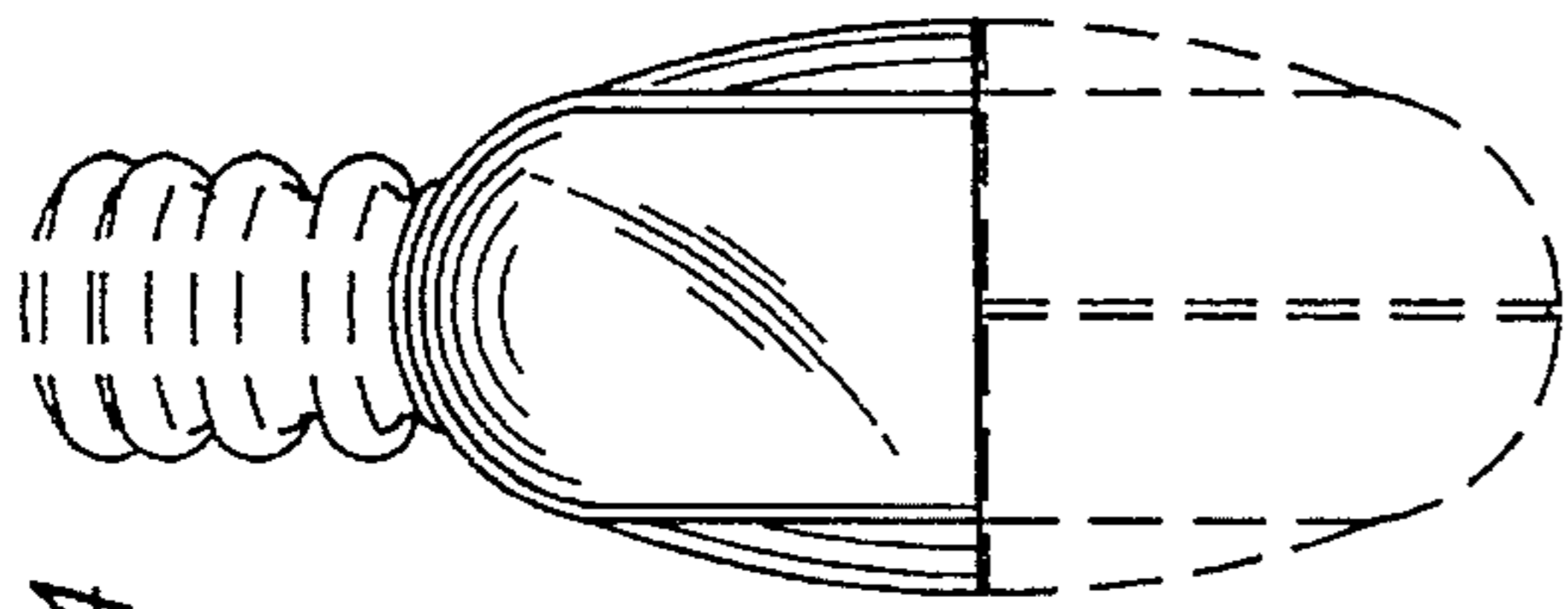


FIG. 5

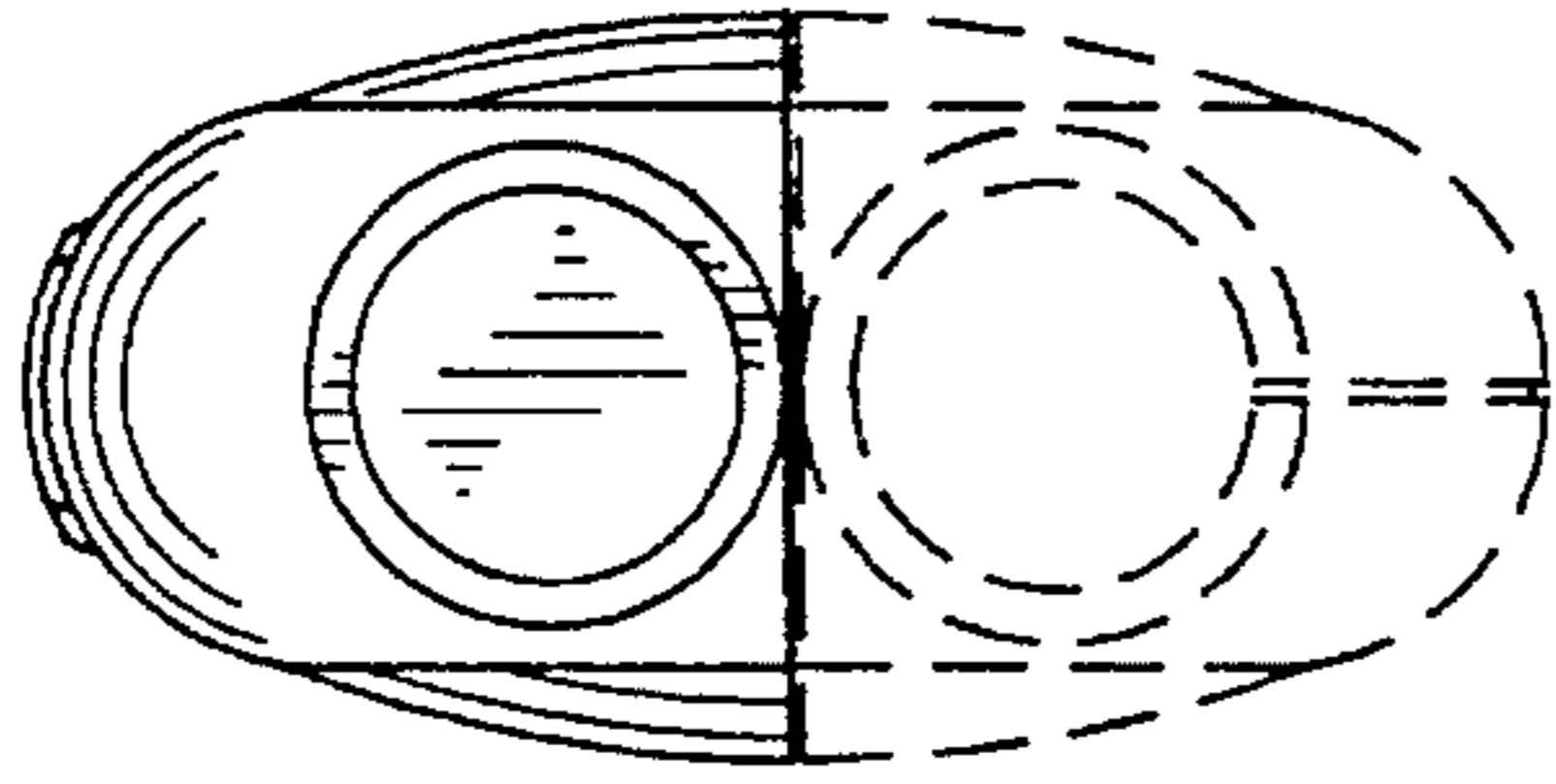


FIG. 6

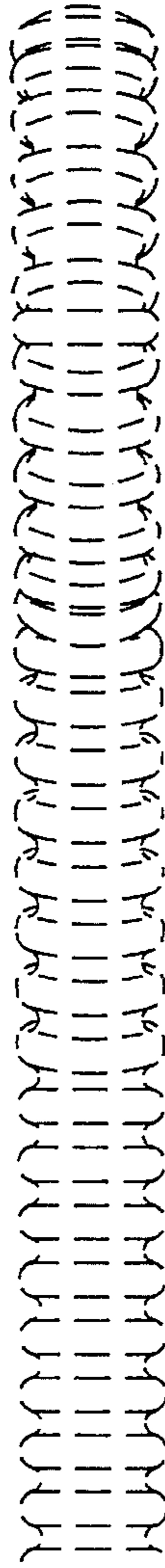
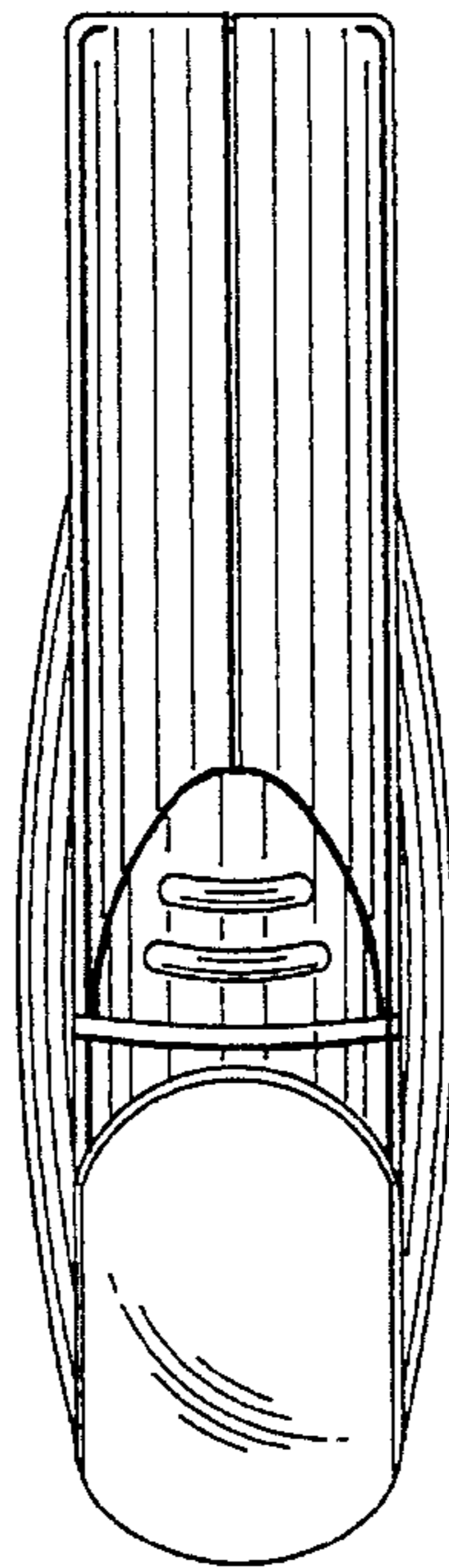


FIG. 7

