



US00D371616S

# United States Patent [19]

Porth et al.

[11] Patent Number: **Des. 371,616**

[45] Date of Patent: **\*\*Jul. 9, 1996**

[54] **COMBINED FLASHLIGHT AND DRIVER TOOL**

D. 308,809 6/1990 Kawabata ..... D26/38

[75] Inventors: **Christopher H. Porth**, Bloomington;  
**James S. Stanley**, Willowbrook, both  
of Ill.

*Primary Examiner*—Marcus A. Jackson  
*Attorney, Agent, or Firm*—Hill, Steadman & Simpson

[73] Assignee: **Wen Products, Inc.**, Naperville, Ill.

[57] **CLAIM**

[\*\*] Term: **14 Years**

The design for a combination flashlight and driver tool, as shown and described.

[21] Appl. No.: **36,540**

**DESCRIPTION**

[22] Filed: **Mar. 21, 1995**

[52] U.S. Cl. .... **D26/38**

[58] **Field of Search** ..... D26/37, 38, 46,  
D26/49; 362/157, 158, 183, 186, 202, 203,  
109, 119, 120

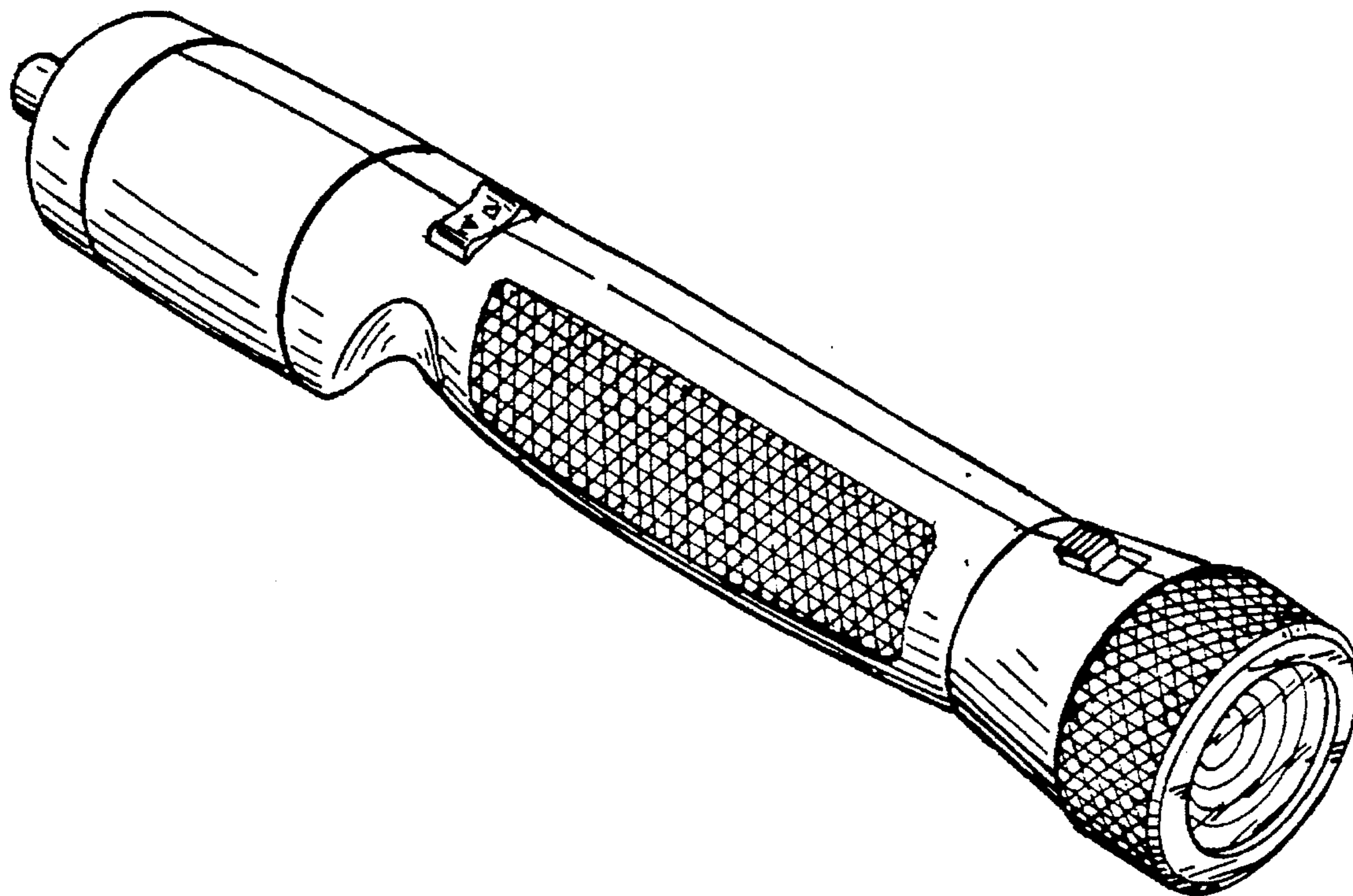
FIG. 1 is a front left hand perspective view of a combination flashlight and driver tool showing our new design;  
FIG. 2 is a top plan view thereof;  
FIG. 3 is a right side elevational view thereof;  
FIG. 4 is a front elevational view thereof;  
FIG. 5 is a left side elevational view thereof;  
FIG. 6 is a bottom plan view; and,  
FIG. 7 is a rear elevational view thereof.

[56] **References Cited**

**U.S. PATENT DOCUMENTS**

D. 197,757 3/1964 Nagamori ..... D26/38

**1 Claim, 2 Drawing Sheets**



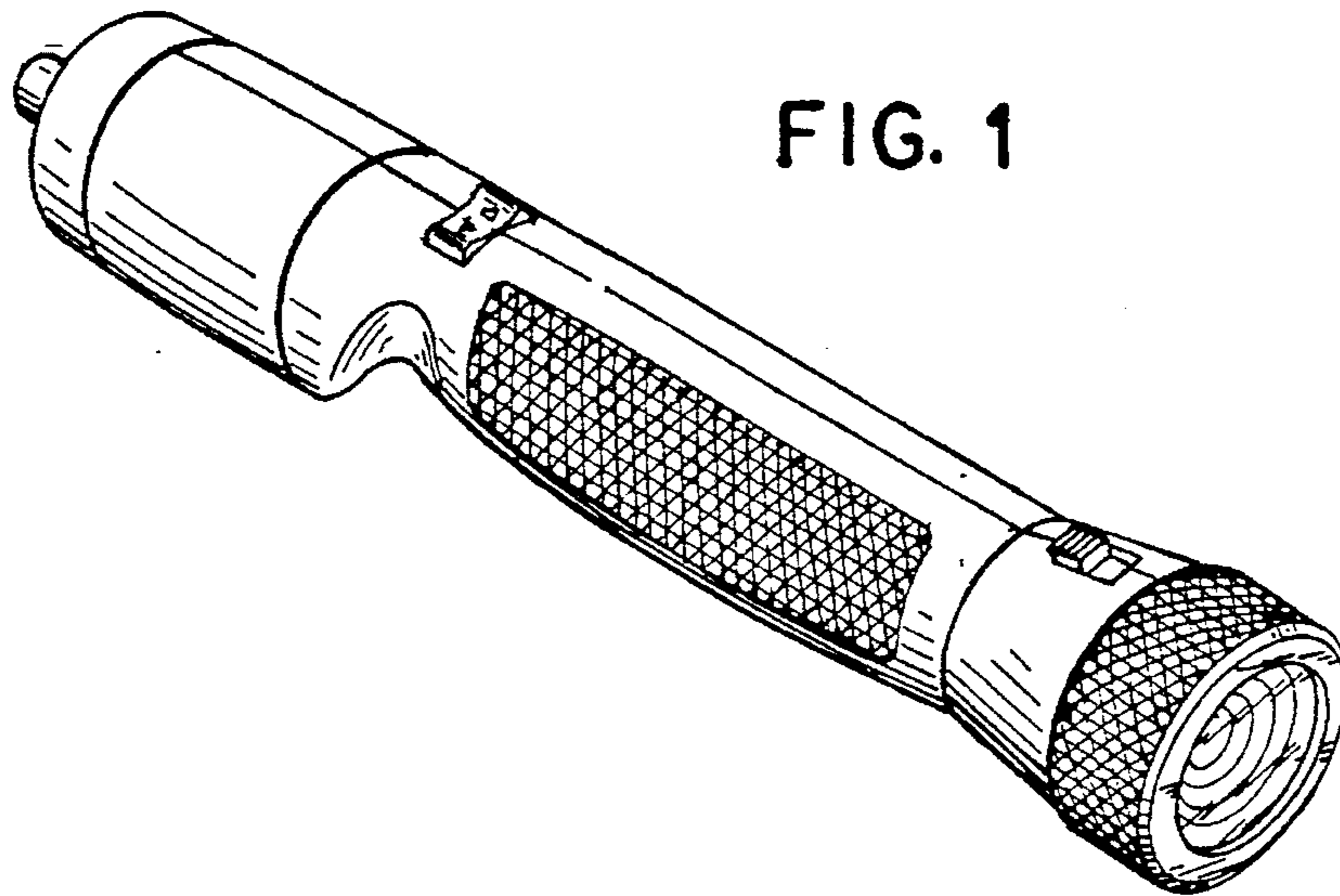


FIG. 2

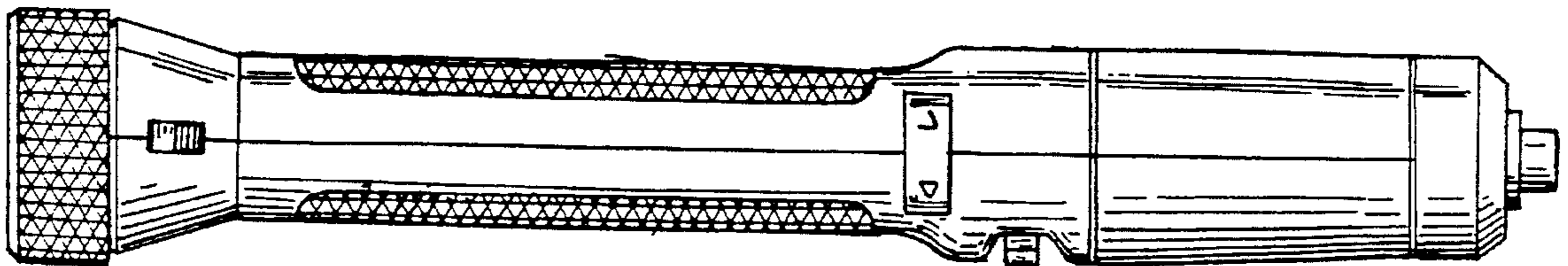


FIG. 3

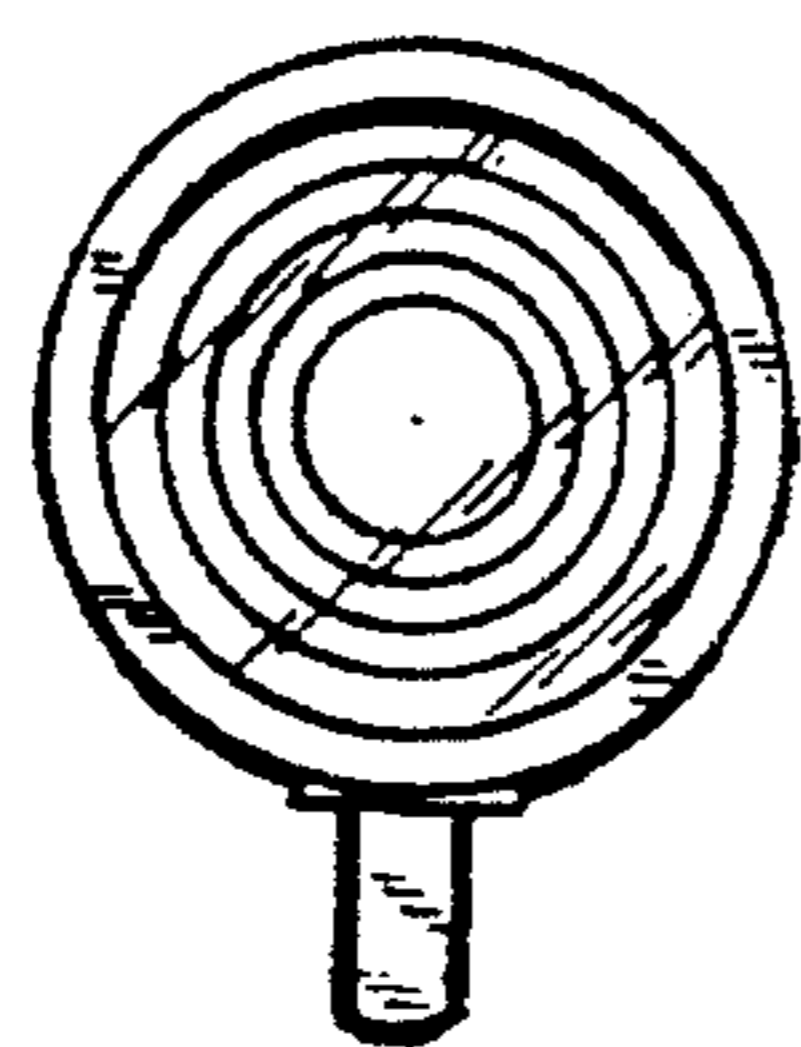
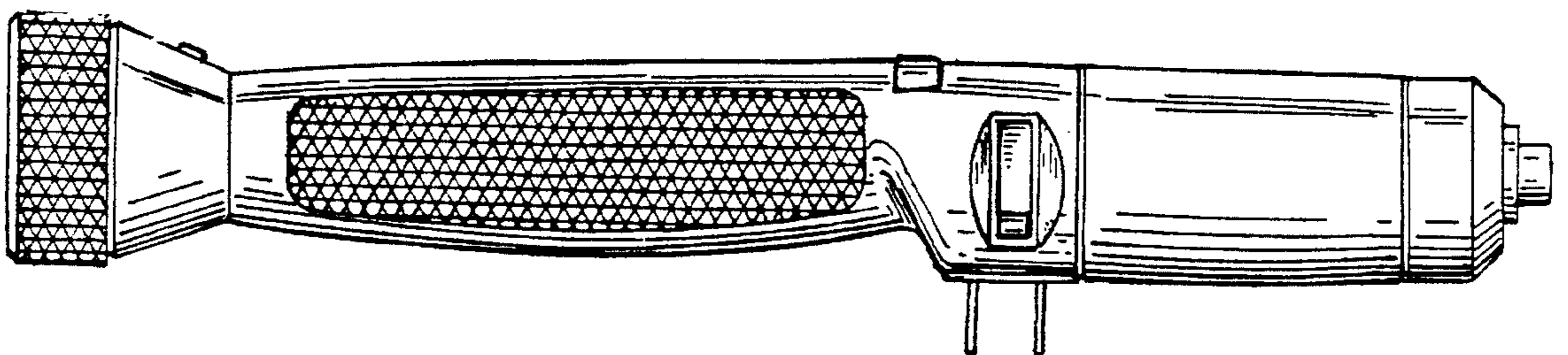


FIG. 4

FIG. 5

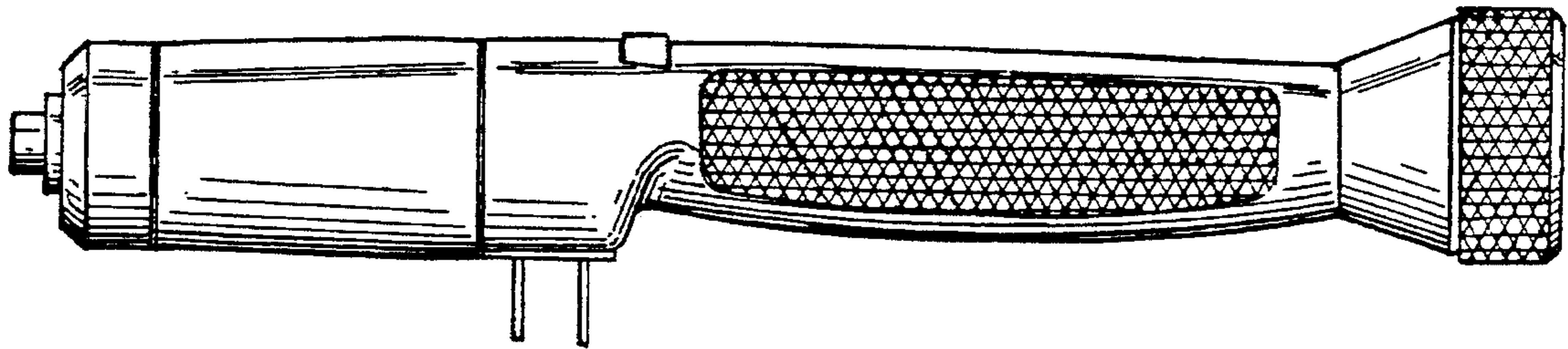


FIG. 6

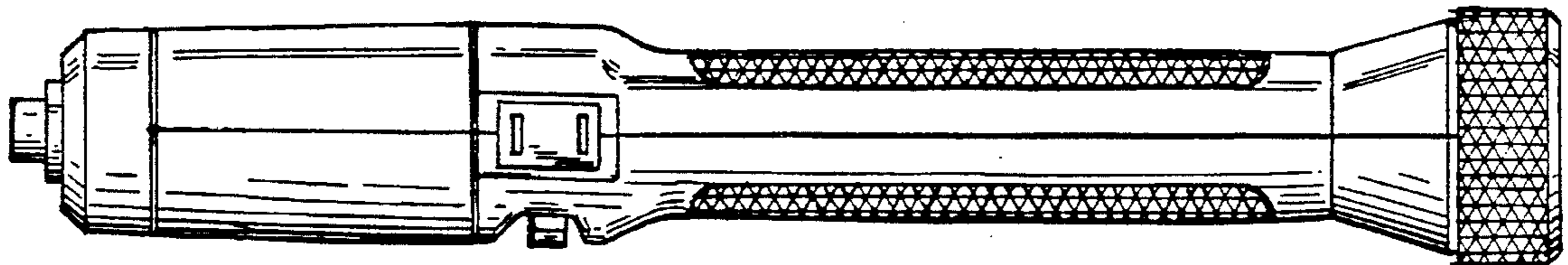


FIG. 7

