



US00D371615S

United States Patent [19]
Lai

[11] **Patent Number: Des. 371,615**
[45] **Date of Patent: *** Jul. 9, 1996**

[54] **LAMP**

D. 344,148 2/1994 Yuen D26/28
D. 346,231 4/1994 Zai D26/28

[76] Inventor: **Ming Y. Lai**, Flat A, 2nd Floor, Block 17, Provident Centre, North Point, Hong Kong

Primary Examiner—Marcus A. Jackson
Attorney, Agent, or Firm—Gunn, Lee & Miller

[*] Notice: The portion of the term of this patent subsequent to Jul. 9, 2010, has been disclaimed.

[57] **CLAIM**

The ornamental design for a lamp, as shown and described.

[**] Term: **14 Years**

DESCRIPTION

[21] Appl. No.: **23,135**

FIG. 1 is a front and left side perspective view from one end of a lamp showing my new design;

[22] Filed: **May 18, 1994**

FIG. 2 is a front elevational view thereof;

[30] **Foreign Application Priority Data**

Nov. 30, 1993 [GB] United Kingdom 2035568

[52] **U.S. Cl.** **D26/28**

FIG. 3 is a right side elevational view thereof (left side corresponds), with the bracket portion omitted for clarity of illustration;

[58] **Field of Search** D26/28-37, 38-50;
362/61, 73, 157, 158, 183-202; 340/432

FIG. 4 is a rear elevational view thereof;

[56] **References Cited**

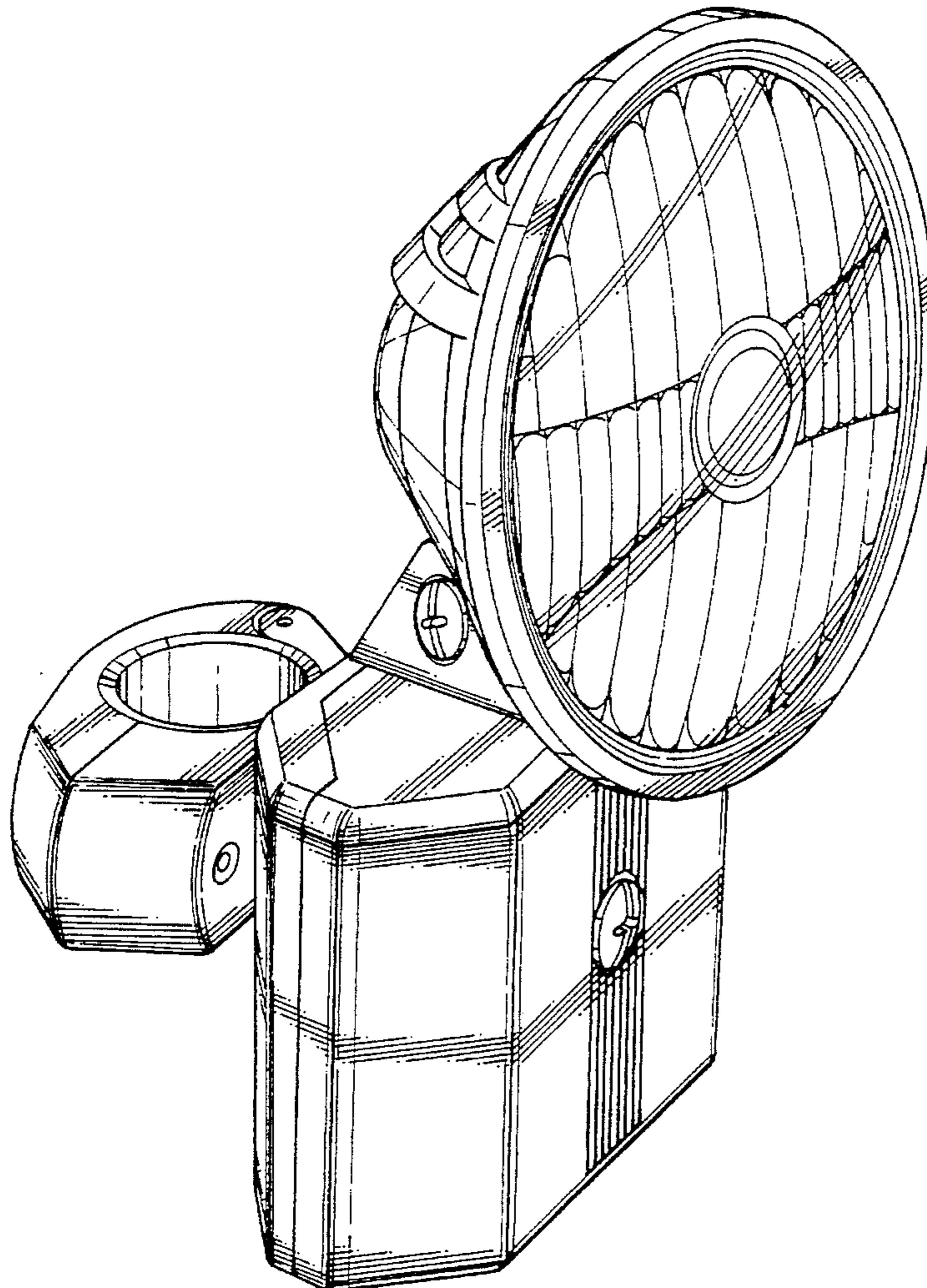
FIG. 5 is an elevational view of one end thereof; and,

FIG. 6 is an elevational view of opposite end thereof.

U.S. PATENT DOCUMENTS

D. 295,324 4/1988 Drane D26/28

1 Claim, 3 Drawing Sheets



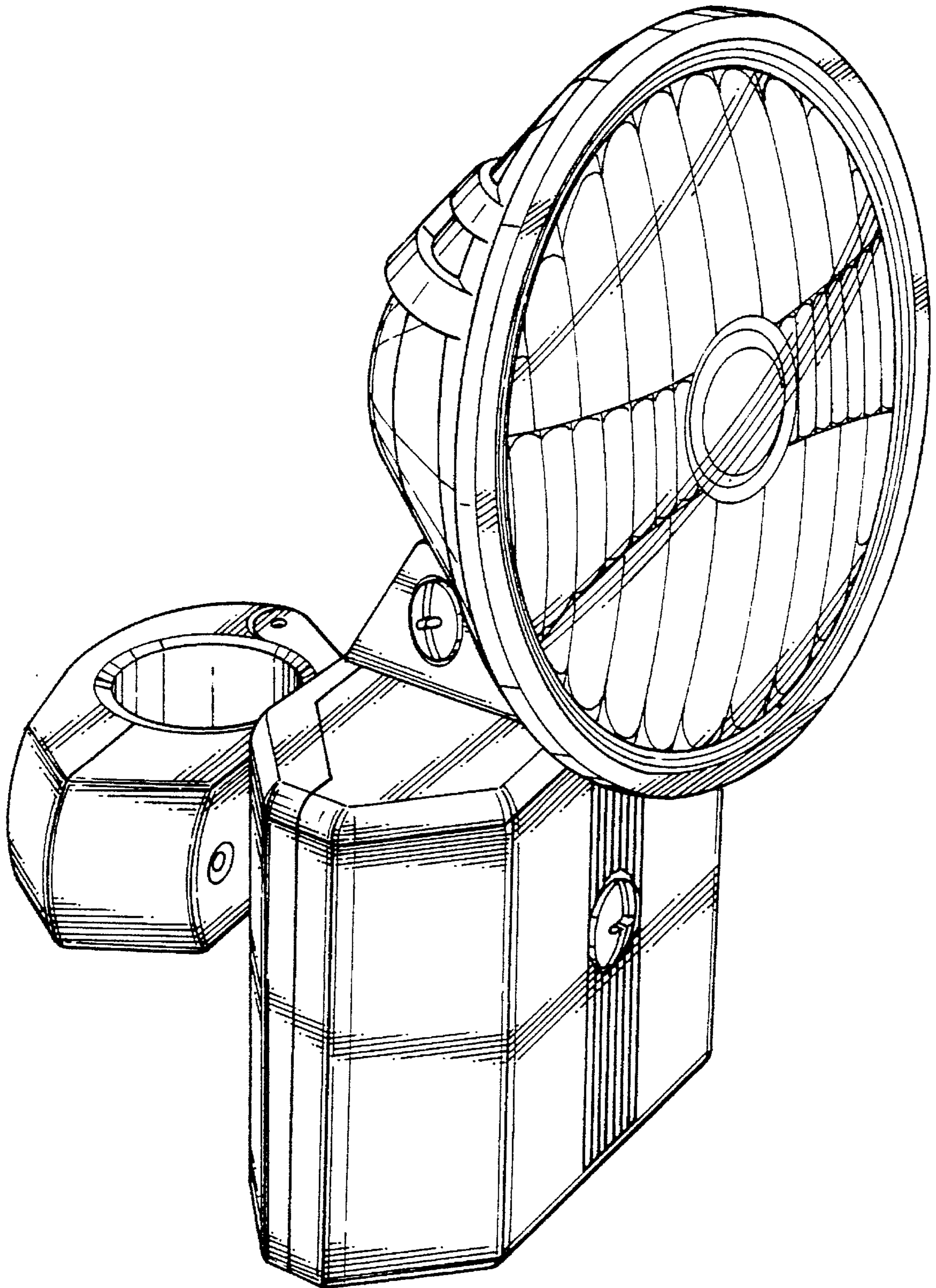


FIG. 1

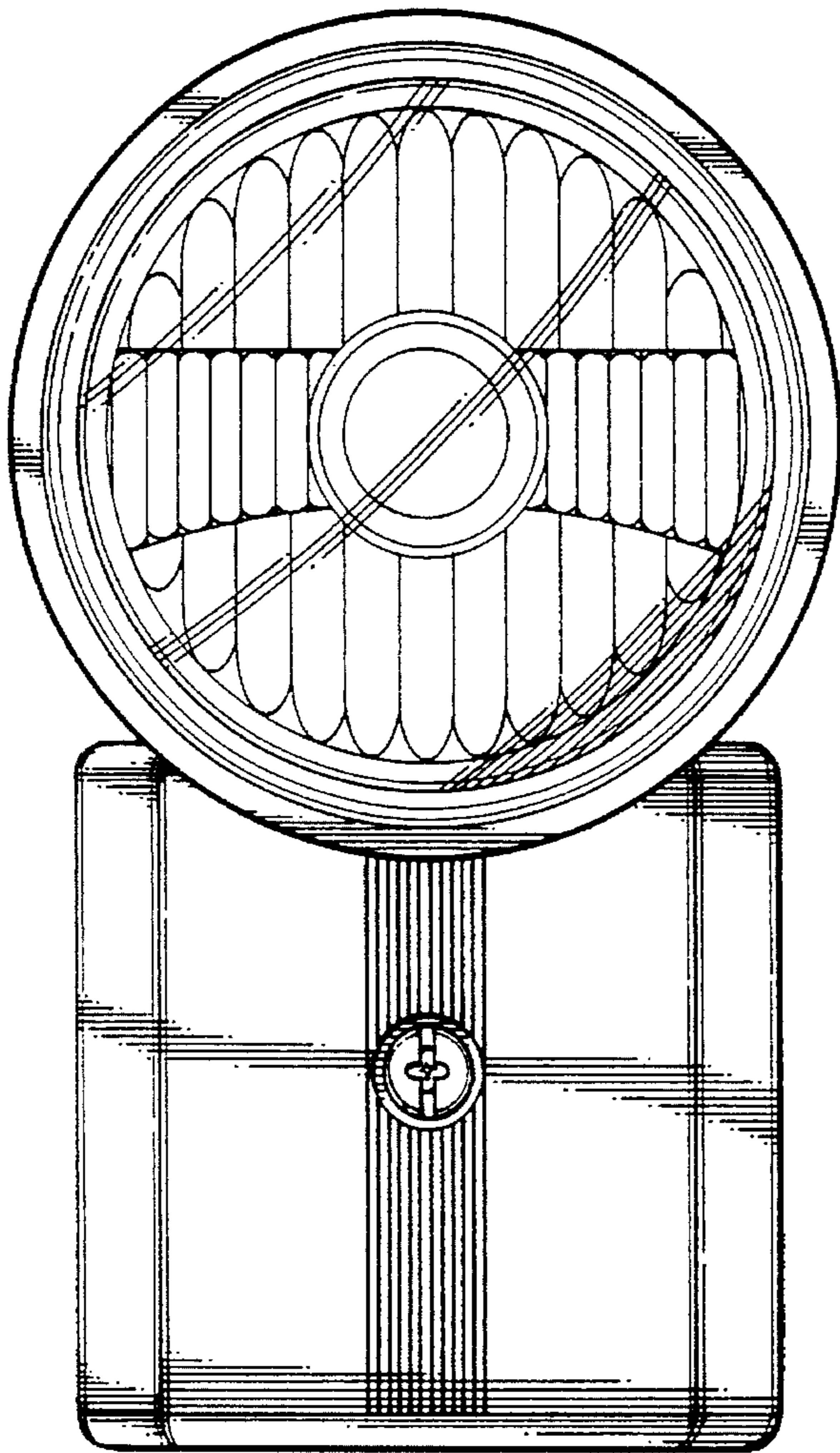


FIG. 2

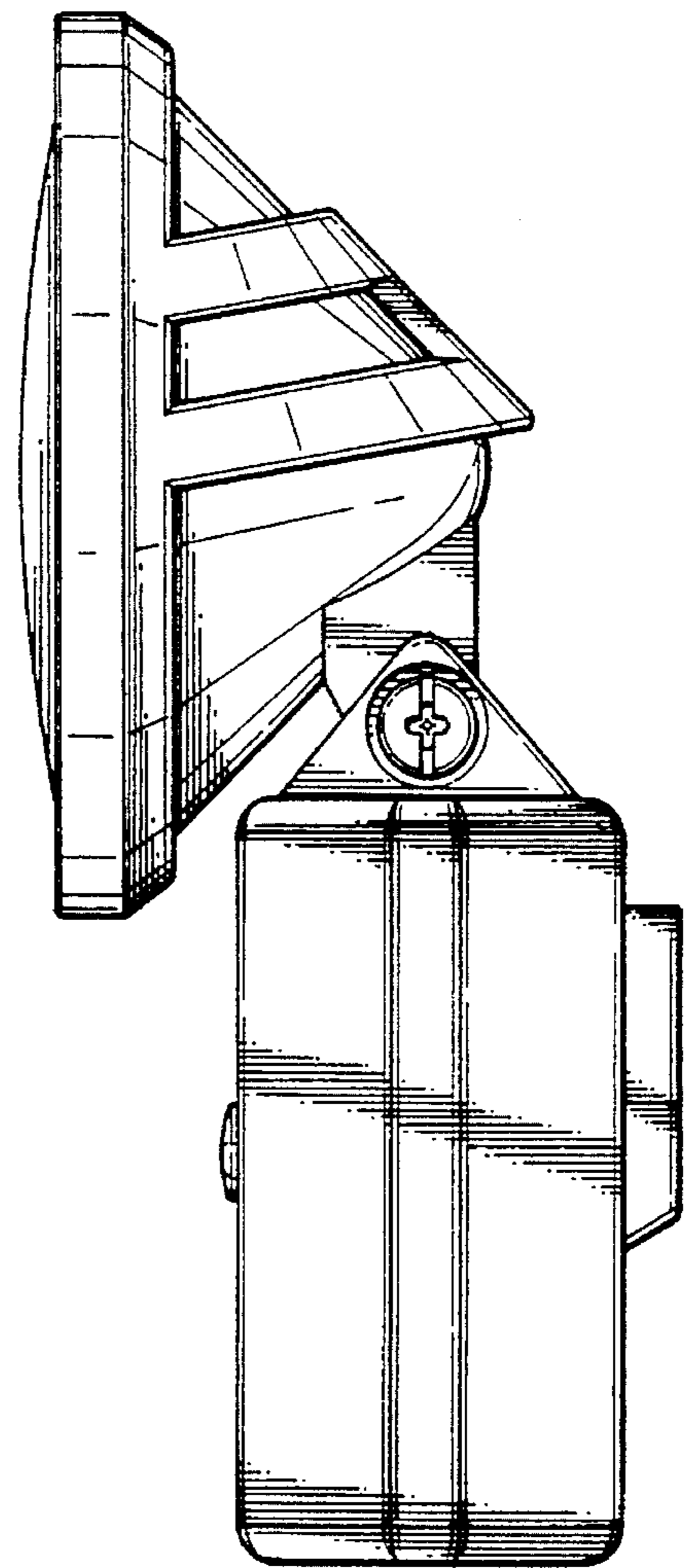


FIG. 3

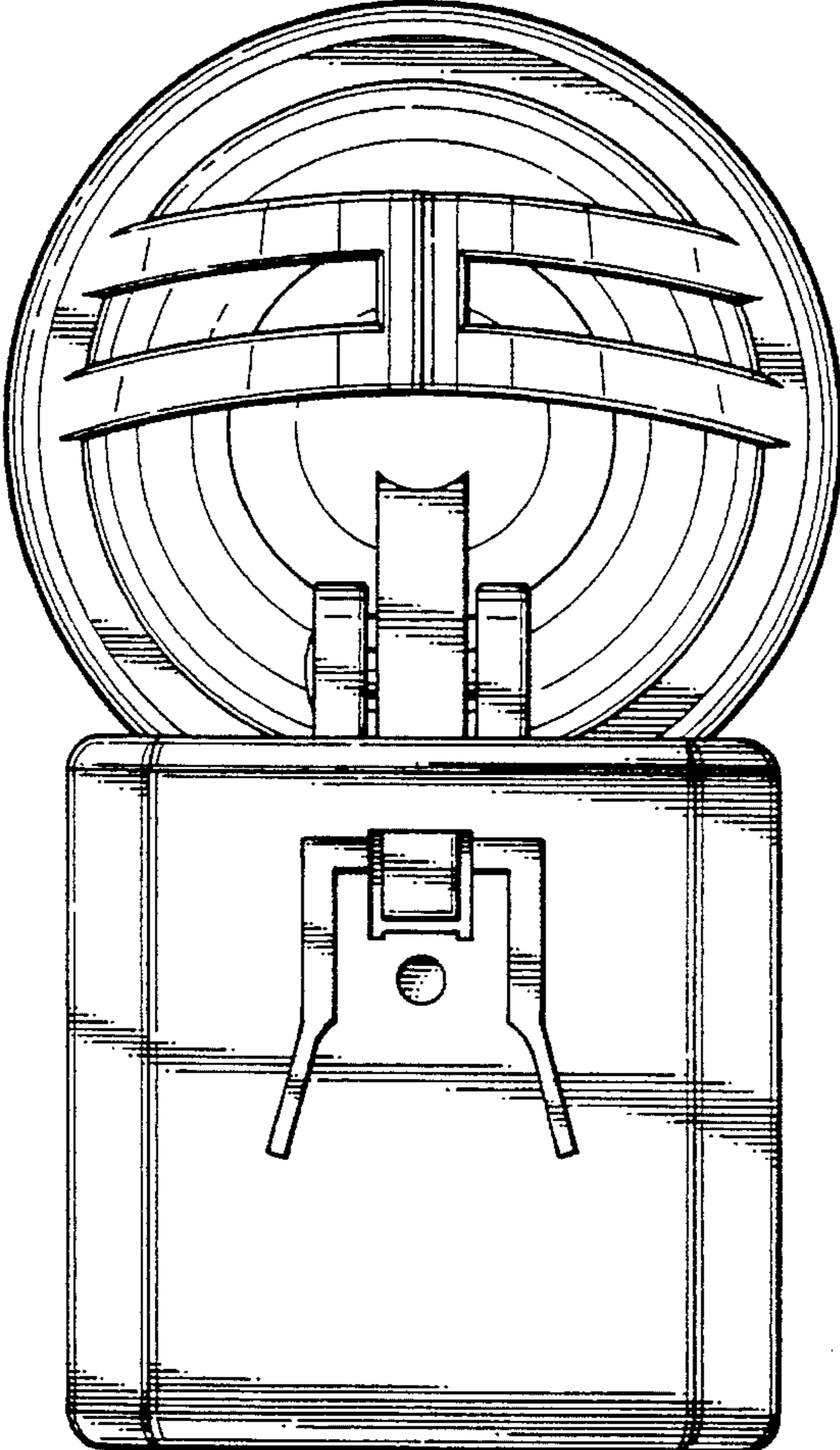


FIG. 4

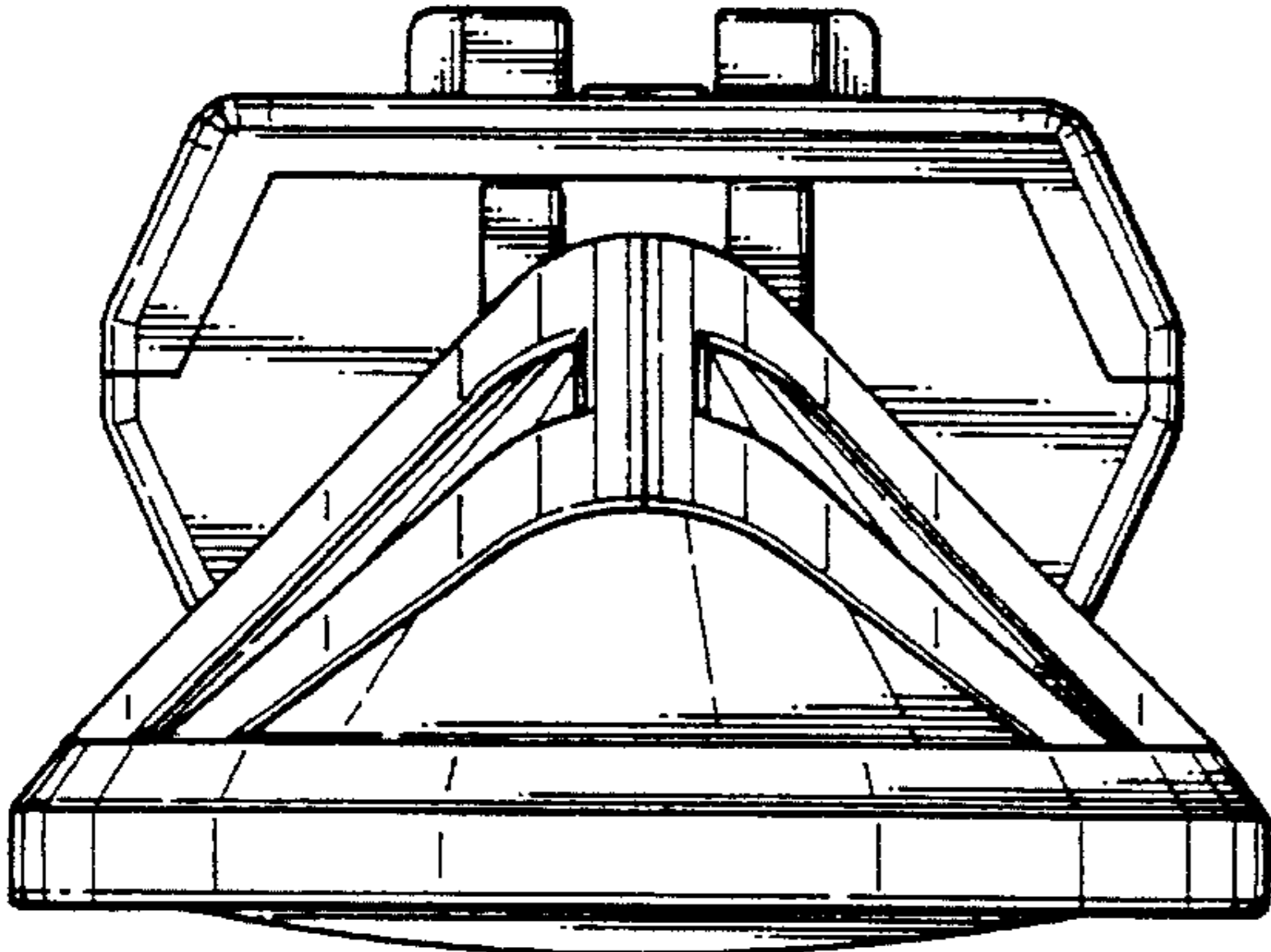


FIG. 5

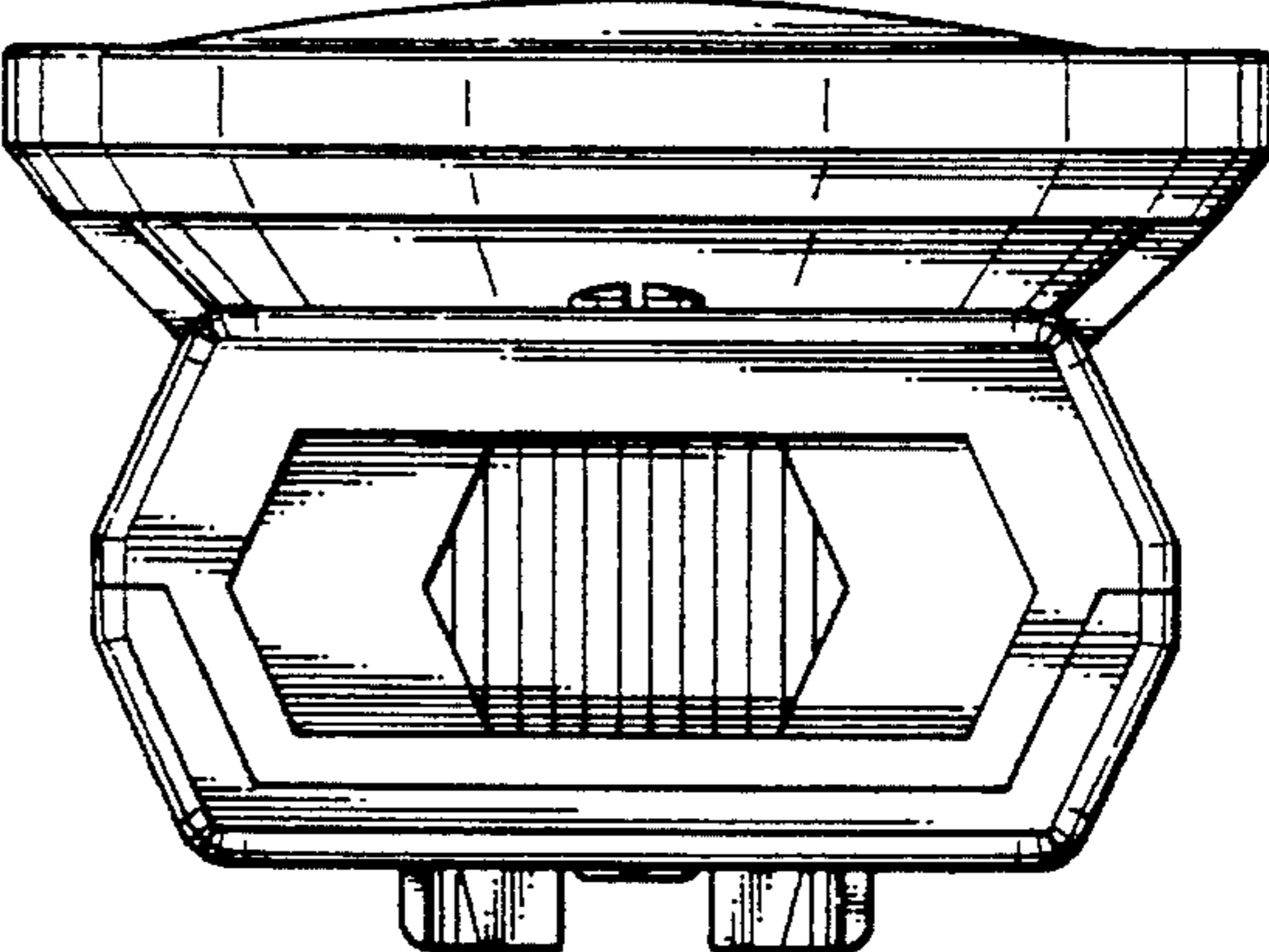


FIG. 6