



US00D371614S

**United States Patent** [19]  
**Lai**

[11] **Patent Number: Des. 371,614**

[45] **Date of Patent: \*\*Jul. 9, 1996**

[54] **LAMP**

[76] Inventor: **Ming Y. Lai**, Flat A, 2nd Fl., Block 17,  
Provident Centre, North Point, Hong  
Kong

[\*\*] Term: **14 Years**

[21] Appl. No.: **23,017**

[22] Filed: **May 17, 1994**

[30] **Foreign Application Priority Data**

Nov. 30, 1993 [GB] United Kingdom ..... 2035567

[52] **U.S. Cl.** ..... **D26/28**

[58] **Field of Search** ..... D26/28-37, 38-50;  
362/61, 73, 157, 158, 183-202; 340/432

[56] **References Cited**

**U.S. PATENT DOCUMENTS**

D. 295,324	4/1988	Diane	.....	D26/28
D. 344,148	2/1994	Yuen	.....	D26/28
D. 346,231	4/1994	Zai	.....	D26/28

*Primary Examiner*—Marcus A. Jackson  
*Attorney, Agent, or Firm*—Gunn, Lee & Miller

[57] **CLAIM**

The ornamental design for a lamp, as shown and described.

**DESCRIPTION**

FIG. 1 is a front and right side perspective view from one end of a lamp showing my new design;

FIG. 2 is a rear elevational view thereof, with its head facing rearward, with the clamp holder omitted for clarity of illustration only;

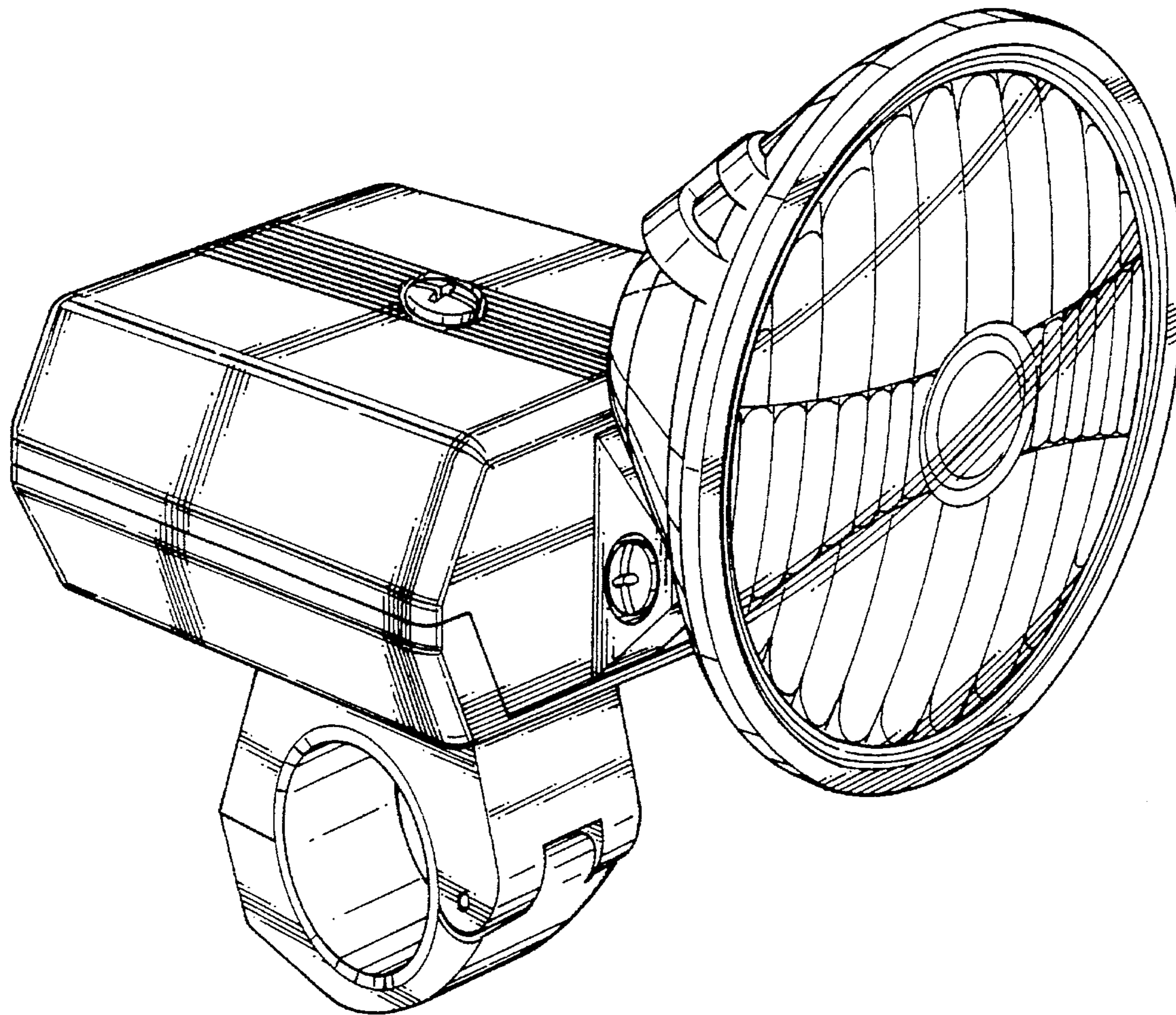
FIG. 3 is a left side elevational view thereof, with its head facing rearward (right side corresponds);

FIG. 4 is a front elevational view thereof, with its head facing rearward;

FIG. 5 is an elevational view of one end thereof, with its head facing rearward; and,

FIG. 6 is an elevational view of opposite end thereof, with its head facing rearward.

**1 Claim, 3 Drawing Sheets**



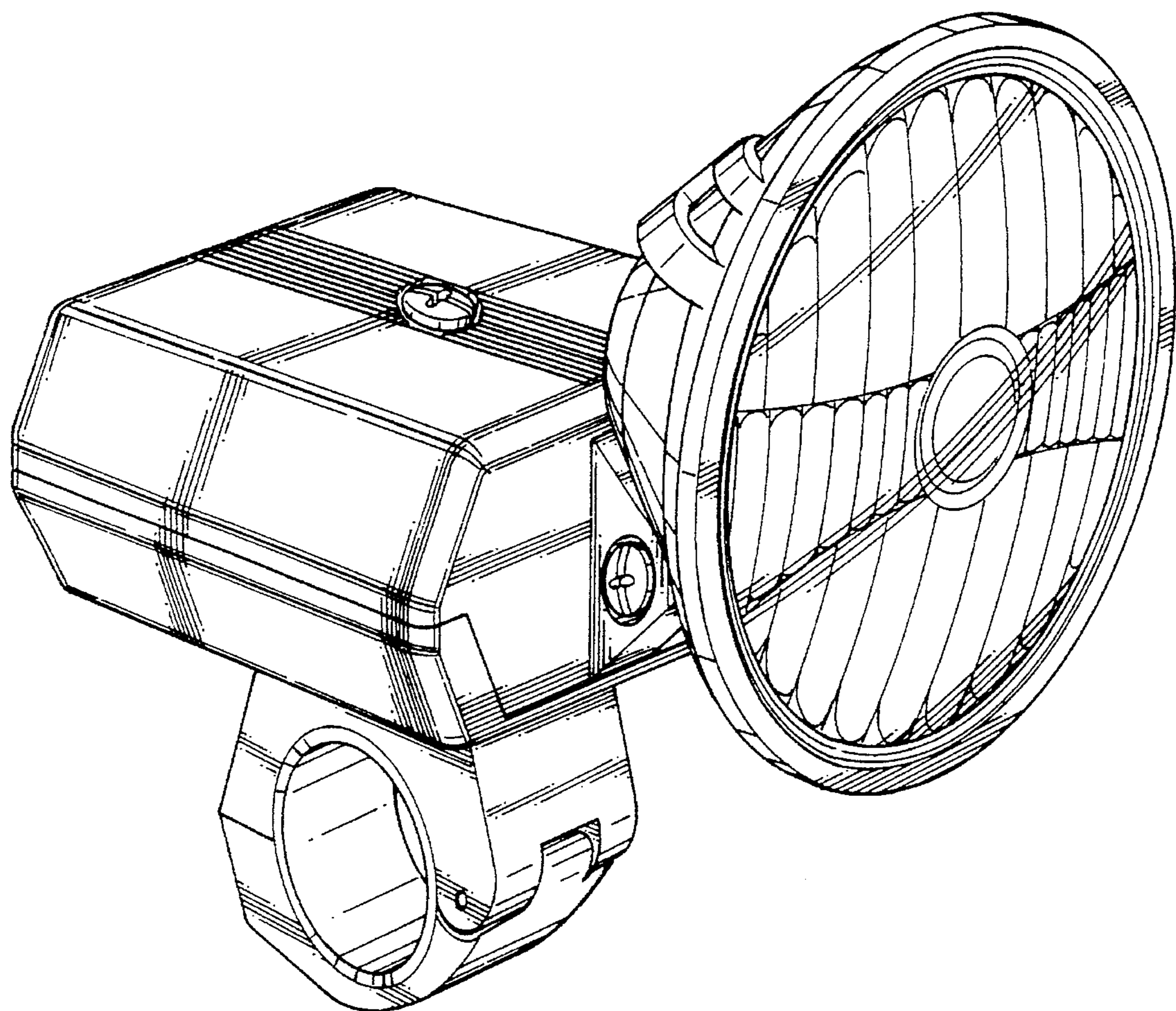


FIG. 1



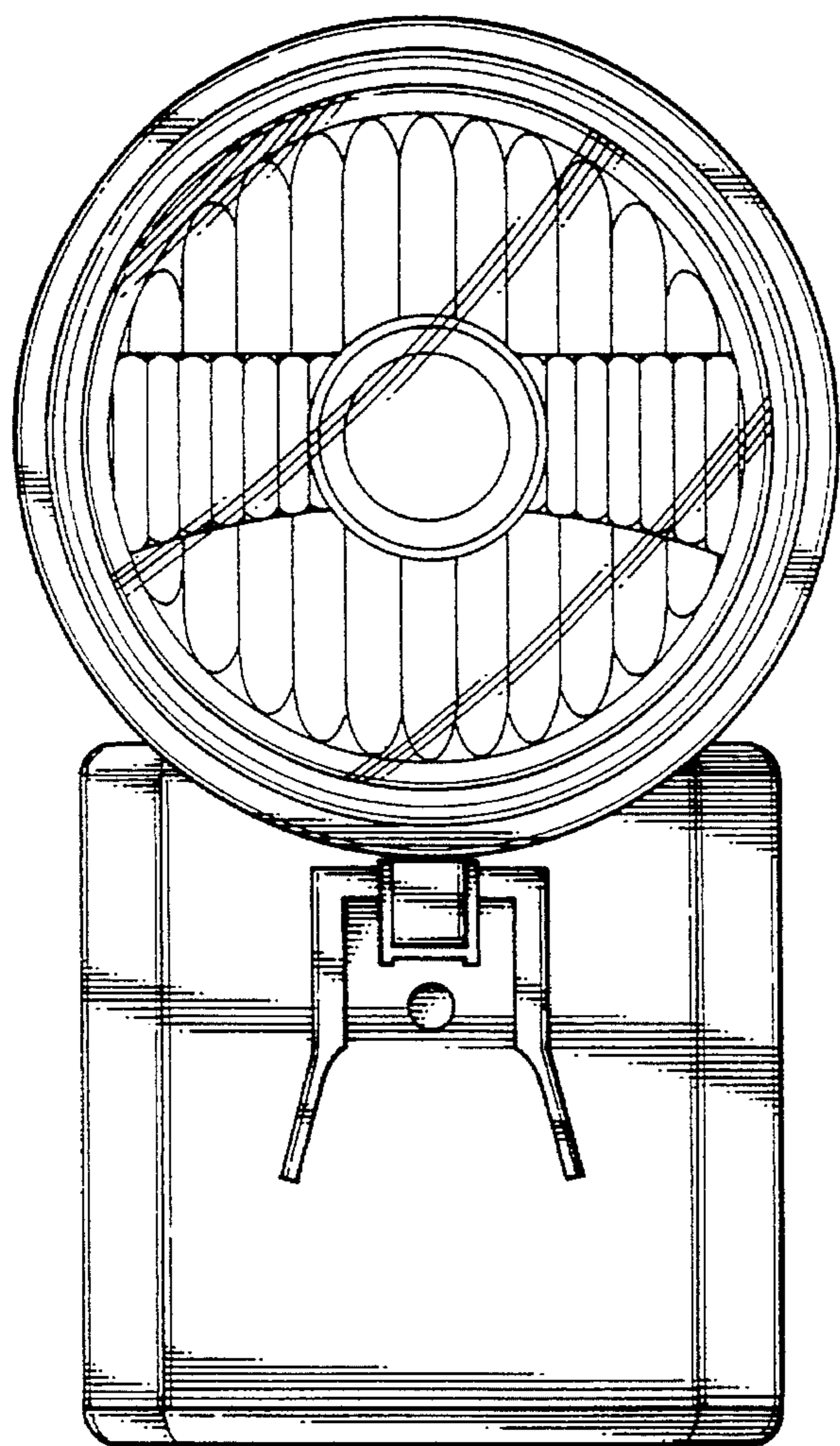


FIG. 2

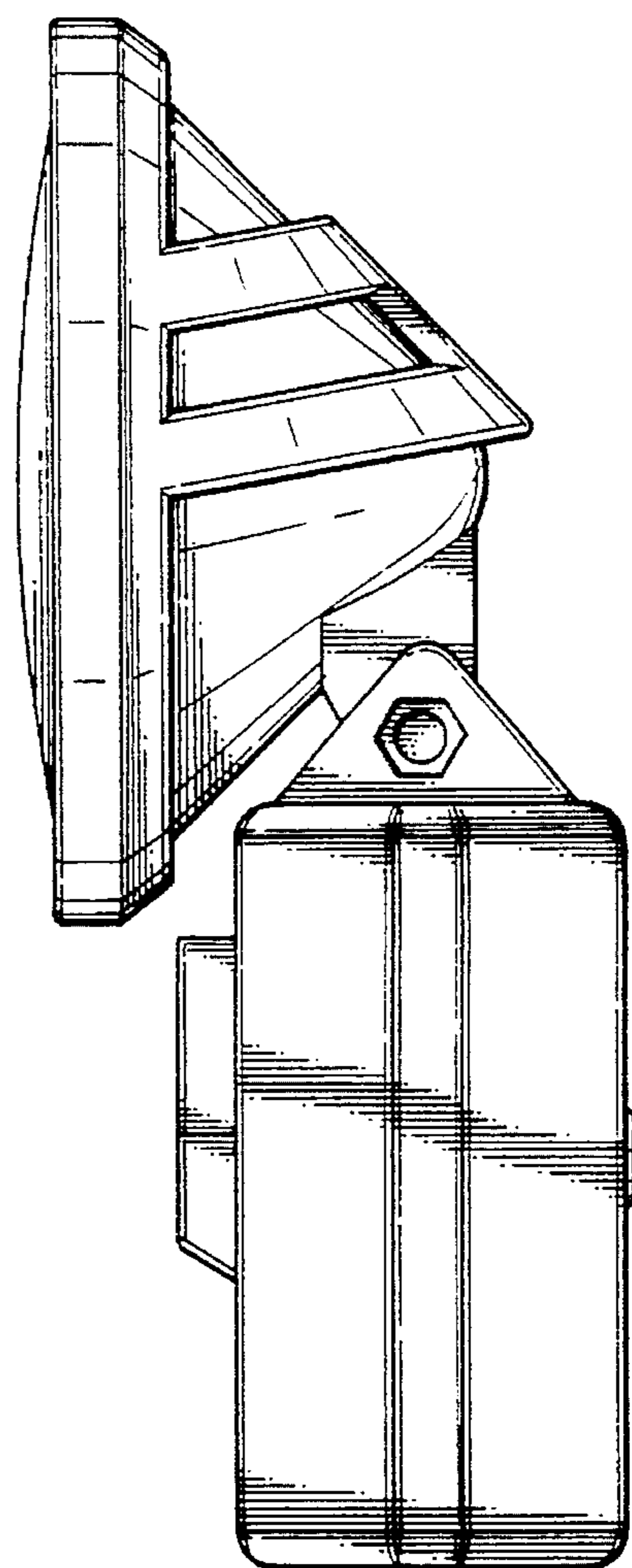


FIG. 3

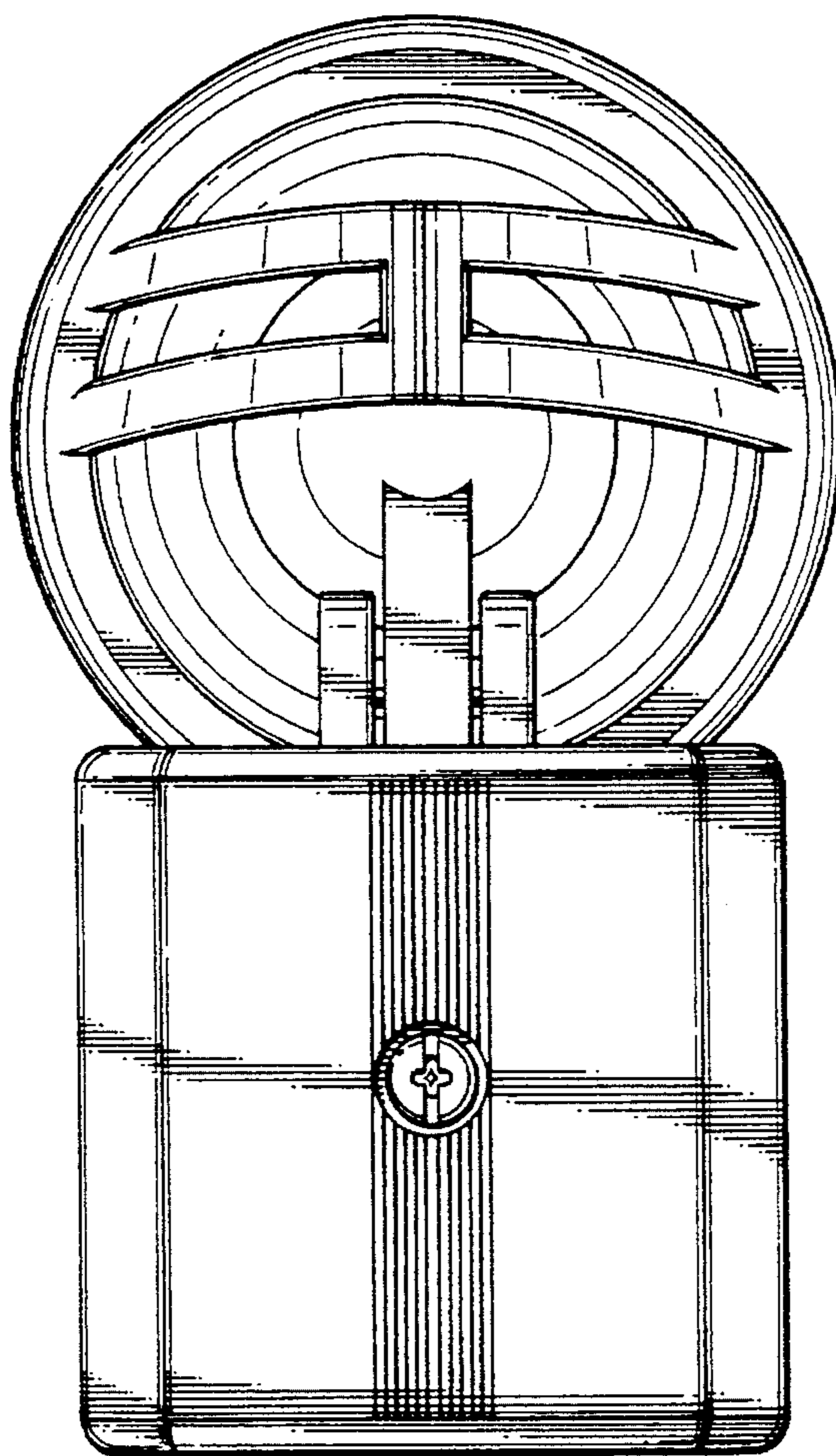


FIG. 4

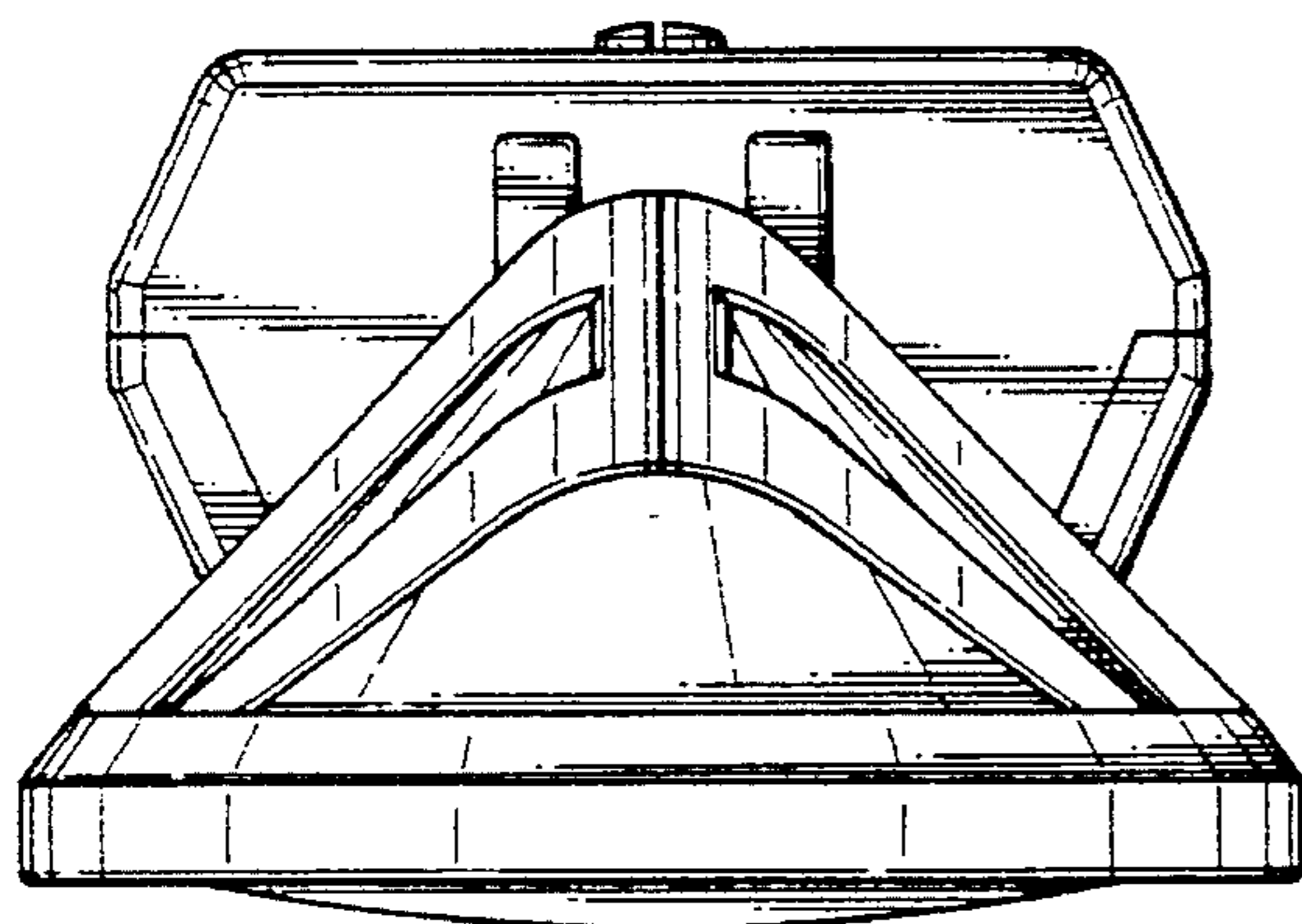


FIG. 5

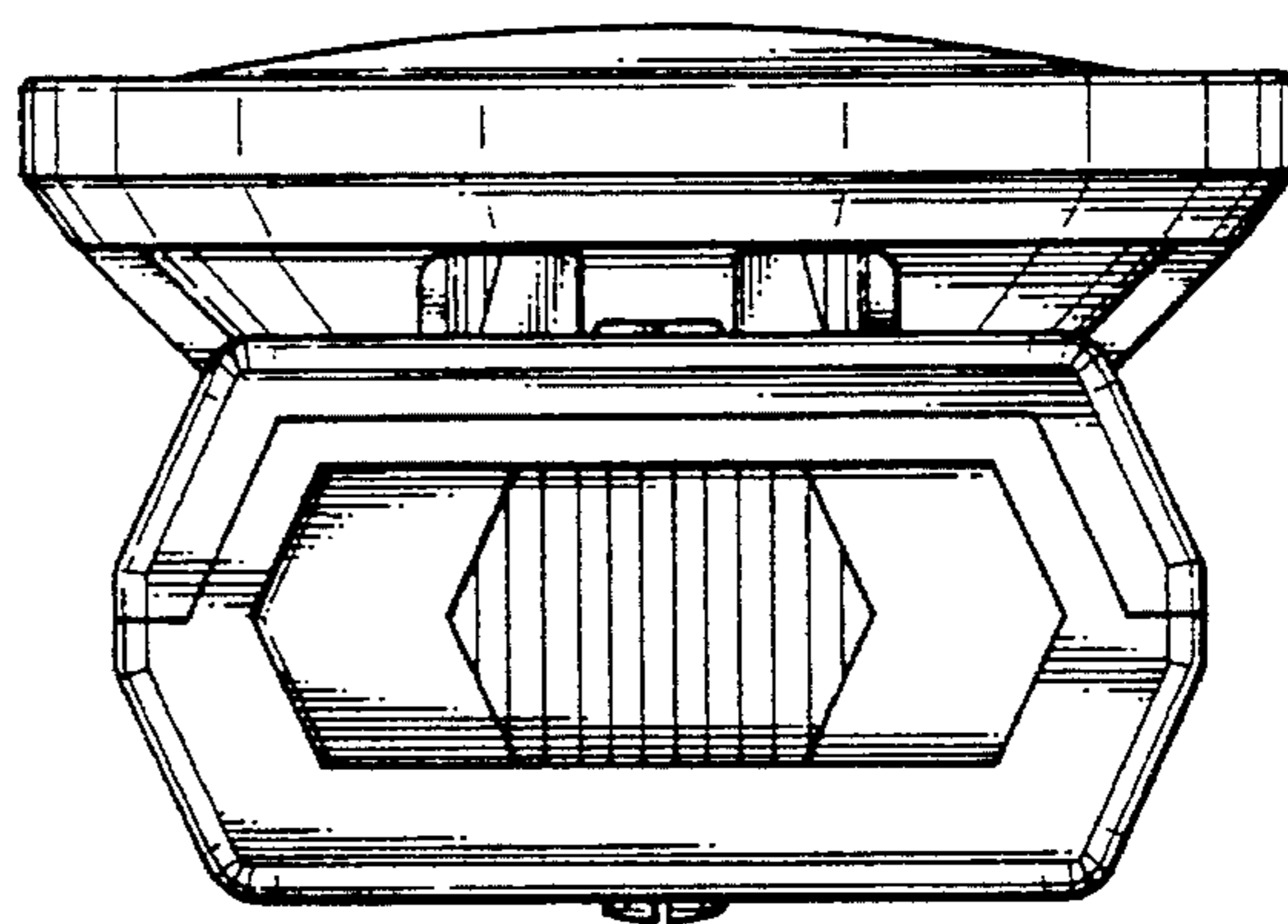


FIG. 6