



US00D371613S

United States Patent [19]
Moore

[11] **Patent Number:** **Des. 371,613**

[45] **Date of Patent:** ****Jul. 9, 1996**

[54] **DECORATIVE LIGHTING FIXTURE**

2,761,233 9/1956 Brown D11/120
5,037,679 8/1991 Noble, Jr. D11/120

[76] Inventor: **Kay Moore**, 5264 Muckinaw, Saginaw,
Mich. 48603

Primary Examiner—Marcus A. Jackson
Attorney, Agent, or Firm—Harold H. Dutton, Jr.; W. Charles
L. Jamison; Diane F. Liebman

[**] Term: **14 Years**

[21] Appl. No.: **35,304**

[57] **CLAIM**

[22] Filed: **Feb. 24, 1995**

The ornamental design for a decorative lighting fixture, as
shown and described.

[52] U.S. Cl. **D26/4; D11/120**

[58] Field of Search D26/1, 2, 3, 4;
D11/120, 117; 362/122, 806, 807, 808;
428/10, 16; 40/540, 541, 542, 607

DESCRIPTION

FIG. 1 is a front view of a decorative light fixture showing
my new design;

FIG. 2 is a rear view thereof;

FIG. 3 is a left side view thereof;

FIG. 4 is a right side view thereof;

FIG. 5 is a top view thereof; and,

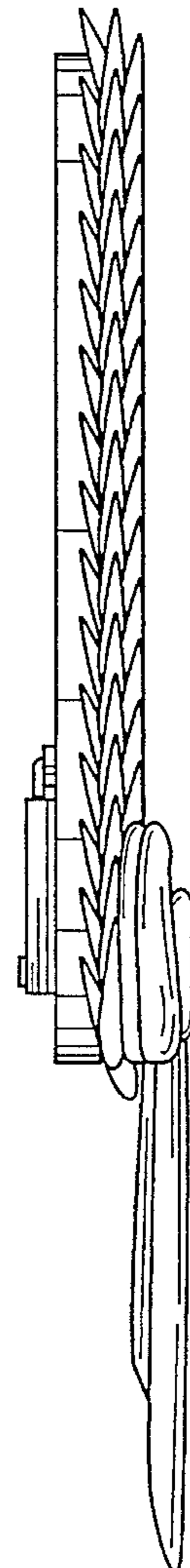
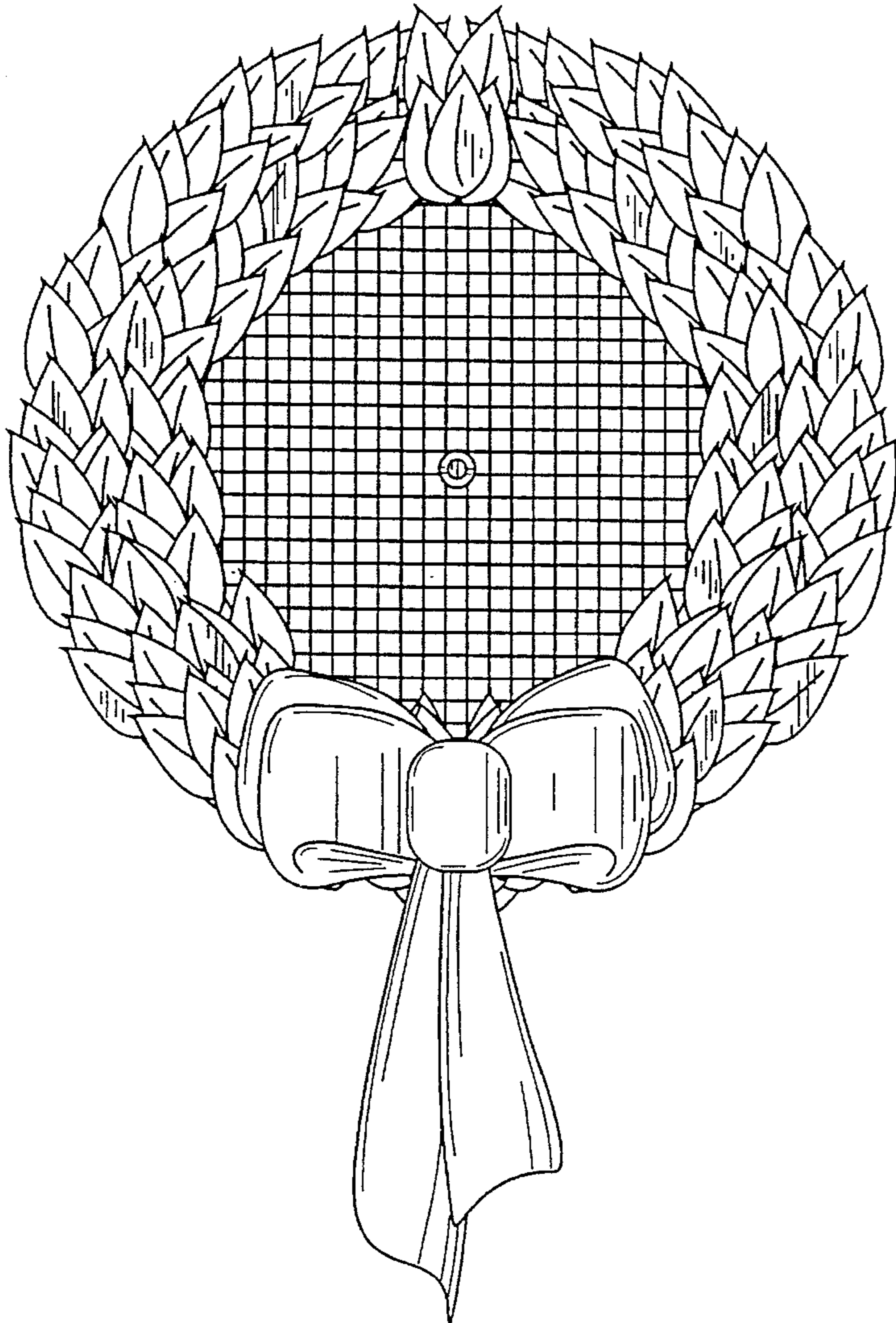
FIG. 6 is a bottom view thereof.

[56] **References Cited**

U.S. PATENT DOCUMENTS

D. 81,751	8/1930	Klotz	D26/4
D. 340,671	10/1993	Clark	D11/120
2,560,719	7/1951	Davis	40/607
2,575,512	11/1951	Erlewine	40/540

1 Claim, 4 Drawing Sheets



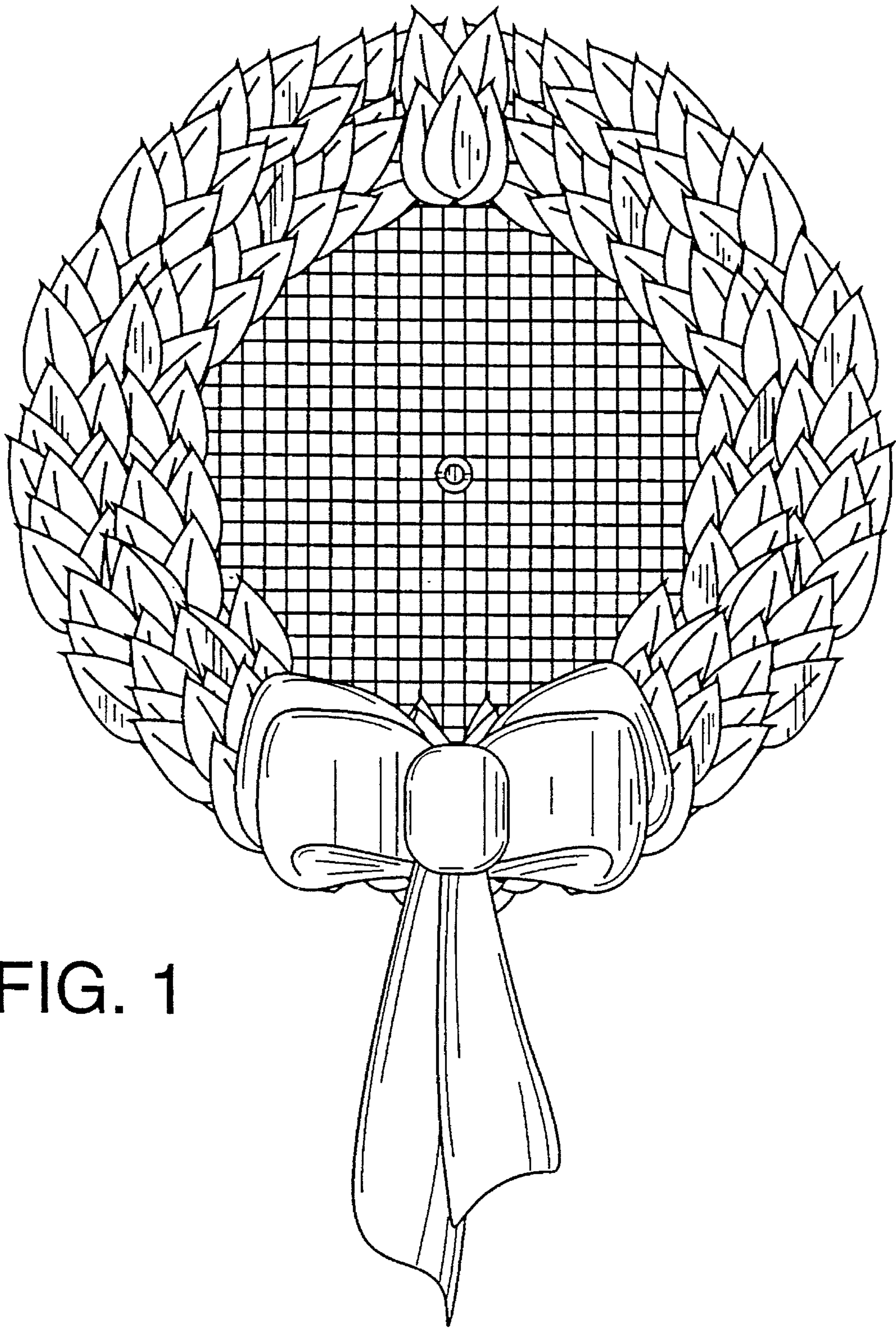


FIG. 1

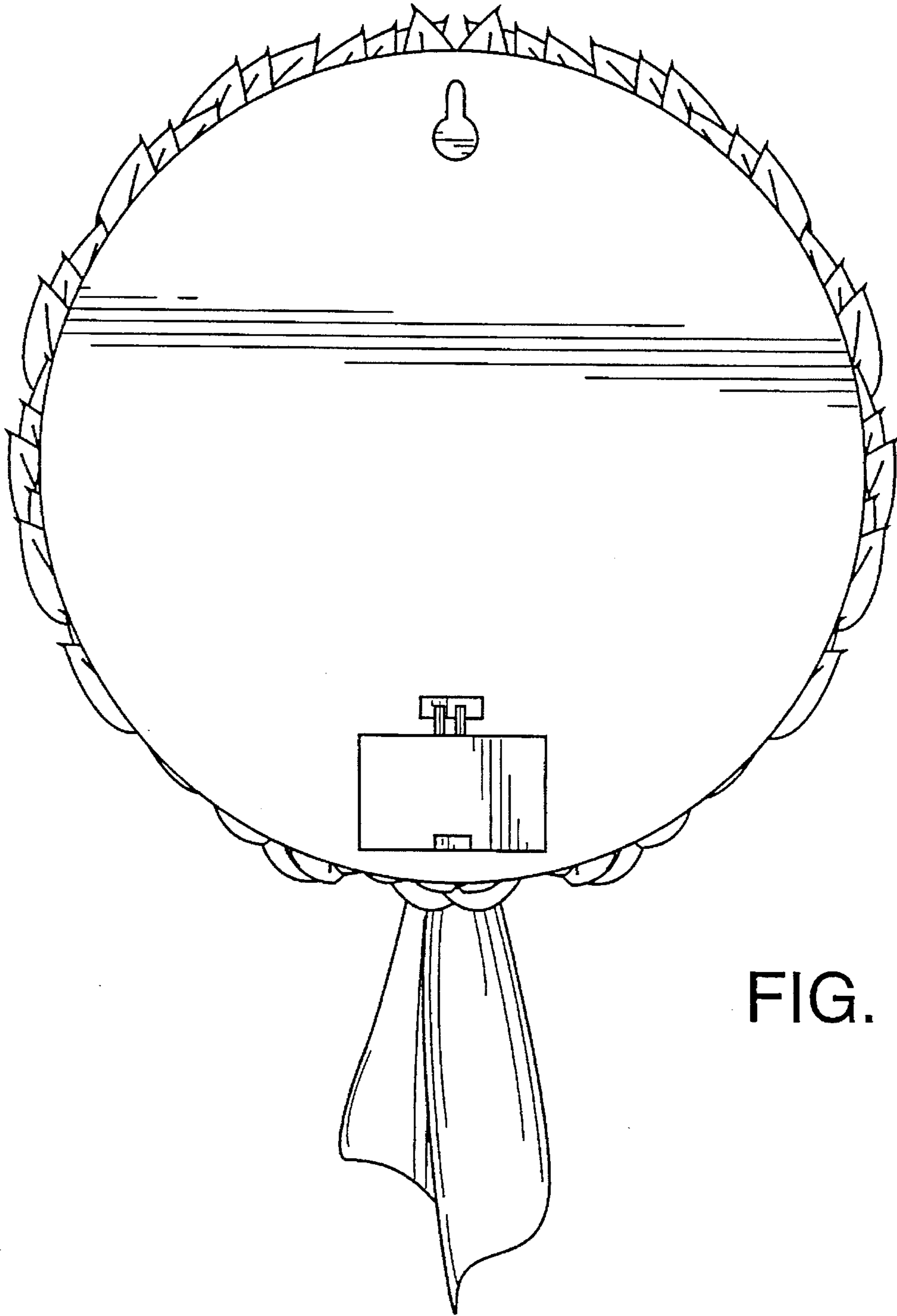


FIG. 2

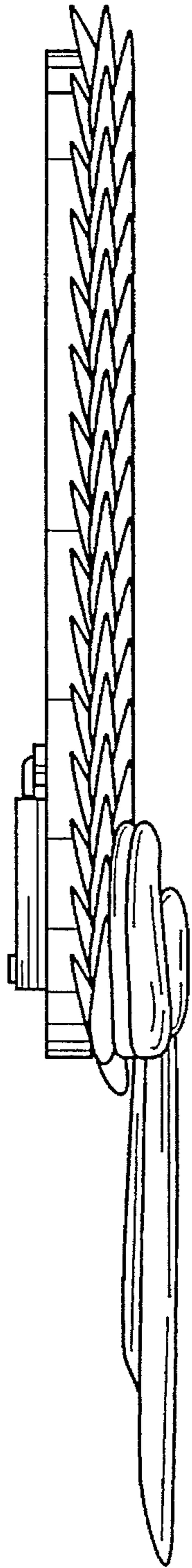


FIG. 3

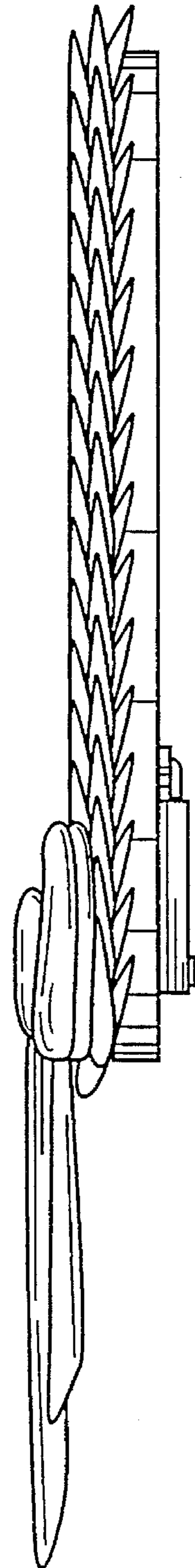


FIG. 4

FIG. 5

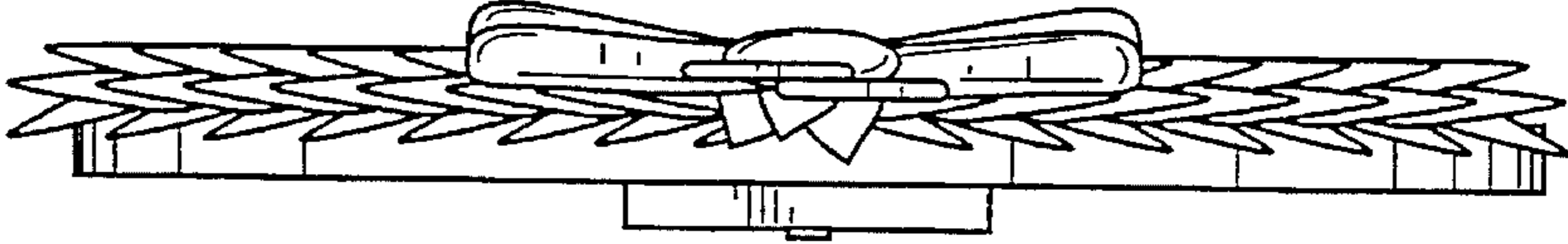


FIG. 6