



US00D371612S

United States Patent [19]

[11] Patent Number: **Des. 371,612**

Hsiao

[45] Date of Patent: ****Jul. 9, 1996**

[54] **EXTRUDED ALUMINUM FRAME FOR GOLF CART**

D. 269,910 7/1983 Johansson D25/124
D. 330,431 10/1992 Wang D25/119

[76] Inventor: **Fang-Jung Hsiao**, 58, Ma Yuan West St., Taichung, Taiwan

Primary Examiner—Kay H. Chin

[**] Term: **14 Years**

[57] **CLAIM**

The ornamental design for an extruded aluminum frame for golf cart, as shown and described.

[21] Appl. No.: **43,675**

DESCRIPTION

[22] Filed: **Sep. 8, 1995**

[52] U.S. Cl. **D25/124; D34/15**

[58] Field of Search D25/119, 120, D25/121, 122, 123, 124, 125; 52/579, 795, 204.597, 204.591, 241, 800.14, 232; 49/504, 467, DIG. 1, 501, 502, 413; D34/12, 15

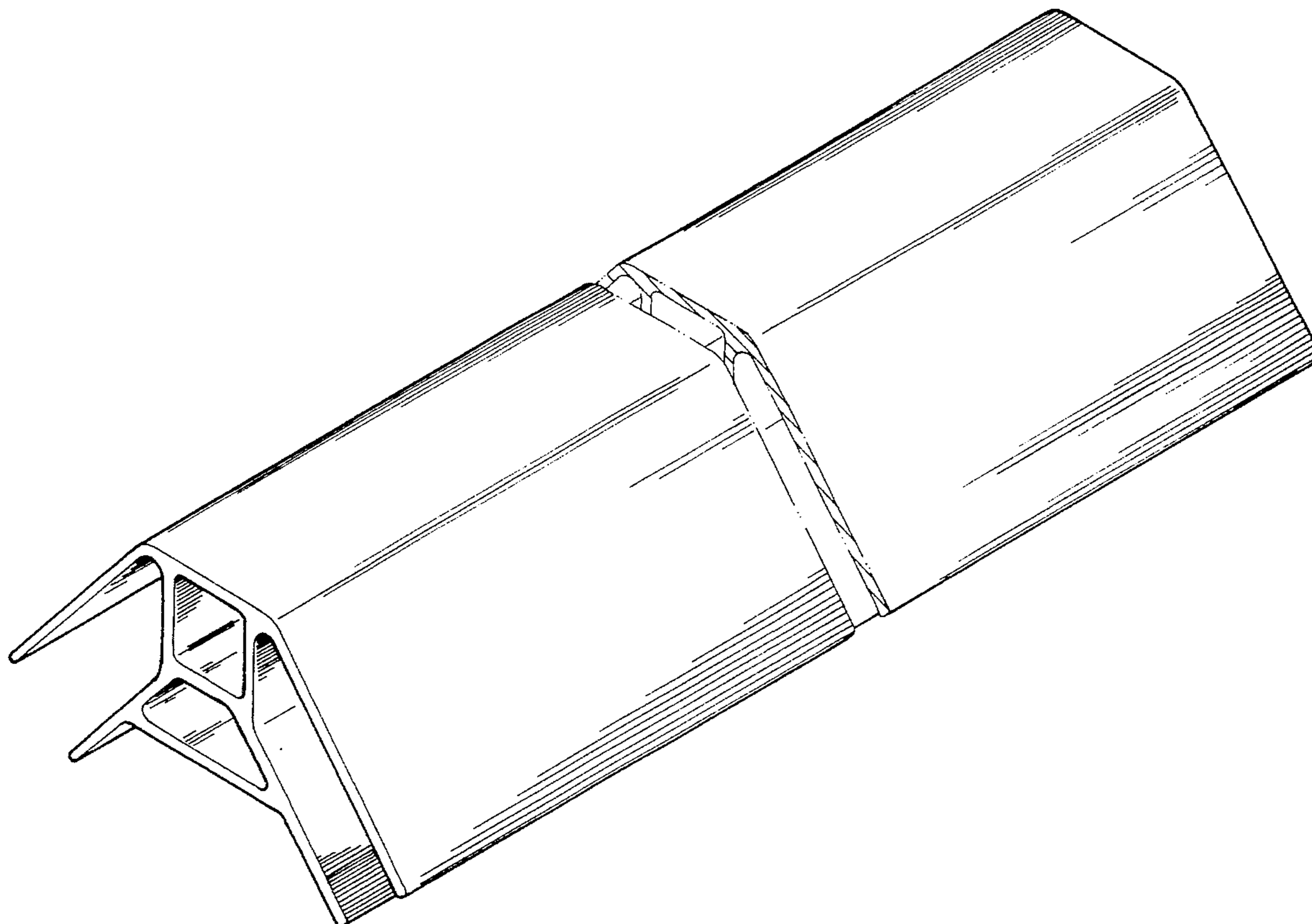
FIG. 1 is a perspective view of an extruded aluminum frame golf cart showing my new design, a portion of the frame being broken away to indicate indeterminate length; FIG. 2 is a front elevational view thereof (a rear elevational view is the same); FIG. 3 is a left side elevational view thereof (a right side elevational view is the same); FIG. 4 is a top plan view thereof; and, FIG. 5 is a bottom plan view thereof.

[56] References Cited

U.S. PATENT DOCUMENTS

D. 215,831 11/1969 Maynard D25/122
D. 259,364 5/1981 Poth D25/124

1 Claim, 3 Drawing Sheets



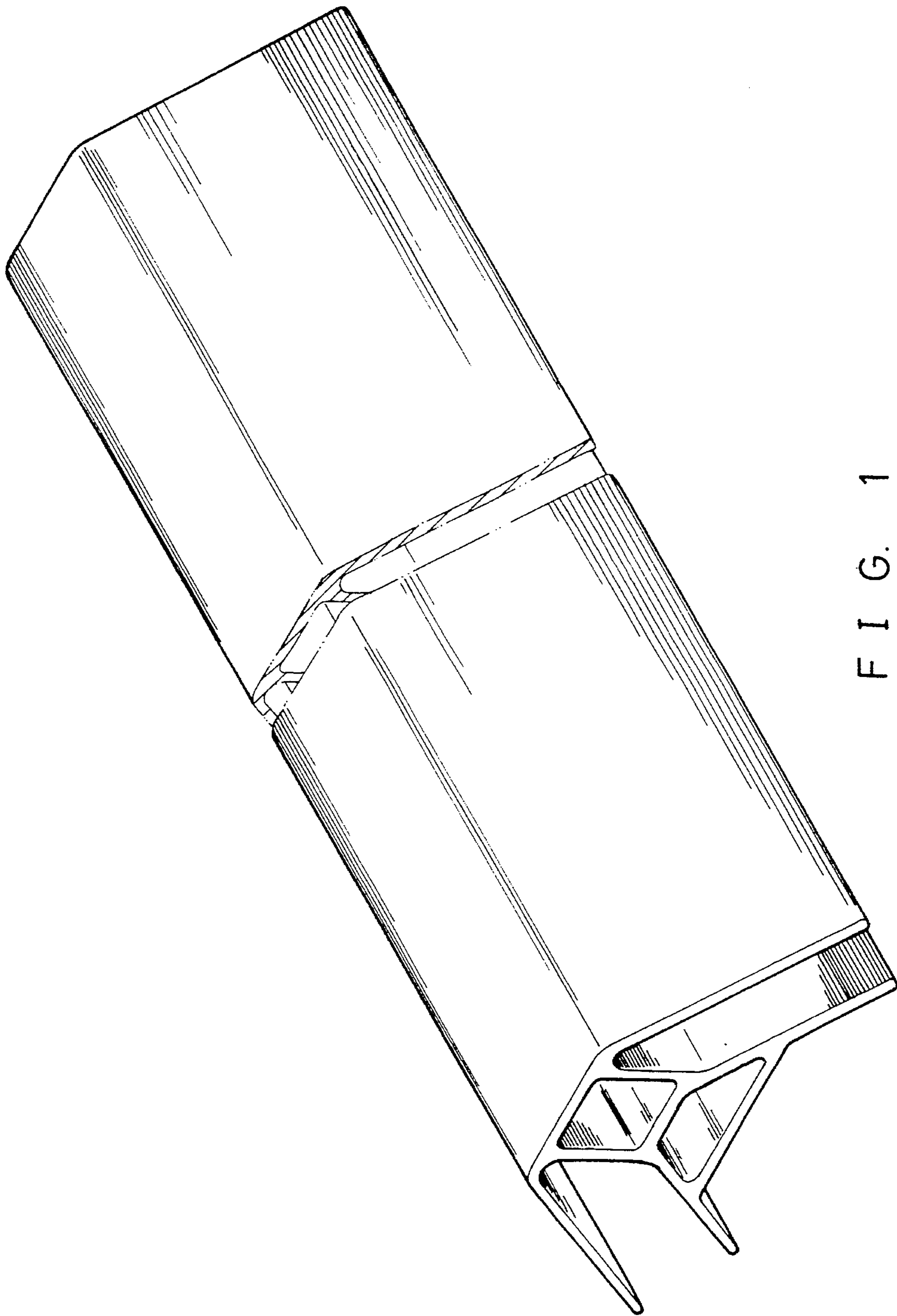
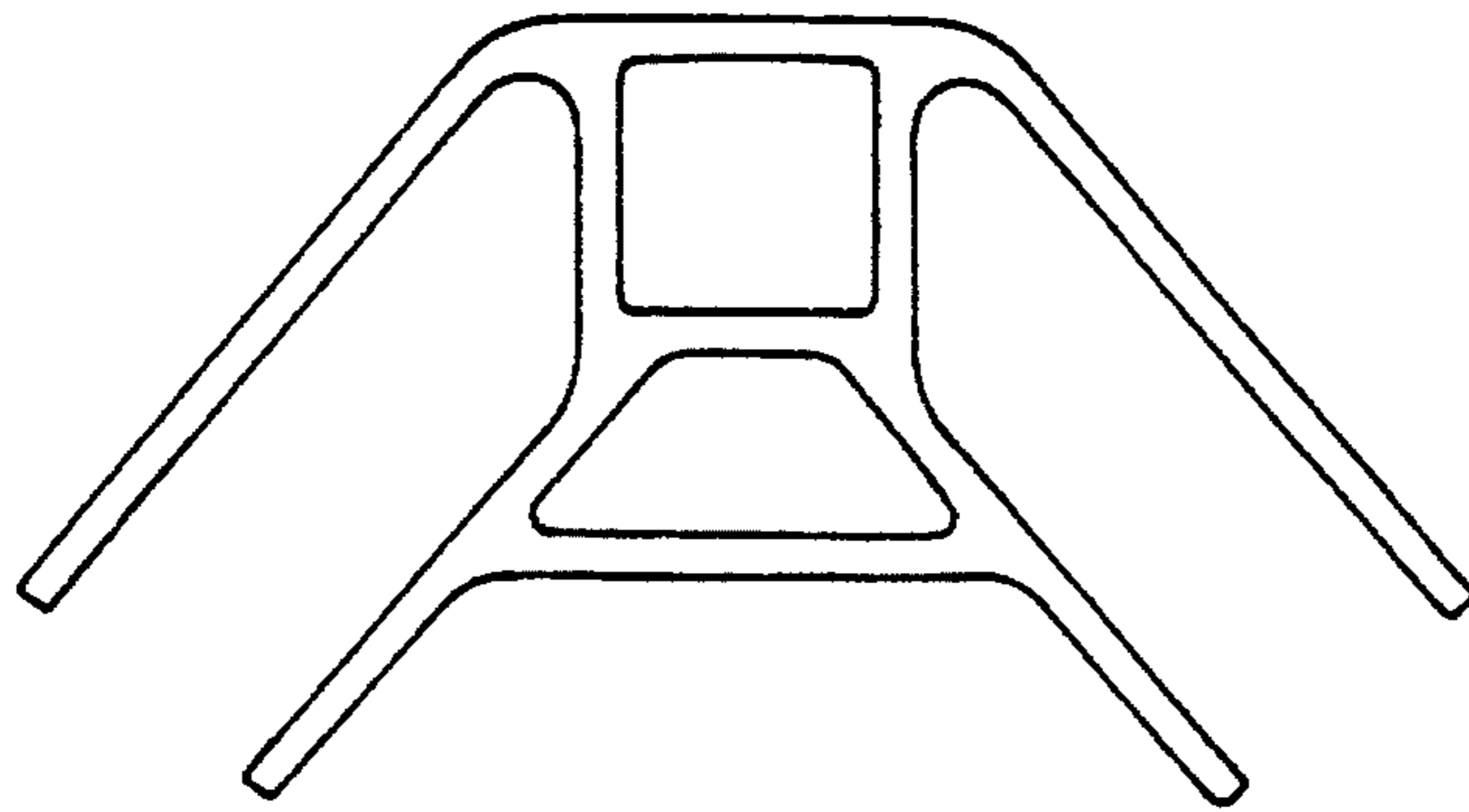
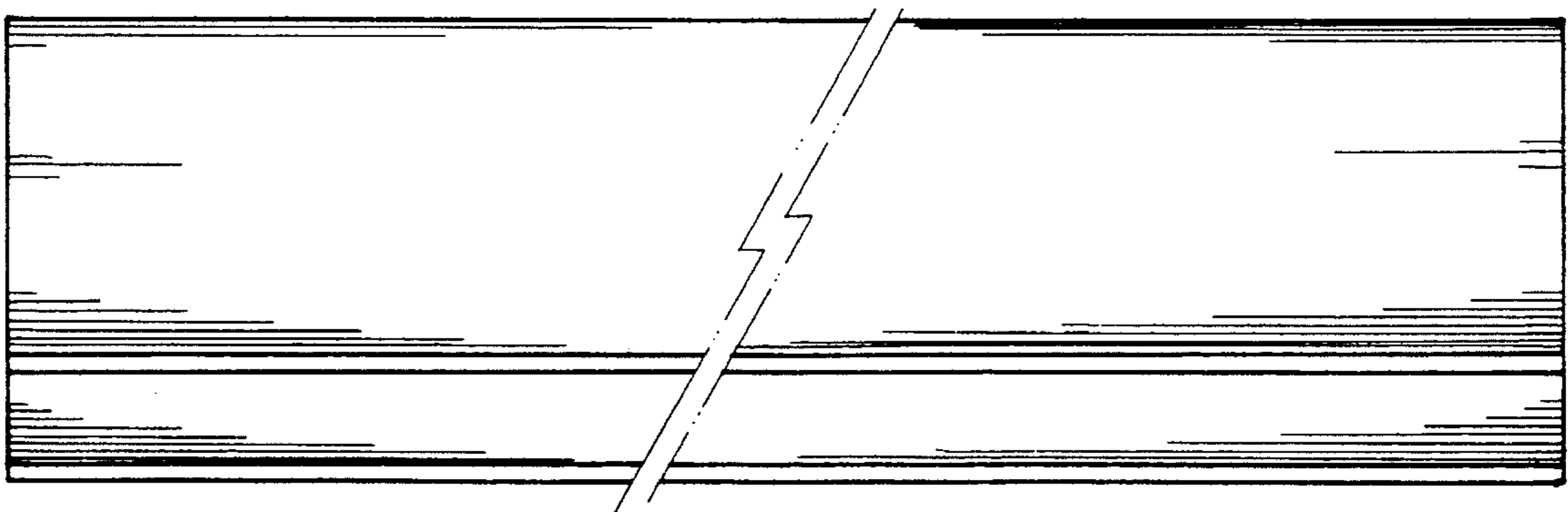


FIG. 1



F I G. 2



F I G. 3

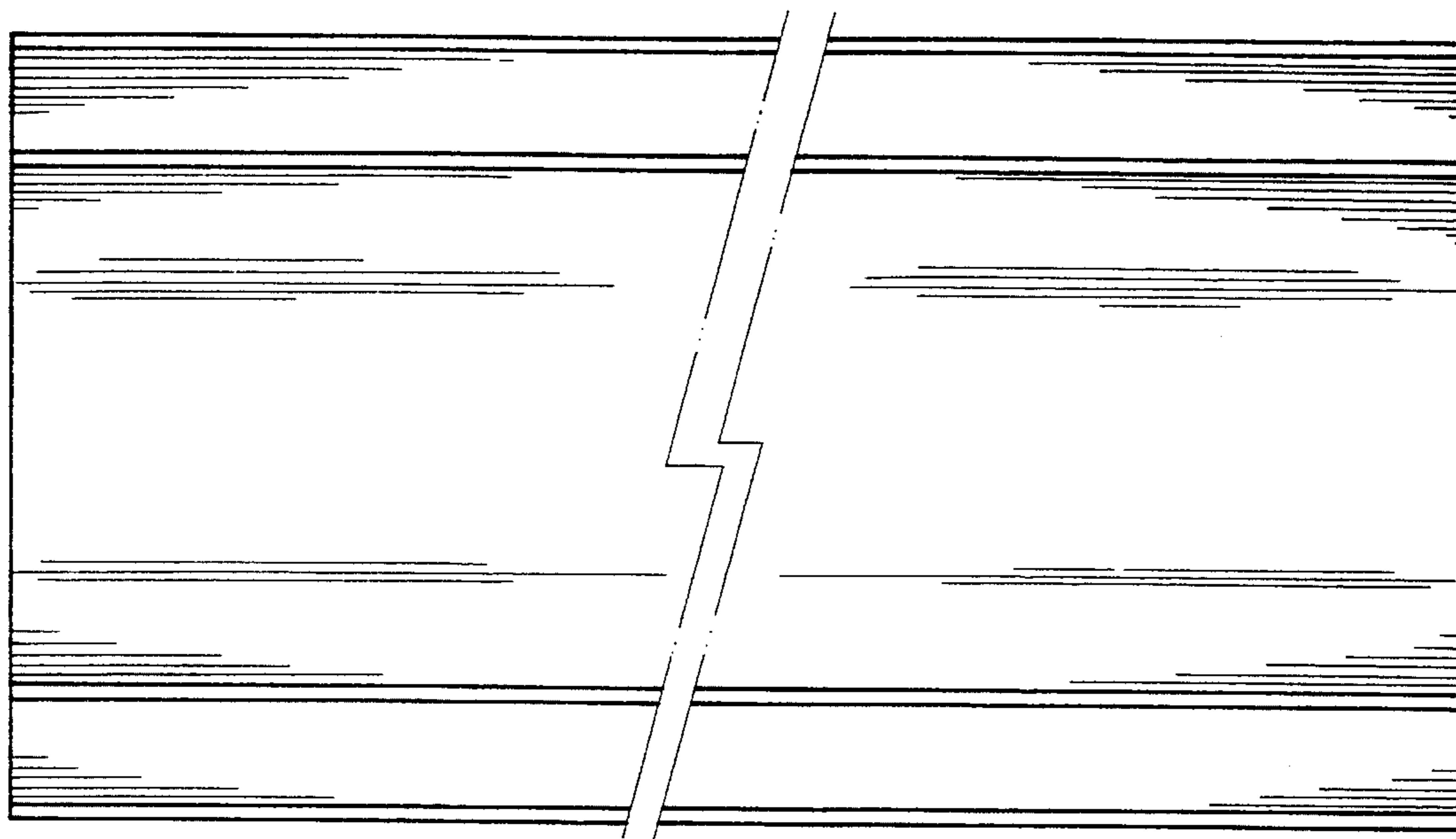


FIG. 5

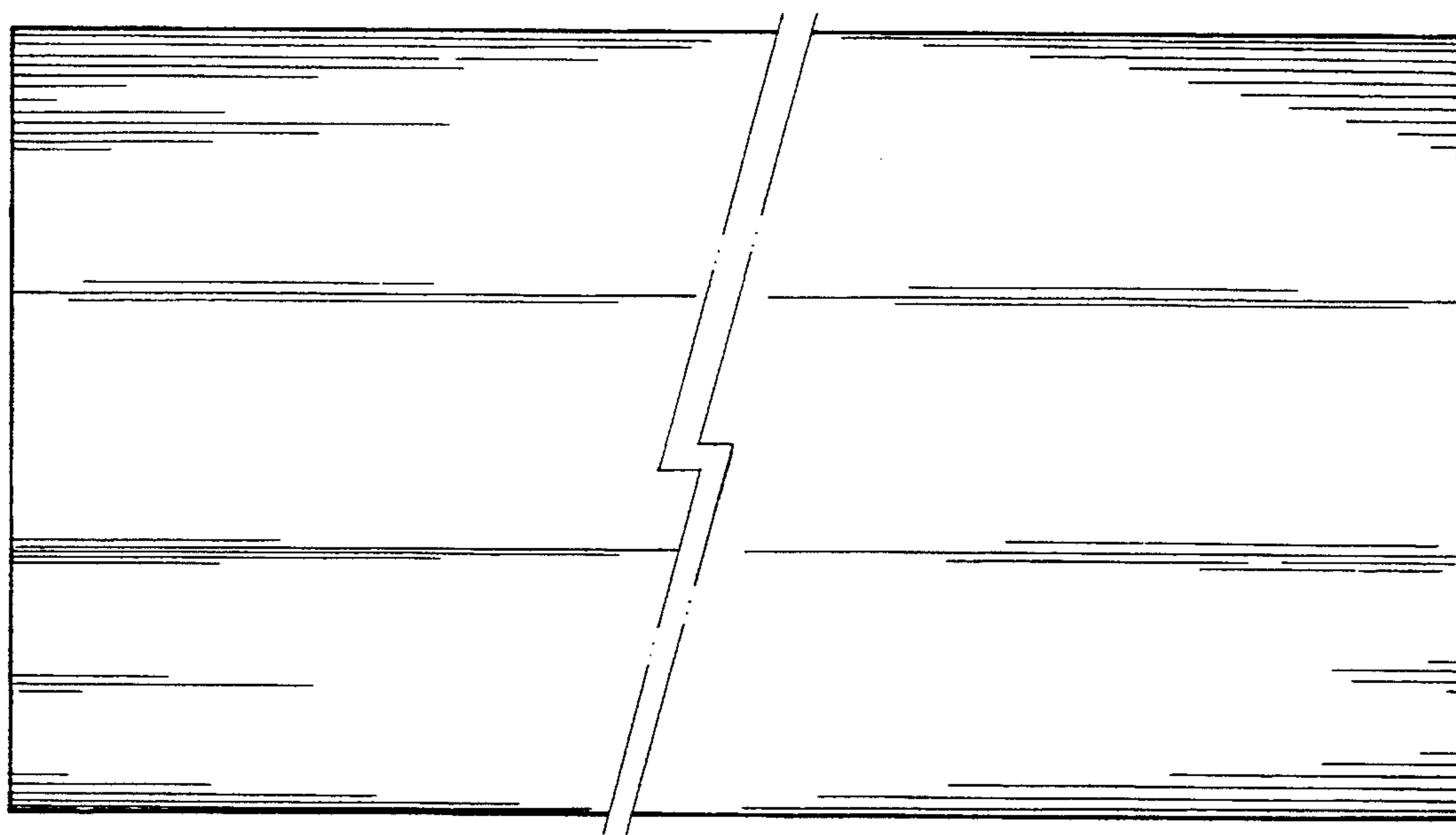


FIG. 4