



US00D371603S

# United States Patent [19]

Laviomodiere

[11] Patent Number: **Des. 371,603**

[45] Date of Patent: **\*\*Jul. 9, 1996**

[54] **ANESTHETIC BOTTLE PIERCER**

[75] Inventor: **Maurice Laviomodiere**, Barrie, Canada

[73] Assignee: **Southmedic Inc.**, Barrie, Canada

[\*\*] Term: **14 Years**

[21] Appl. No.: **26,155**

[22] Filed: **Jul. 20, 1994**

[30] **Foreign Application Priority Data**

Apr. 11, 1994 [CA] Canada ..... 1994-0710

[52] U.S. Cl. .... **D24/129; D24/127; D24/128**

[58] Field of Search ..... **D24/129, 128, D24/133; D8/33, 36, 37, 40, 42, 43; 81/3.48, 3.49, 3.25, 3.31; 222/87, 89, 86; 604/211**

[56] **References Cited**

**U.S. PATENT DOCUMENTS**

D. 268,245	3/1983	Makino et al. ....	D8/42
4,178,646	12/1979	Swartz et al. ....	81/3.48 X
5,339,830	8/1994	Blake, III ....	604/211 X
5,385,559	1/1995	Mannix ....	604/211 X

*Primary Examiner*—Louis S. Zarfes

*Assistant Examiner*—I. Simmons

*Attorney, Agent, or Firm*—Bauer & Schaffer

[57] **CLAIM**

The ornamental design for anesthetic bottle piercer, as shown and described.

**DESCRIPTION**

FIG. 1 is a front perspective view of an anesthetic bottle piercer showing my new design;

FIG. 2 is a top plan view;

FIG. 3 is a rear elevation of the anesthetic bottle piercer;

FIG. 4 is a side elevation taken from the left-hand side of the view illustrated in FIG. 1;

FIG. 5 is a side elevation of the side opposite that illustrated in FIG. 4;

FIG. 6 is a bottom plan view;

FIG. 7 is a front perspective view of a second embodiment of an anesthetic bottle piercer showing my new design;

FIG. 8 is a top plan view thereof;

FIG. 9 is a rear elevational view thereof;

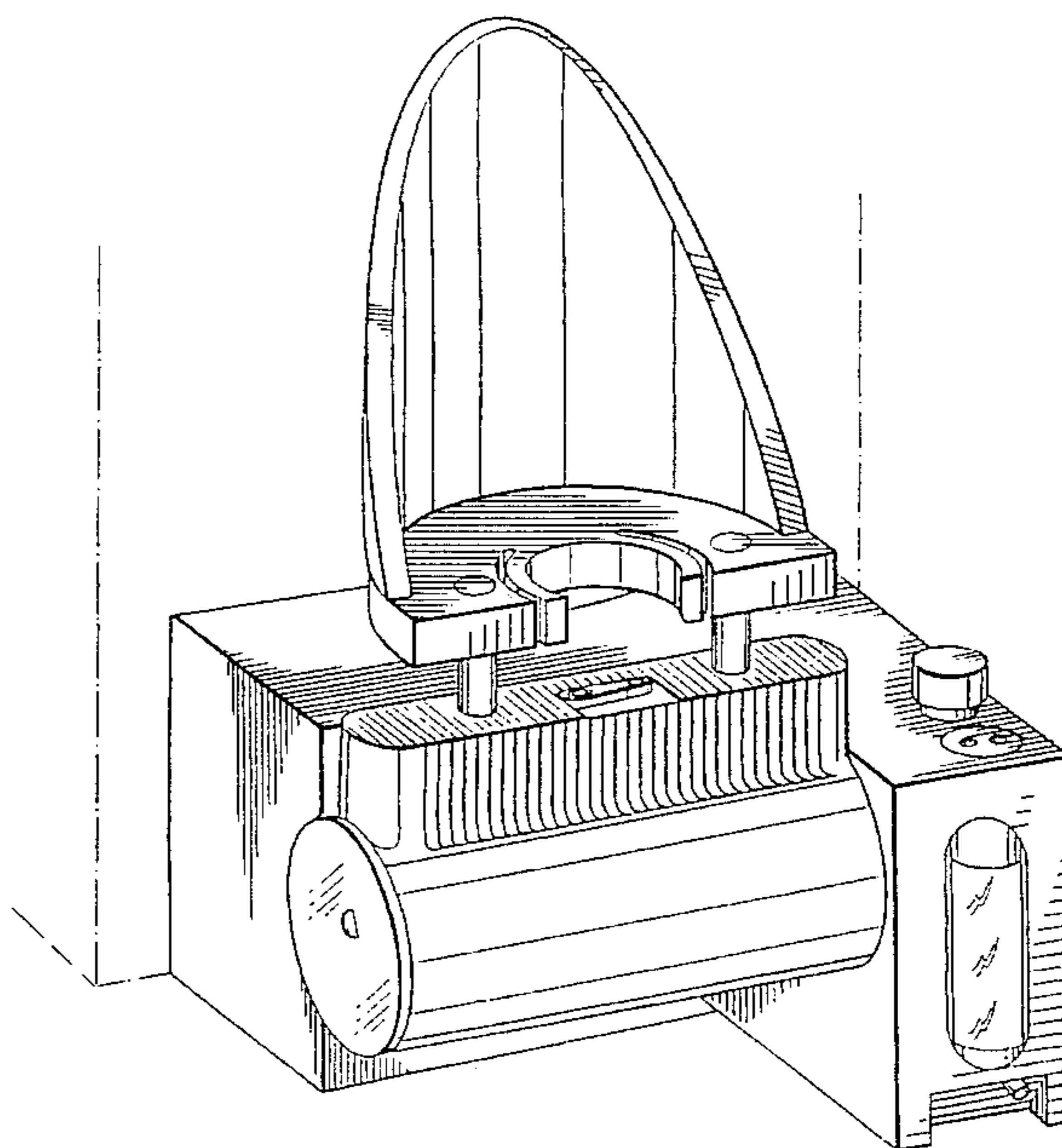
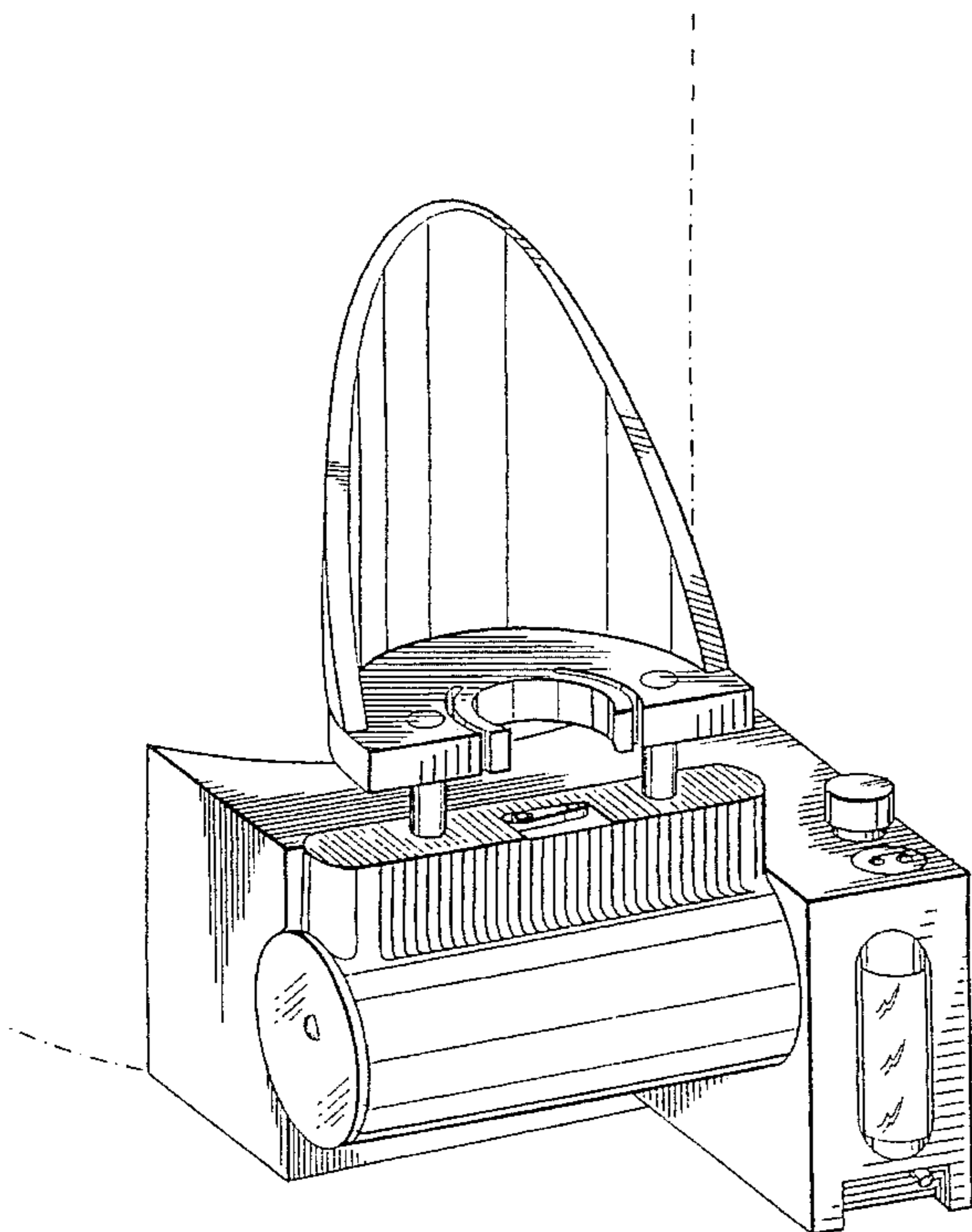
FIG. 10 is a side elevational view thereof;

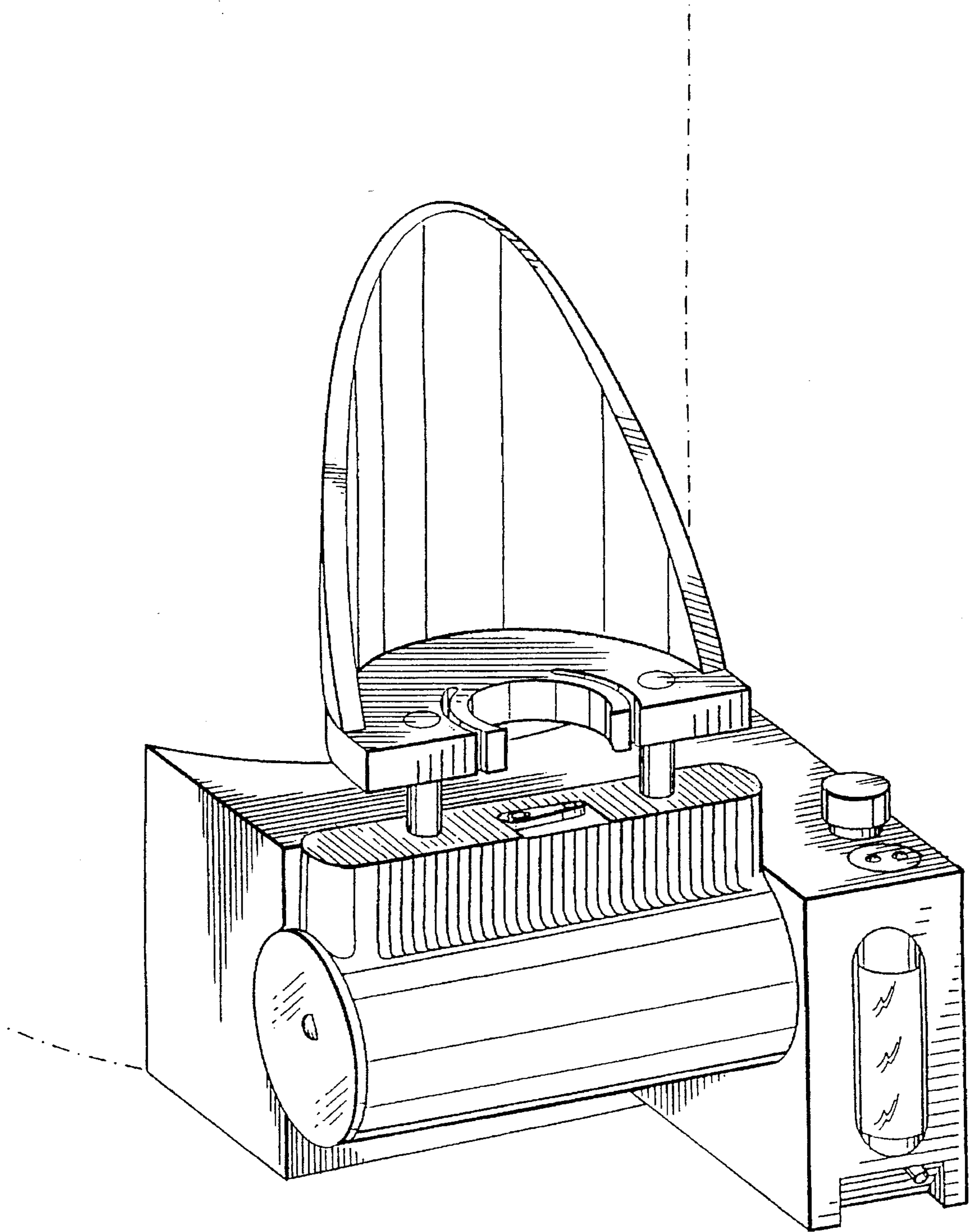
FIG. 11 is a side elevational view thereof, opposite that shown in FIG. 10; and,

FIG. 12 is a bottom plan view thereof.

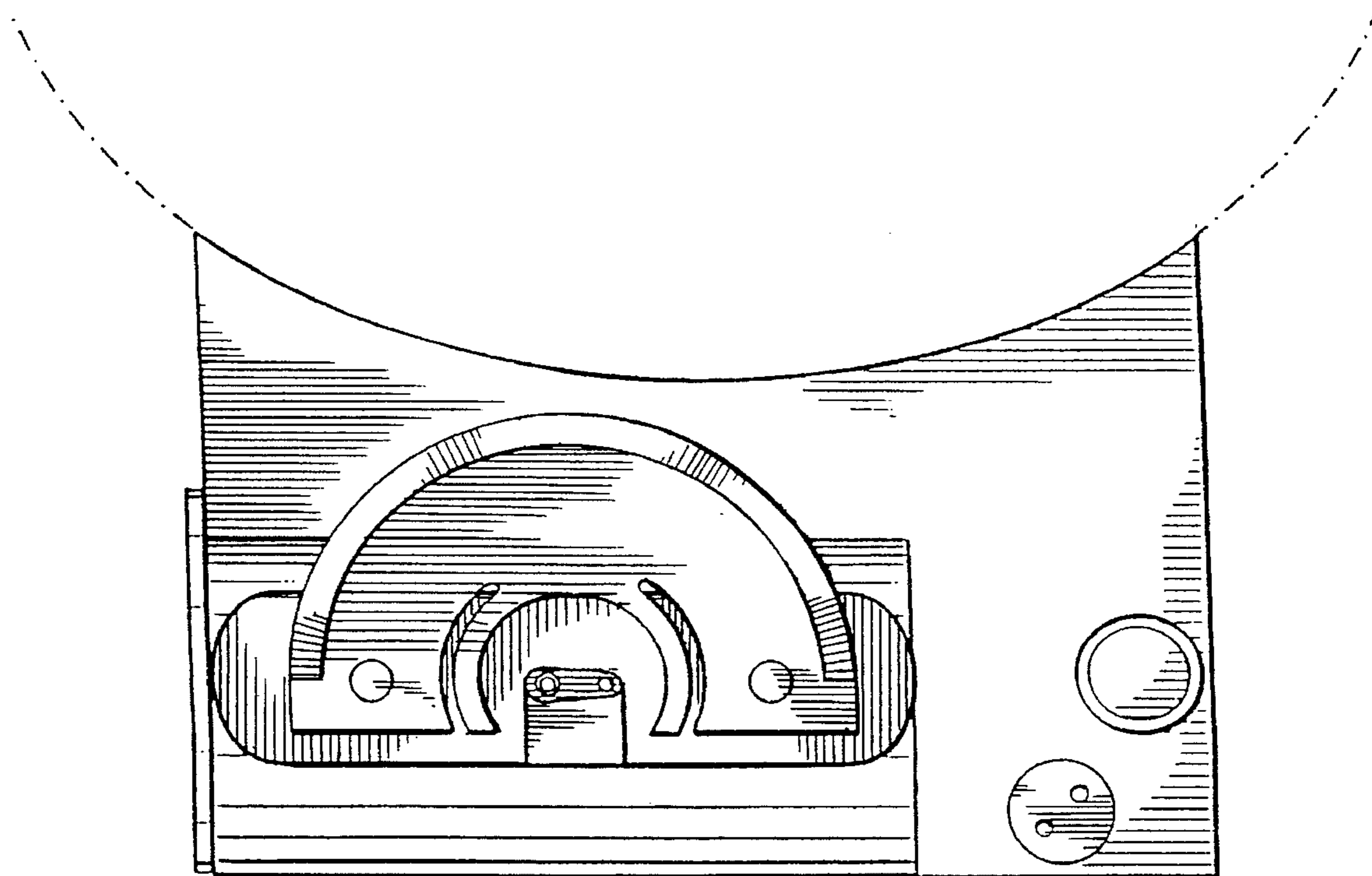
The broken line showing of the support in FIGS. 1, 2, 4 through 8, and 10 through 12 is for illustrative purposes only and forms no part of the claimed design.

**1 Claim, 10 Drawing Sheets**

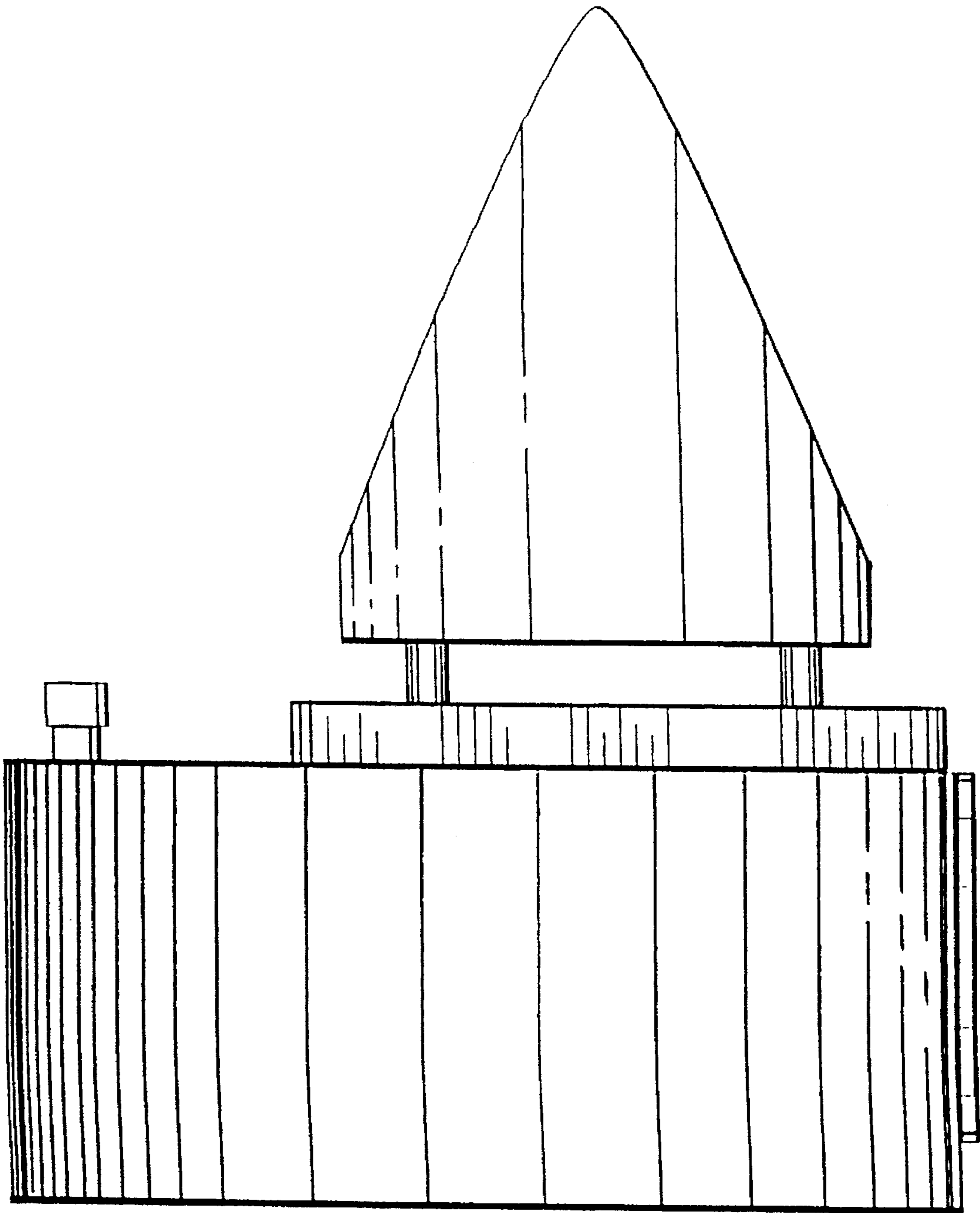




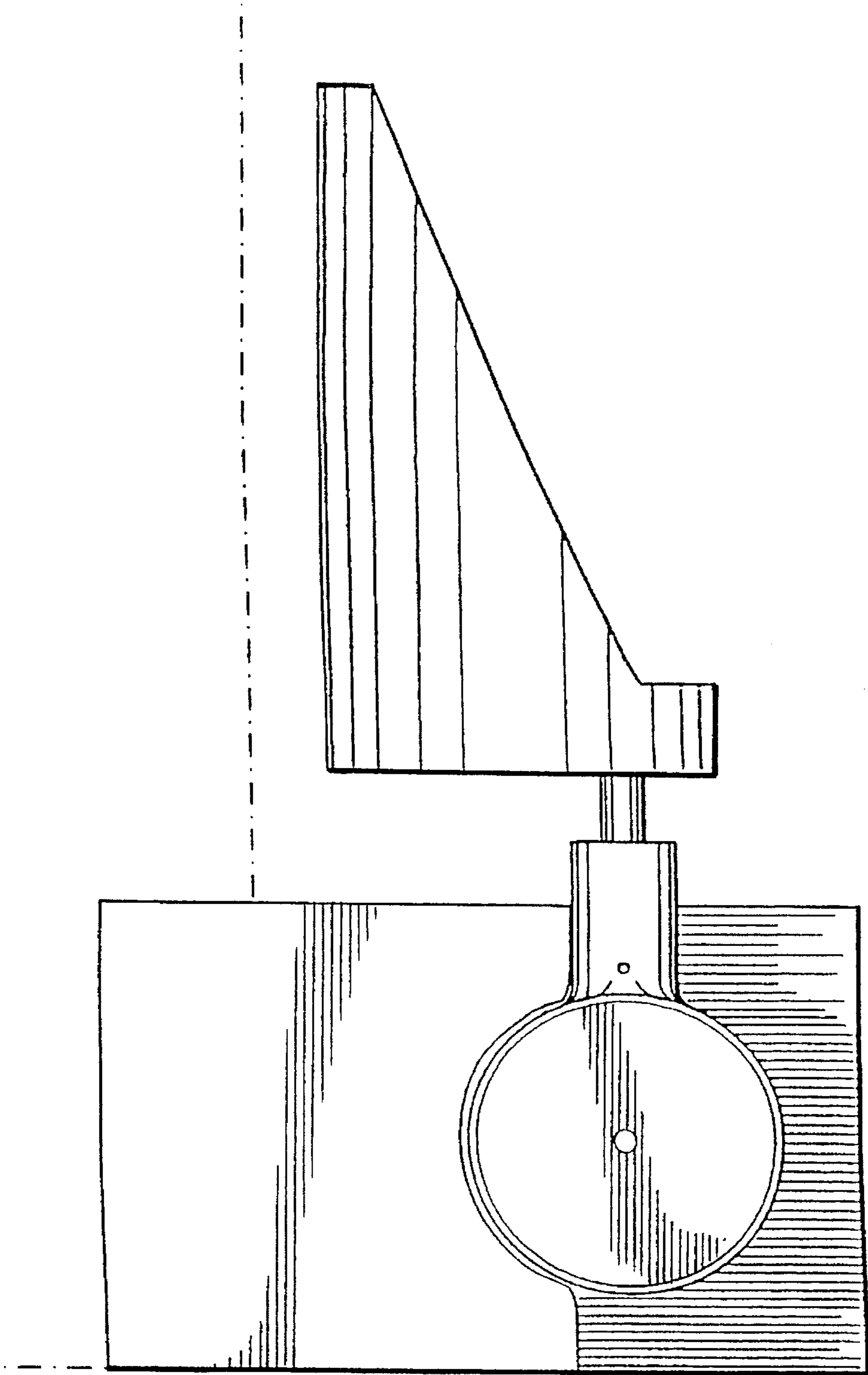
*Figure 1*



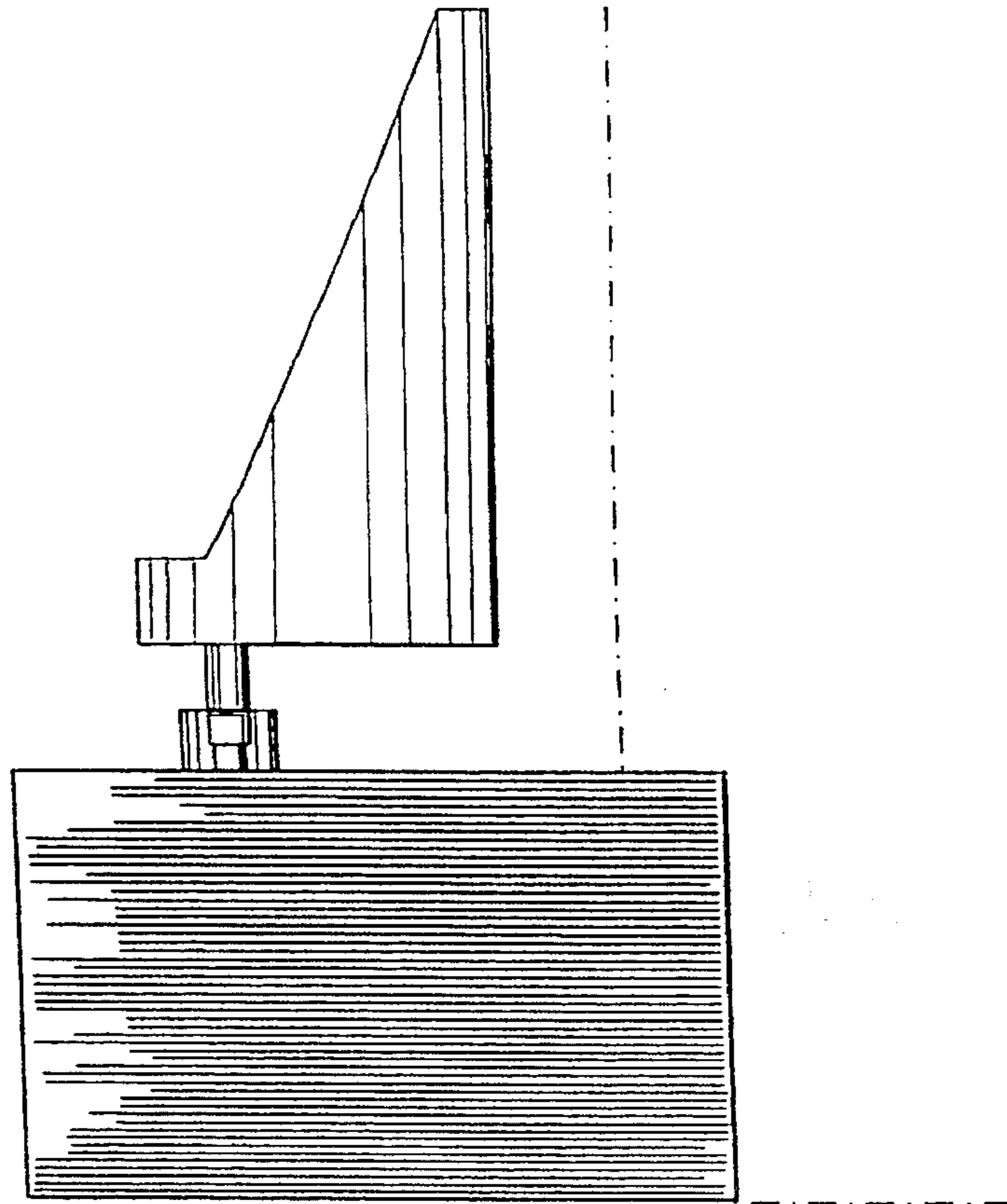
*Figure 2*



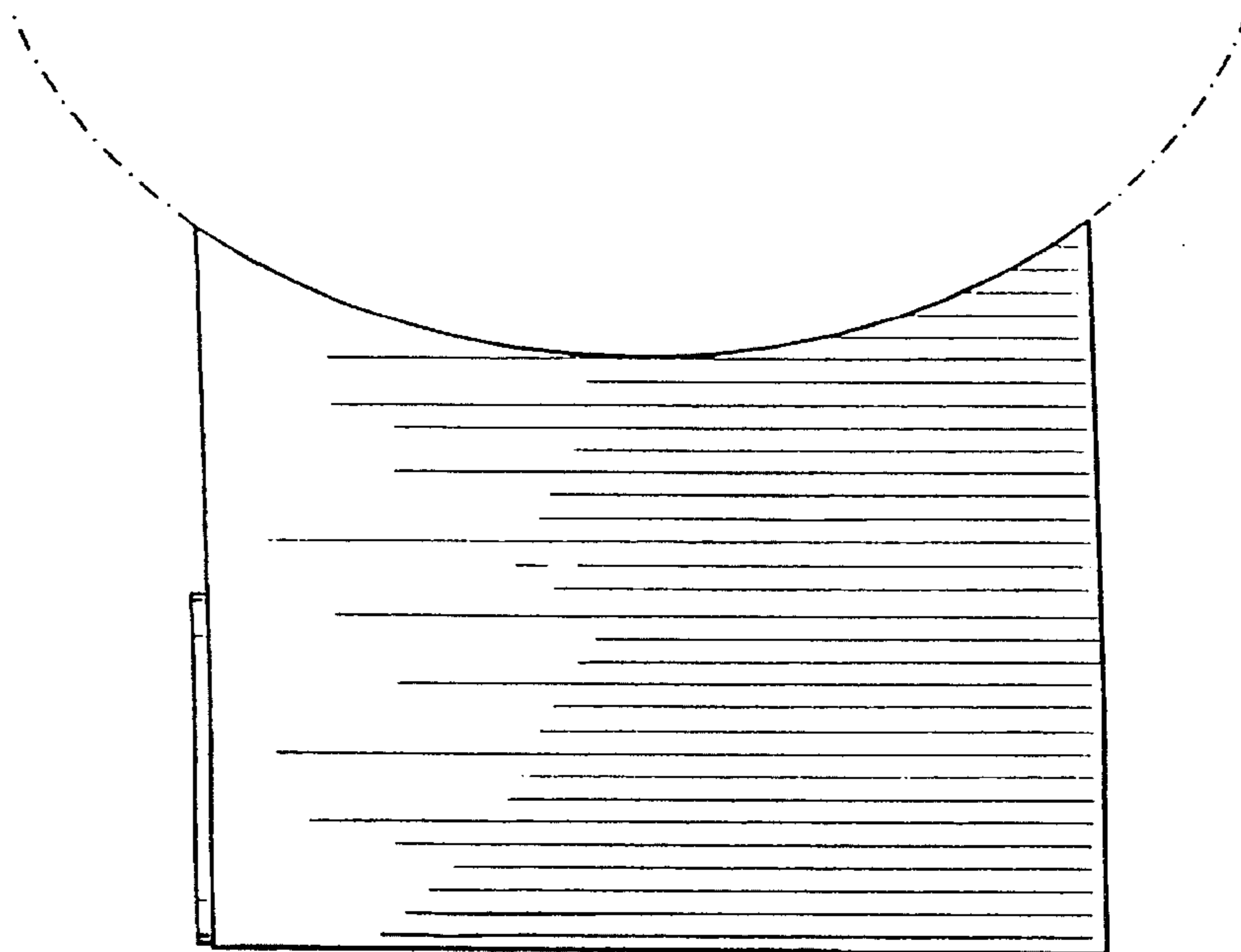
*Figure 3*



*Figure 4*



*Figure 5*



*Figure 6*

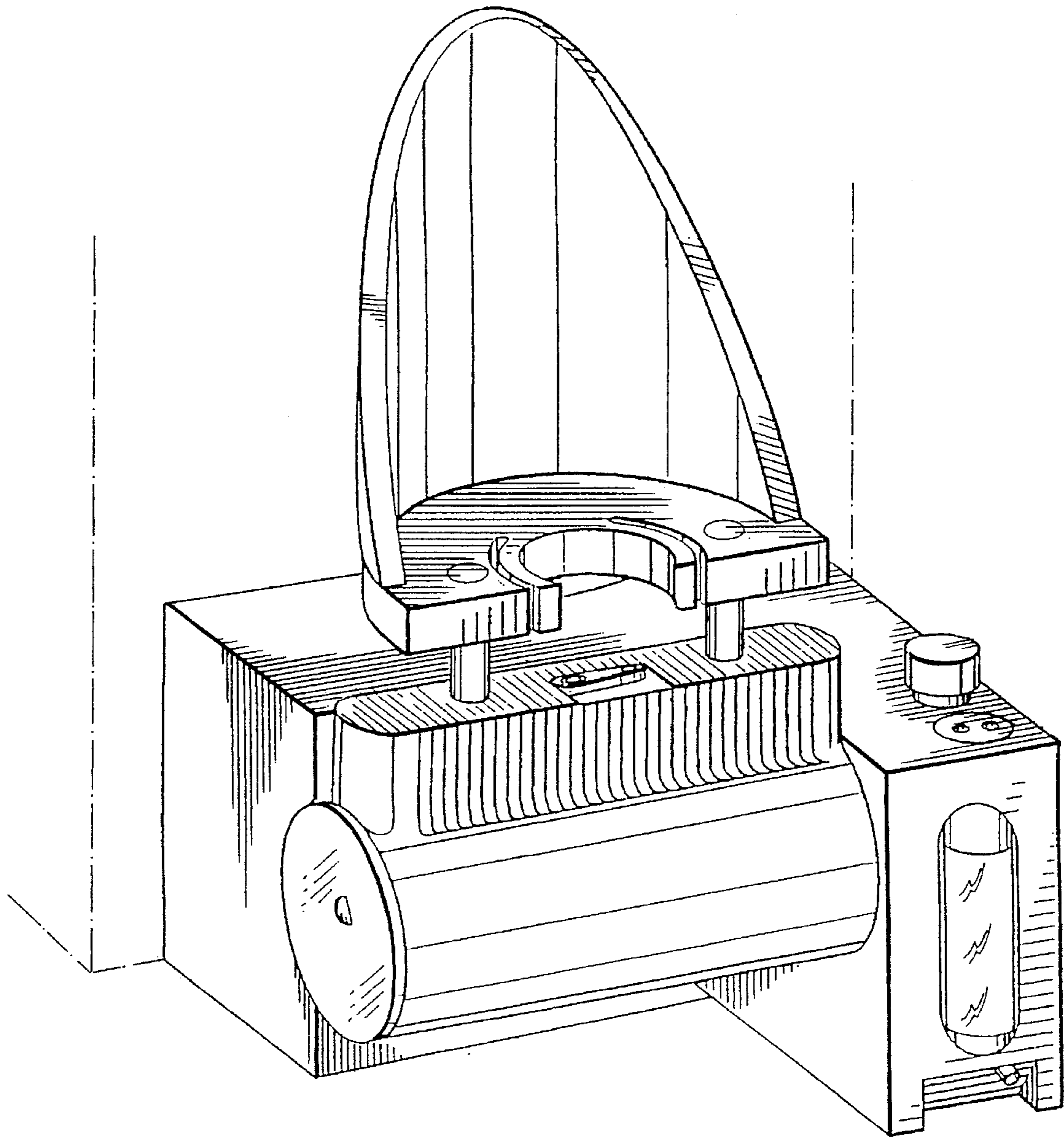


Figure 7

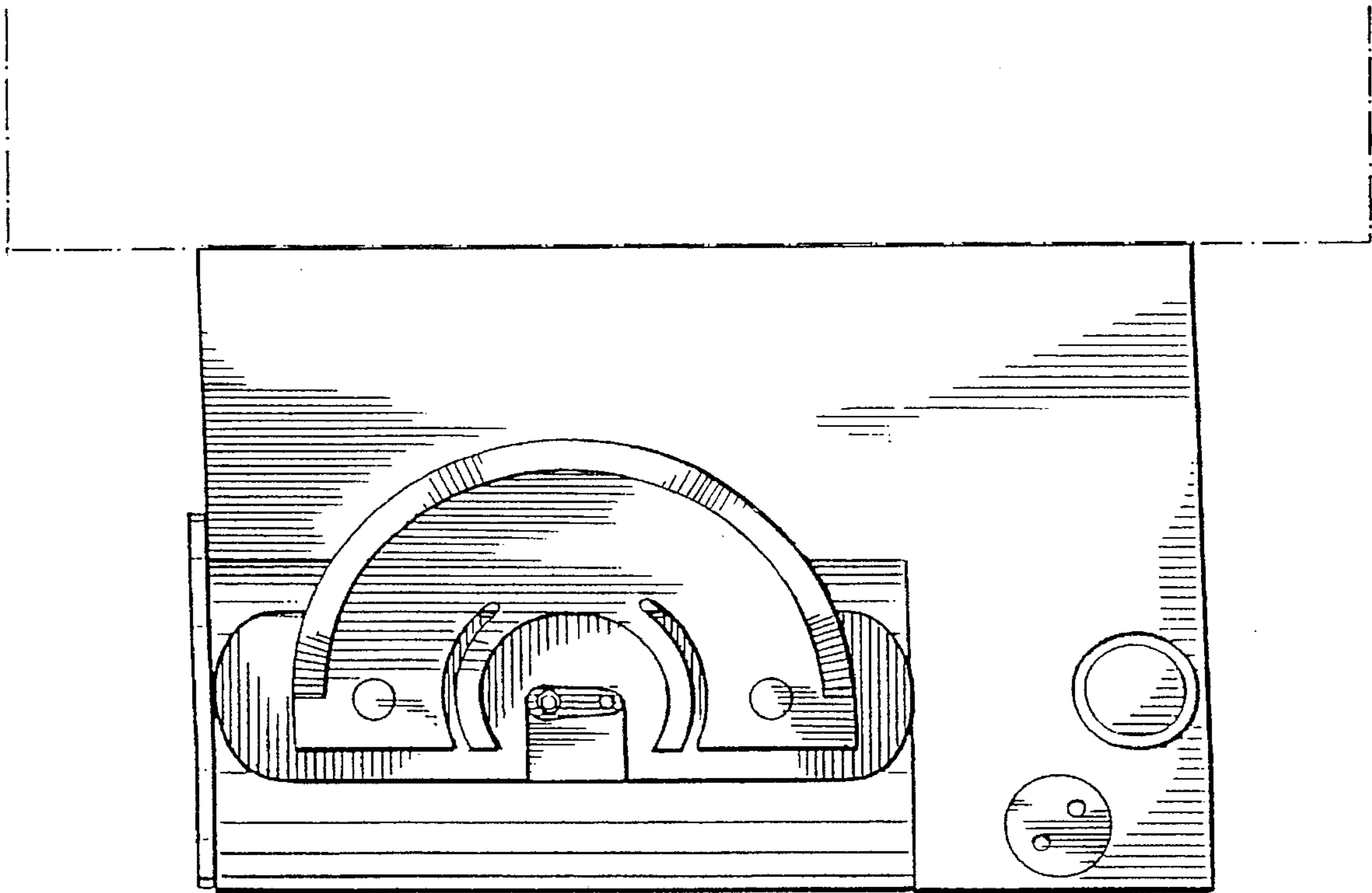
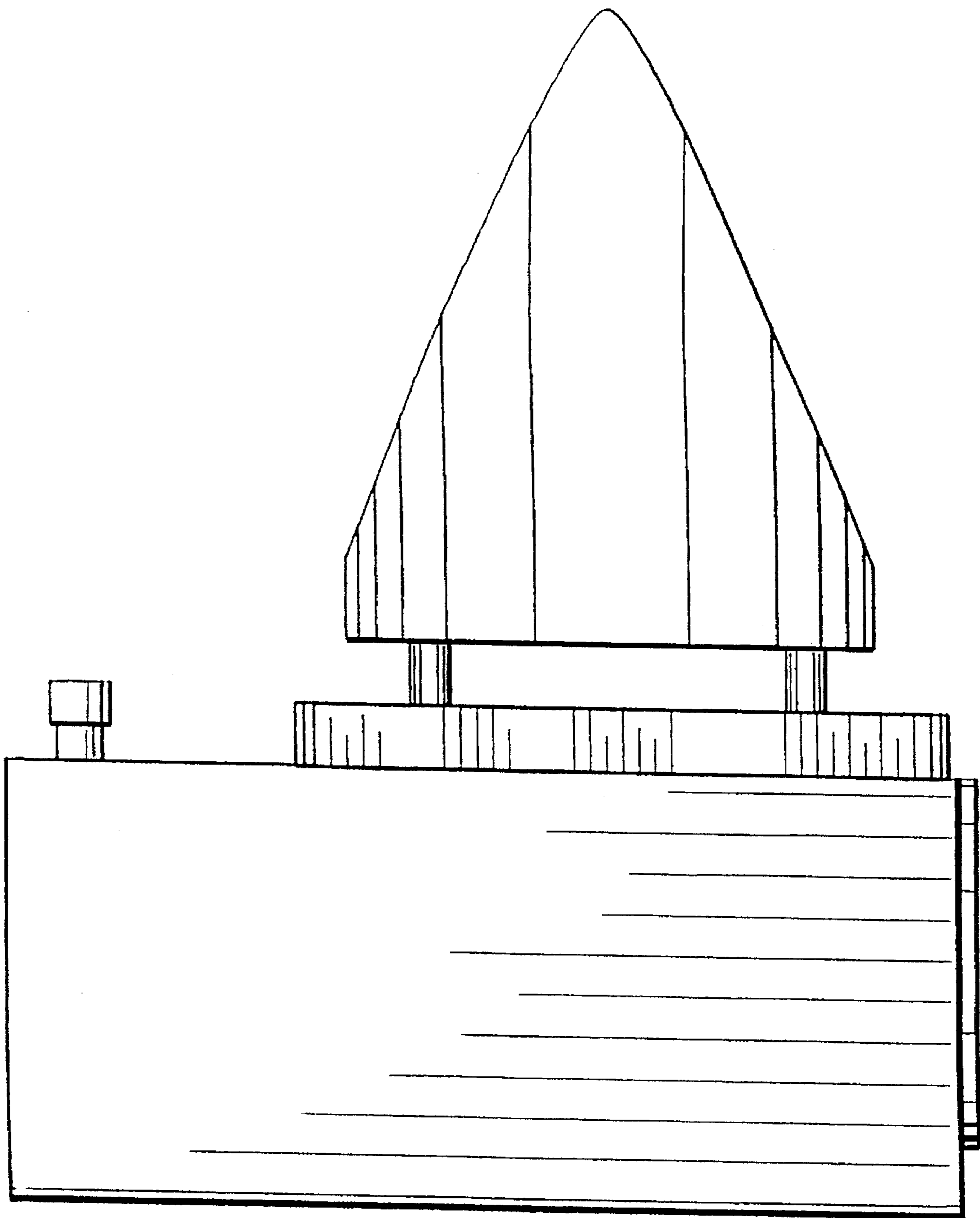
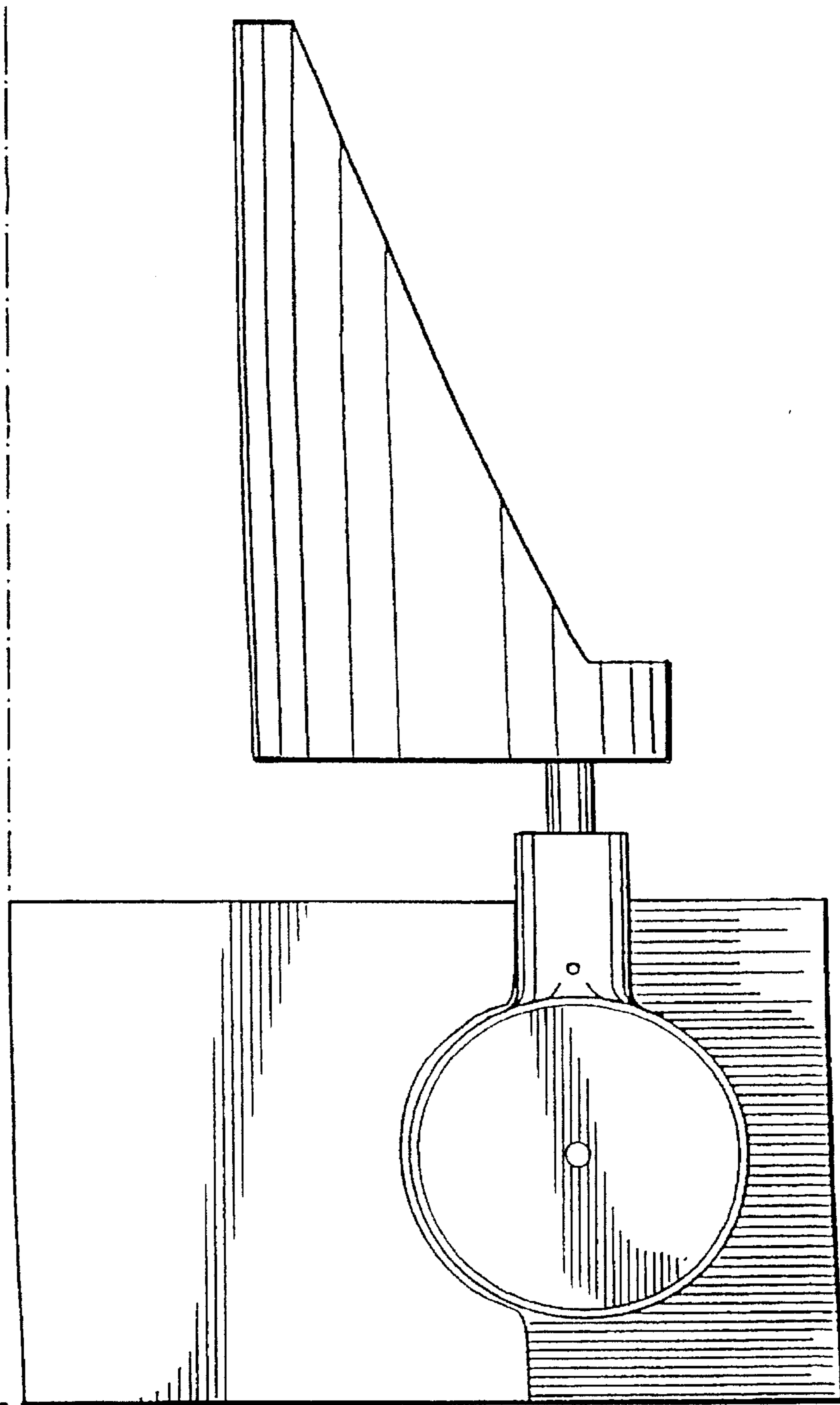


Figure 8





*Figure 9*



*Figure 10*

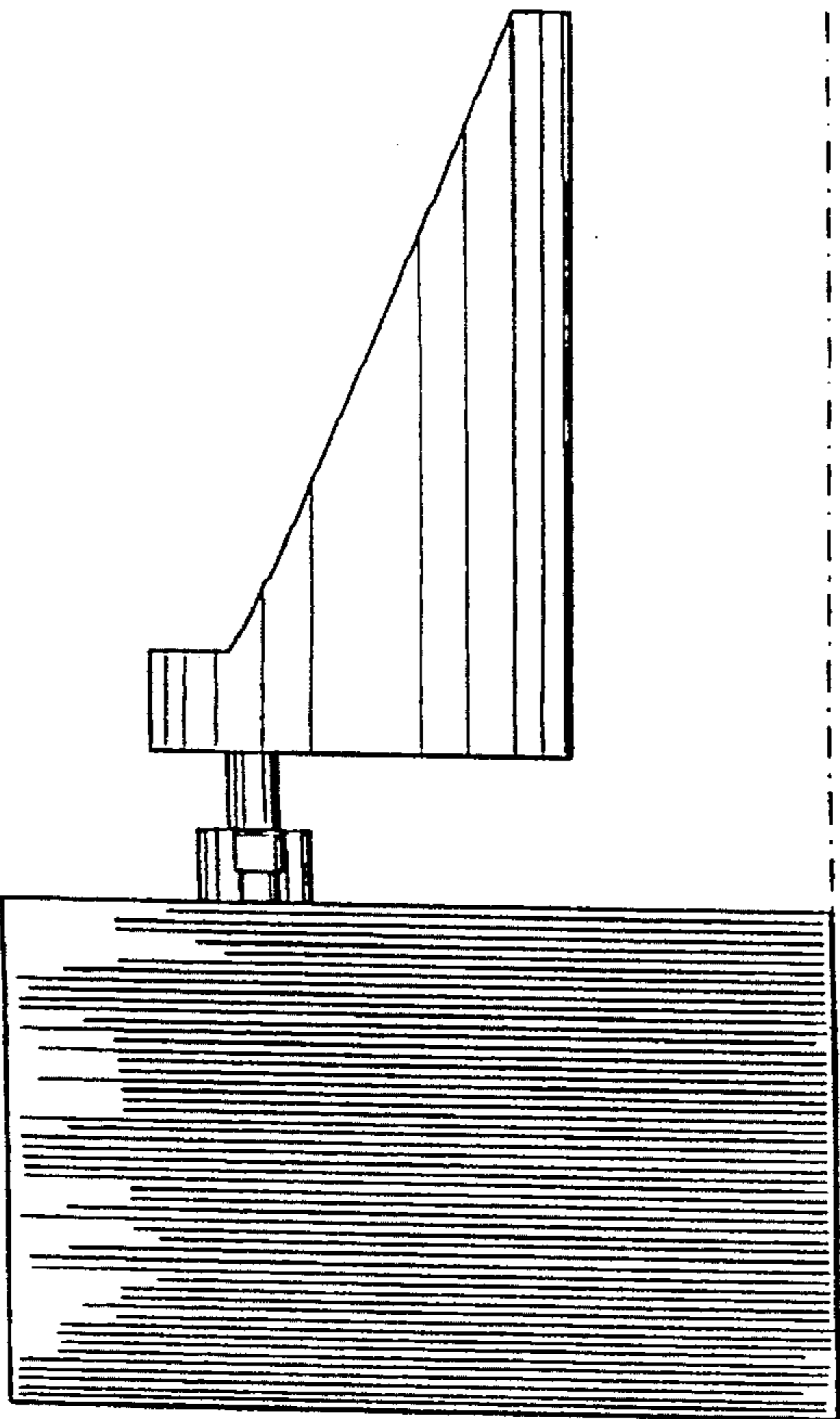


Figure 11

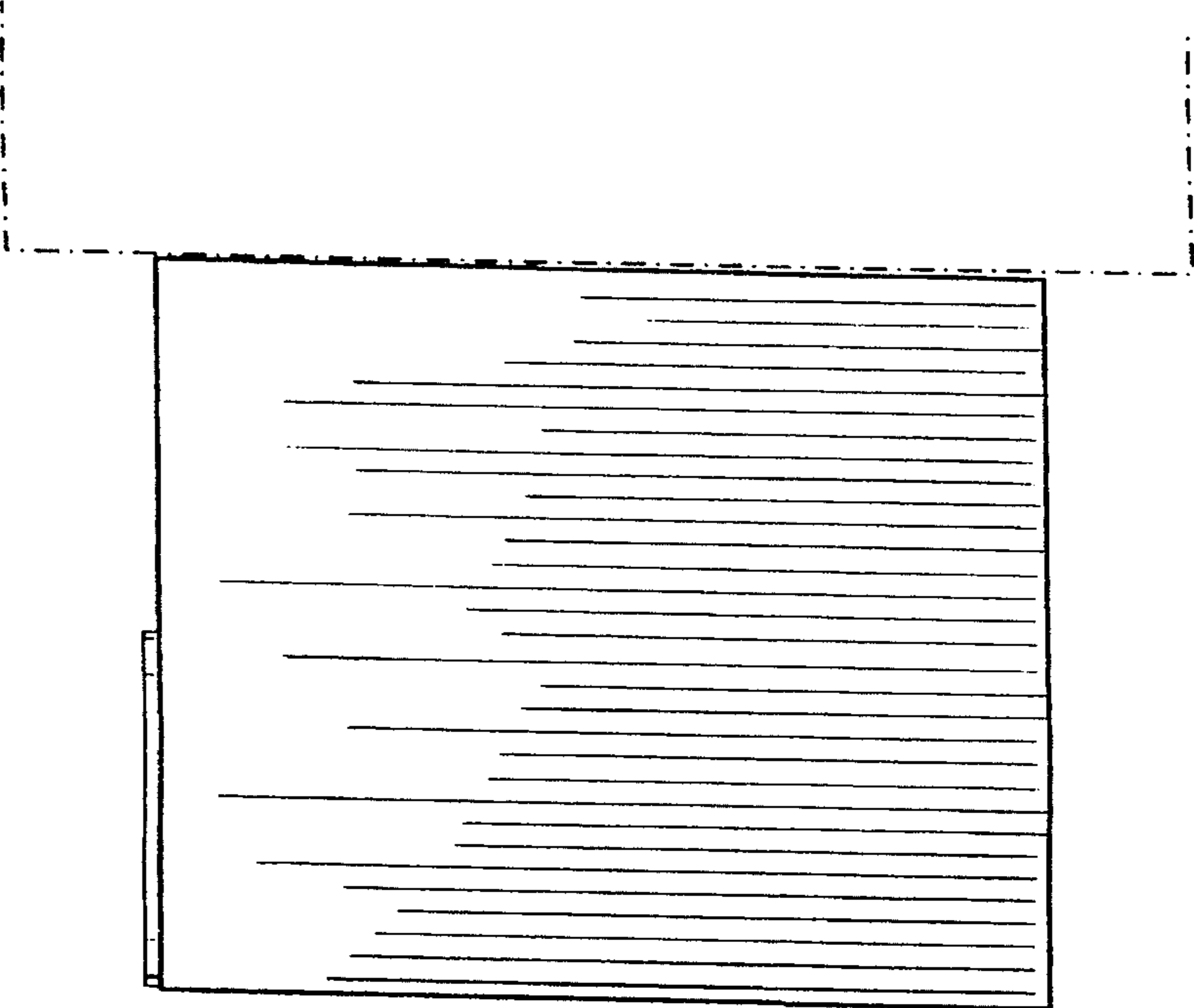


Figure 12