



US00D371602S

United States Patent [19]

[11] Patent Number: **Des. 371,602**

LoTurco

[45] Date of Patent: ****Jul. 9, 1996**

[54] TABLE TOP I.V. POLE

5,292,094 3/1994 VanKuiken 248/125
5,386,958 2/1995 Amato 248/146

[76] Inventor: **Raymond A. LoTurco**, 11506 W. Youth
Camp Rd., Columbus, Ind. 47201-9270

Primary Examiner—Louis S. Zarfes
Assistant Examiner—I. Simmons
Attorney, Agent, or Firm—Woodard, Emhardt, Naughton,
Moriarty & McNett

[**] Term: **14 Years**

[21] Appl. No.: **19,678**

[57] **CLAIM**

[22] Filed: **Mar. 8, 1994**

[52] U.S. Cl. **D24/128**

The ornamental design for a table top I.V. pole, as shown and described.

[58] Field of Search D24/129, 128,
D24/232; D6/411, 413; 248/188.7, 318,
121, 161

DESCRIPTION

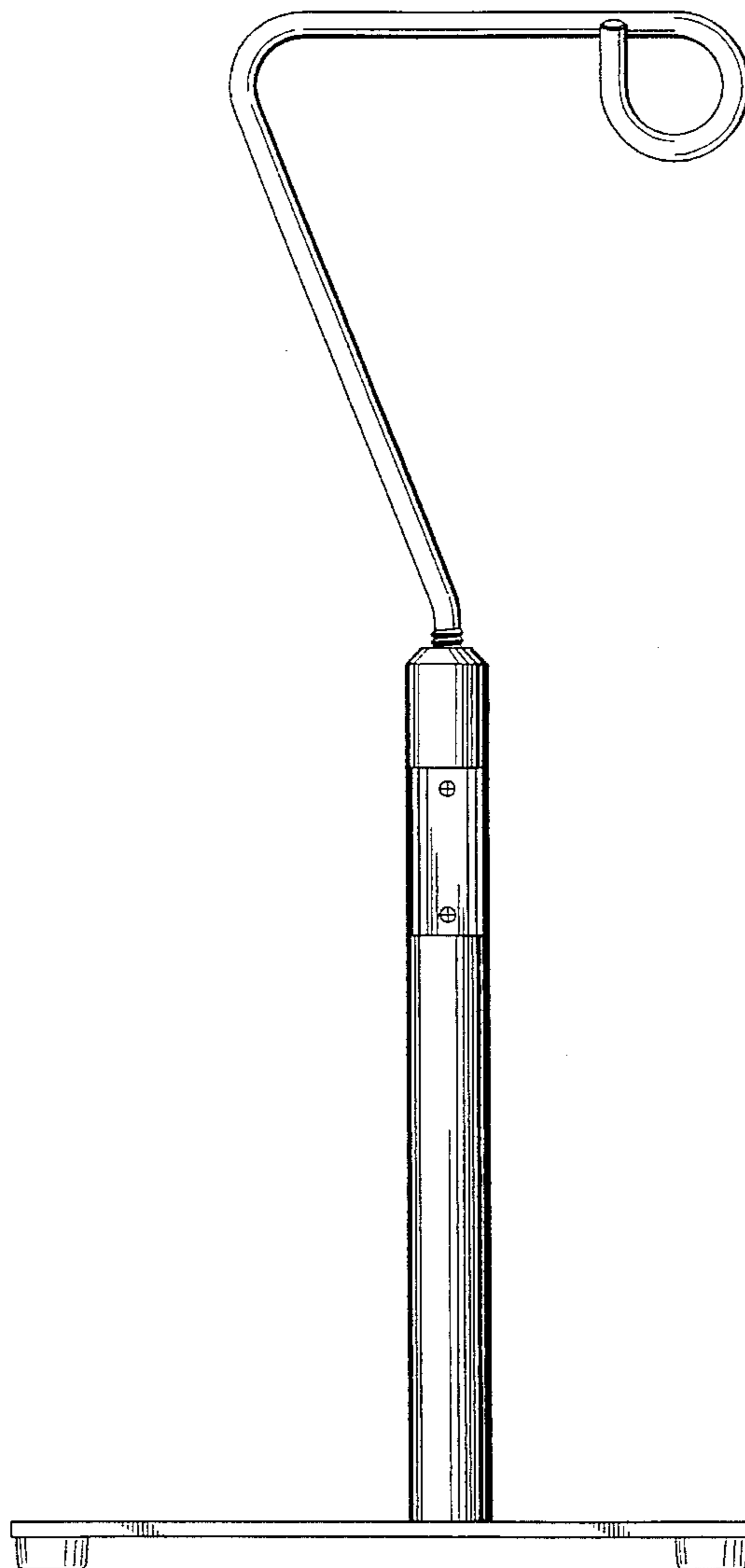
[56] **References Cited**

FIG. 1 is a top plan view of a table top I.V. pole according to my new design;
FIG. 2 is a bottom plan view;
FIG. 3 is a view of one side thereof;
FIG. 4 is a view of the other side thereof;
FIG. 5 is a view of the front thereof; and,
FIG. 6 is a view of the rear thereof.

U.S. PATENT DOCUMENTS

D. 260,432	8/1981	Kadar	D24/113
D. 307,182	4/1990	Smith	D24/128
2,914,831	12/1959	McBrien	248/125 X
4,511,157	4/1985	Wilt, Jr.	248/125 X
4,711,636	12/1987	Bierman	D24/128 X
4,966,340	10/1990	Hunter	248/125

1 Claim, 5 Drawing Sheets



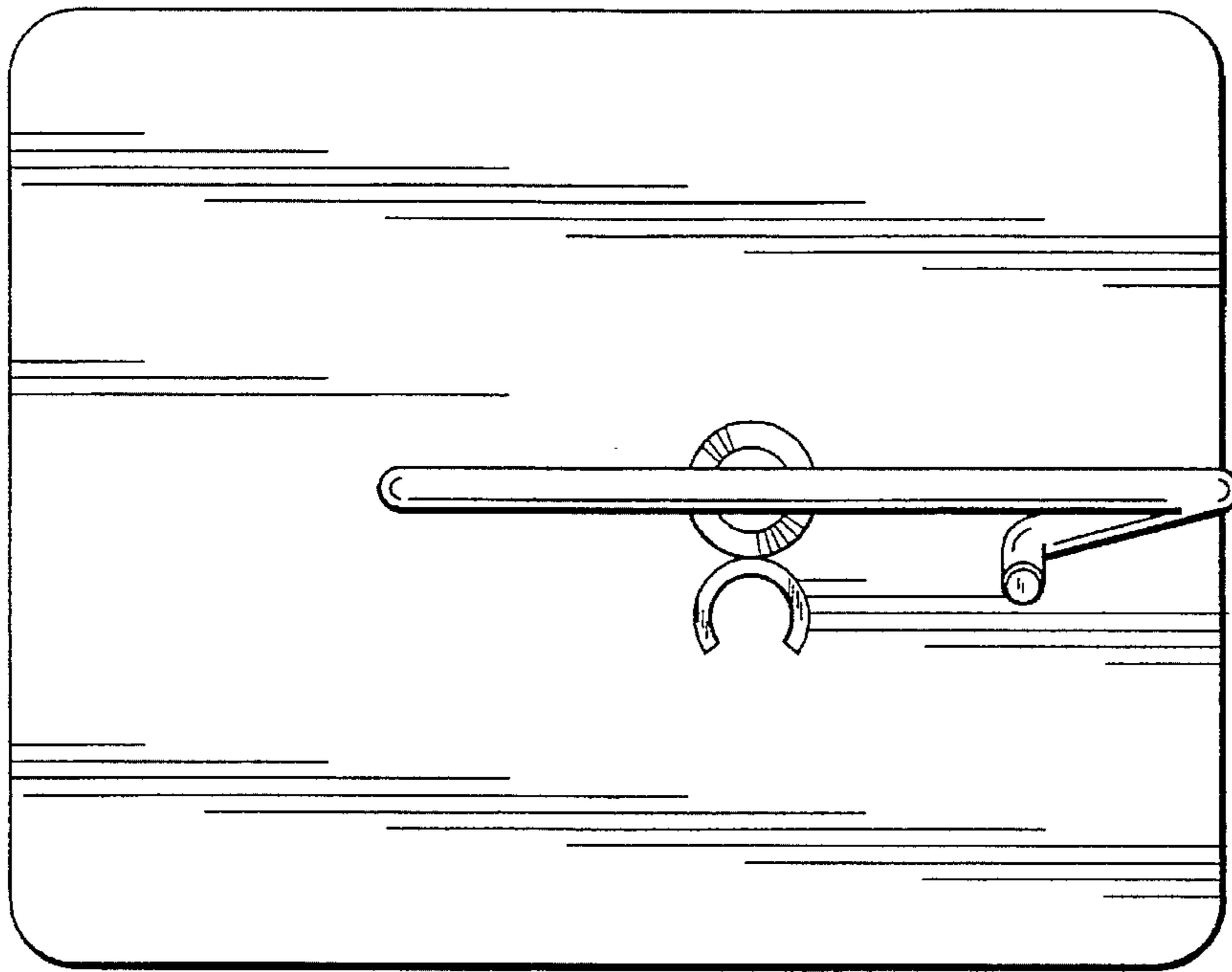


Fig. 1

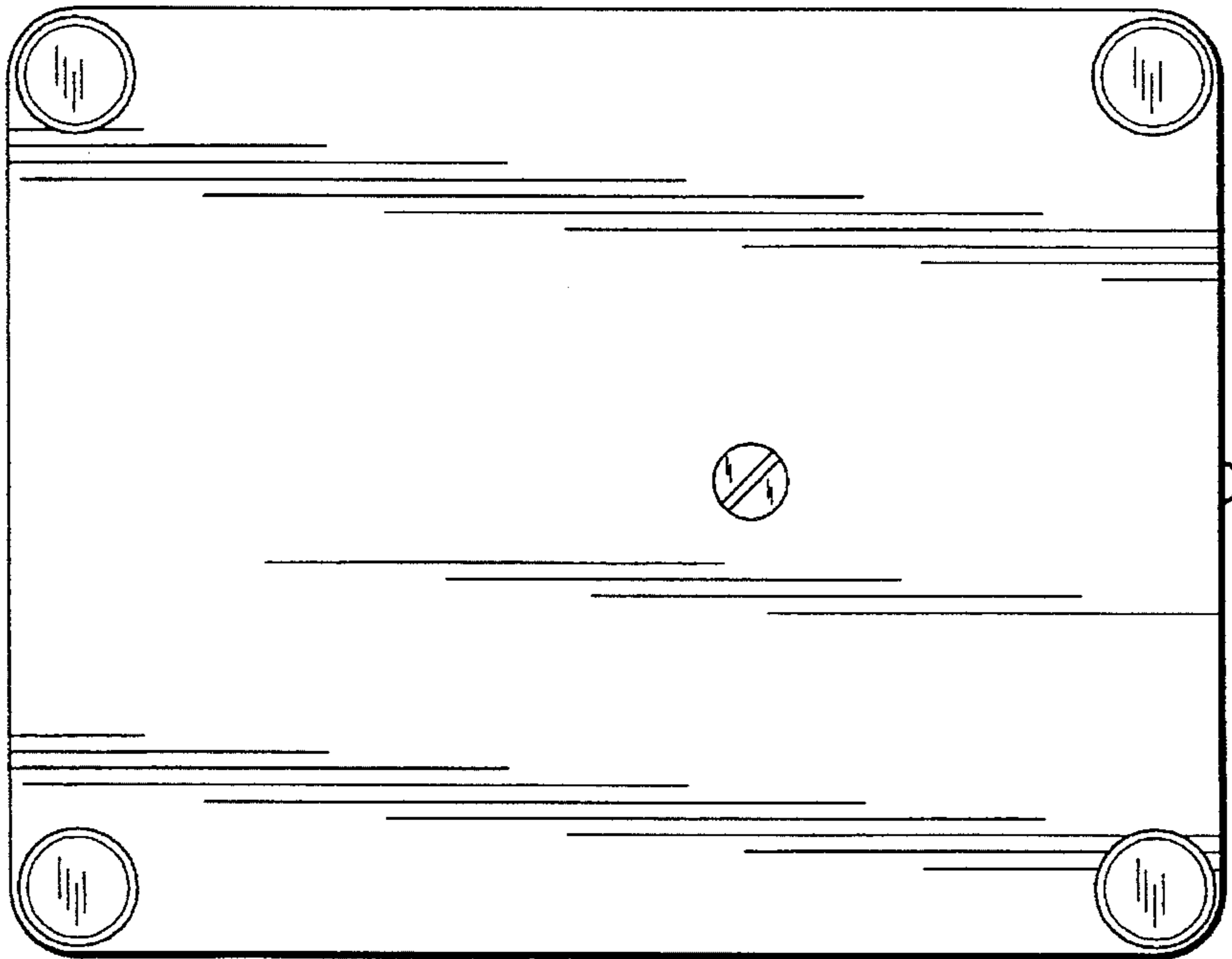


Fig. 2

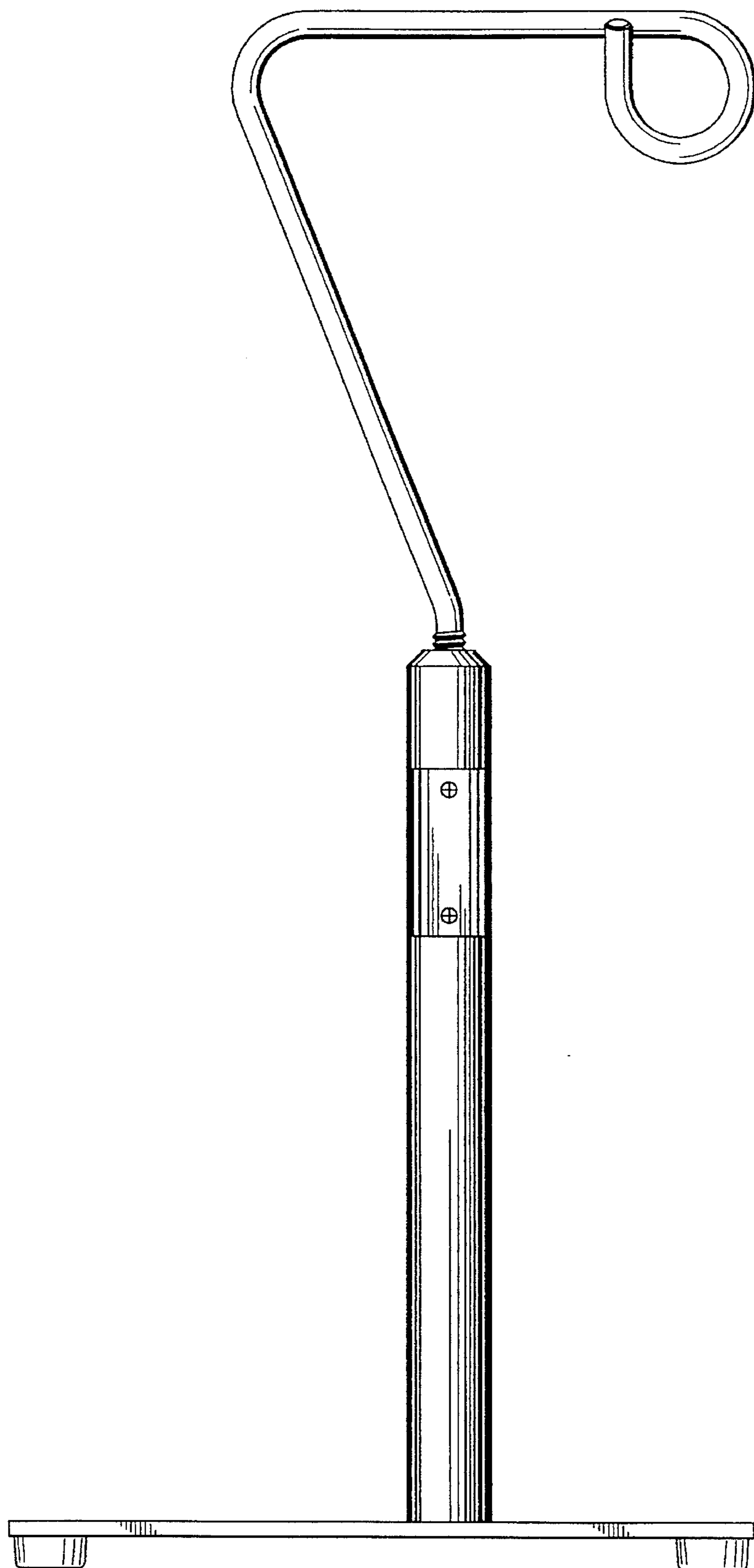


Fig. 3

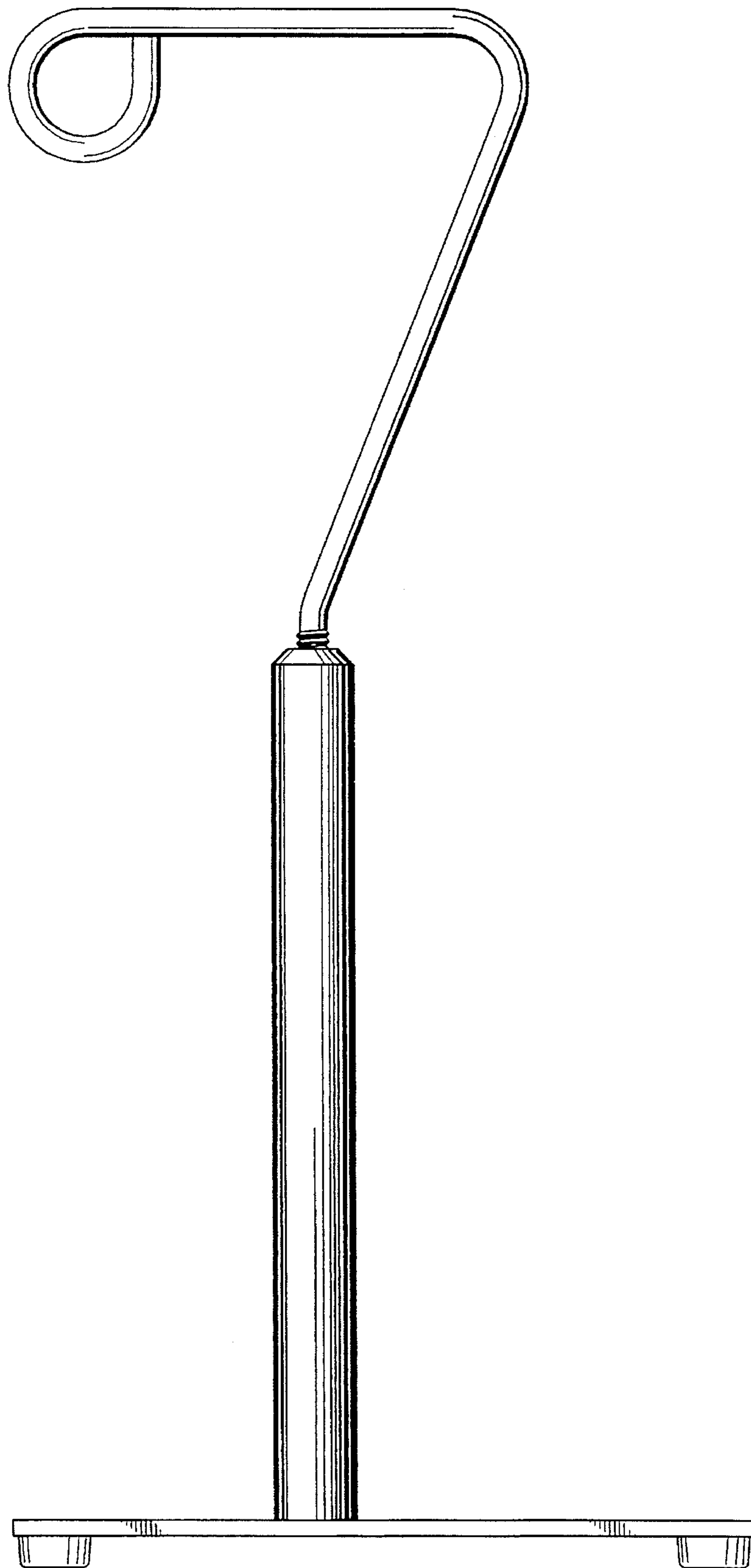


Fig. 4

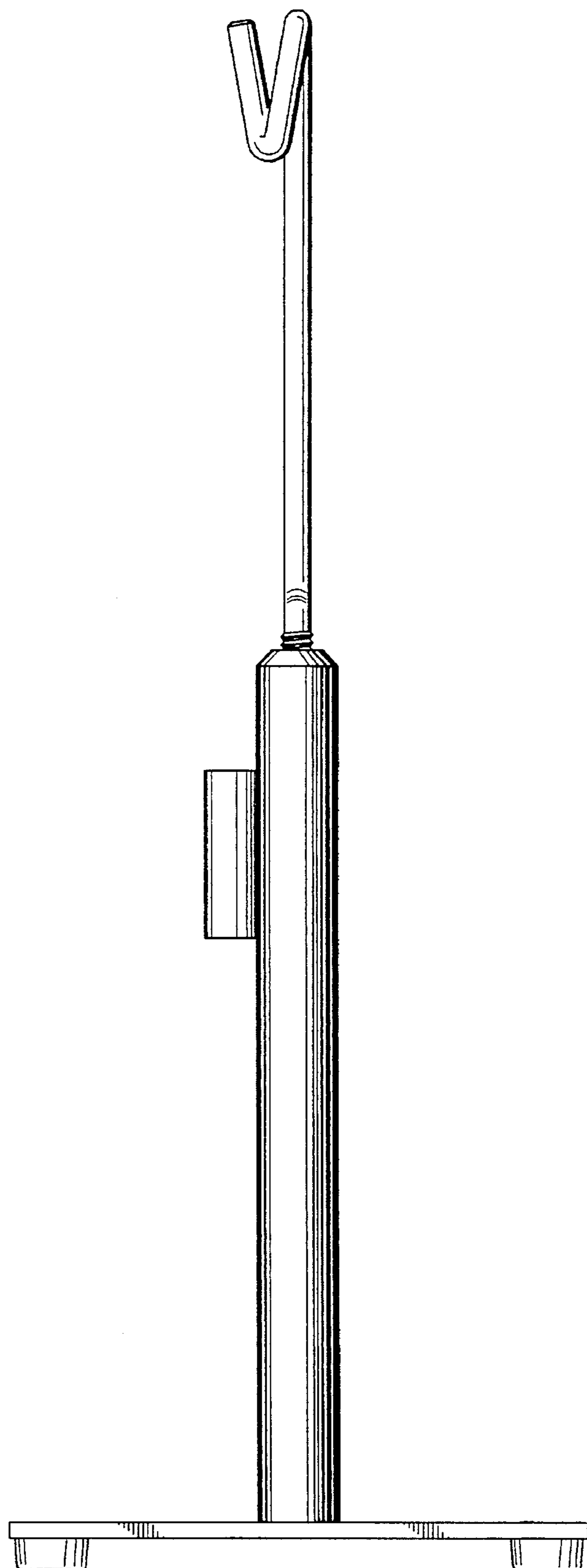


Fig. 5

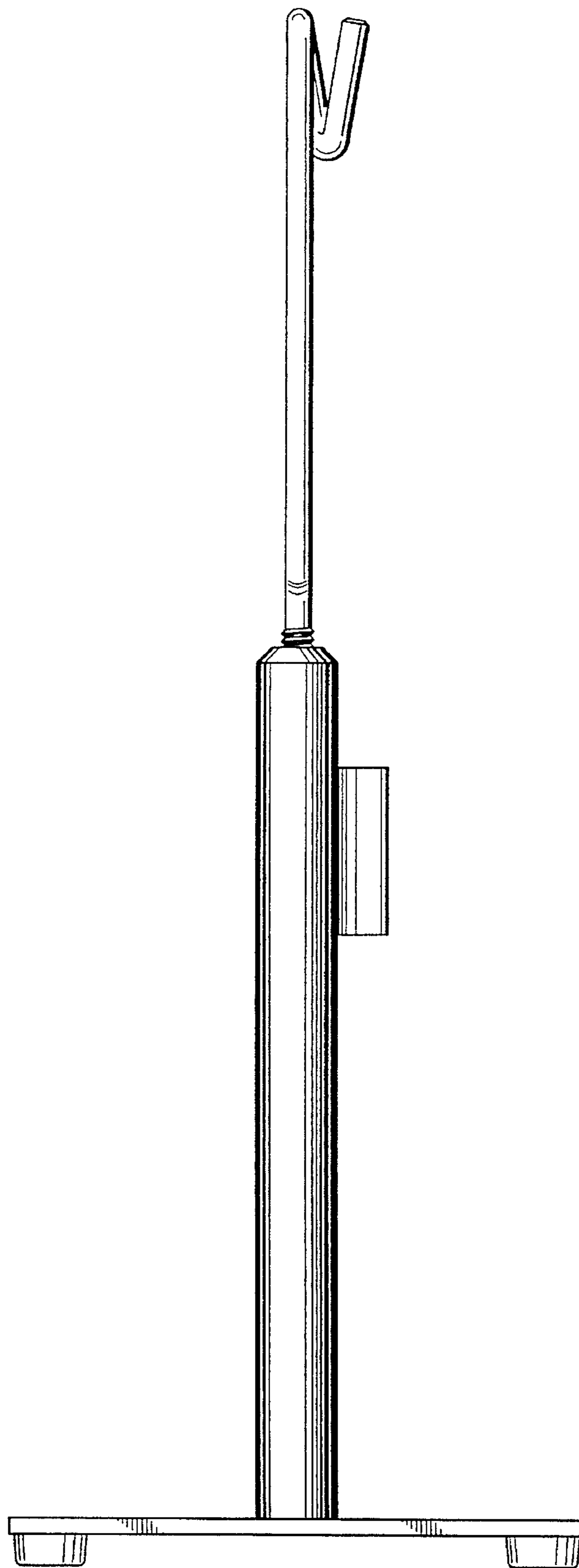


Fig. 6