



US00D371601S

**United States Patent** [19]  
**Markles**

[11] **Patent Number:** **Des. 371,601**

[45] **Date of Patent:** **\*\*Jul. 9, 1996**

- [54] **FEMALE URINE FUNNEL**
- [75] Inventor: **Elmer C. Markles**, Hemet, Calif.
- [73] Assignee: **JEB Products, Inc.**, Hemet, Calif.
- [\*\*] Term: **14 Years**
- [21] Appl. No.: **20,480**
- [22] Filed: **Mar. 28, 1994**
- [52] U.S. Cl. .... **D24/122; D7/700**
- [58] Field of Search ..... **D24/122, 121, D24/123; D7/700; 128/760, 761; 604/327, 329, 328, 331, 346, 347, 349**

3,964,111	6/1976	Packer .....	604/327 X
4,347,878	9/1982	Schofield .....	D7/700 X
4,904,248	2/1990	Vaillancourt .....	604/327 X

*Primary Examiner*—Louis S. Zarfes  
*Assistant Examiner*—I. Simmons  
*Attorney, Agent, or Firm*—Edgar W. Averill, Jr.

[57] **CLAIM**

The ornamental design for a female urine funnel, as shown and described.

**DESCRIPTION**

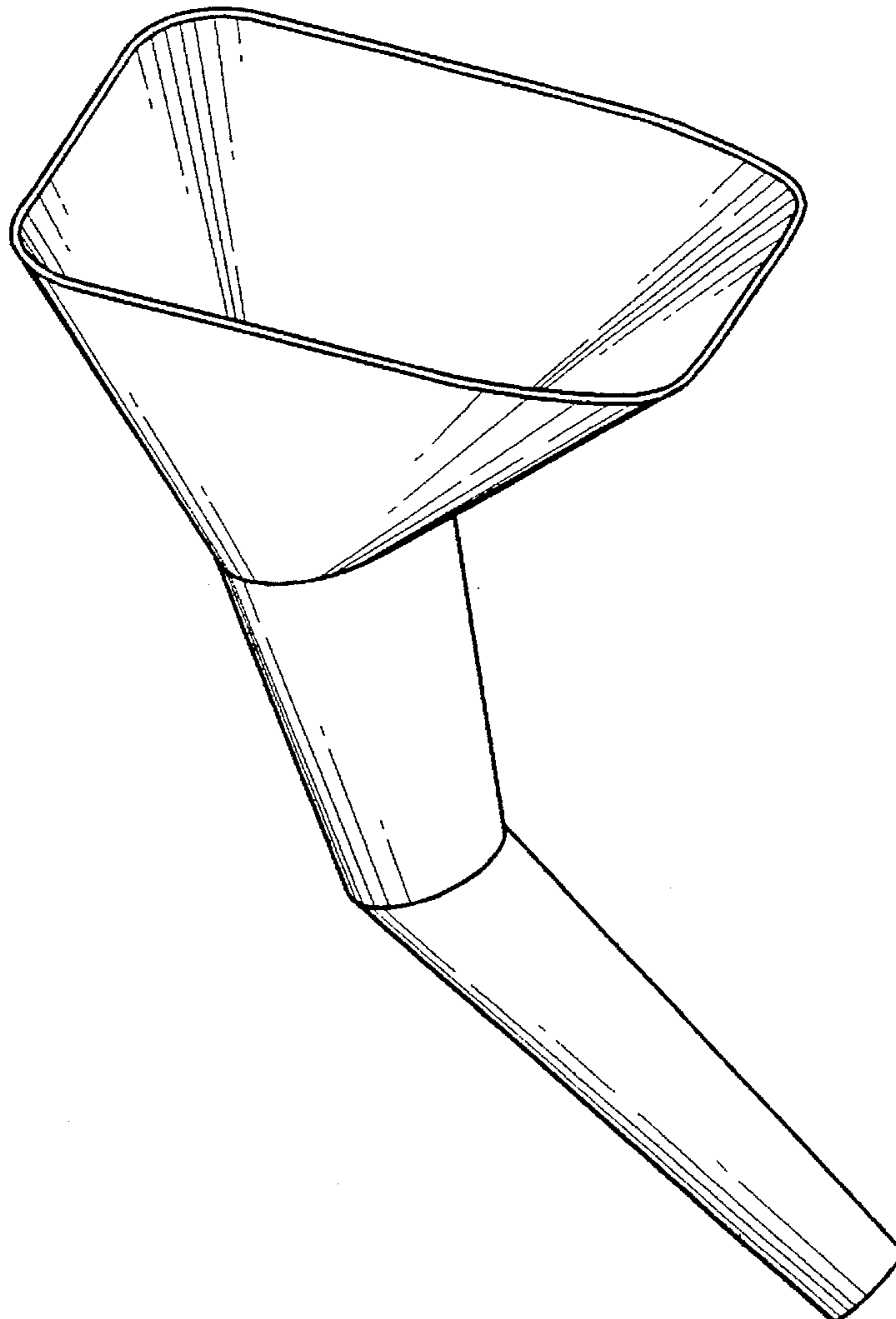
FIG. 1 is a perspective view showing the top, right side and back of the female urine funnel showing my new design; FIG. 2 is a top view thereof; FIG. 3 is a front view thereof; FIG. 4 is a right side view thereof; FIG. 5 is a back view thereof; and, FIG. 6 is a bottom view thereof.

[56] **References Cited**

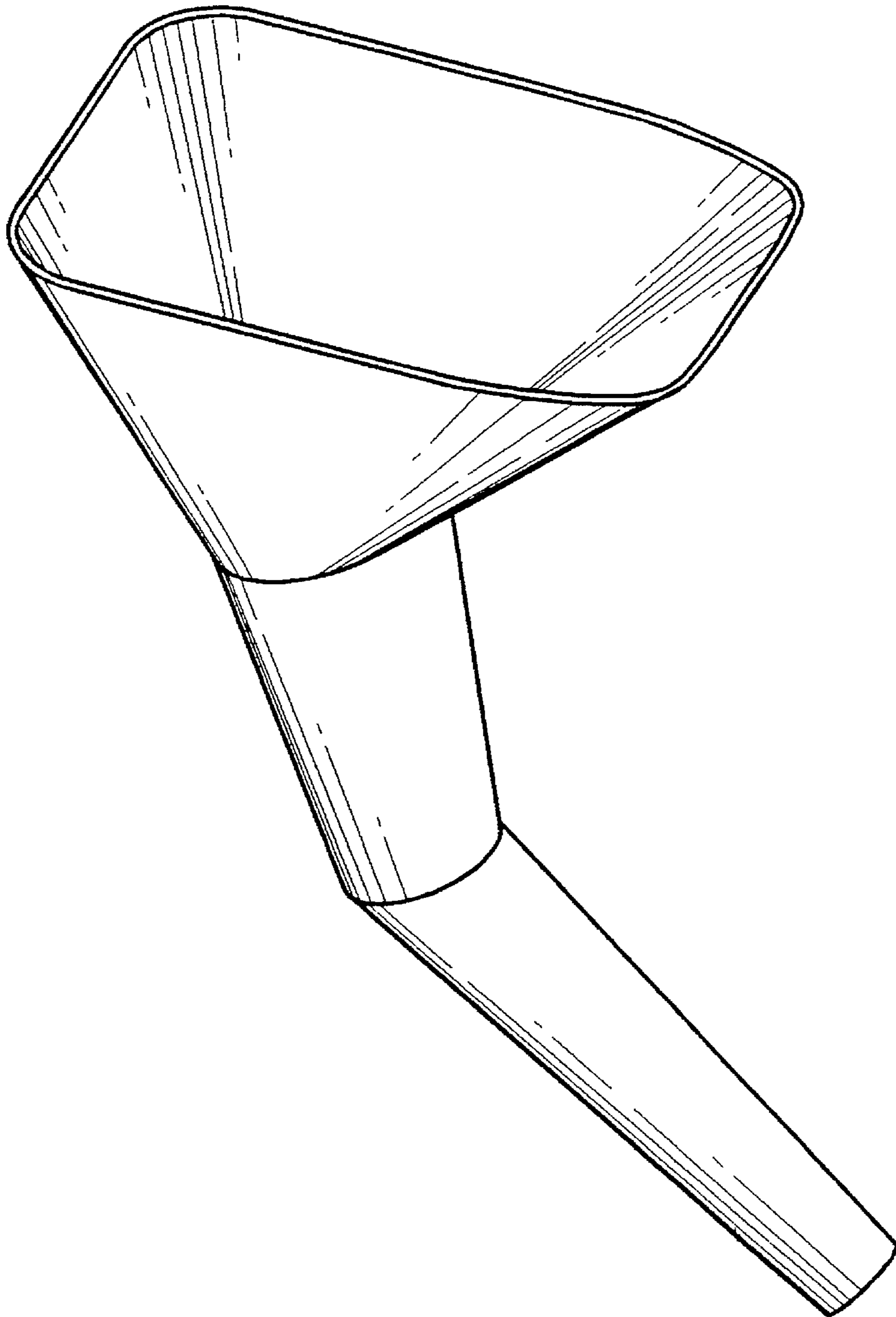
**U.S. PATENT DOCUMENTS**

D. 218,773	9/1970	Sitts .....	D7/700
D. 227,413	6/1973	Sherin .....	D24/122 X
D. 340,460	10/1993	Pollak et al. ....	D7/700
D. 340,468	10/1993	Pollak et al. ....	D7/700
2,490,969	12/1949	Kinyon .....	604/329

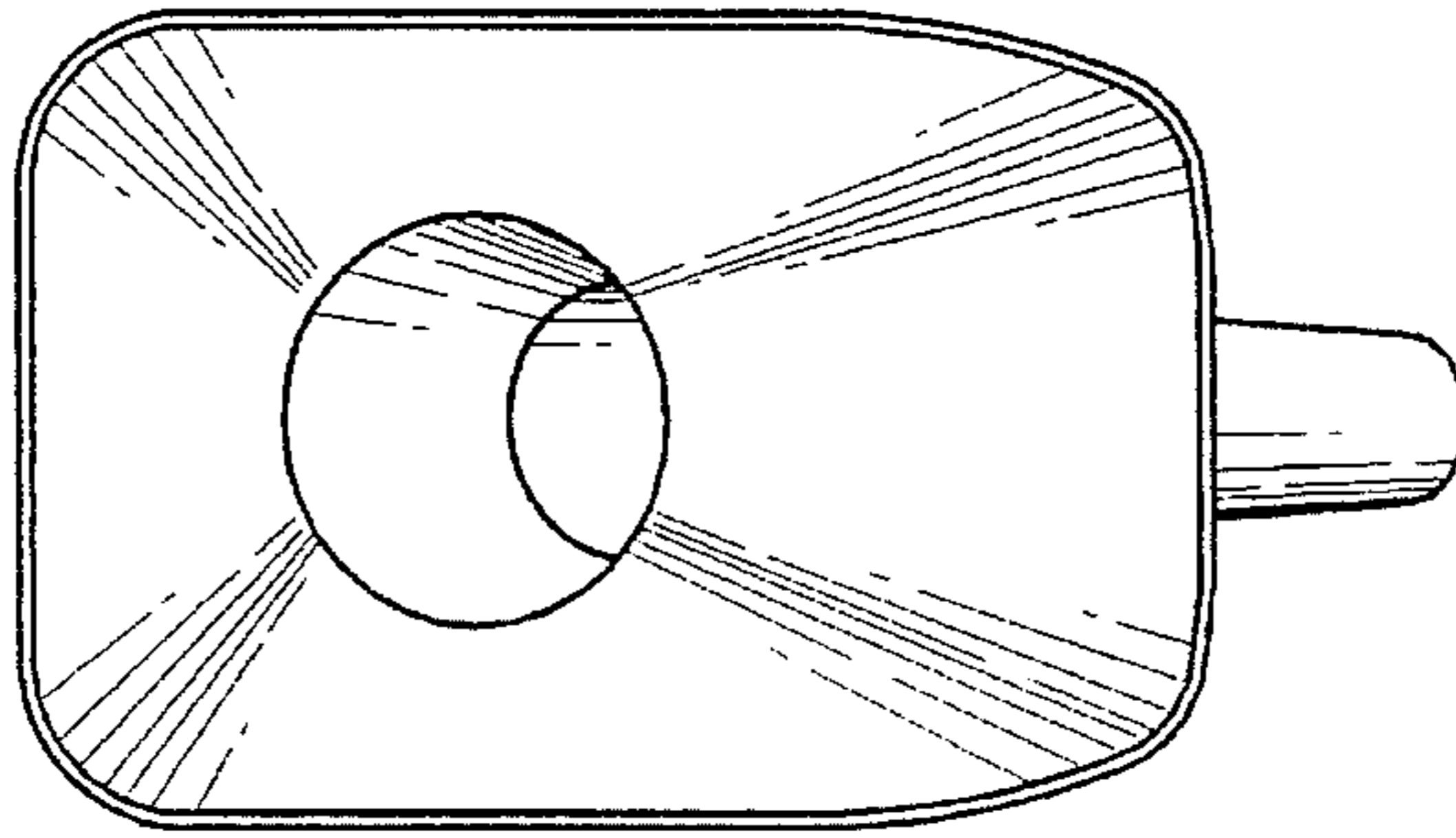
**1 Claim, 2 Drawing Sheets**



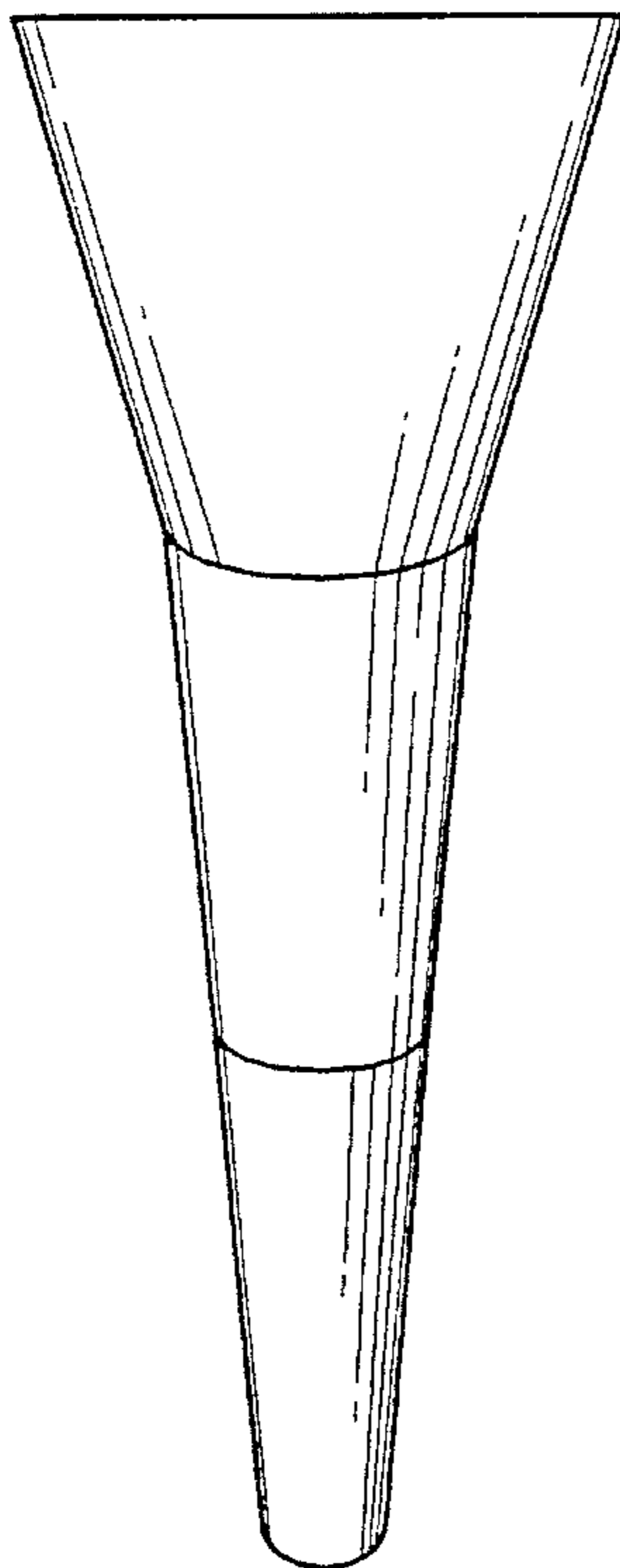
*Fig. 1*



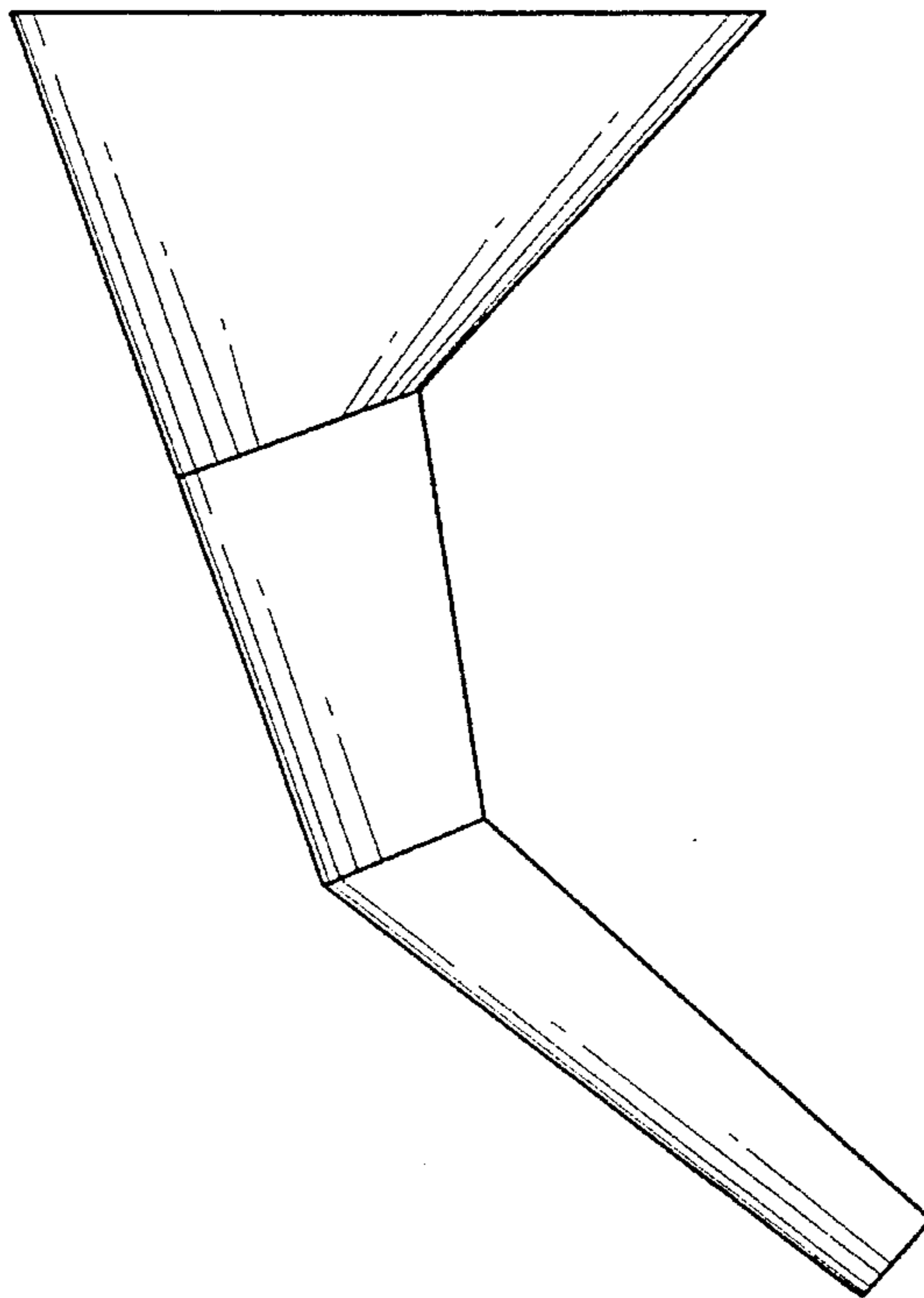
*Fig. 2*



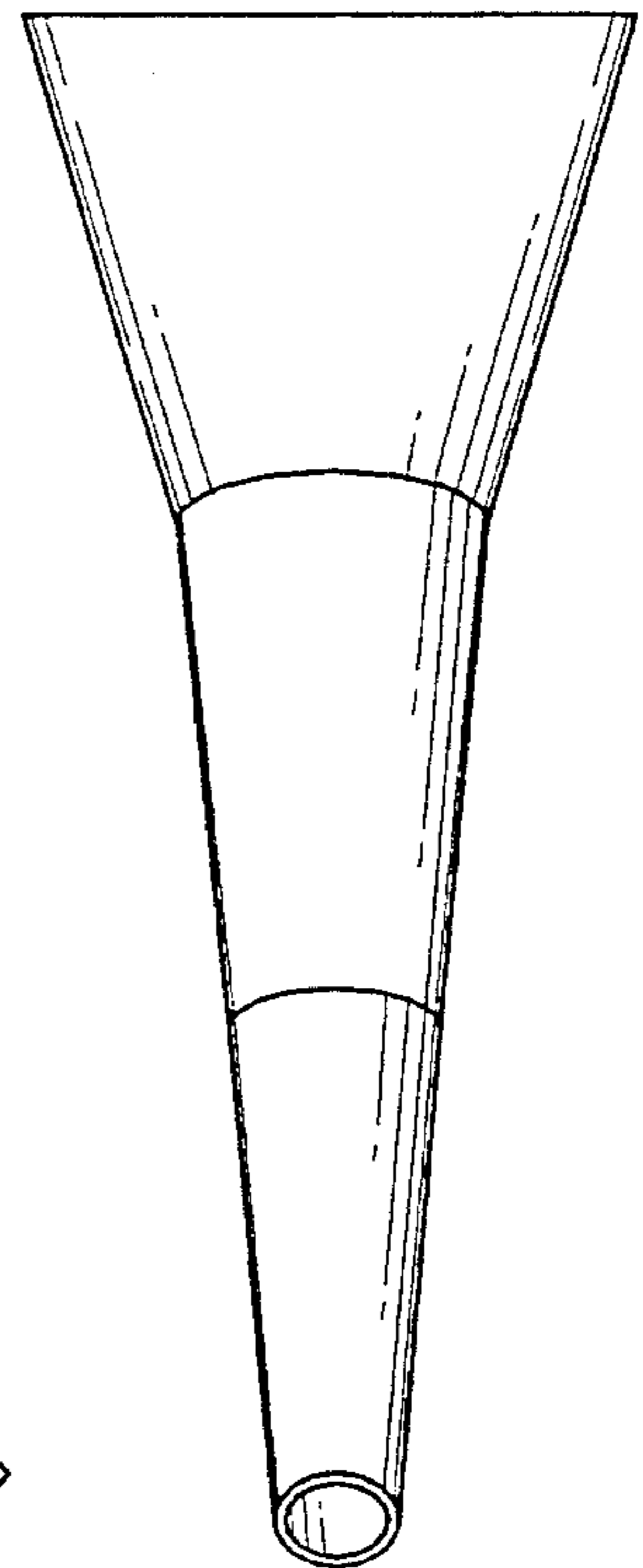
*Fig. 3*



*Fig. 4*



*Fig. 5*



*Fig. 6*

