



US00D371595S

United States Patent [19]

[11] Patent Number: **Des. 371,595**

Pieper et al.

[45] Date of Patent: ****Jul. 9, 1996**

[54] SEAT ATTACHABLE FISHING ROD SUPPORT

4,682,438	7/1987	Arrow	43/21.2
4,835,896	6/1989	Bowen	43/21.2
4,879,963	11/1989	Dionne	43/21.2 X
4,893,578	1/1990	Doerfer et al.	114/363
5,325,620	7/1994	Reed et al.	43/21.2

[75] Inventors: **Raymond J. Pieper**, St. Louis; **Robert Sieland**, Wright City, both of Mo.

[73] Assignee: **Boat-A-System, Inc.**, St. Louis, Mo.

[**] Term: **14 Years**

Primary Examiner—Doris V. Coles
Attorney, Agent, or Firm—Howell & Haferkamp

[21] Appl. No.: **28,709**

[22] Filed: **Sep. 20, 1994**

[52] U.S. Cl. **D22/147**

[58] Field of Search D22/147, 148;
D6/368, 335, 336; 43/21.2, 17, 16; 114/363;
211/70.8, 107; 248/538, 514, 513, 528,
520, 517, 530, 511; 297/188.1, 217.1

[57] CLAIM

The ornamental design for seat attachable fishing rod support, as shown and described.

DESCRIPTION

FIG. 1 is a perspective view of a seat attachable fishing rod showing our new design;
FIG. 2 is another perspective view thereof;
FIG. 3 is a right side elevational view thereof;
FIG. 4 is a left side elevational view thereof;
FIG. 5 is a top plan view thereof;
FIG. 6 is a bottom plan view thereof;
FIG. 7 is a front elevational view thereof; and,
FIG. 8 is a rear elevational view thereof.

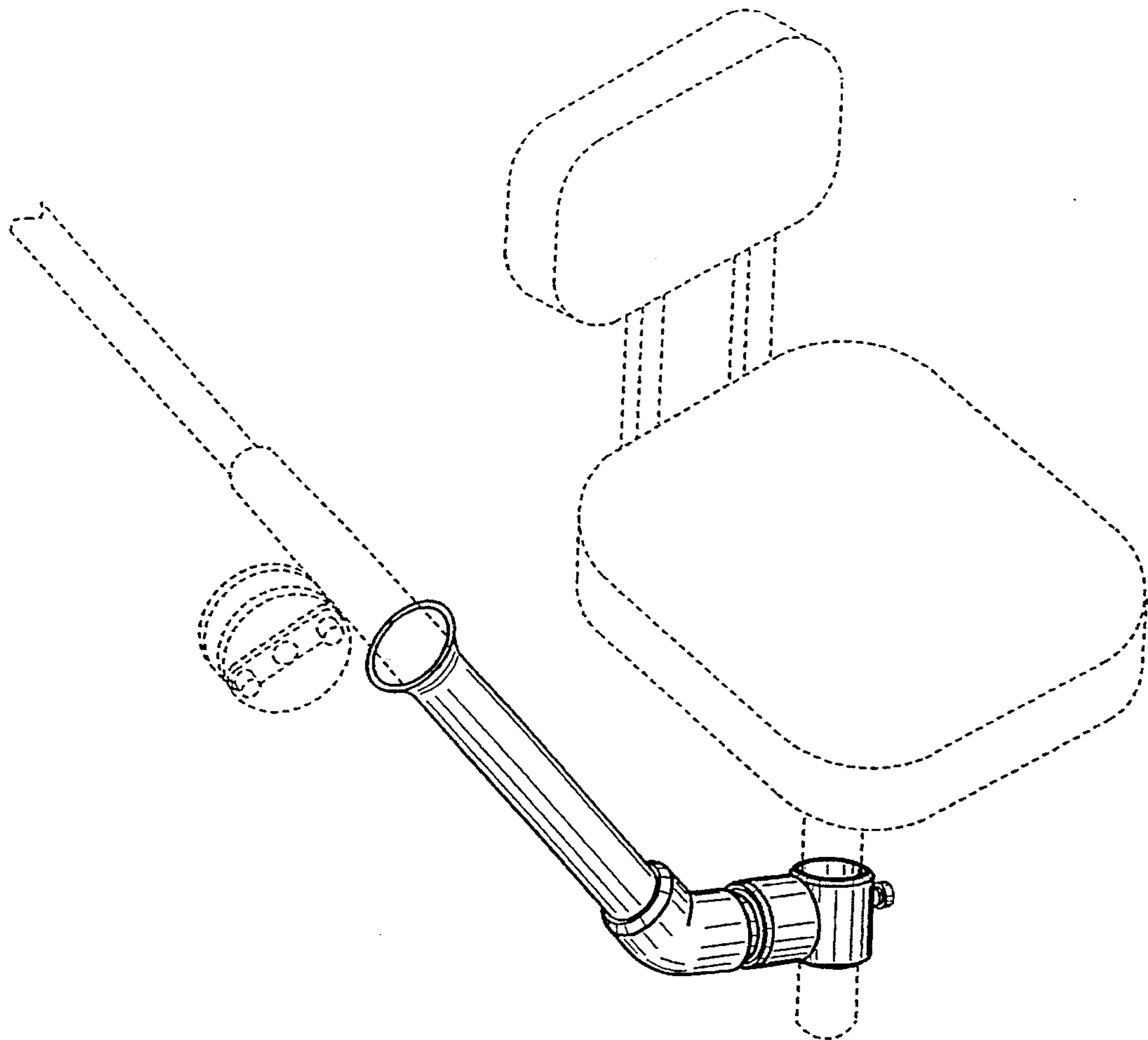
The broken line showing of environment in FIG. 1 is for illustrative purposes only and forms no part of the claimed design.

[56] References Cited

U.S. PATENT DOCUMENTS

D. 341,261	11/1993	Decklever et al.	D6/367
D. 352,342	11/1994	Arck	D2/147
1,406,571	2/1922	McCoy	248/511 X
3,077,327	2/1963	Batie et al.	297/188.01 X
3,151,910	10/1967	Larson	248/511 X
3,623,766	11/1971	Funk	297/188.01

1 Claim, 3 Drawing Sheets



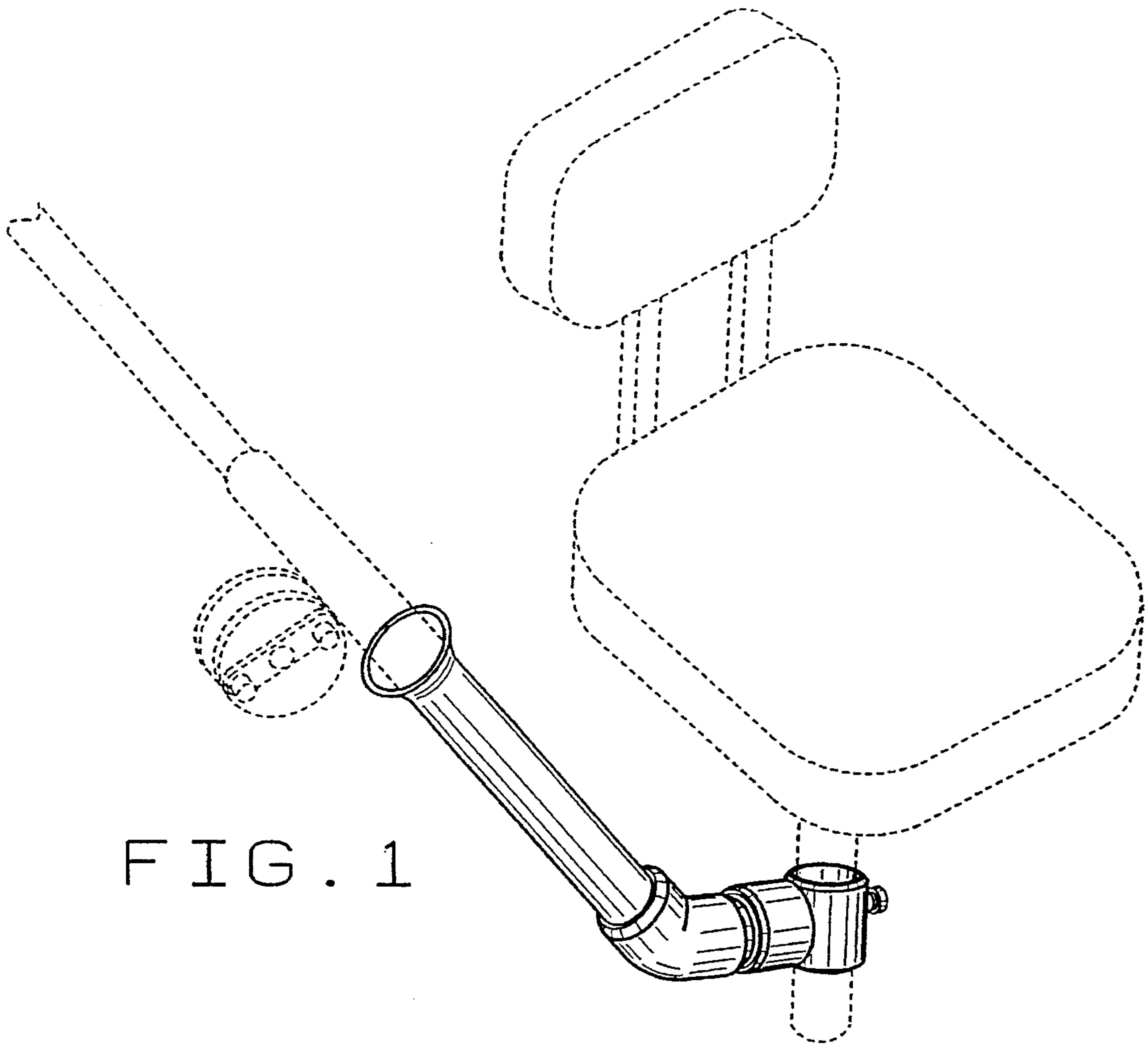


FIG. 1

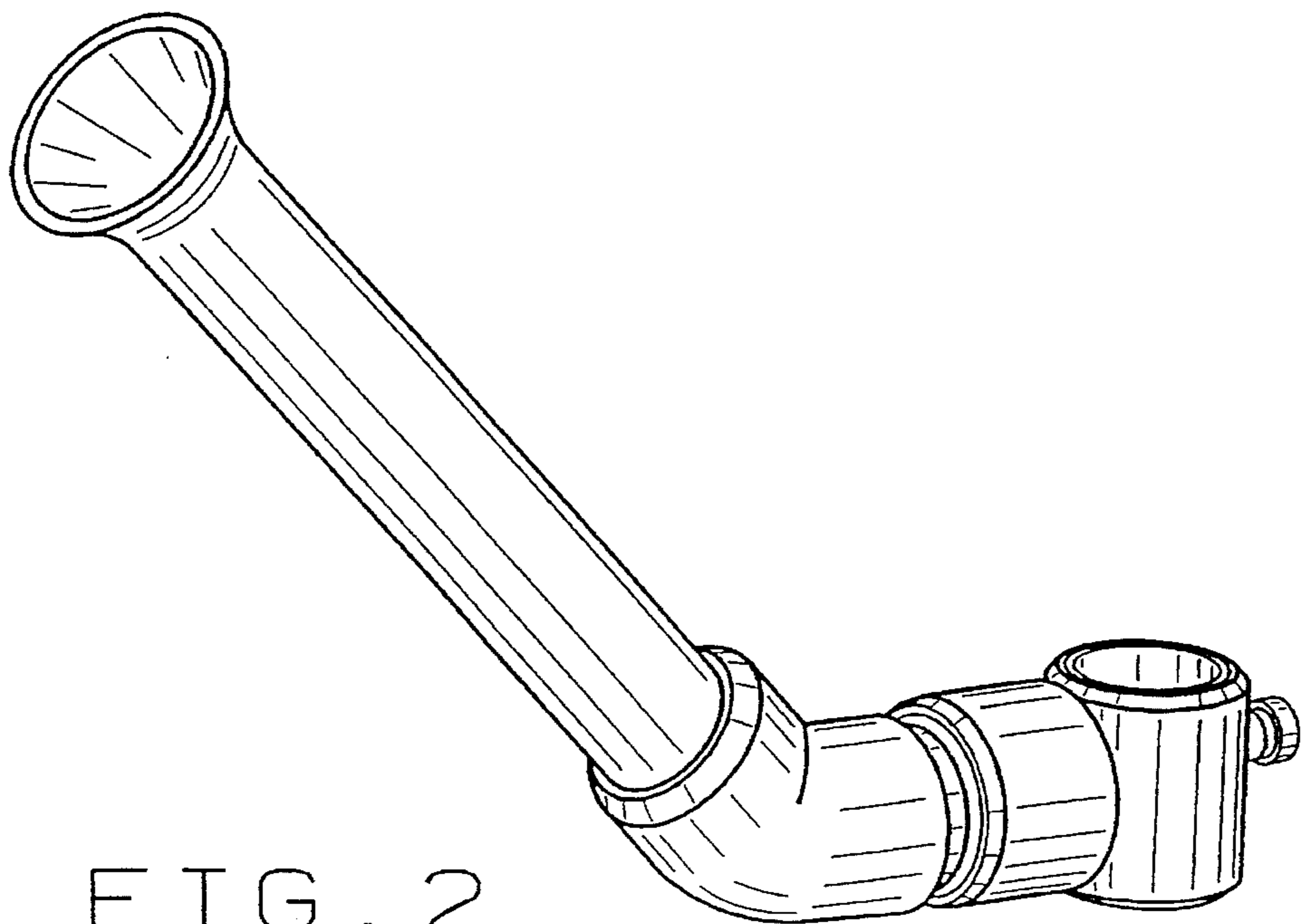


FIG. 2

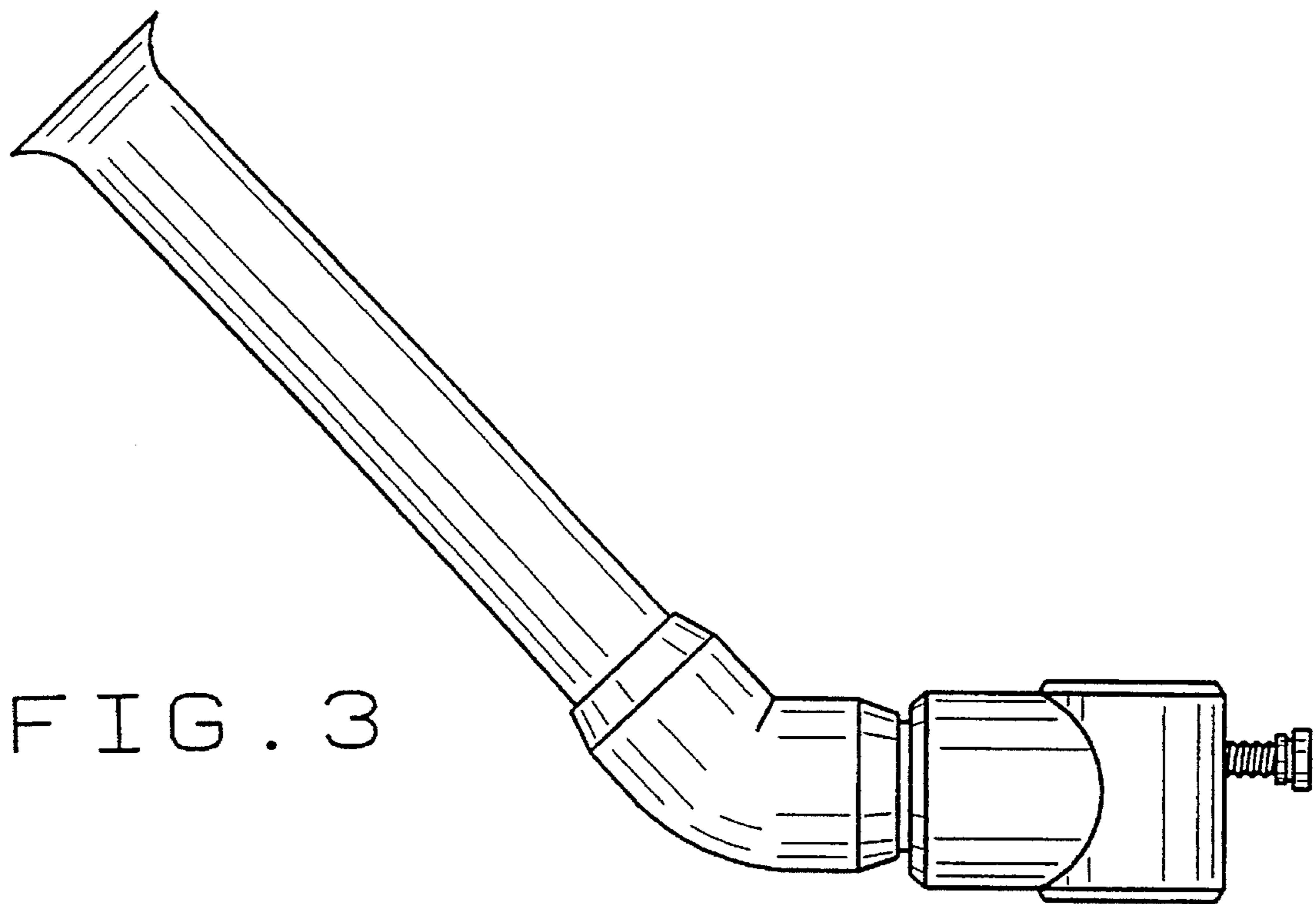


FIG. 3

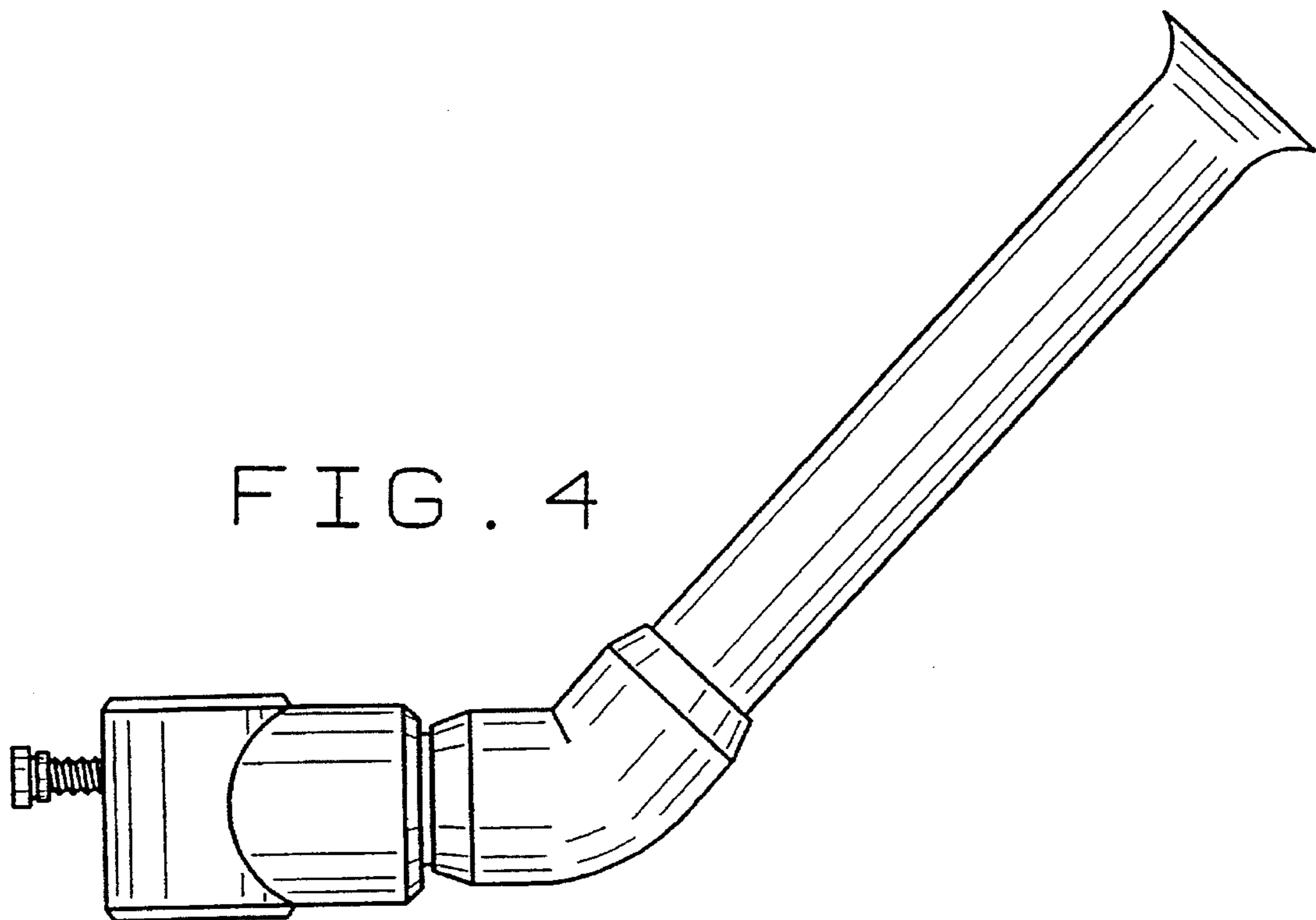


FIG. 4

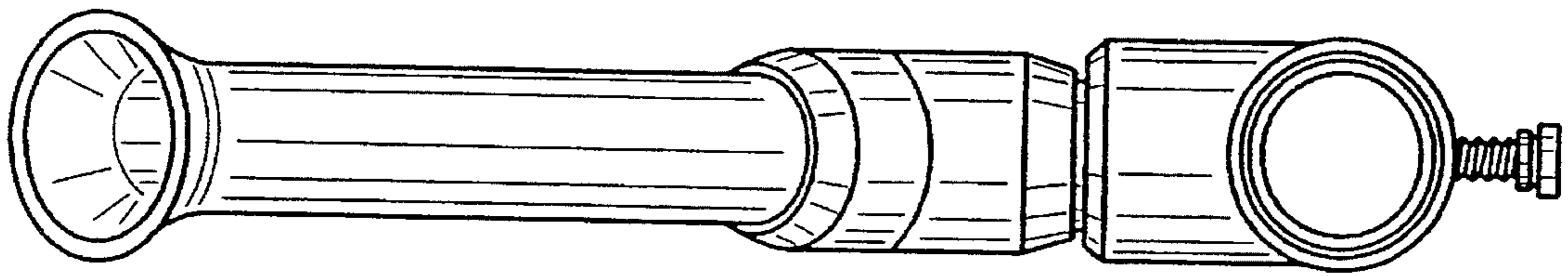


FIG. 5

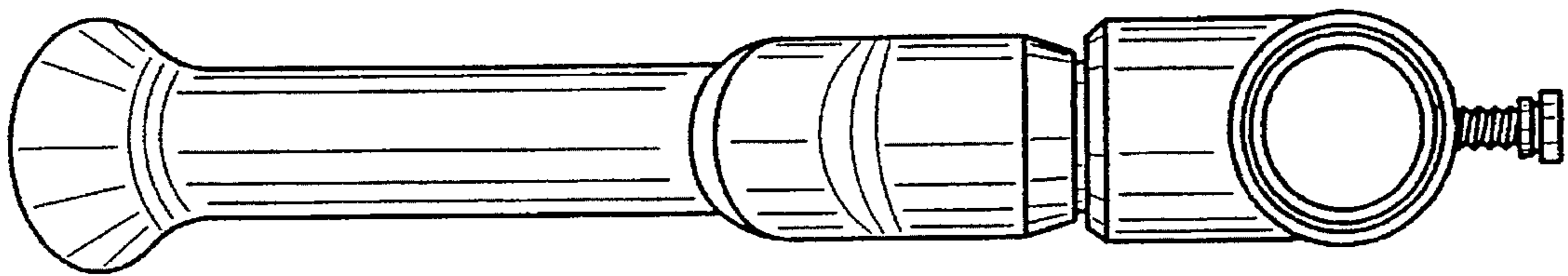


FIG. 6

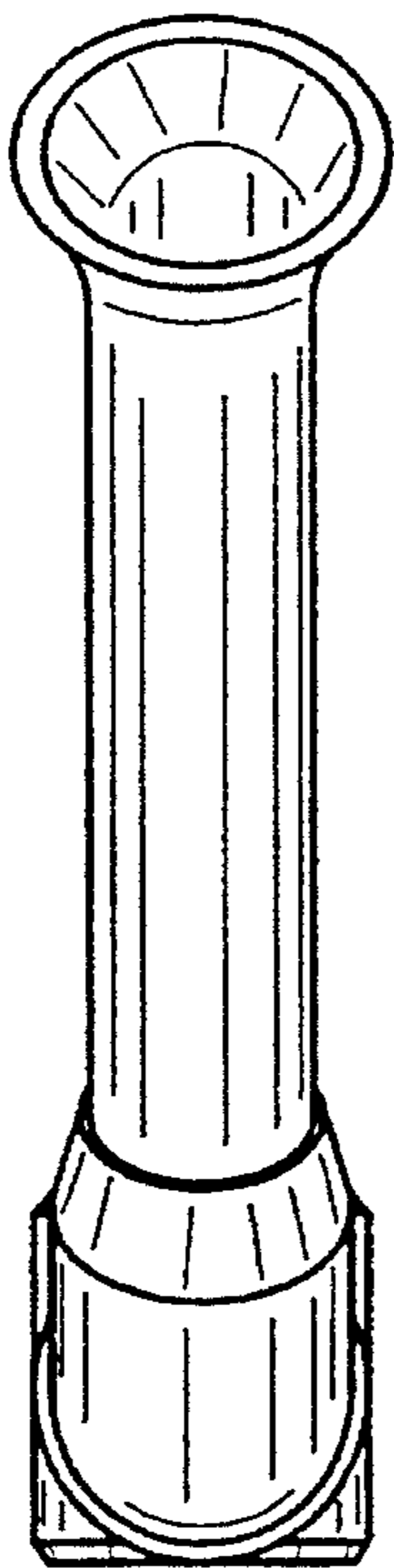


FIG. 7

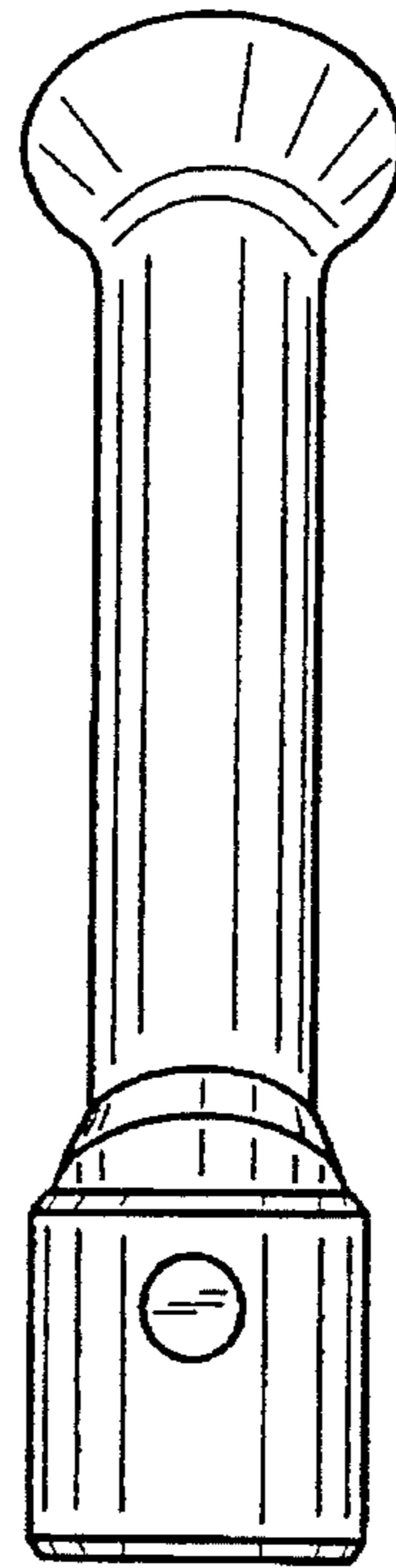


FIG. 8