



US00D371591S

United States Patent [19]

Lenkarski et al.

[11] Patent Number: **Des. 371,591**

[45] Date of Patent: ****Jul. 9, 1996**

- [54] **TWO-PIECE TRIGGER**
- [75] Inventors: **Lee M. Lenkarski, Ware; Pardip K. Vaid**, Northampton, both of Mass.
- [73] Assignee: **Smith & Wesson Corp.**, Springfield, Mass.
- [**] Term: **14 Years**
- [21] Appl. No.: **19,216**
- [22] Filed: **Feb. 25, 1994**
- [52] U.S. Cl. **D22/108**; D22/100; D22/199
- [58] **Field of Search** D22/100, 101, D22/103, 104, 105, 108; 42/2, 7, 50, 69.01, 69.02, 69.03, 70.6, 70.7, 70.11, 71.02, 98, 100, 101; 89/1.53, 1.54, 33.4, 194, 195, 196

4,005,540	2/1977	Robinson	42/69.02	X
5,149,898	9/1992	Chesnut et al.	42/69.01	
5,187,312	2/1993	Osborne	42/69.01	
5,386,659	2/1995	Vaid et al.	42/69.02	

Primary Examiner—Louis S. Zarfaz
Assistant Examiner—Monica A. Hannon
Attorney, Agent, or Firm—Chapin, Neal & Dempsey

[57] CLAIM

The ornamental design for a two-piece trigger, as shown and described.

DESCRIPTION

FIG. 1 is a right side perspective view of the present invention;
 FIG. 2 is a top plan view of the present invention;
 FIG. 3 is a rear elevational view of the present invention;
 FIG. 4 is a left side elevational view of the present invention;
 FIG. 5 is a front elevational view of the present invention;
 FIG. 6 is a right side elevational view of the present invention, and,
 FIG. 7 is a bottom view of the present invention.

- [56] **References Cited**
- U.S. PATENT DOCUMENTS
- 2,556,025 6/1951 Canjar 42/69.02
- 3,203,128 8/1965 Friend 42/69.03

1 Claim, 1 Drawing Sheet

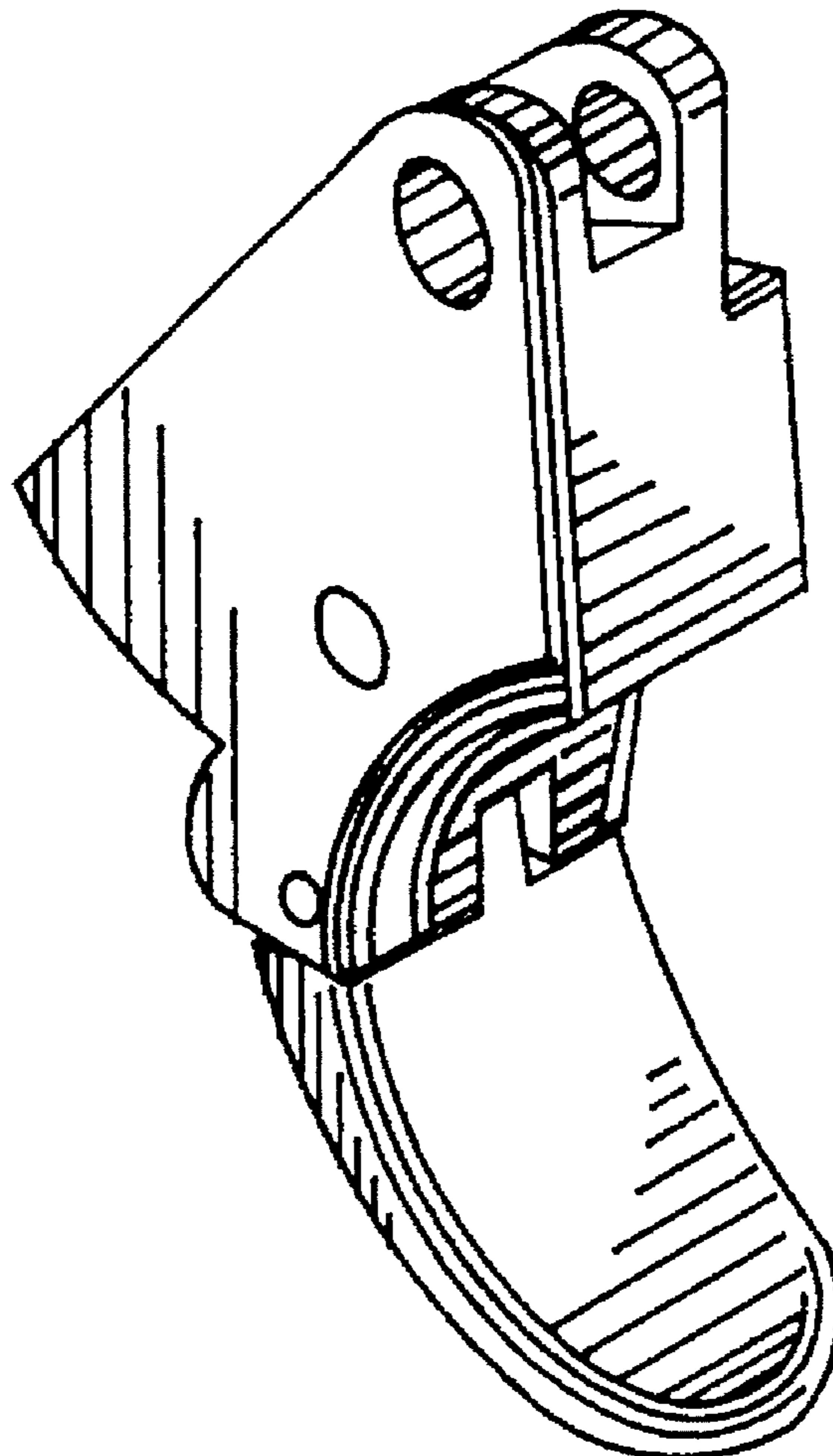


FIG. 1

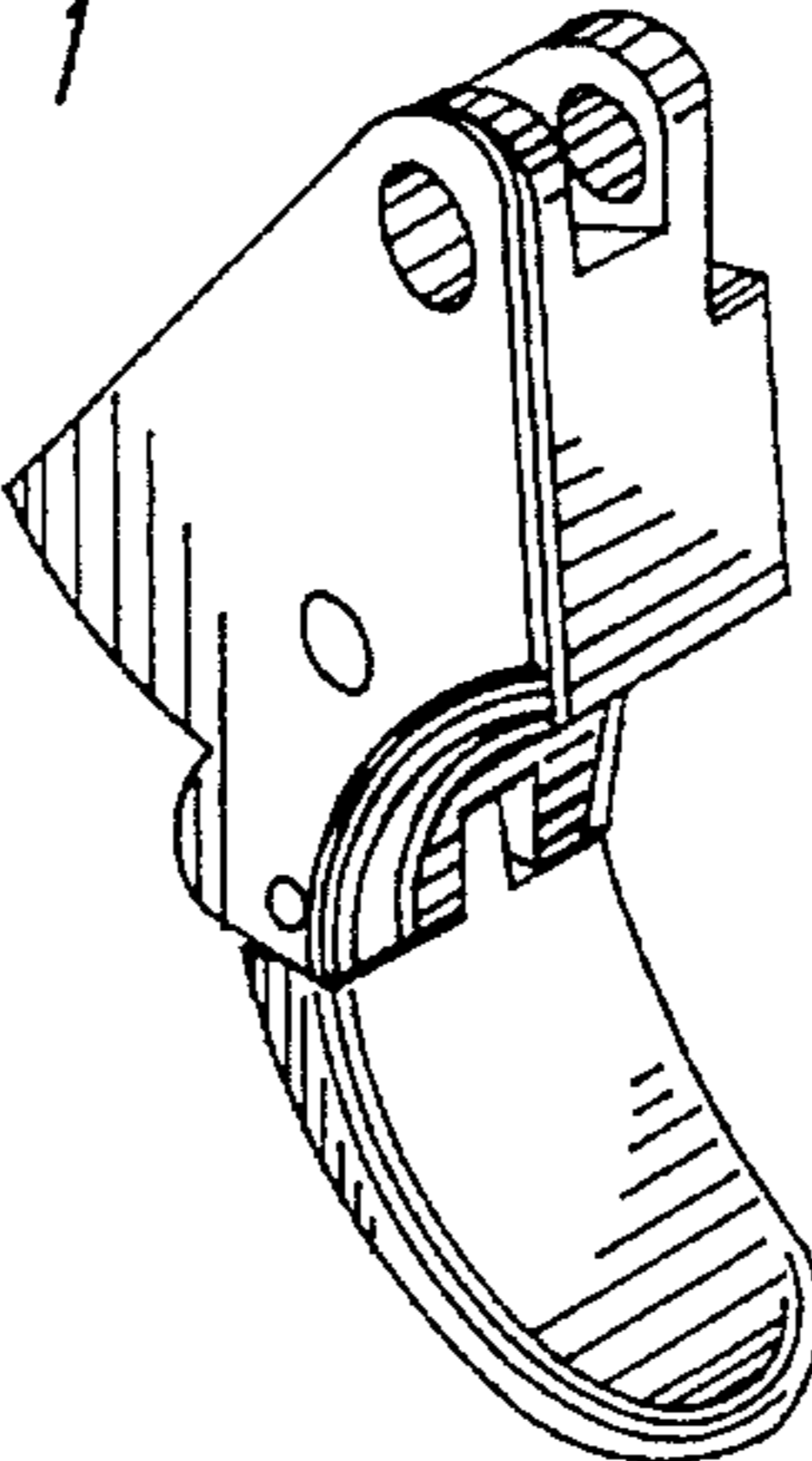


FIG. 2



FIG. 3



FIG. 4

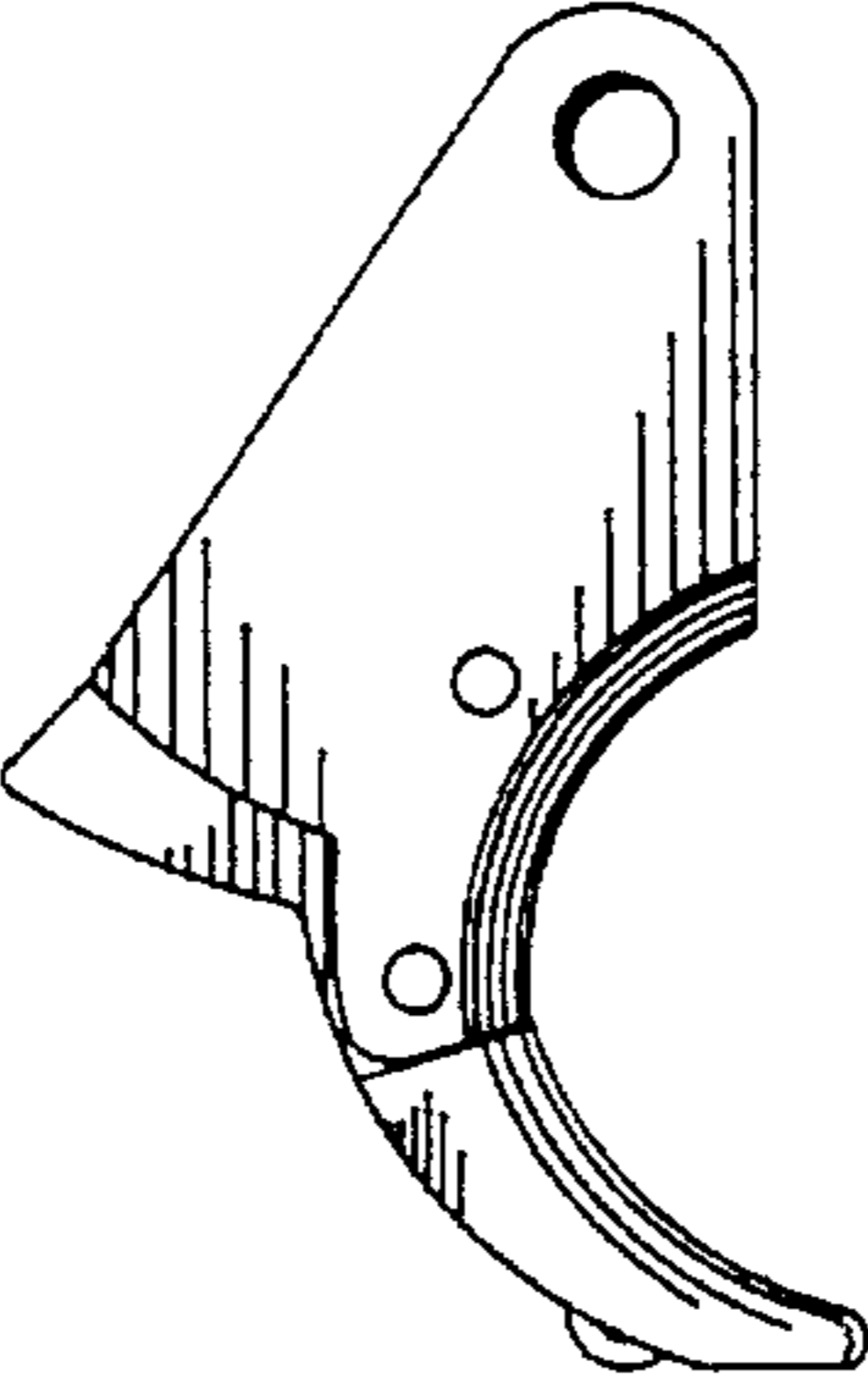


FIG. 5

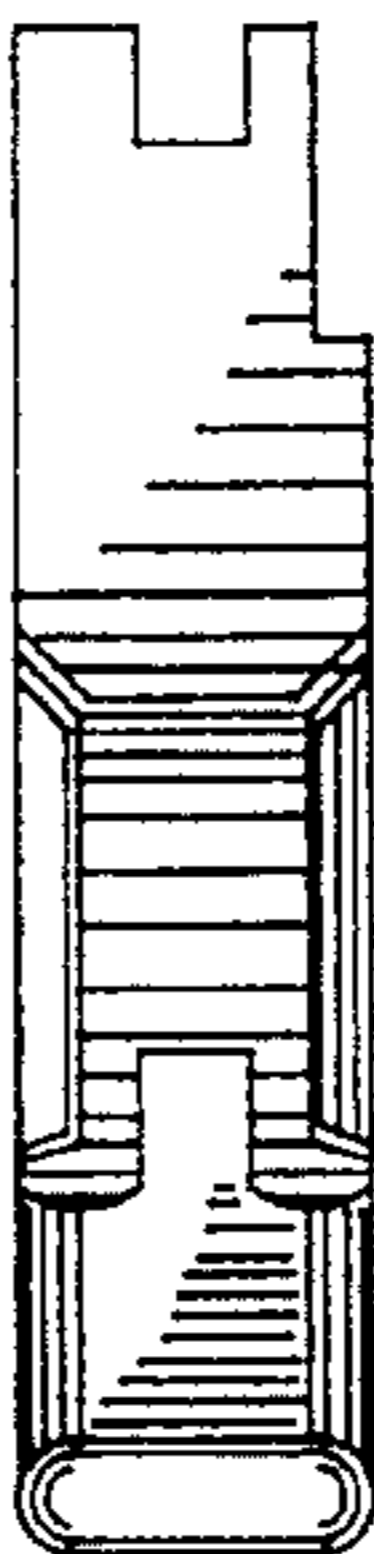


FIG. 6

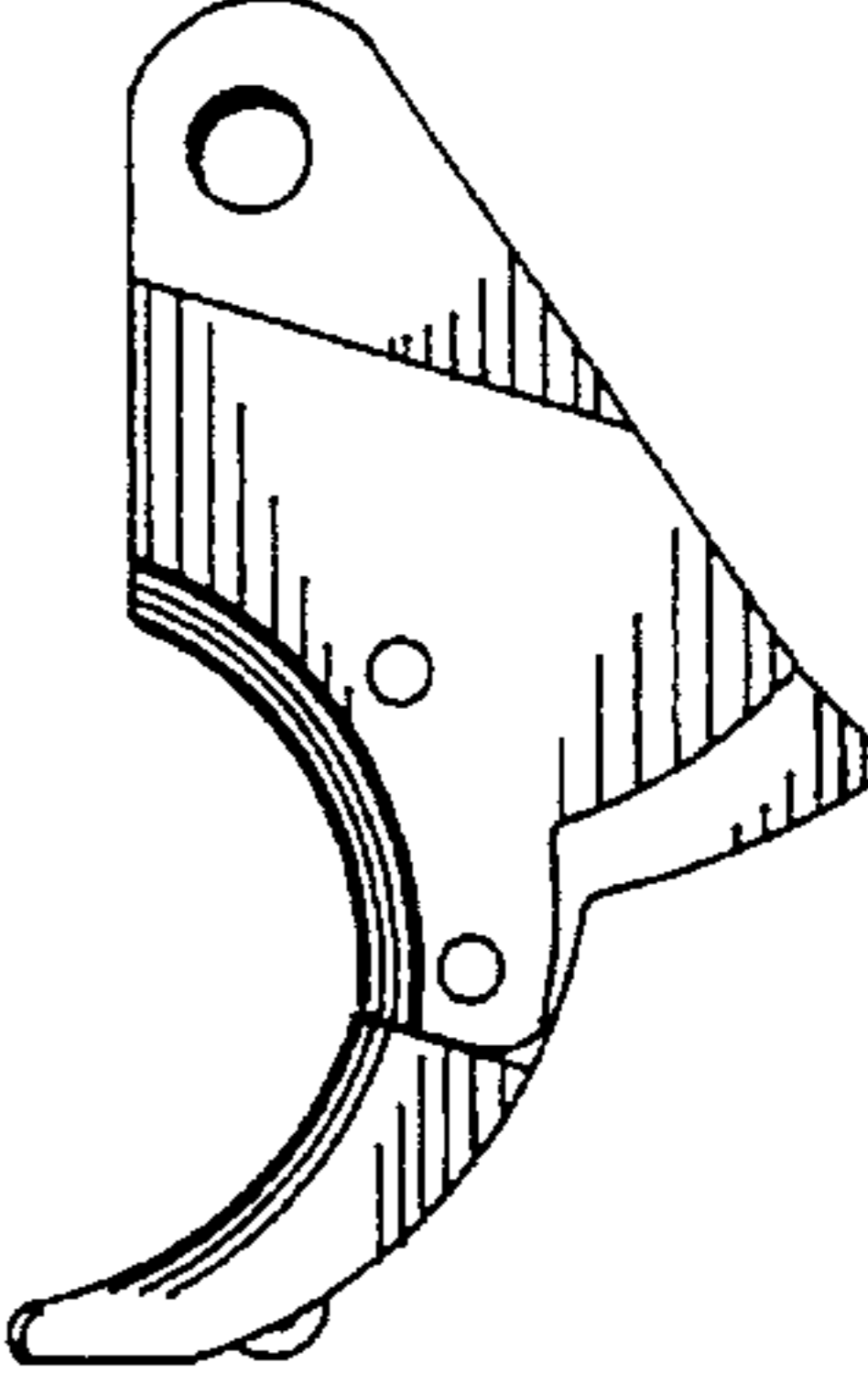


FIG. 7

