



US00D371589S

United States Patent [19]
Fortini

[11] **Patent Number: Des. 371,589**
[45] **Date of Patent: **Jul. 9, 1996**

[54] **COMBINED GOLF CLUB HEAD AND HOLOGRAPHIC INSERT**

Attorney, Agent, or Firm—Middleton & Reutlinger; James C. Eaves, Jr.

[75] Inventor: **Brian E. Fortini**, Prospect, Ky.

[57] **CLAIM**

[73] Assignee: **Hillerich & Bradsby Co.**, Louisville, Ky.

The ornamental design for a combined golf club head and holographic insert, as shown and described.

[**] Term: **14 Years**

DESCRIPTION

[21] Appl. No.: **35,469**

FIG. 1 is a bottom perspective view of a combined golf club head and holographic insert showing my new design; FIG. 2 is a front elevational view thereof; FIG. 3 is a top plan view thereof; FIG. 4 is a bottom plan view thereof; FIG. 5 is an inverted rear elevational view thereof; FIG. 6 is a left side view of FIG. 1; FIG. 7 is a right side view of FIG. 1; FIG. 8 is a top perspective view of FIG. 1; FIG. 9 is a front elevational view of the holographic insert shown for clarity of illustration; FIG. 10 is a rear elevational view of FIG. 9; FIG. 11 is a front edge view of FIG. 9, the undisclosed opposite side being identical; and, FIG. 12 is a side edge view of FIG. 9, the undisclosed opposite side being identical.

[22] Filed: **Feb. 28, 1995**

[52] U.S. Cl. **D21/214; D21/221**

[58] Field of Search **D21/214, 220, D21/221; D20/11, 22, 27; 40/299; 273/167 A, 167 B, 167 C-175**

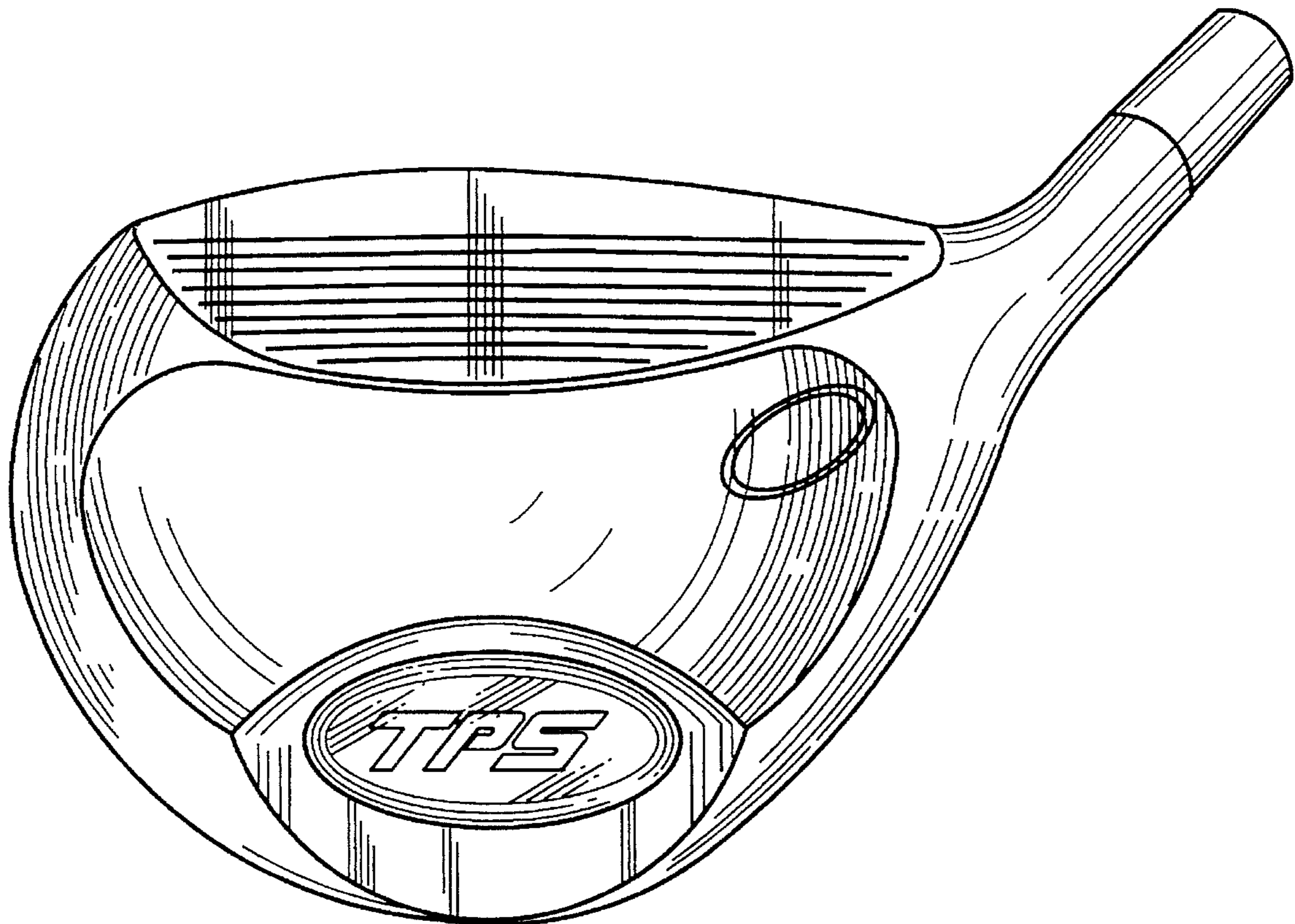
[56] **References Cited**

U.S. PATENT DOCUMENTS

D. 318,087	7/1991	Helmstetter	D21/214
D. 354,786	1/1995	Manning et al.	D21/220
D. 355,688	2/1995	Cleveland	D21/220
D. 363,749	10/1995	Kenmi	D21/214
D. 364,906	12/1995	Schmidt et al.	D21/214

Primary Examiner—Terry A. Wallace
Assistant Examiner—Mitchell I. Siegel

1 Claim, 3 Drawing Sheets



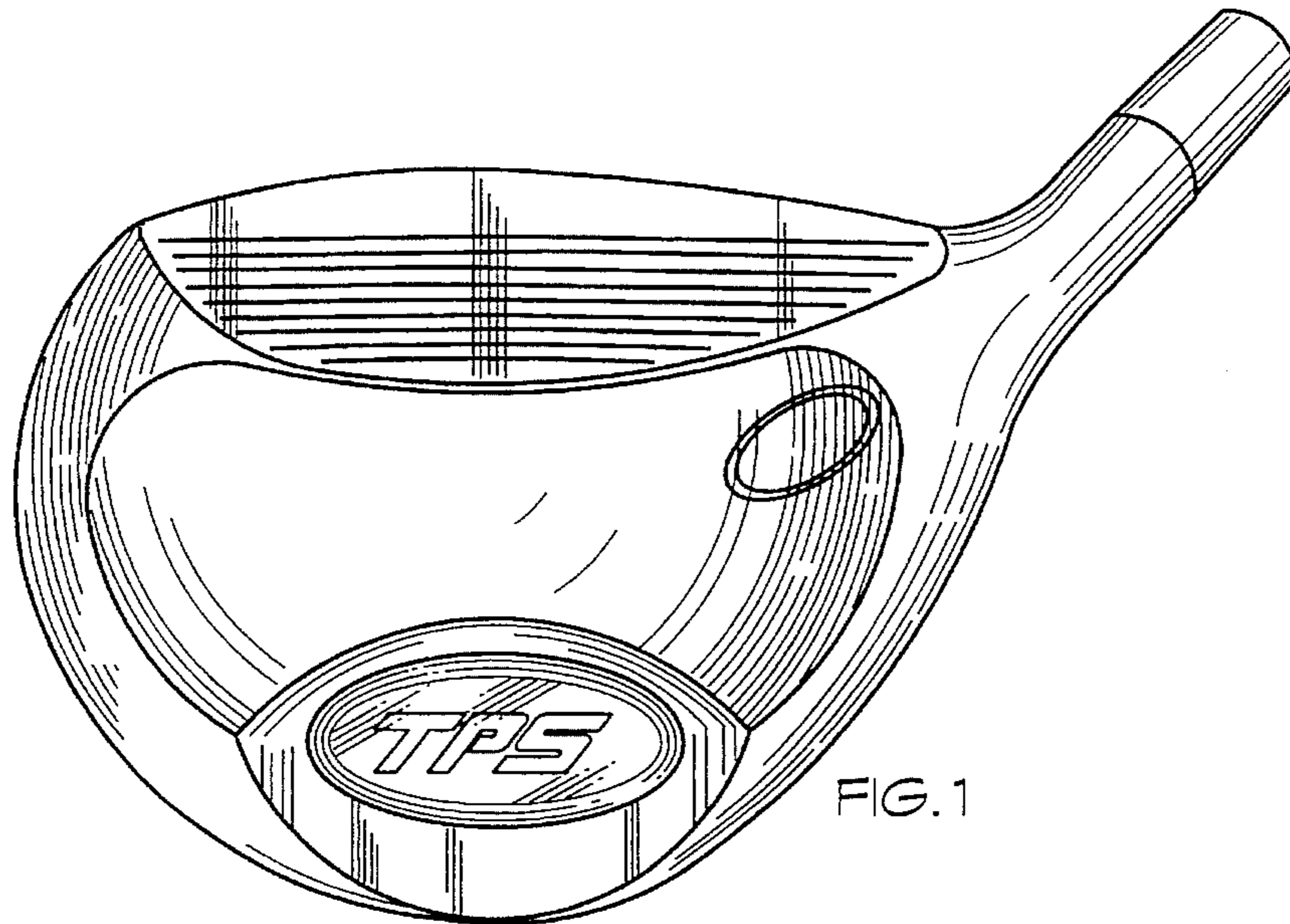


FIG. 1

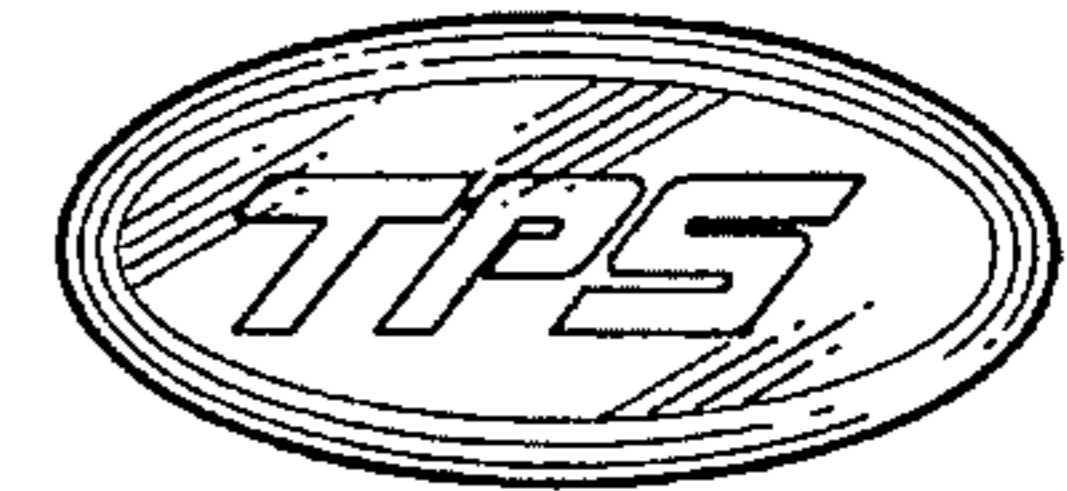


FIG. 9

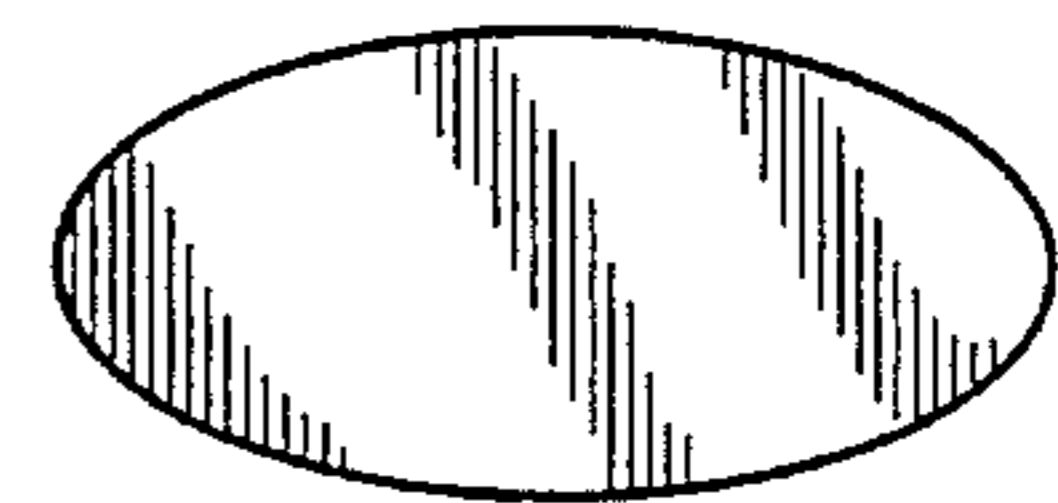


FIG. 10

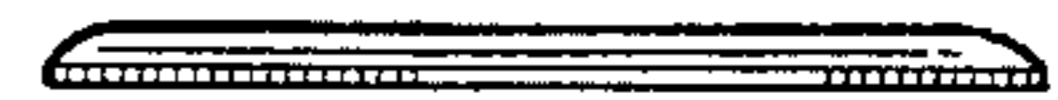


FIG. 11

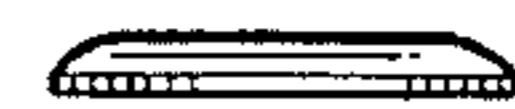


FIG. 12

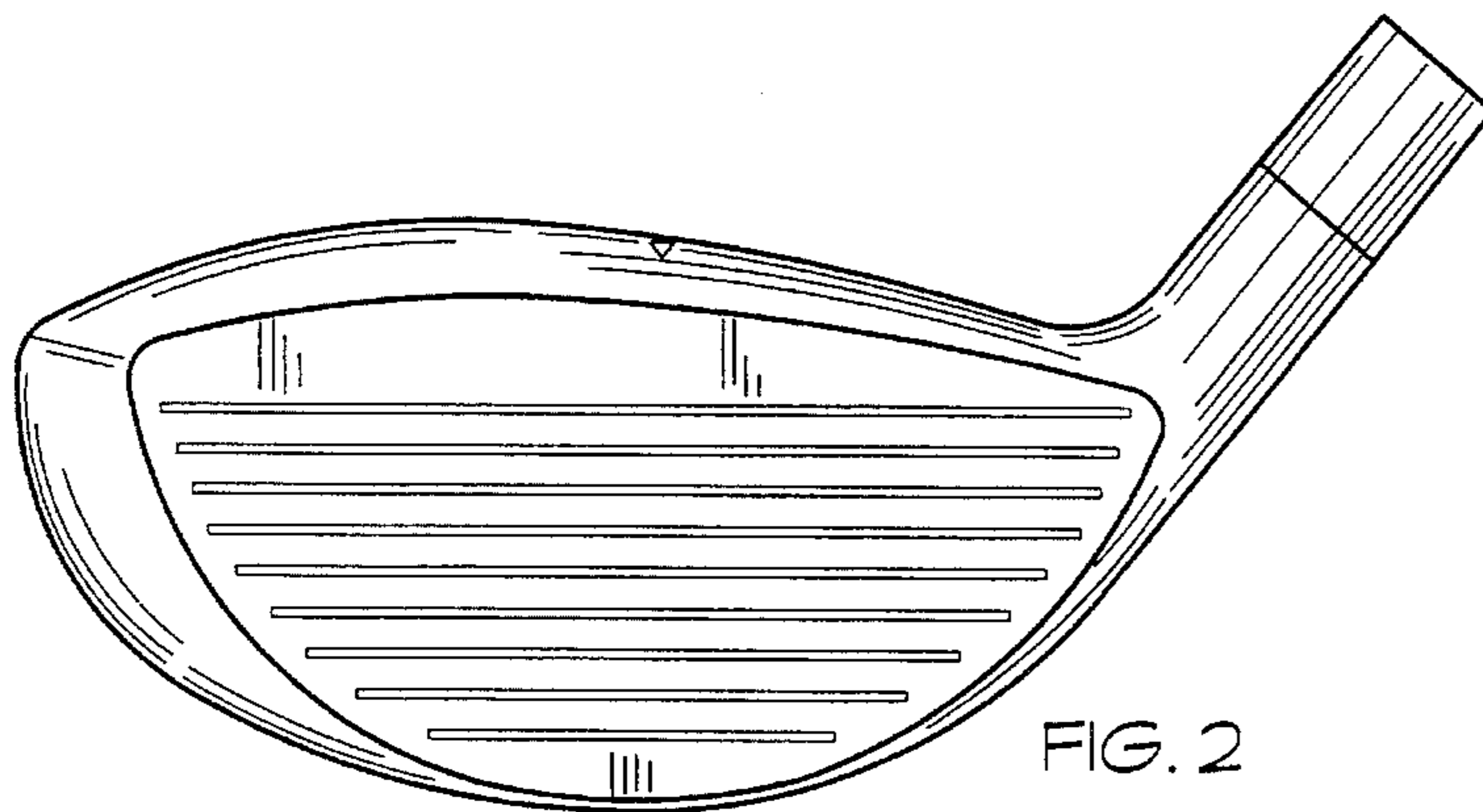


FIG. 2

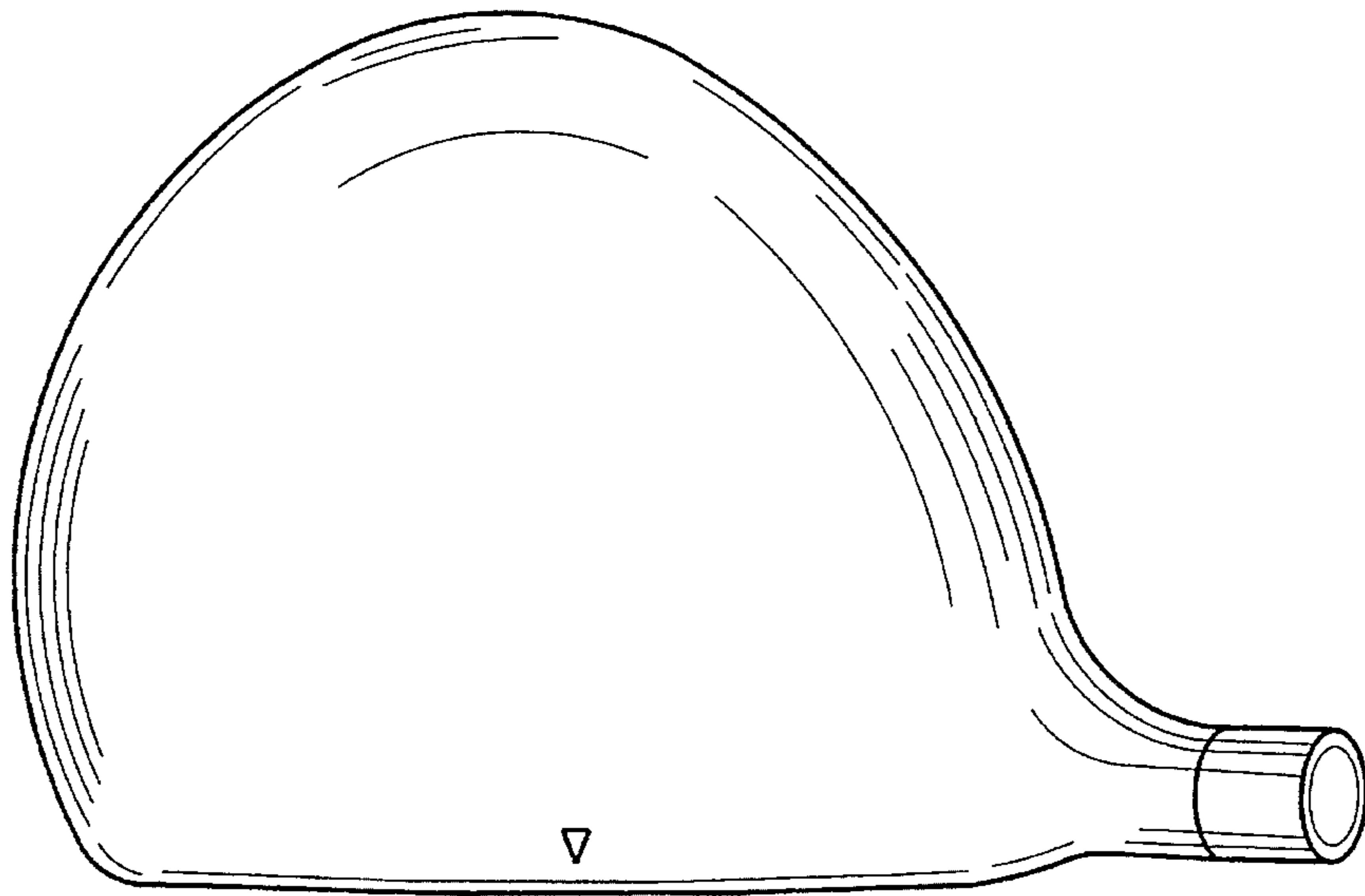


FIG. 3

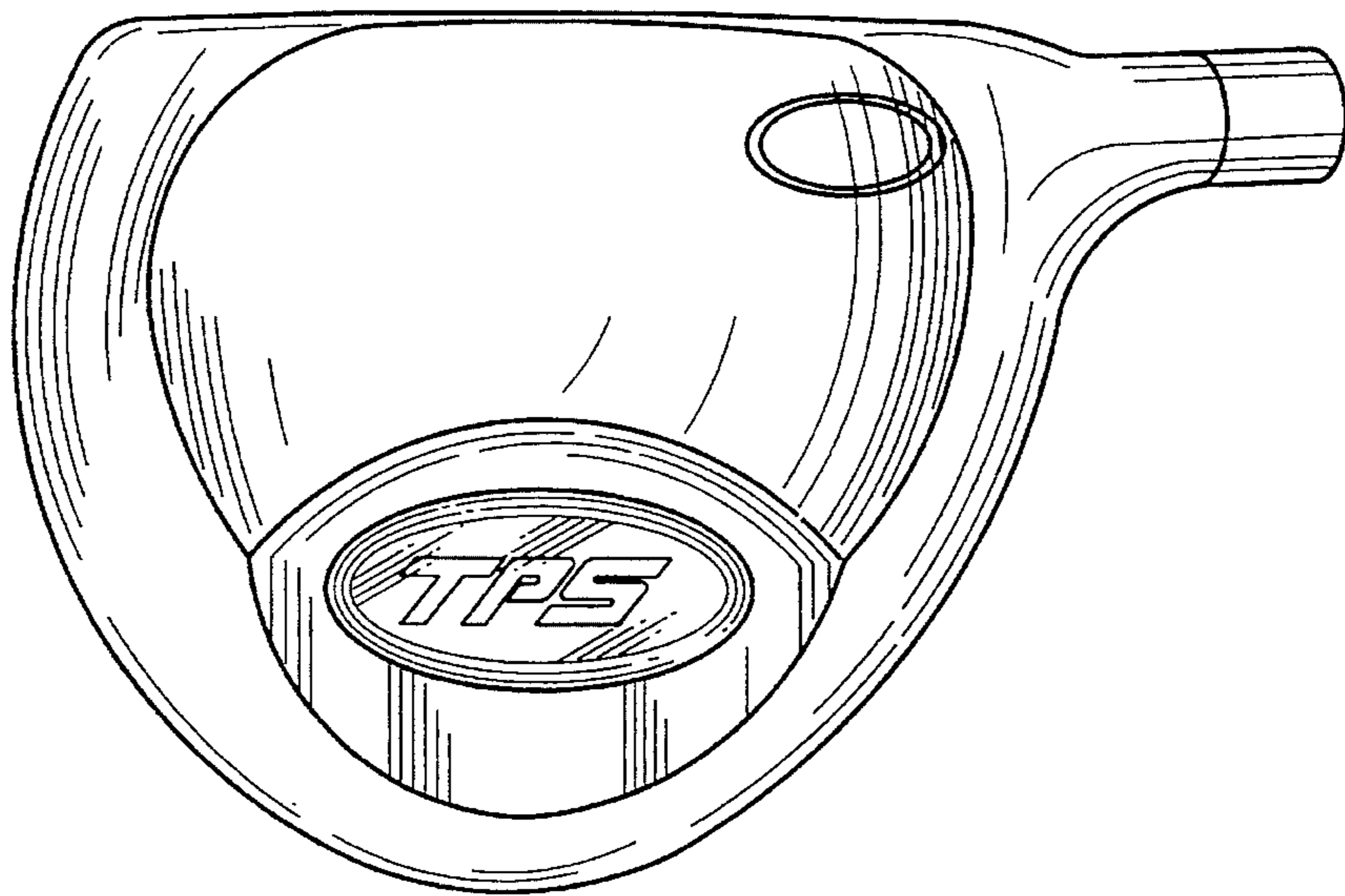


FIG. 4

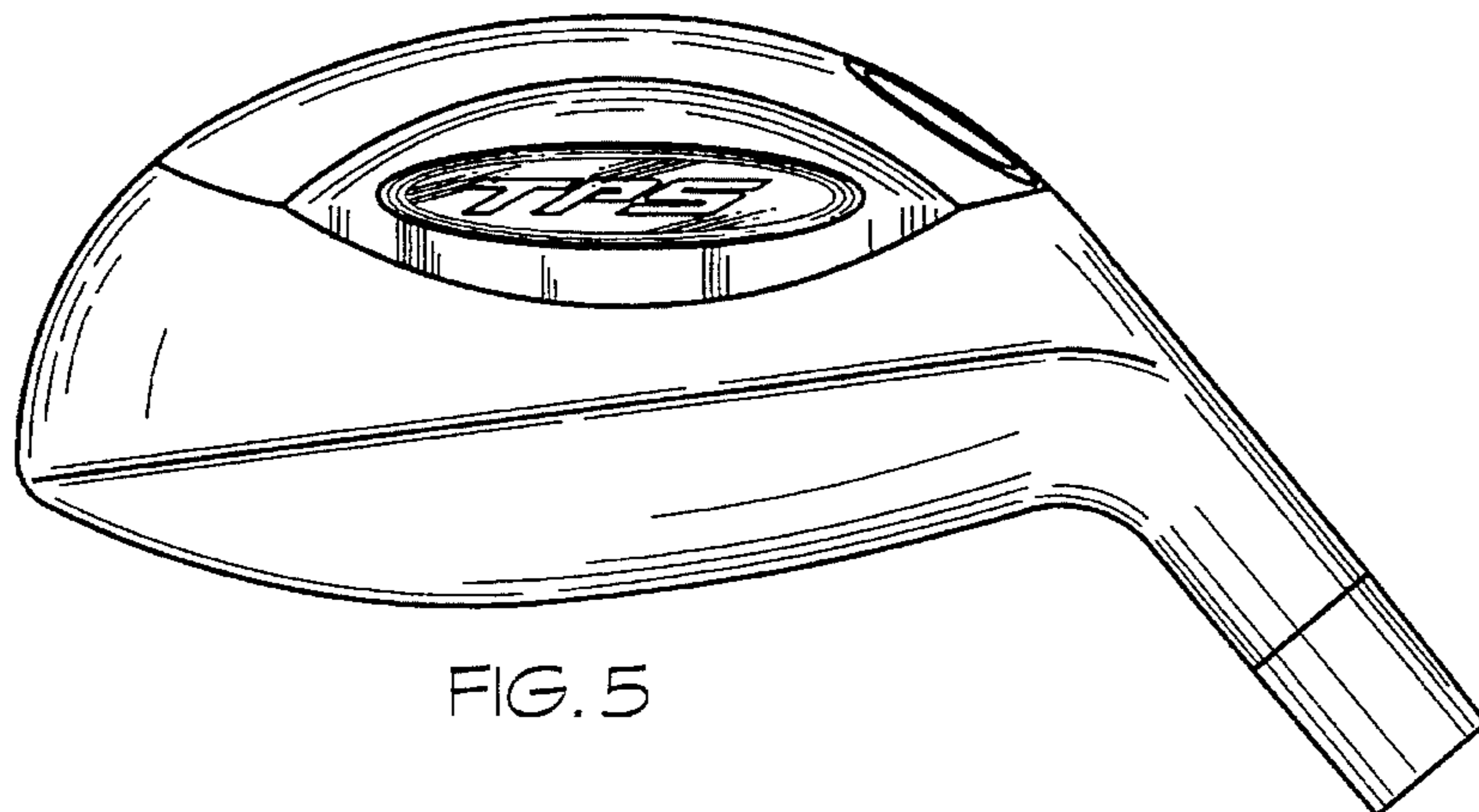


FIG. 5

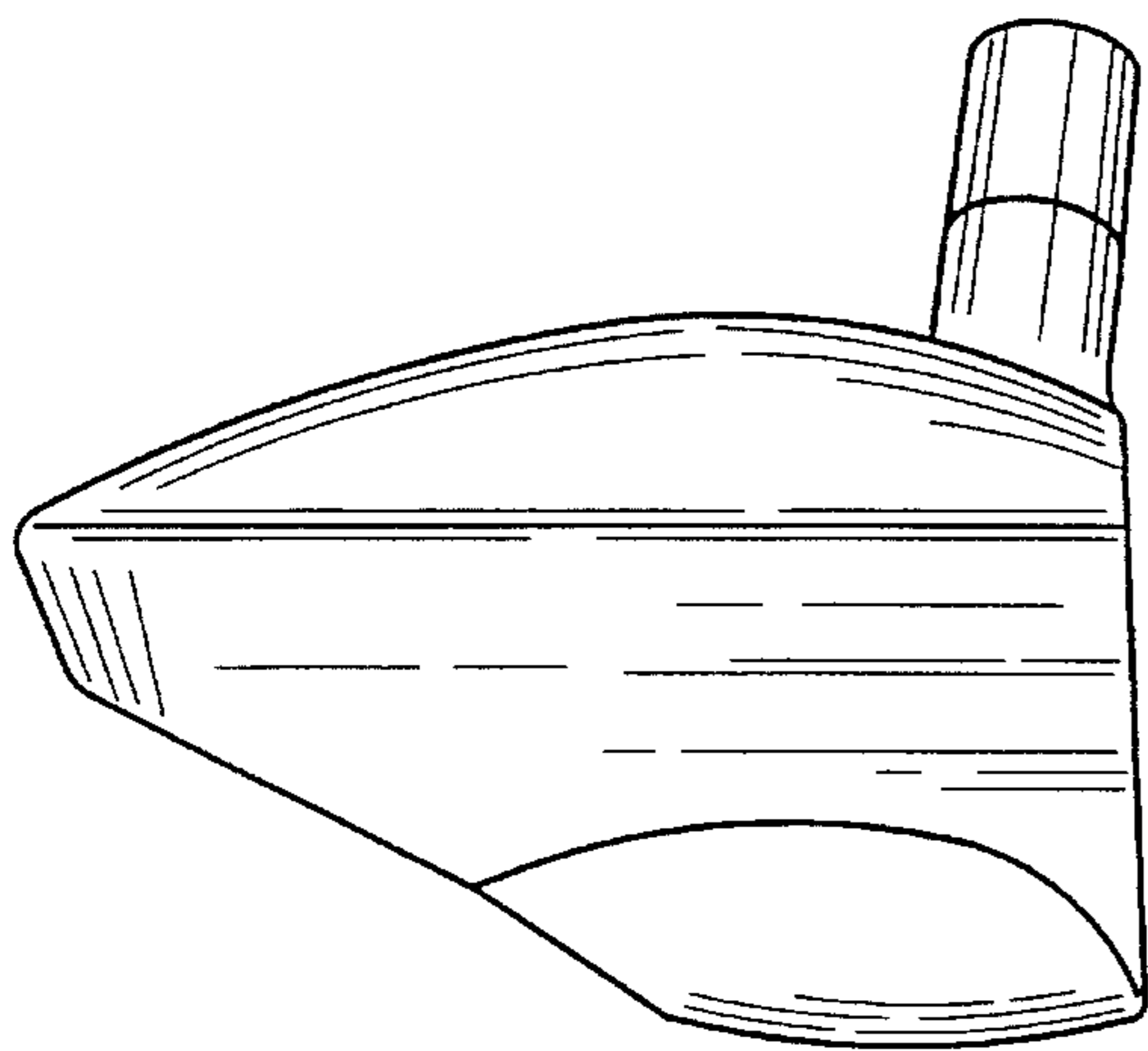


FIG. 6

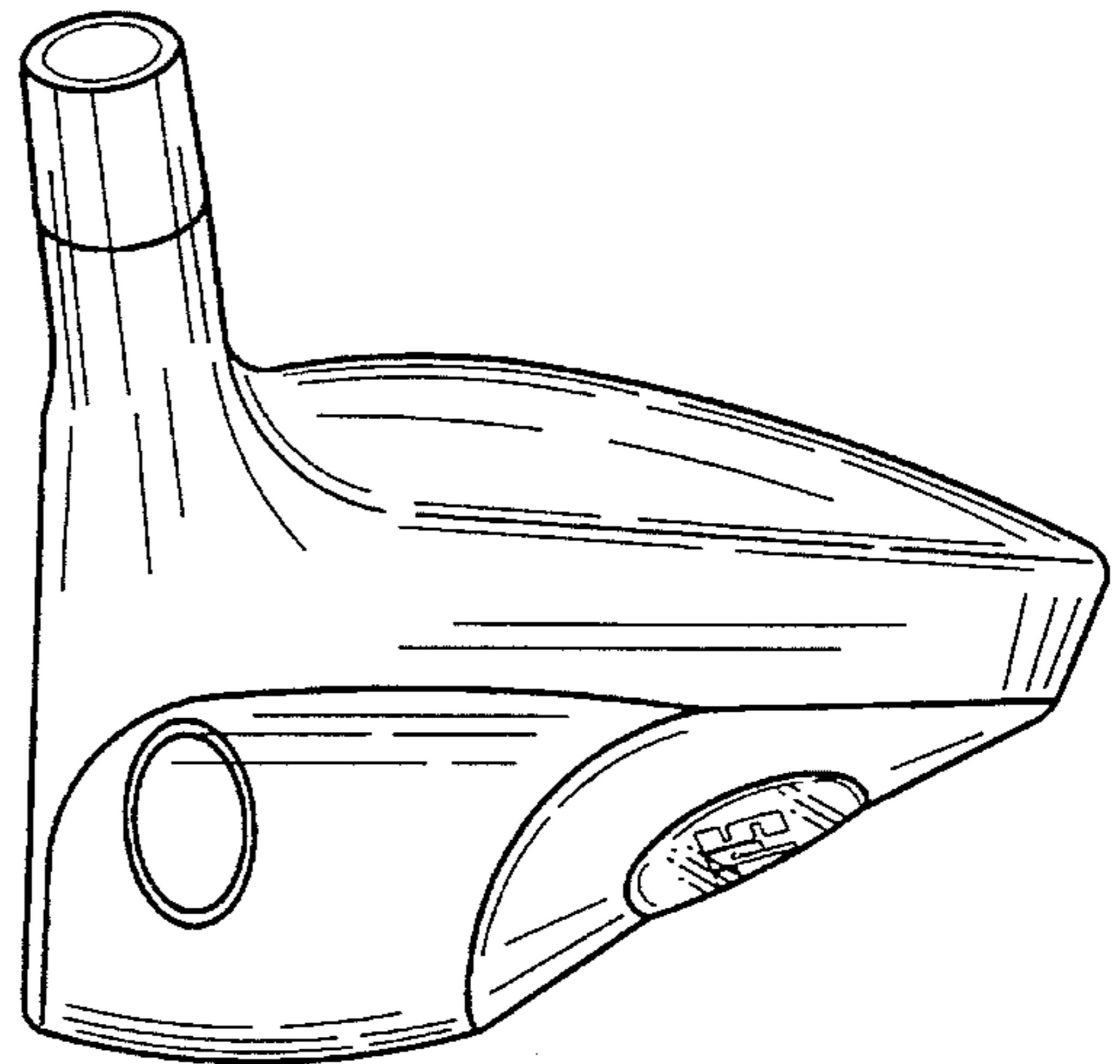


FIG. 7

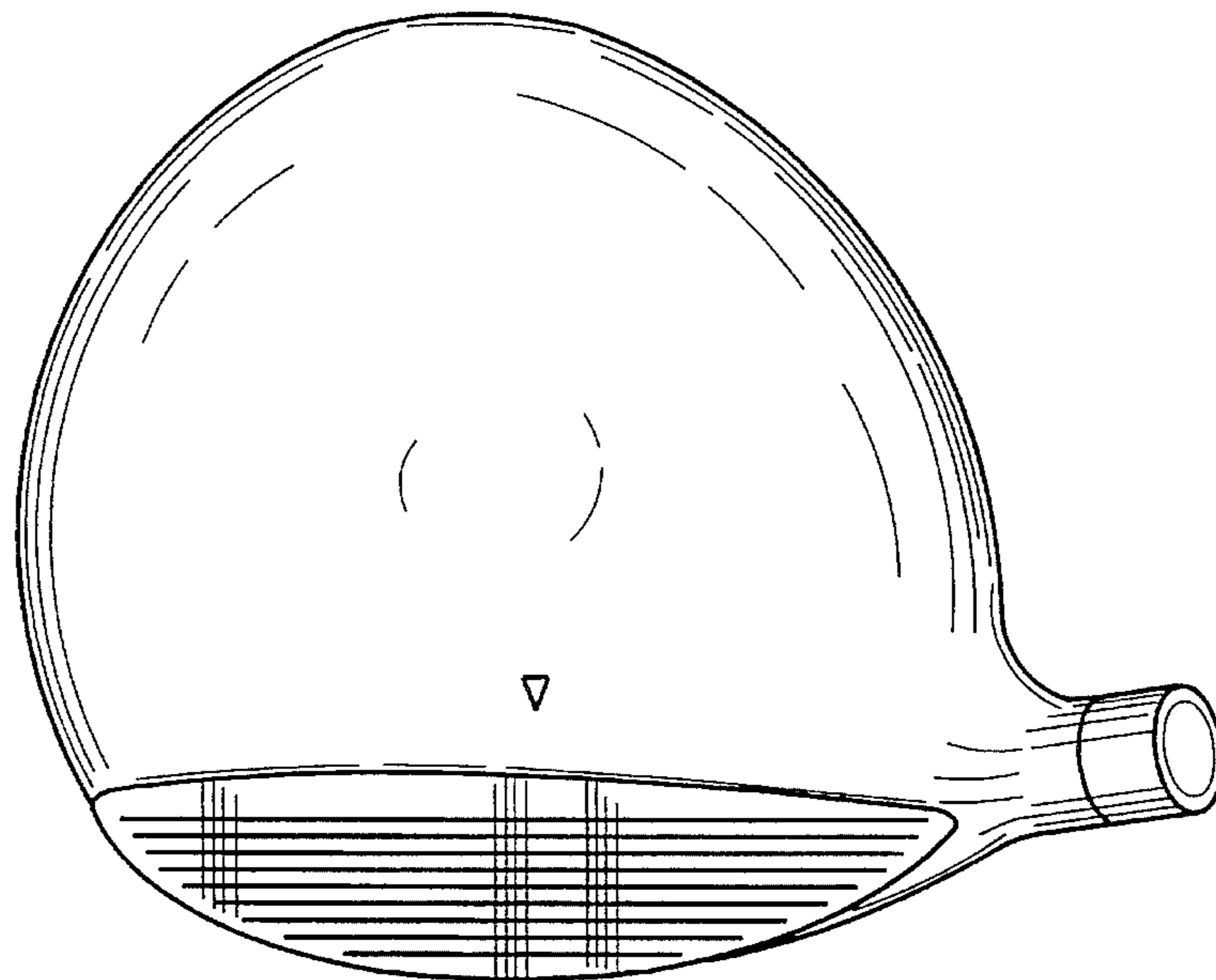


FIG. 8