



US00D371588S

**United States Patent** [19]  
**Myers**

[11] **Patent Number: Des. 371,588**  
[45] **Date of Patent: \*\*Jul. 9, 1996**

[54] **COMBINED HOOP TOY AND BALL**  
[76] Inventor: **Rick Myers**, Rte. 1, Box 57, West Blocton, Ala. 35184  
[\*\*] Term: **14 Years**  
[21] Appl. No.: **39,479**  
[22] Filed: **May 26, 1995**  
[52] U.S. Cl. .... **D21/210; D21/101**  
[58] Field of Search ..... **D21/101, 210, D21/240; 446/150**

*Primary Examiner*—Ted Shooman  
*Assistant Examiner*—Mitchell I. Siegel  
*Attorney, Agent, or Firm*—Harold H. Dutton, Jr.; W. Charles L. Jamison; Diane F. Liebman

[57] **CLAIM**

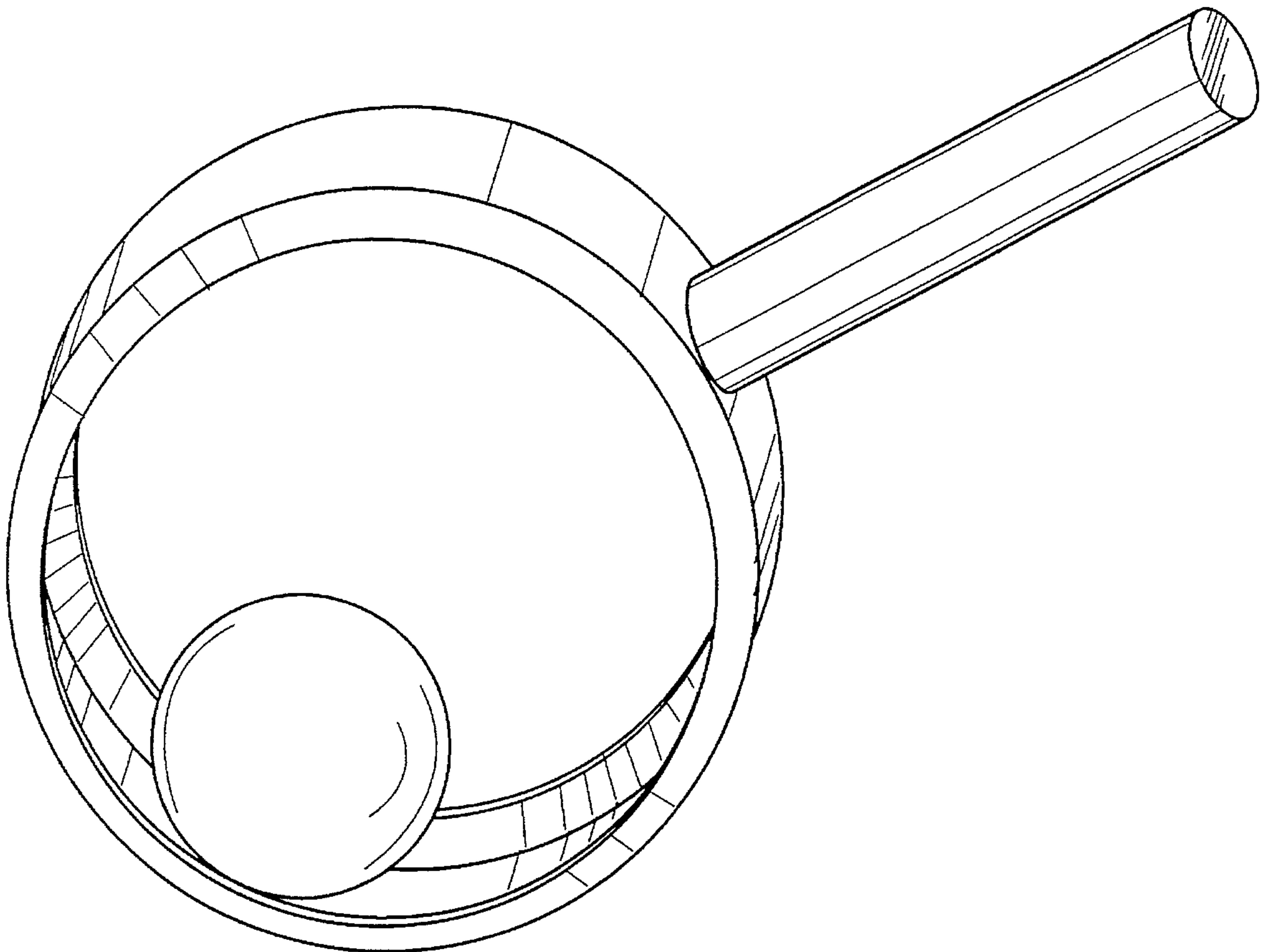
The ornamental design for a combined hoop toy and ball, as shown and described.

**DESCRIPTION**

FIG. 1 is a perspective view of a combined hoop toy and ball showing my new design;  
FIG. 2 is a top view thereof;  
FIG. 3 is a bottom view thereof; and,  
FIG. 4 is a side view thereof, the undisclosed opposite side being identical.

[56] **References Cited**  
**U.S. PATENT DOCUMENTS**  
2,485,064 10/1949 Paclayan ..... D21/101  
5,199,708 4/1993 Lucas ..... 446/450 X

**1 Claim, 2 Drawing Sheets**



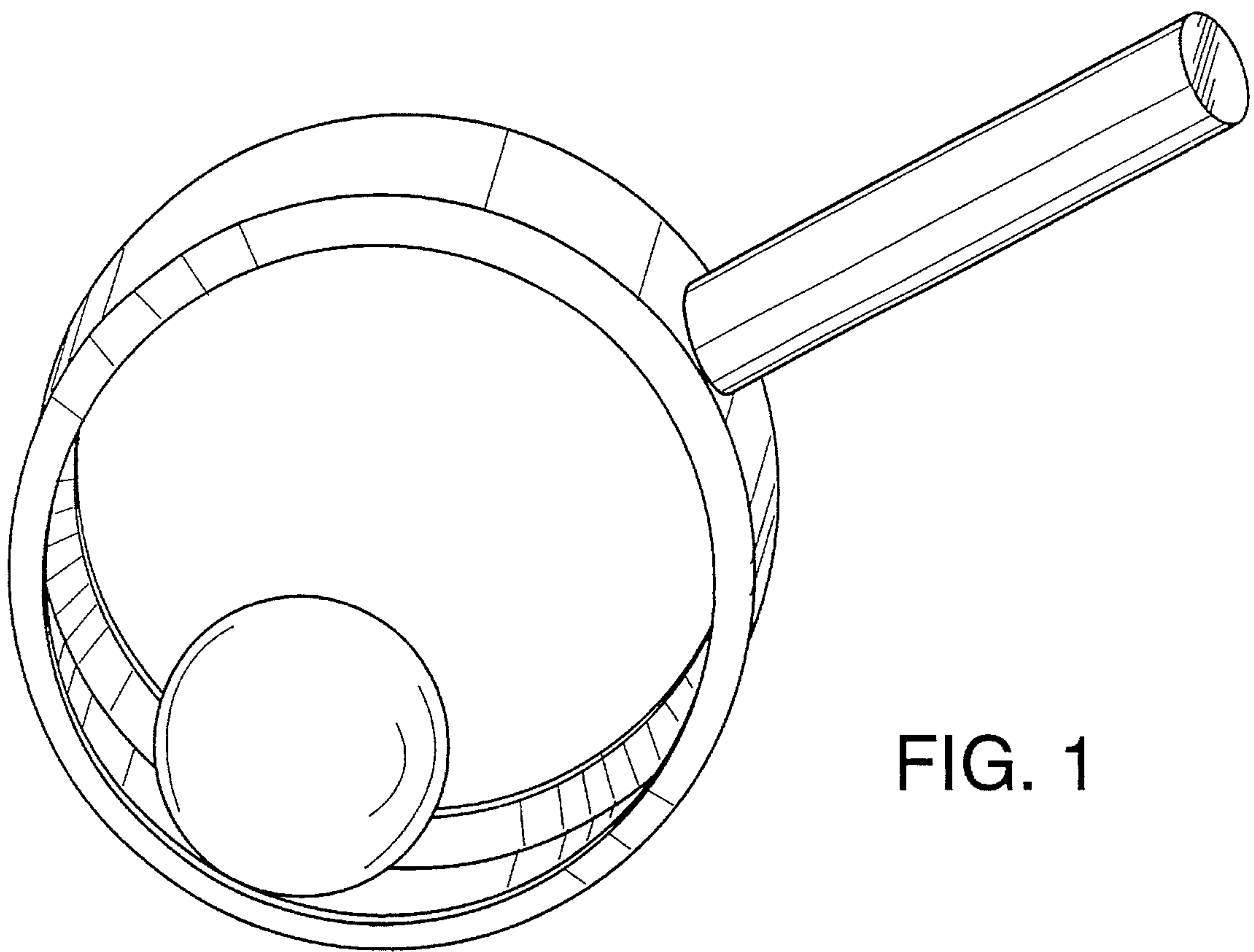


FIG. 1

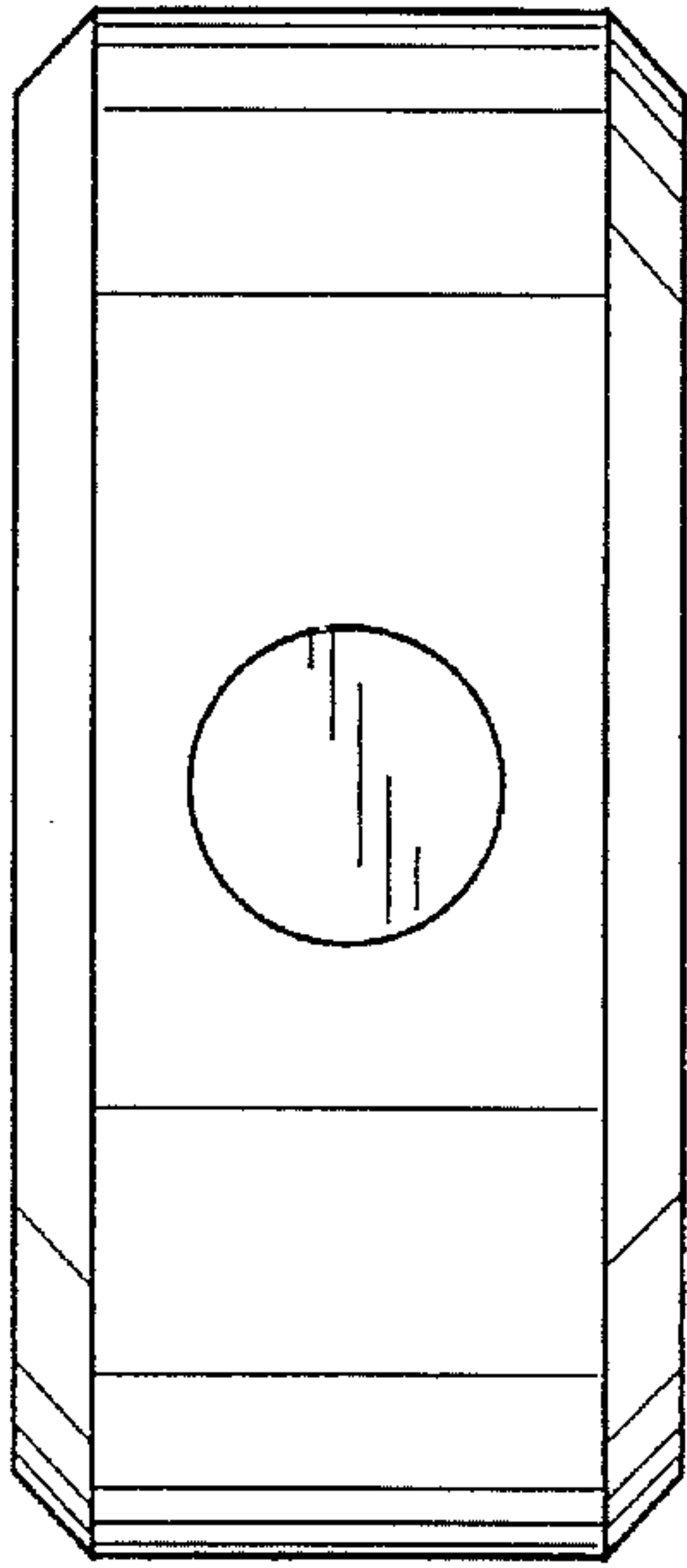


FIG. 2

FIG. 3

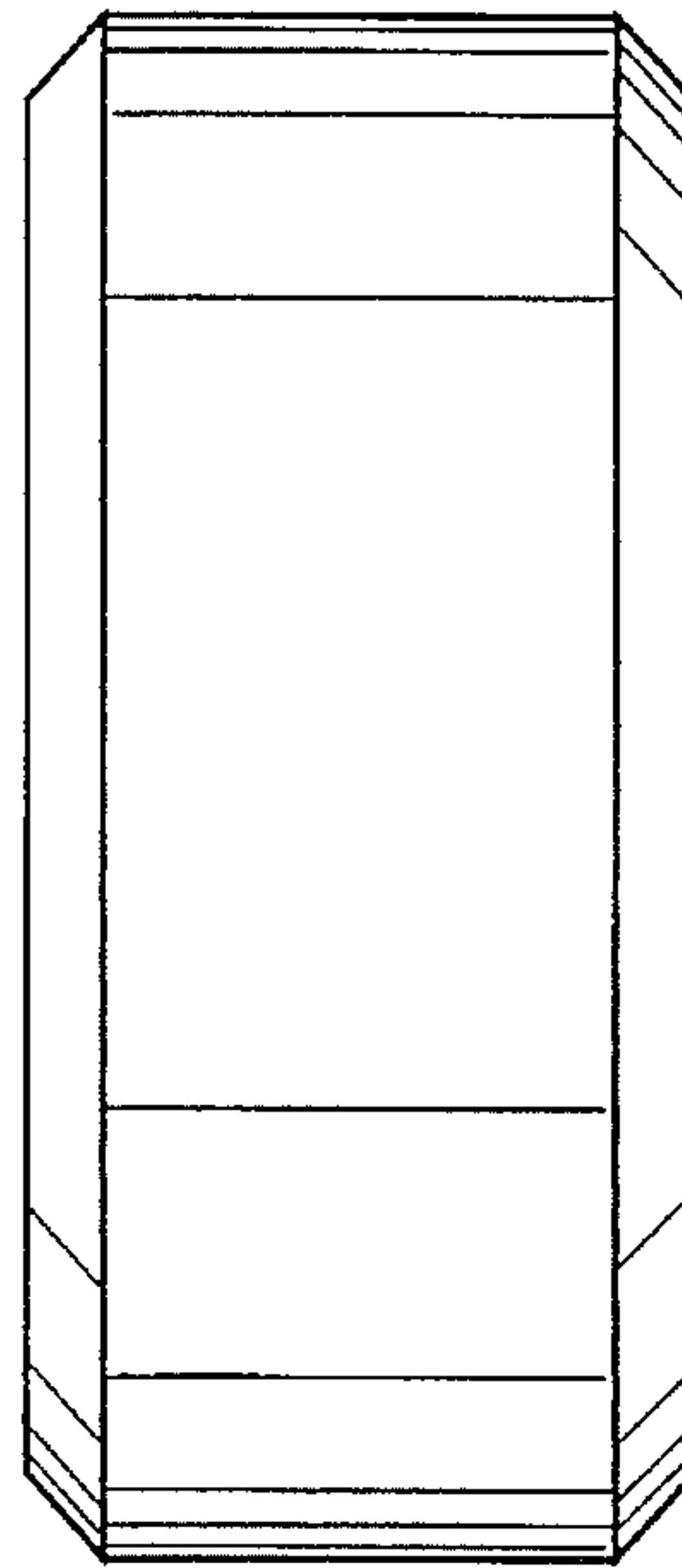


FIG. 4

