



US00D371587S

# United States Patent [19]

[11] Patent Number: **Des. 371,587**

Braun

[45] Date of Patent: **\*\*Jul. 9, 1996**

[54] **GOAL FOR FOOTBALL PRACTICE**

4,718,668	1/1988	Schipske	.....	273/26 A X
4,836,542	6/1989	Crawley	.....	273/181. F X
5,037,095	8/1991	Nedwick	.....	273/55 R
5,351,948	10/1994	Thomas	.....	273/26 A

[76] Inventor: **David L. Braun**, 26 Heritage Dr., Negaunee, Mich. 49866

[\*\*] Term: **14 Years**

*Primary Examiner*—Ted Shooman  
*Assistant Examiner*—Cheri Cohen  
*Attorney, Agent, or Firm*—Harpman & Harpman

[21] Appl. No.: **36,384**

[57] **CLAIM**

[22] Filed: **Mar. 20, 1995**

[52] **U.S. Cl.** ..... **D21/200**

The ornamental design for a goal for football practice, as shown and described.

[58] **Field of Search** ..... D21/200; 273/26 A, 273/26 R, 55 R, 396, 411, 181 F, 181 R, 182 R, 182 A, 127 R, 127 C, 127 D, 400, 407

**DESCRIPTION**

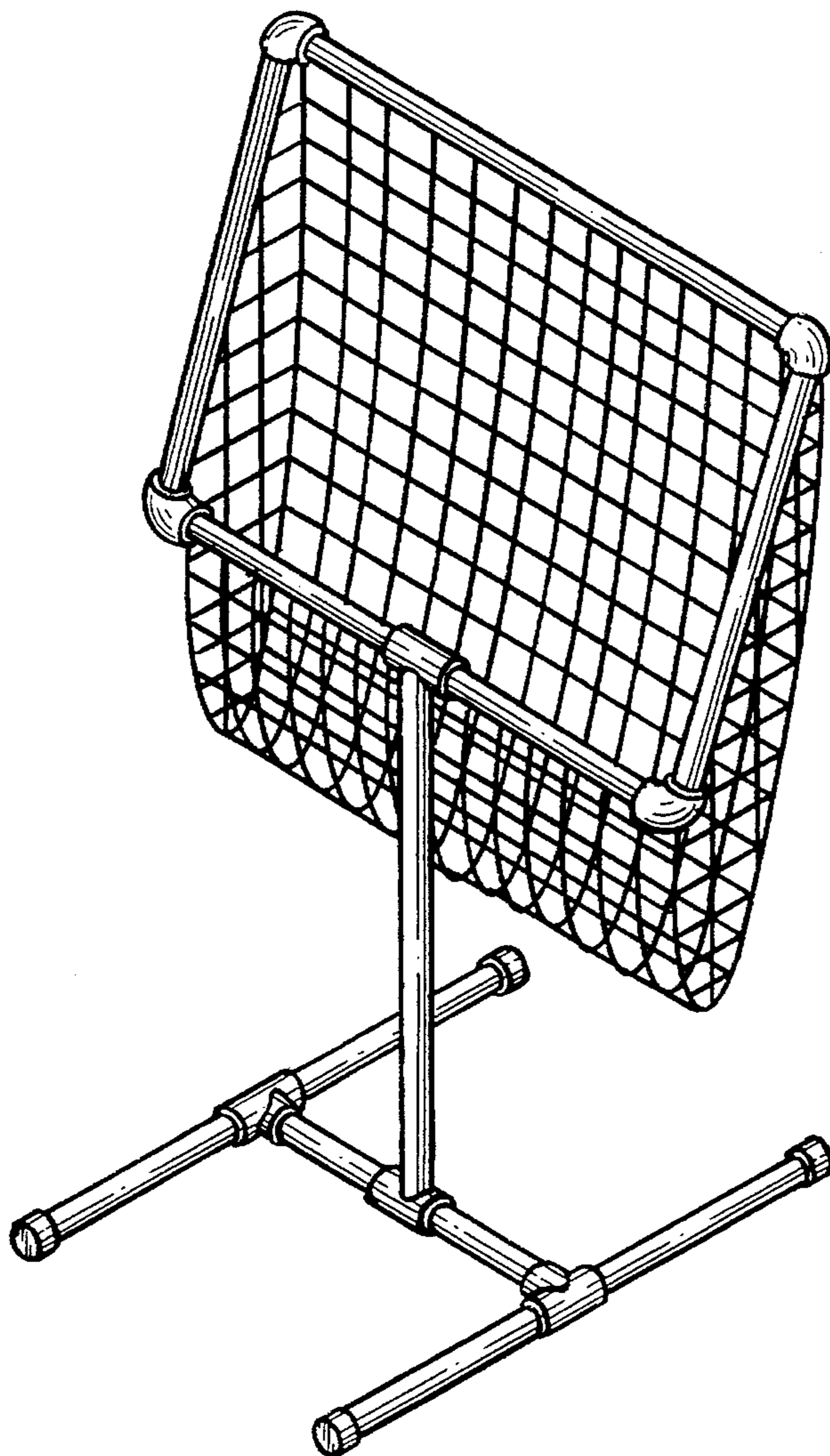
[56] **References Cited**

FIG. 1 is a perspective view of a goal for football practice showing my new design;  
FIG. 2 is a front elevational view thereof;  
FIG. 3 is a rear elevational view thereof;  
FIG. 4 is a side elevational view thereof, the side opposite being a mirror image of the side shown in FIG. 4;  
FIG. 5 is a top plan view thereof; and,  
FIG. 6 is a bottom plan view thereof.

**U.S. PATENT DOCUMENTS**

D. 237,808	11/1975	Ekstrand	.....	D21/200
D. 317,033	5/1991	Rains	.....	D21/200
D. 321,736	11/1991	Franklin et al.	.....	D21/200
D. 333,856	3/1993	Cantey	.....	D21/200
D. 359,538	6/1995	Hague	.....	D21/200
4,068,846	1/1978	Forrest	.....	273/181. F X

**1 Claim, 4 Drawing Sheets**



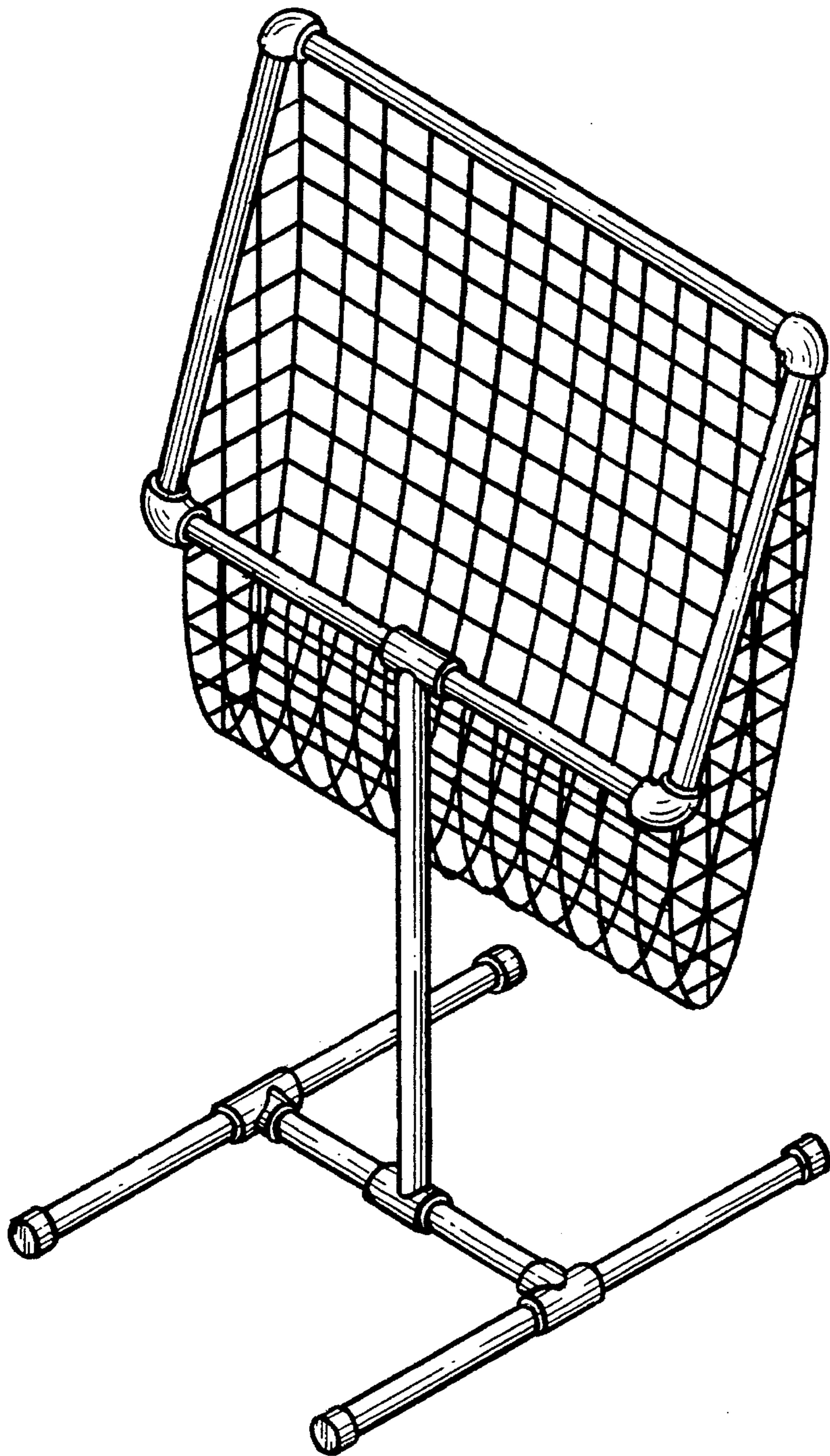


FIG. 1.

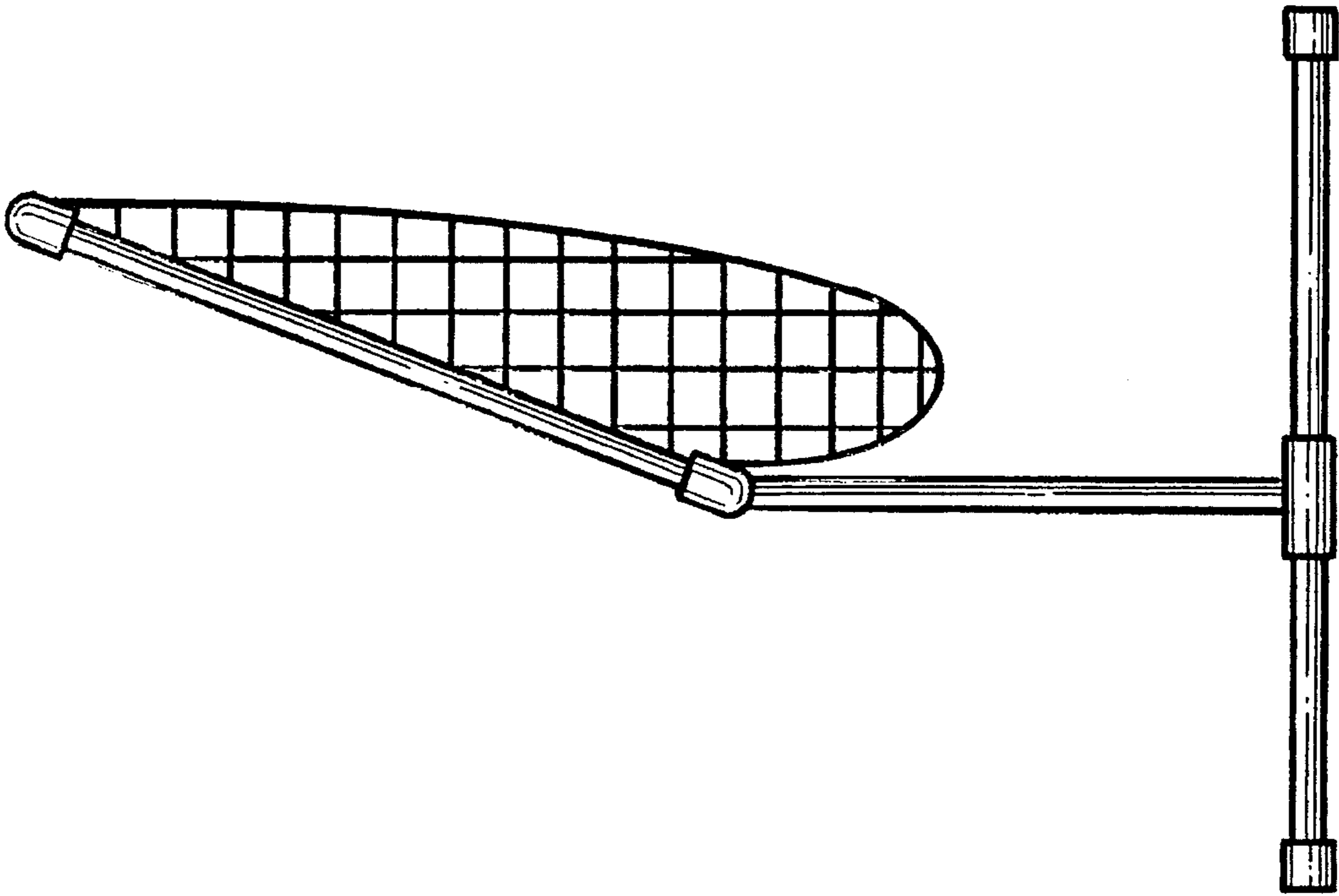


FIG. 4.

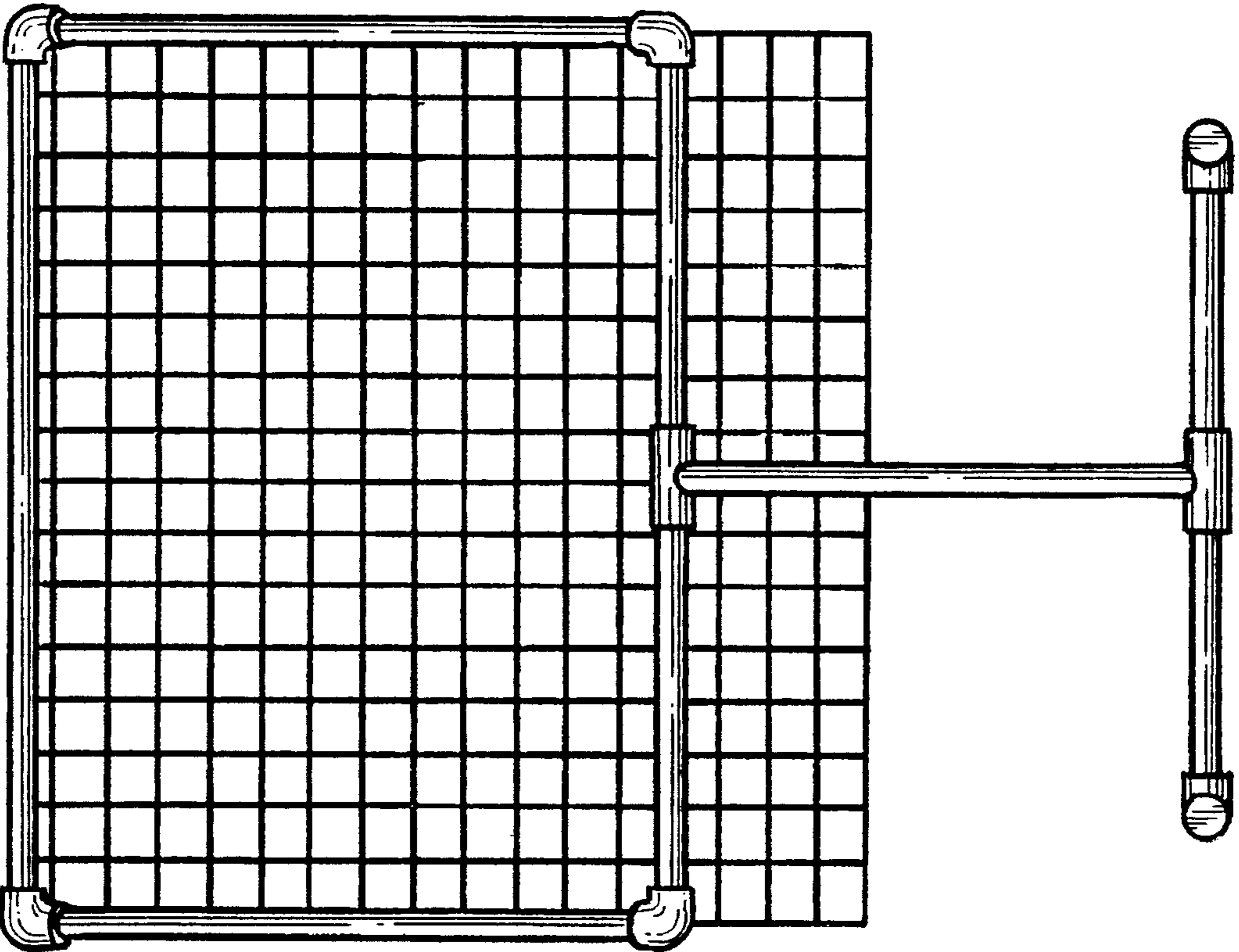


FIG. 2.



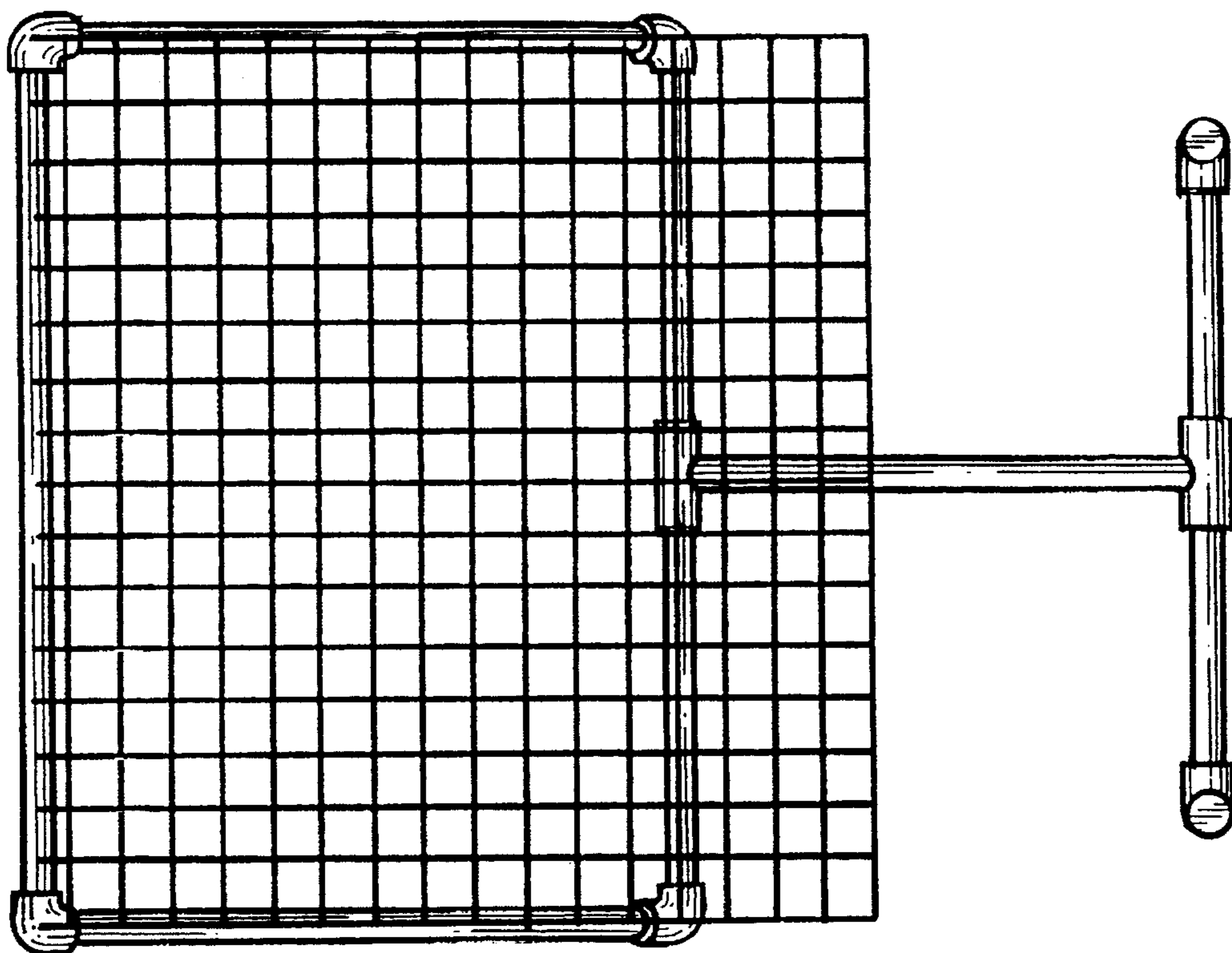


FIG. 3.

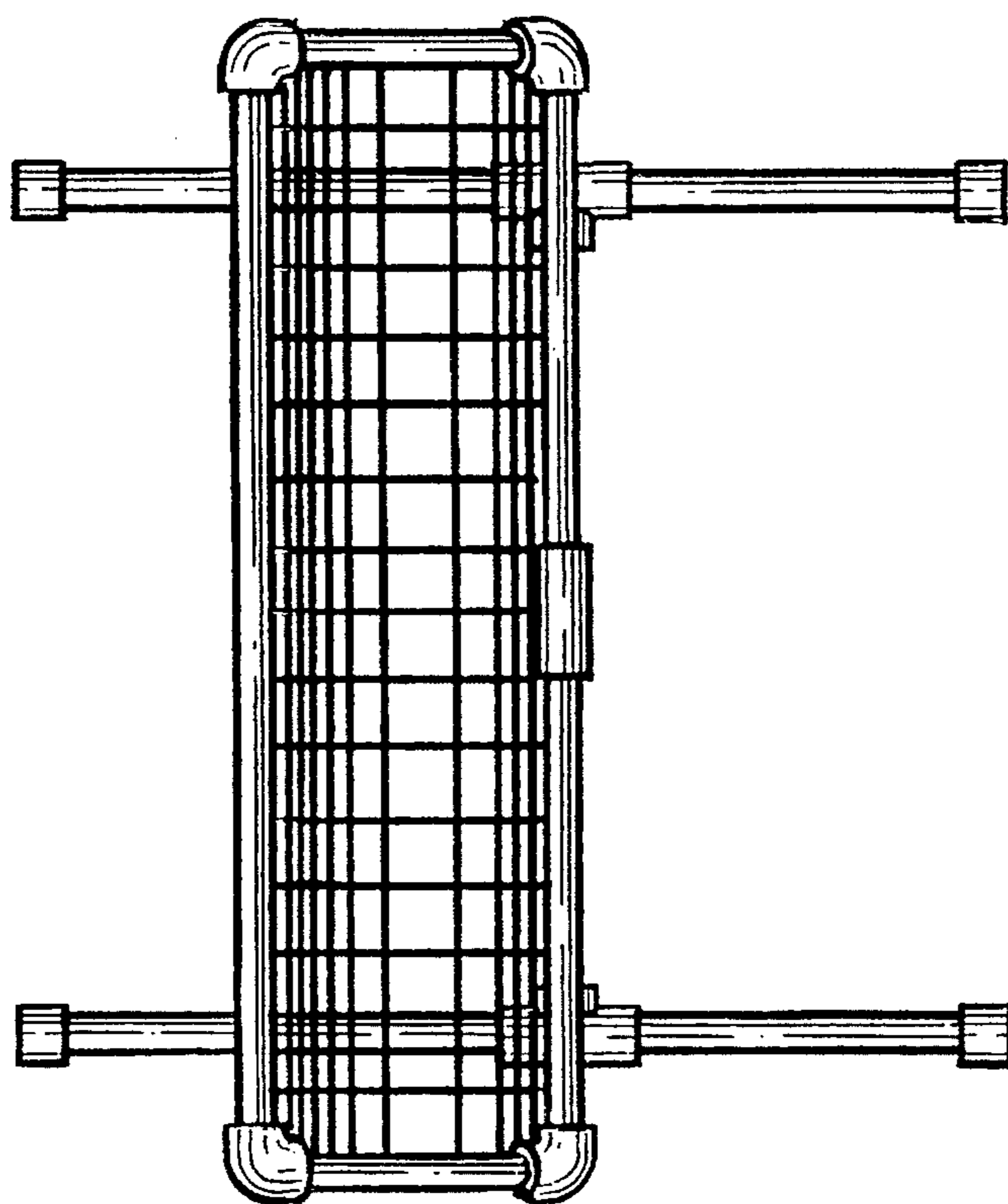


FIG. 5.

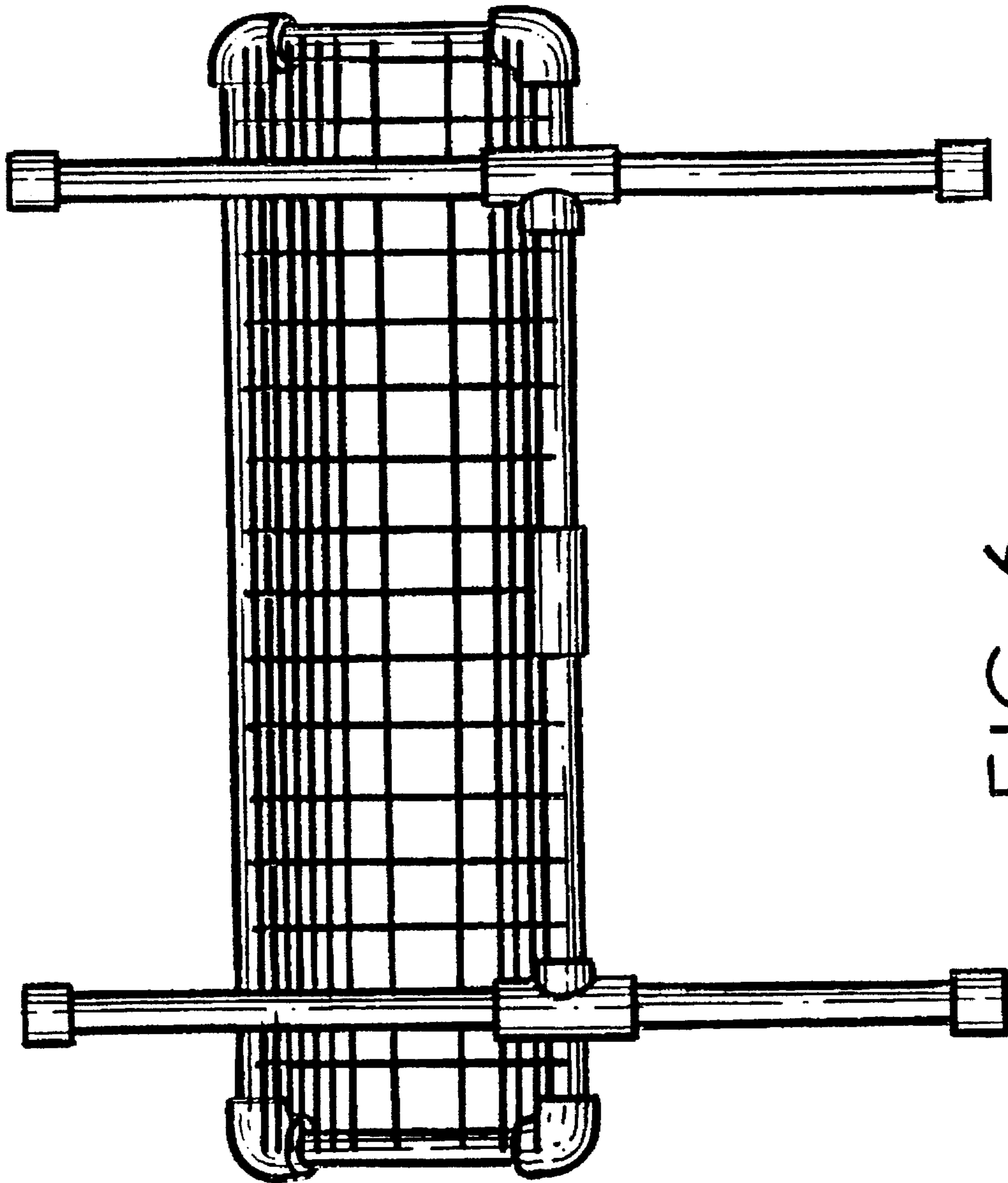


FIG. 6.