



US00D371586S

**United States Patent** [19]  
**Snyder**

[11] **Patent Number: Des. 371,586**  
[45] **Date of Patent: \*\*Jul. 9, 1996**

[54] **EXERCISE SUPPORT STAND**

[76] Inventor: **Marnie Snyder**, 10877 Bill Point Cir.,  
Bainbridge Island, Wash. 98110

[\*\*] Term: **14 Years**

[21] Appl. No.: **27,527**

[22] Filed: **Sep. 8, 1994**

[52] **U.S. Cl.** ..... **D21/191**

[58] **Field of Search** ..... D21/191, 198;  
482/38, 121, 39, 142; D6/462; 211/182

[56] **References Cited**

**U.S. PATENT DOCUMENTS**

D. 288,755	3/1987	Schoenig	.....	D6/462
D. 290,033	5/1987	Policastro	.....	D21/198
D. 301,418	6/1989	Wernick	.....	D6/462
D. 337,007	7/1993	Hanson	.....	D6/462
2,932,510	4/1960	Kravitz	.....	D21/191
4,126,307	11/1978	Stevenson	.....	482/39
4,241,914	12/1980	Bushnell	.....	482/38
4,696,470	9/1987	Fenner	.....	482/142
5,290,209	3/1994	Wilkinson	.....	482/38

**FOREIGN PATENT DOCUMENTS**

2534815	4/1984	France	.....	482/38
---------	--------	--------	-------	--------

*Primary Examiner*—Philip S. Hyder  
*Attorney, Agent, or Firm*—Christensen, O'Connor, Johnson  
& Kindness

[57] **CLAIM**

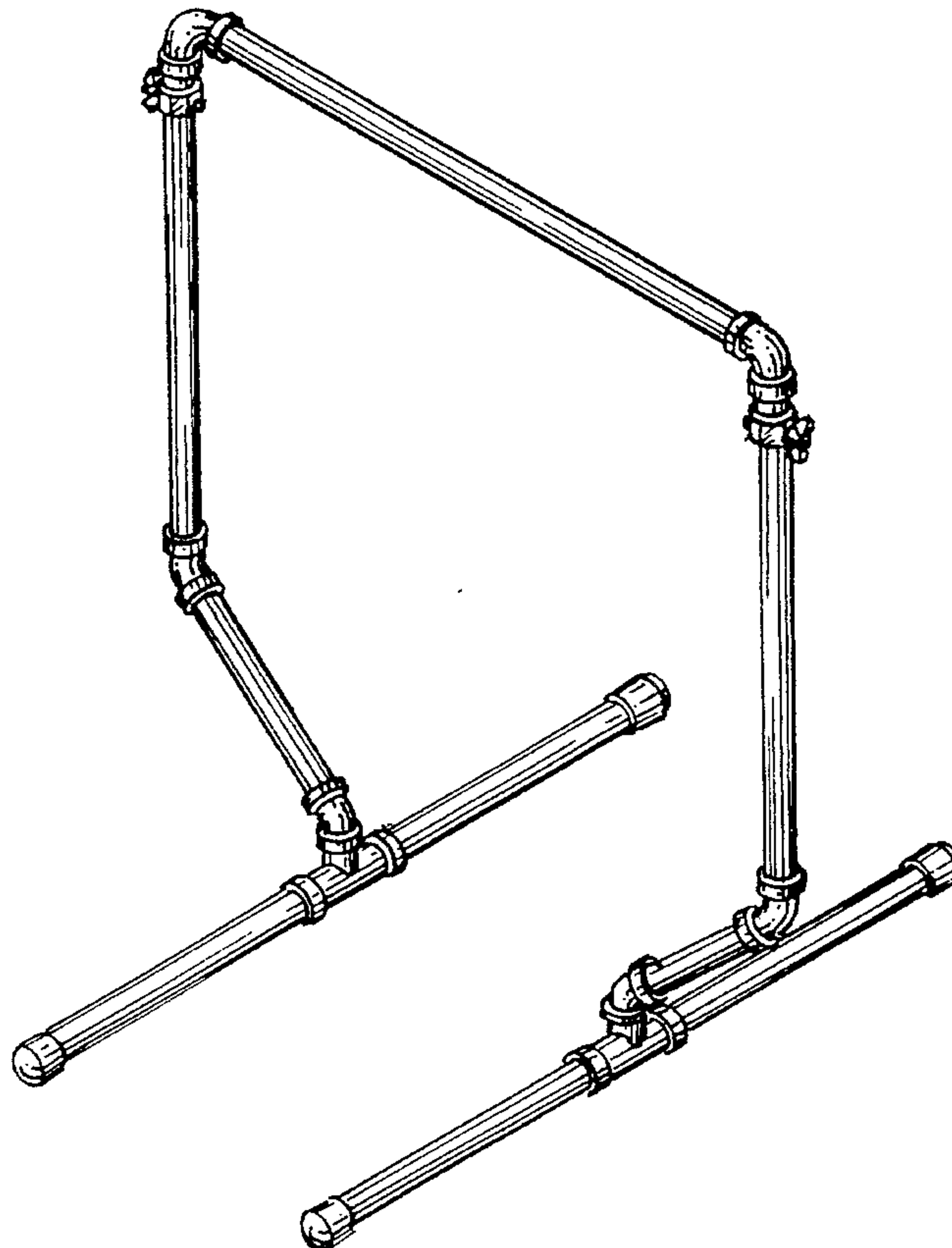
The ornamental design for an exercise support stand, as shown and described.

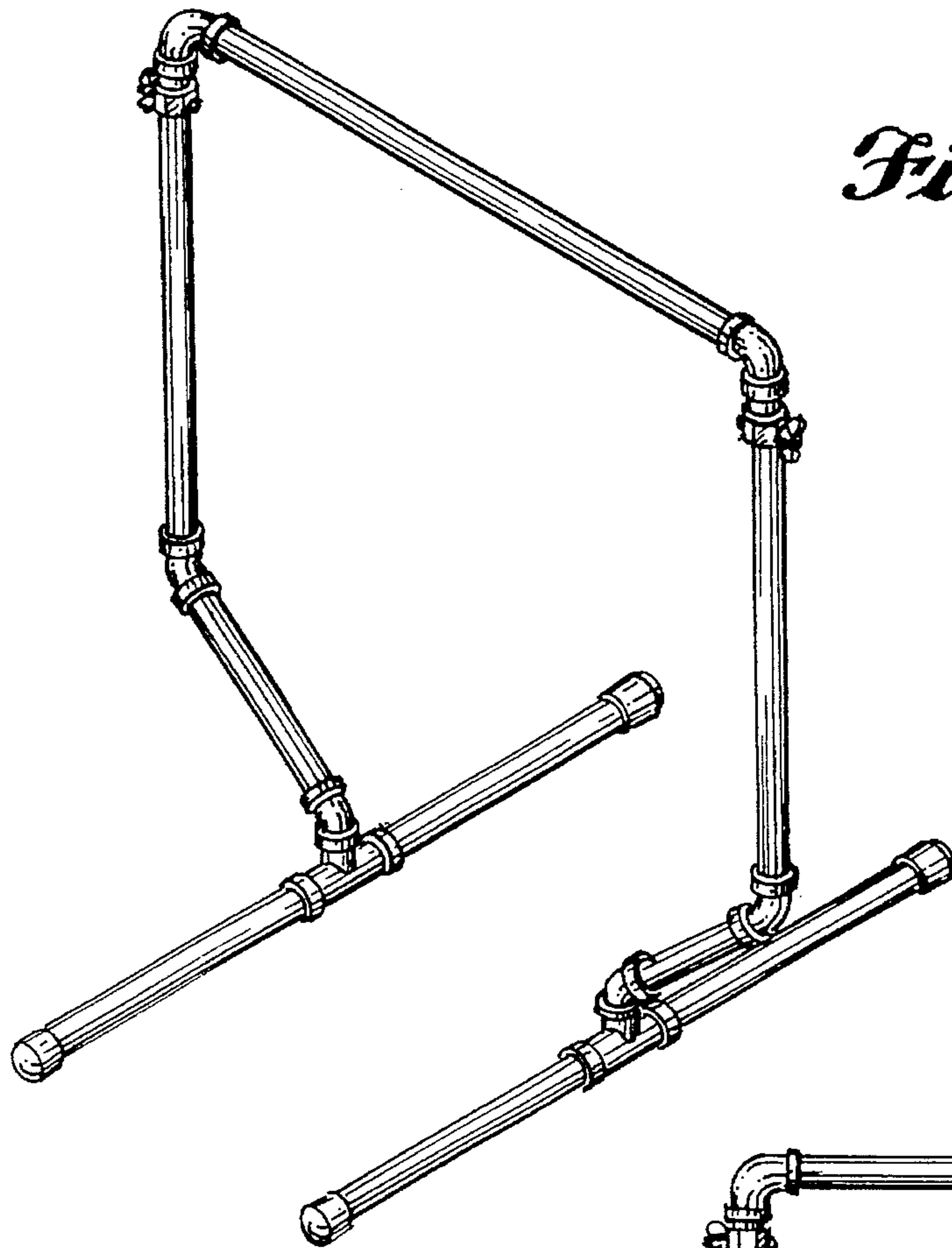
**DESCRIPTION**

FIG. 1 is a top perspective view of an exercise support stand showing my new design;  
 FIG. 2 is a front elevational view thereof, taken from the left of FIG. 1, the rear view being a mirror image of FIG. 2;  
 FIG. 3 is a top plan view thereof;  
 FIG. 4 is a side elevational view thereof taken from the right of FIG. 1, the opposite side elevational view thereof being the mirror image of FIG. 4;  
 FIG. 5 is a bottom plan view thereof;  
 FIG. 6 is a top perspective view of a second embodiment thereof;  
 FIG. 7 is a front elevational view of the second embodiment, taken from the left of FIG. 6, the rear view being a mirror image of FIG. 7;  
 FIG. 8 is a top plan view of the second embodiment thereof;  
 FIG. 9 is a side elevational view of the second embodiment thereof taken from the right of FIG. 6, the opposite side elevational view of the second embodiment thereof being the mirror image of FIG. 9; and,  
 FIG. 10 is a bottom plan view of the second embodiment thereof.

The broken line showing of the exercise step in FIG. 2 is for illustrative purposes only and forms no part of the claimed design.

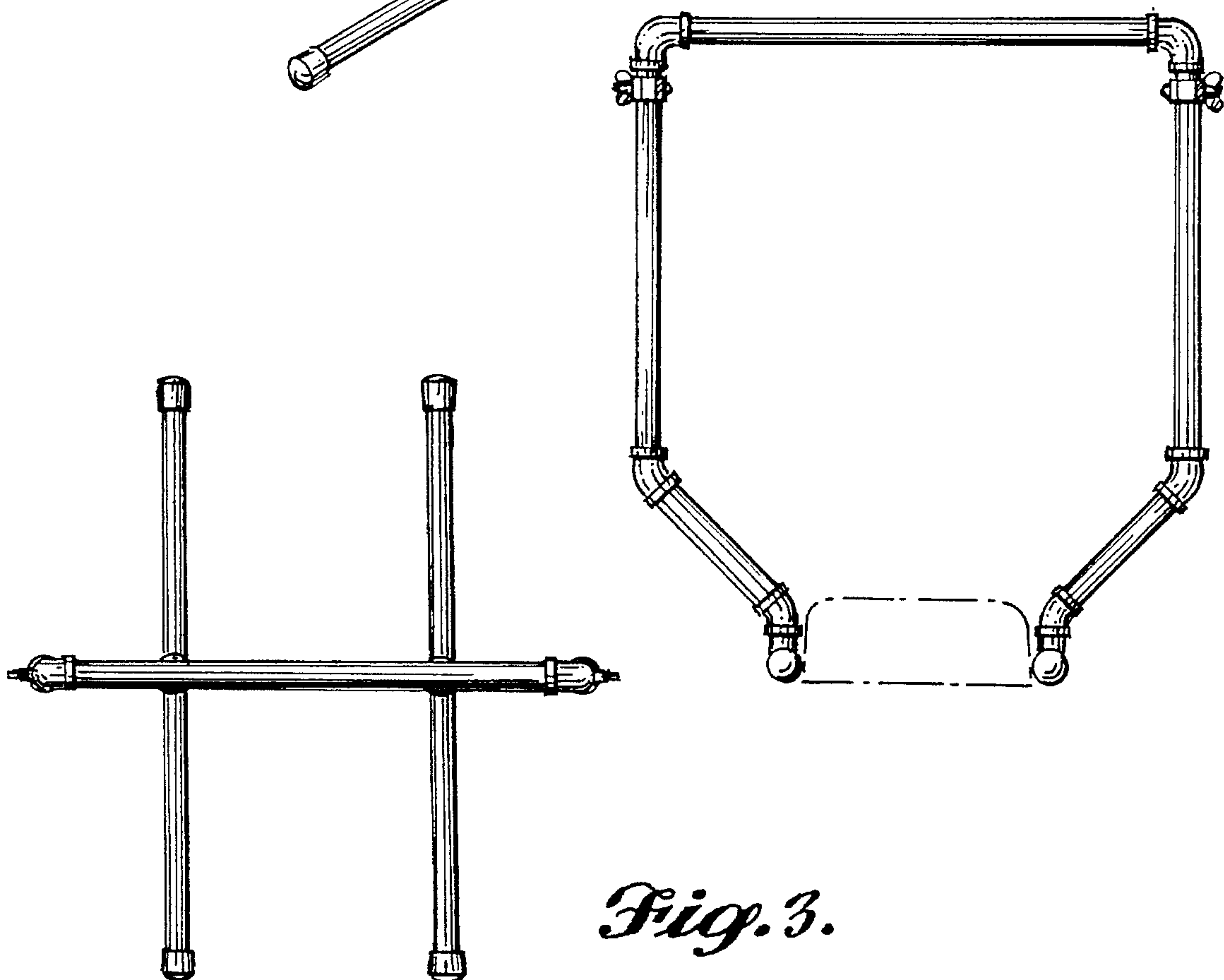
**1 Claim, 4 Drawing Sheets**



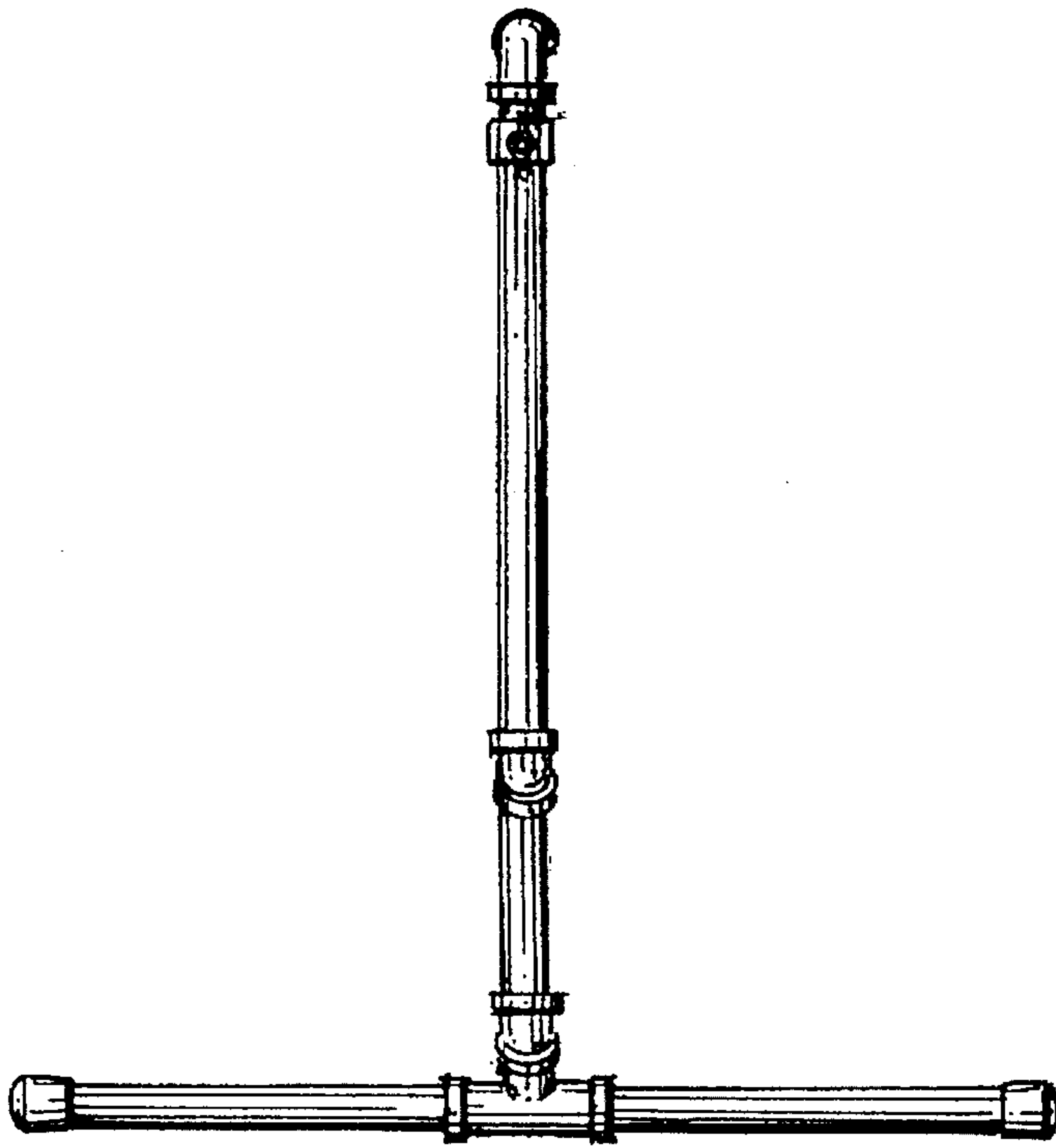


*Fig. 1.*

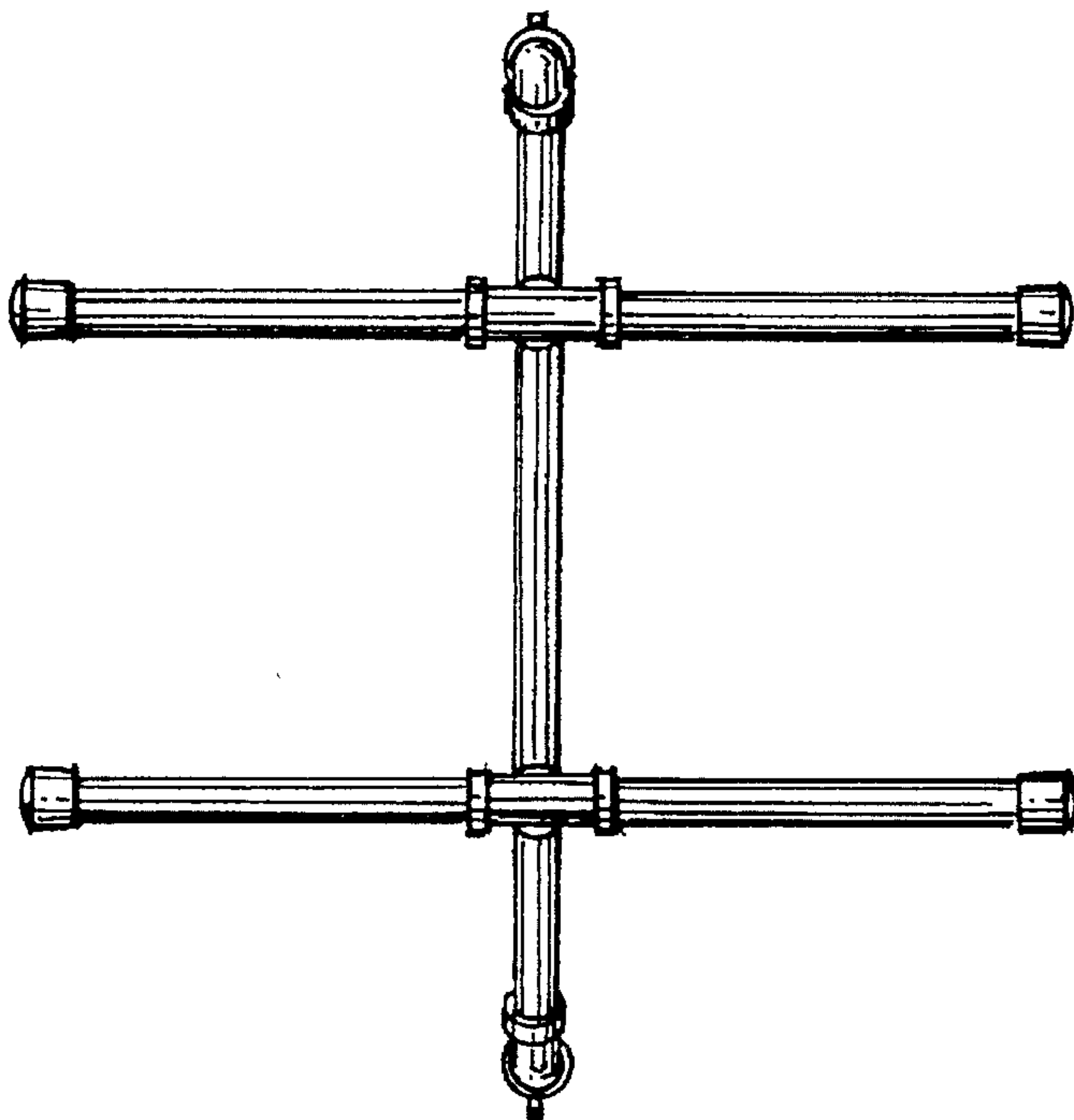
*Fig. 2.*



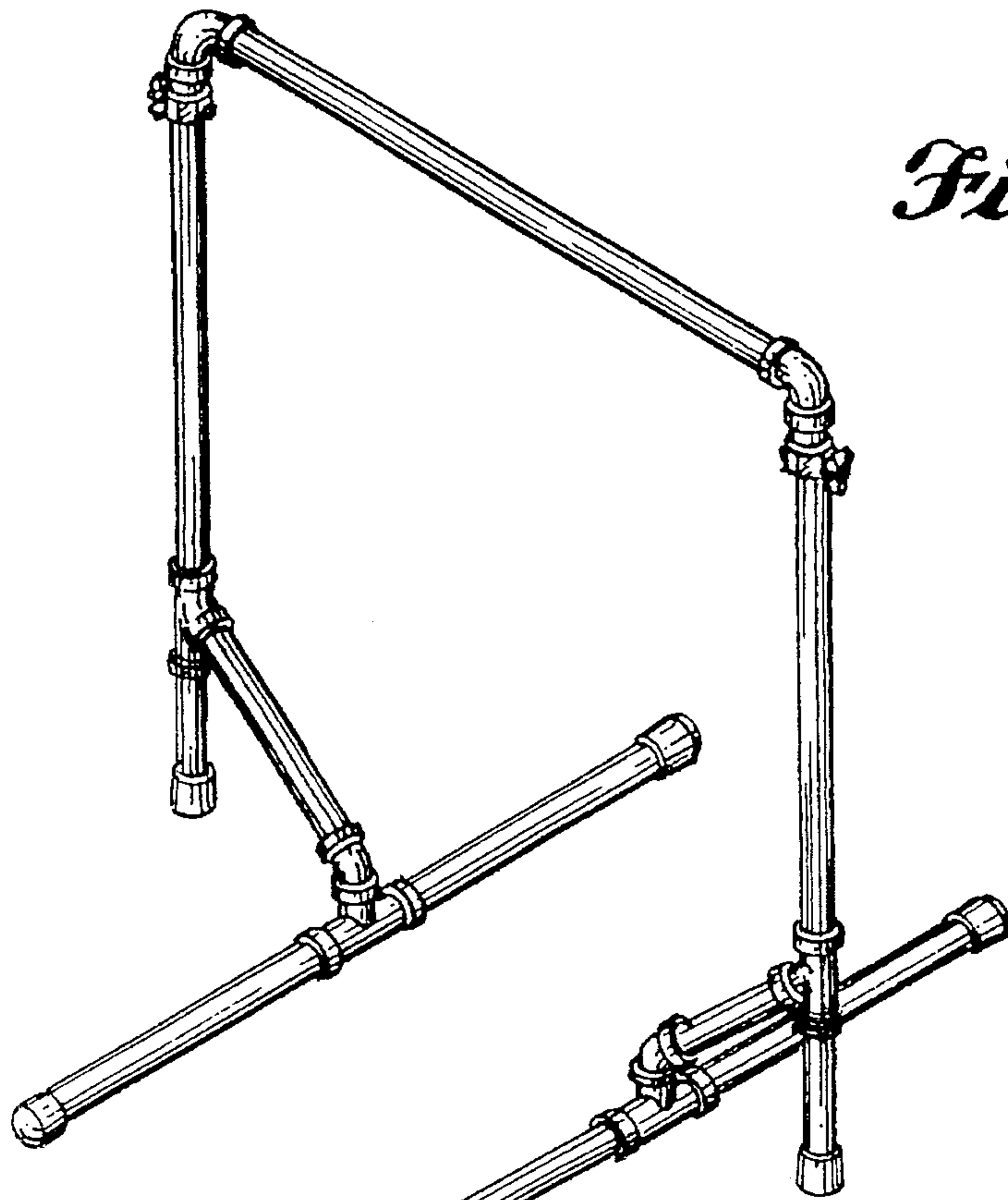
*Fig. 3.*



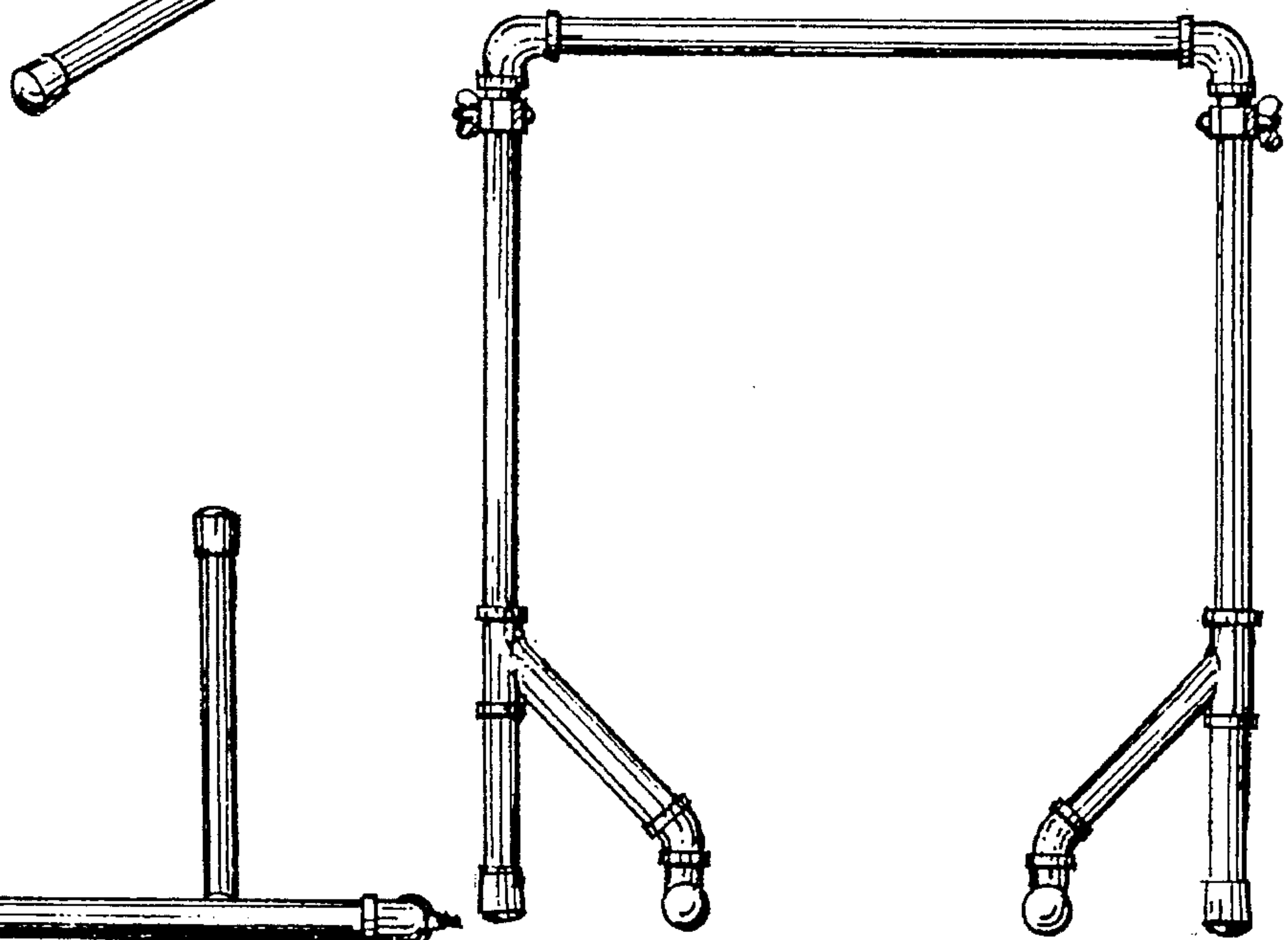
*Fig. 4.*



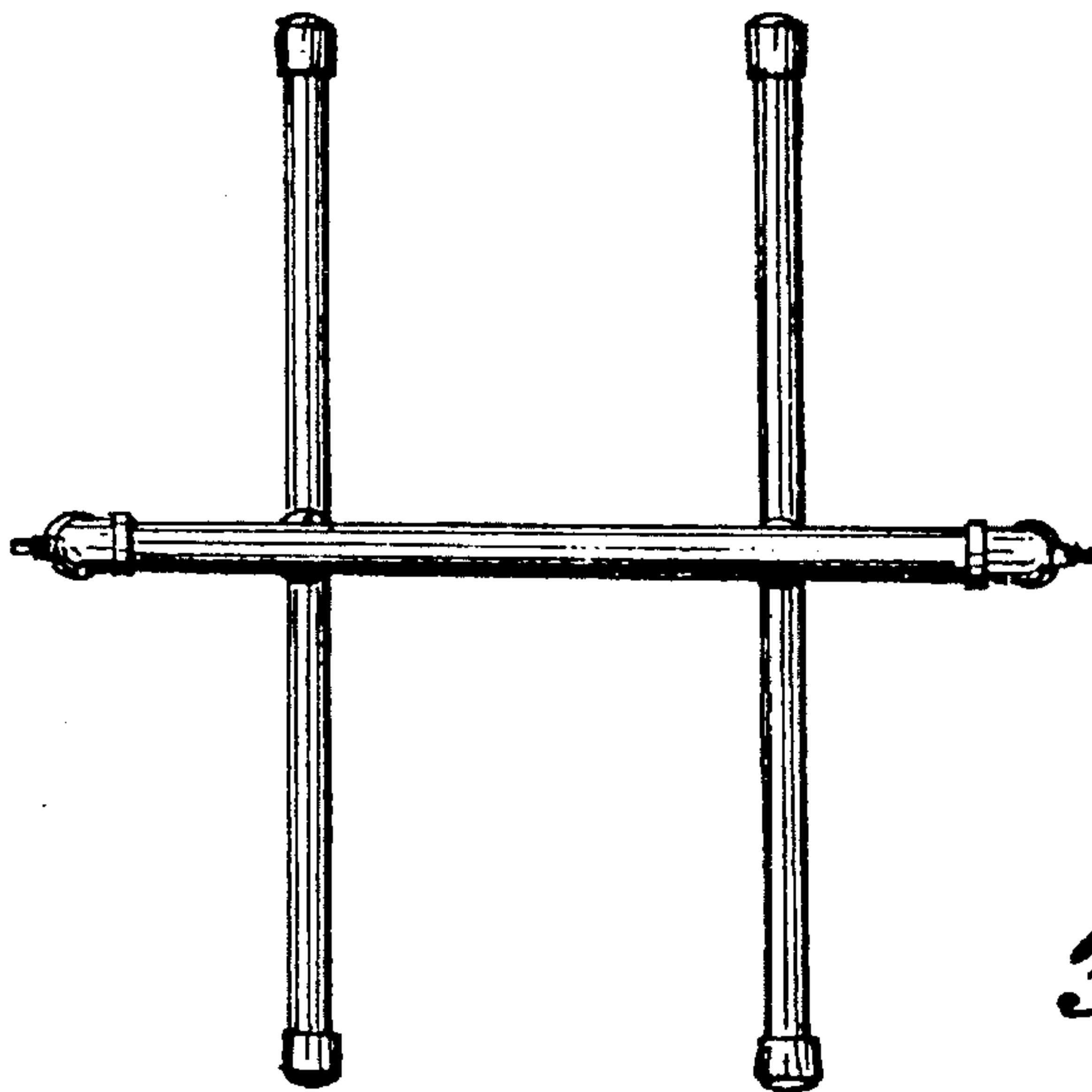
*Fig. 5.*



*Fig. 6.*

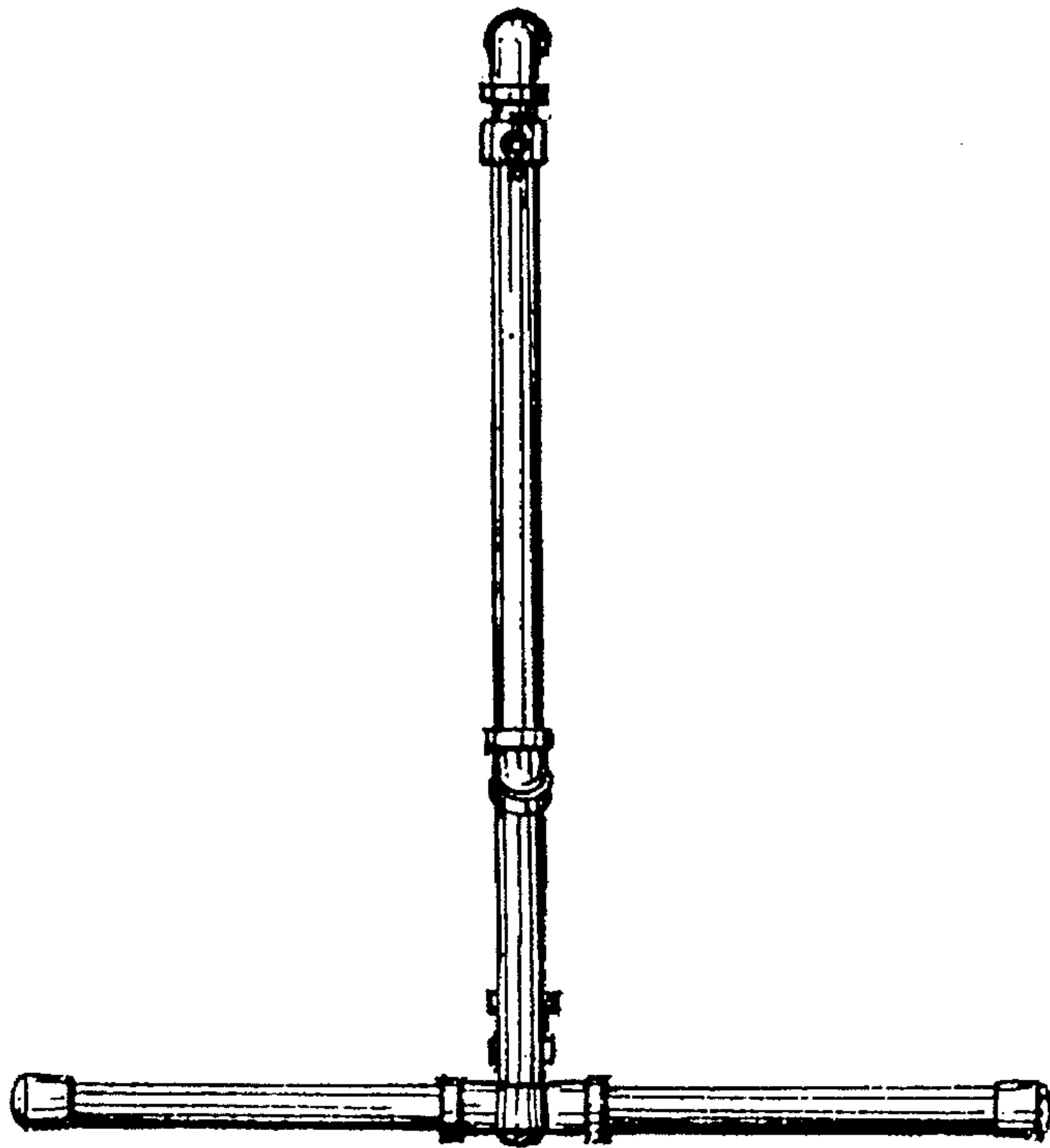


*Fig. 7.*

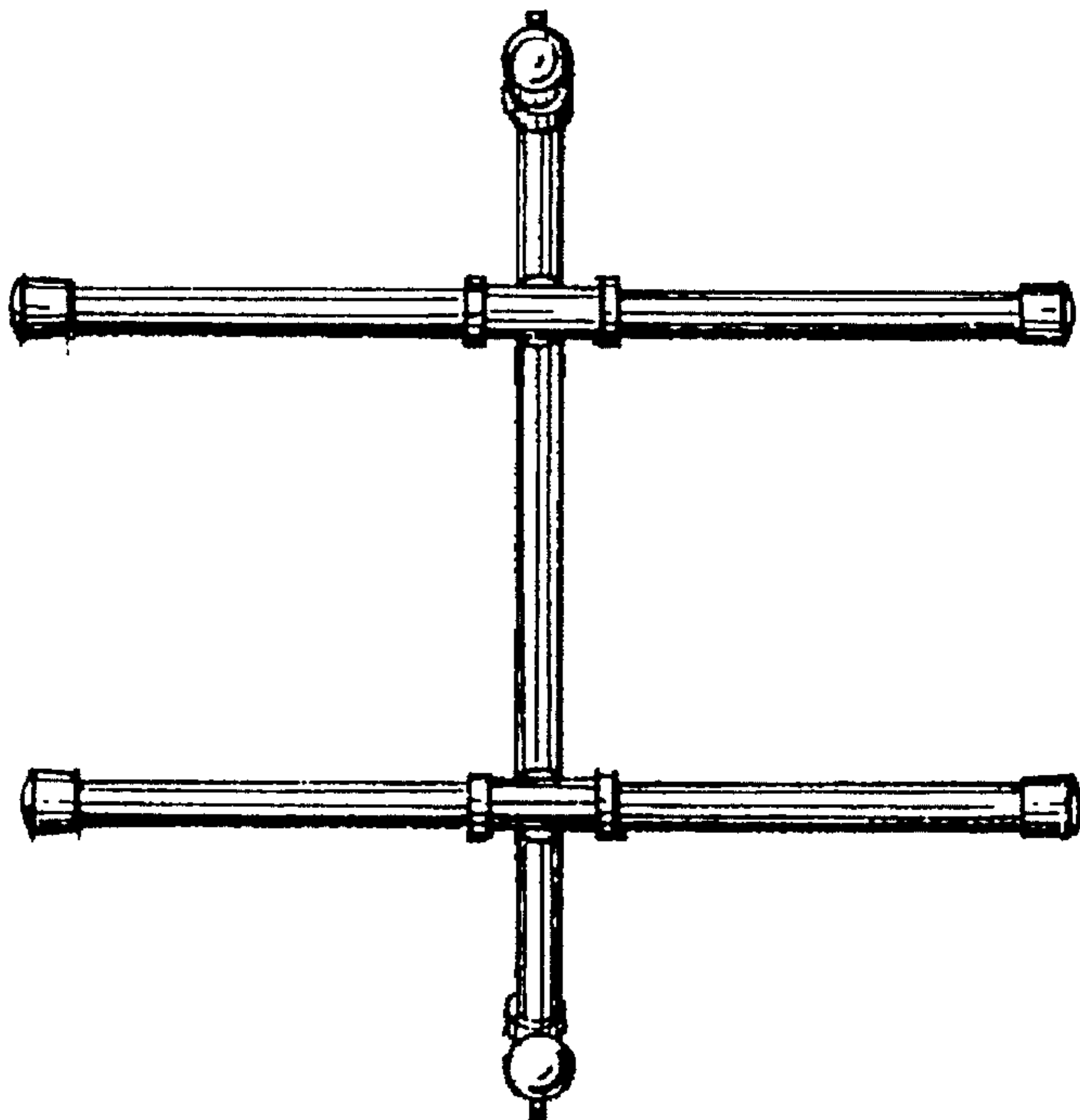


*Fig. 8.*





*Fig. 9.*



*Fig. 10.*