



US00D371584S

**United States Patent** [19]  
**Knudsen**

[11] **Patent Number: Des. 371,584**  
[45] **Date of Patent: \*\*Jul. 9, 1996**

[54] **TOY BUILDING ELEMENT**

[75] Inventor: **Jens N. Knudsen**, Billund, Denmark  
[73] Assignee: **Interlego AG**, Baar, Switzerland  
[\*\*] Term: **14 Years**

[21] Appl. No.: **43,969**  
[22] Filed: **Sep. 14, 1995**  
[52] U.S. Cl. .... **D21/108**  
[58] **Field of Search** ..... D21/108, 109,  
D21/141; 446/103, 110, 115, 120, 124,  
125, 126, 128, 479, 487

[56] **References Cited**

**U.S. PATENT DOCUMENTS**

D. 296,345	6/1988	Kushner	.....	D21/108
D. 303,819	10/1989	Frederiksen	.....	D21/108
D. 342,552	12/1993	Pagel	.....	D21/108
1,092,591	4/1914	Pajeanu	.....	D21/108
3,766,683	10/1973	Vennola	.....	446/126

**OTHER PUBLICATIONS**

Reynolds Metal Catalog p. 4 Metal Panel above doors.

*Primary Examiner*—Terry A. Wallace

*Assistant Examiner*—R. Barkai

*Attorney, Agent, or Firm*—Kane, Dalsimer, Sullivan,  
Kurucz, Levy, Eisele and Richard

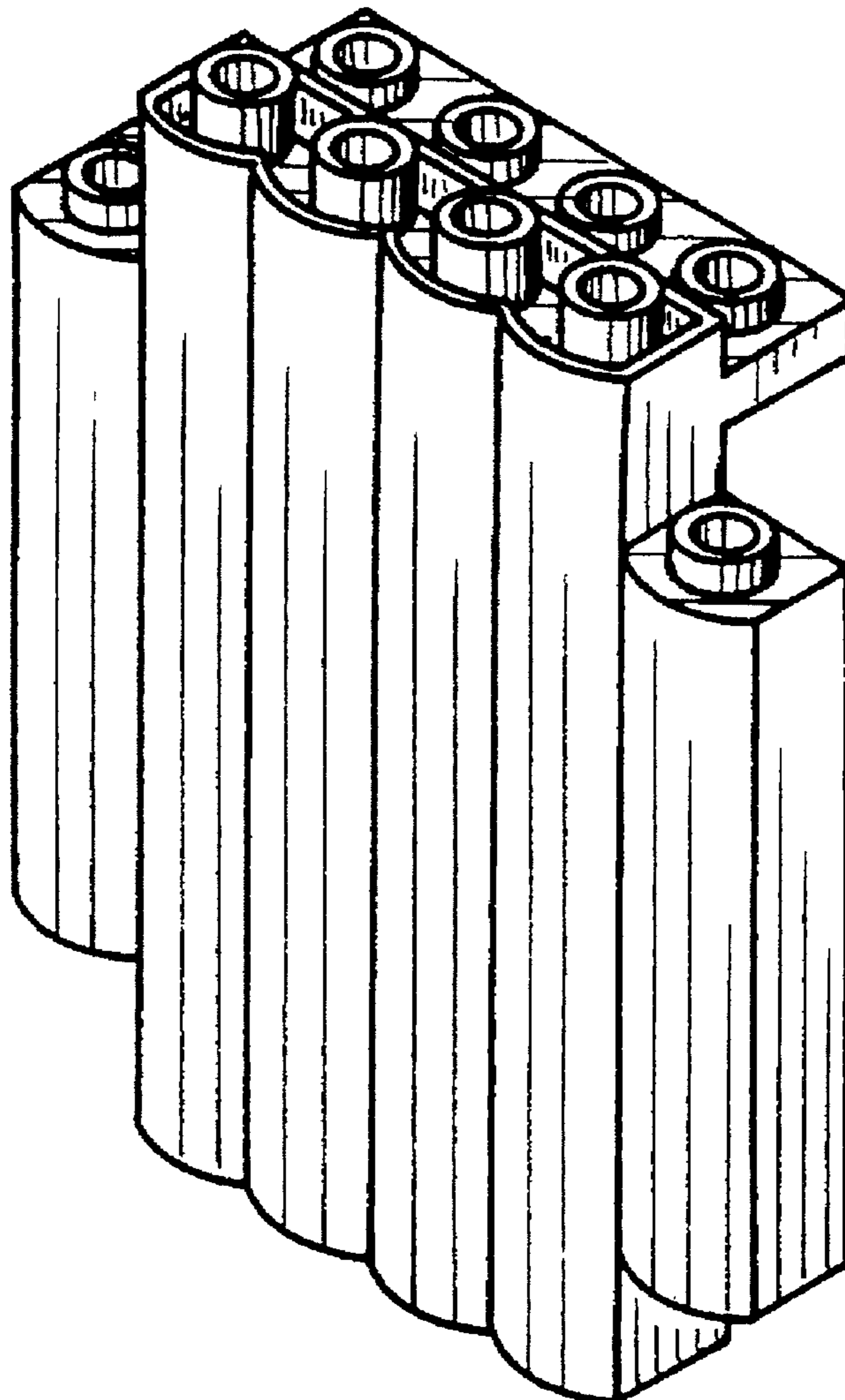
[57] **CLAIM**

The ornamental design for a toy building element, as shown and described.

**DESCRIPTION**

FIG. 1 is a top perspective view of the toy building element showing my new design;  
FIG. 2 is a bottom perspective view thereof;  
FIG. 3 is a rear elevational view thereof;  
FIG. 4 is a right side elevational view thereof; the left side being a mirror image thereof;  
FIG. 5 is a front elevational view thereof;  
FIG. 6 is a bottom plan view thereof; and,  
FIG. 7 is a top plan view thereof.

**1 Claim, 2 Drawing Sheets**



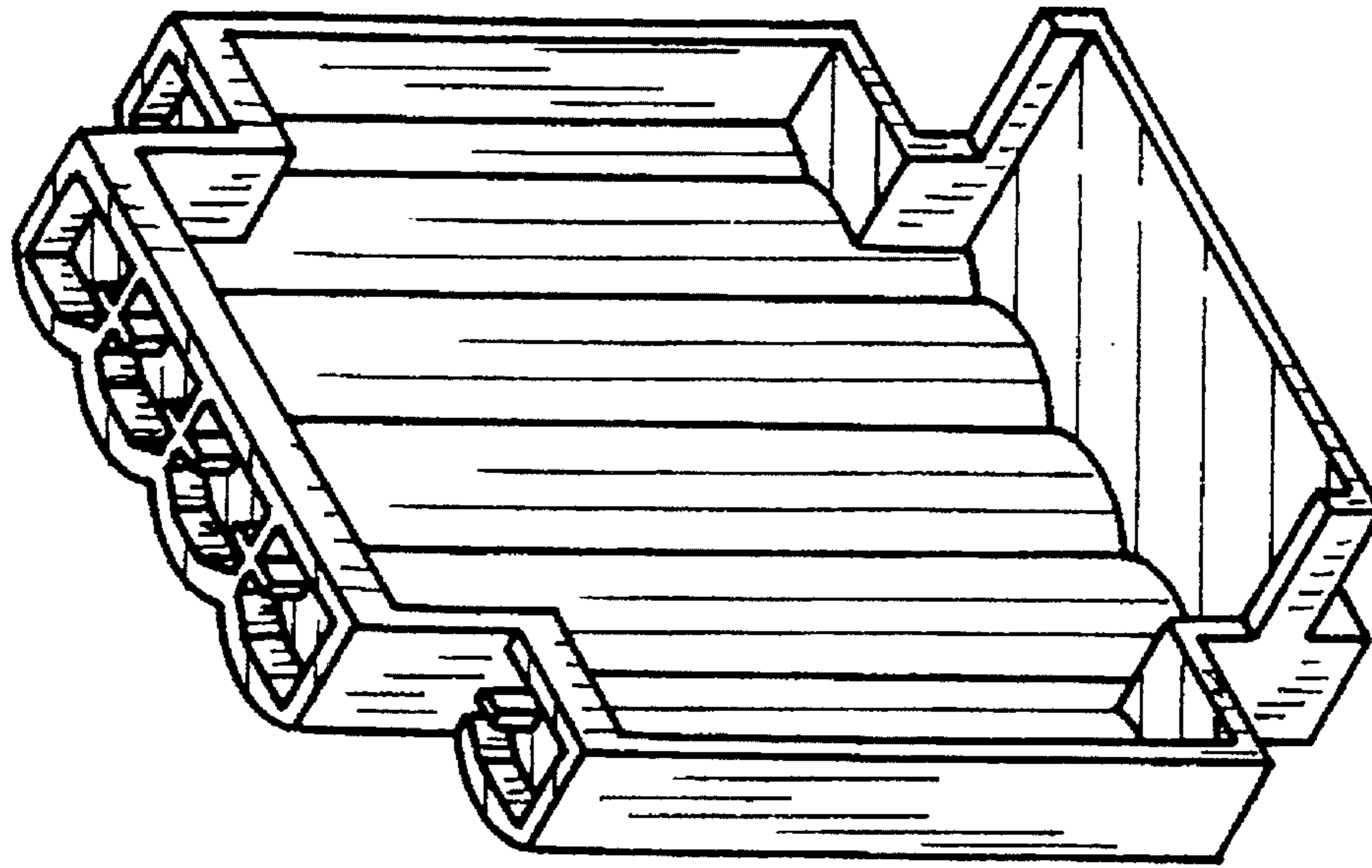


FIG. 1

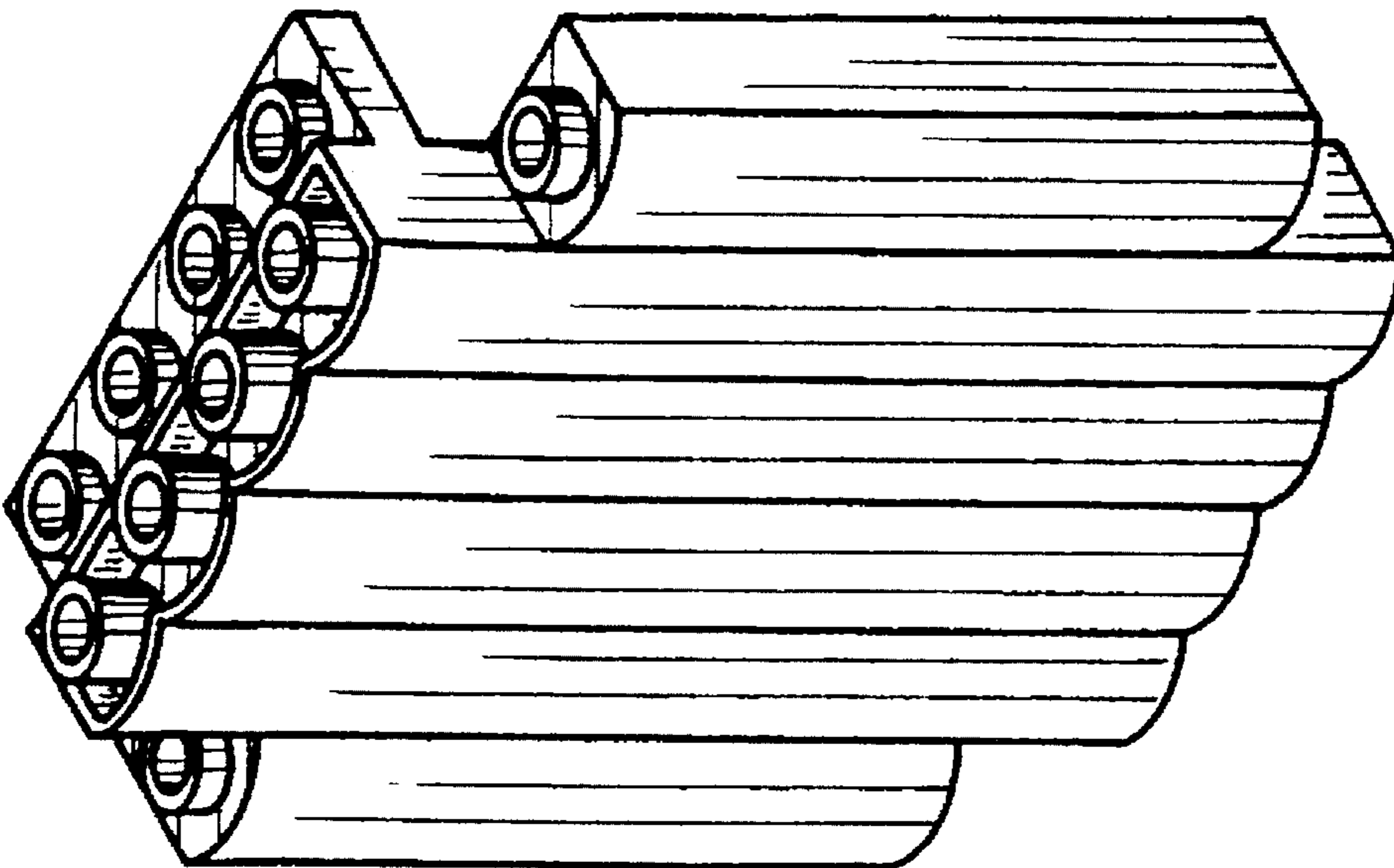


FIG. 2

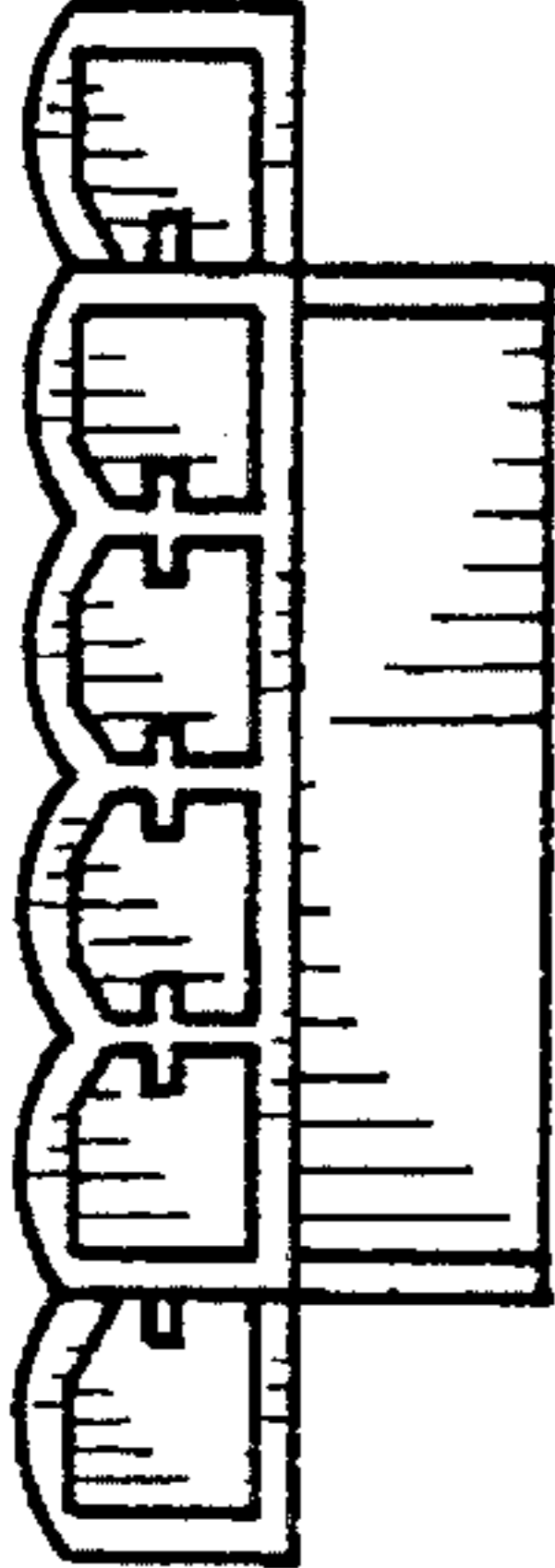


FIG. 6

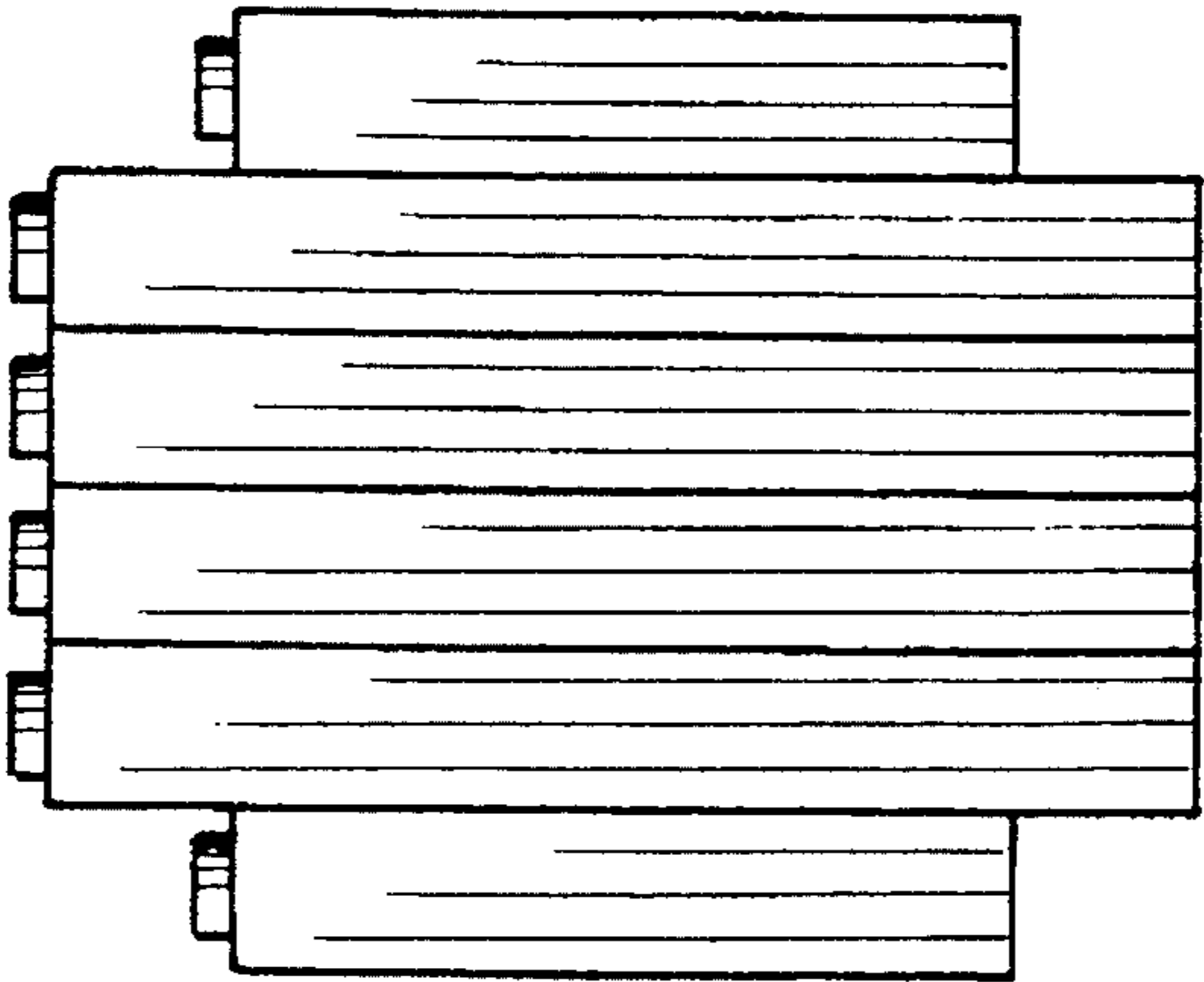


FIG. 5

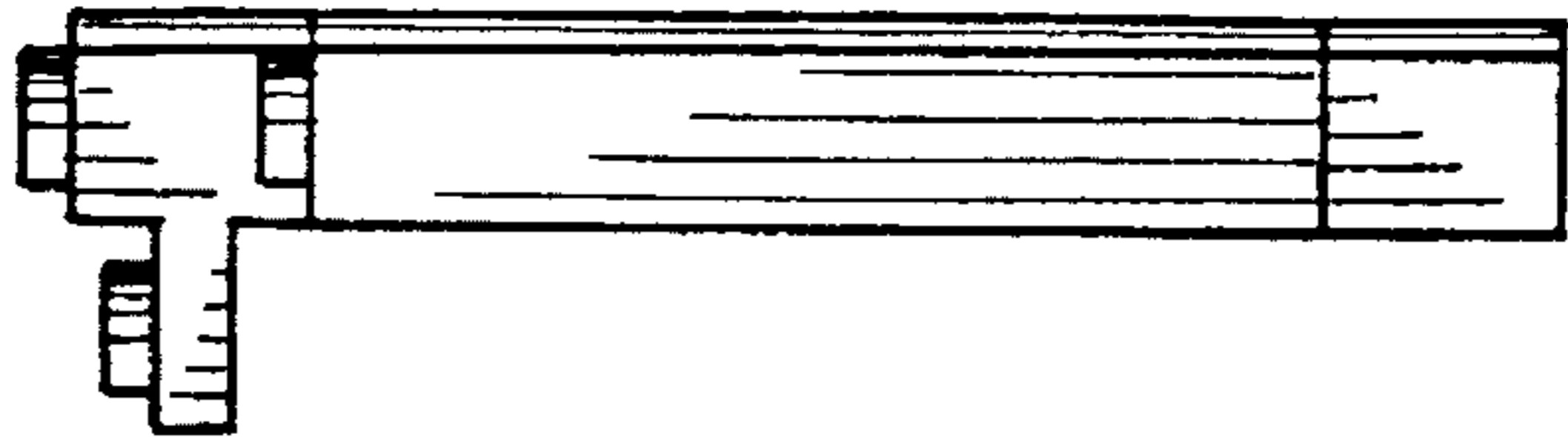


FIG. 4

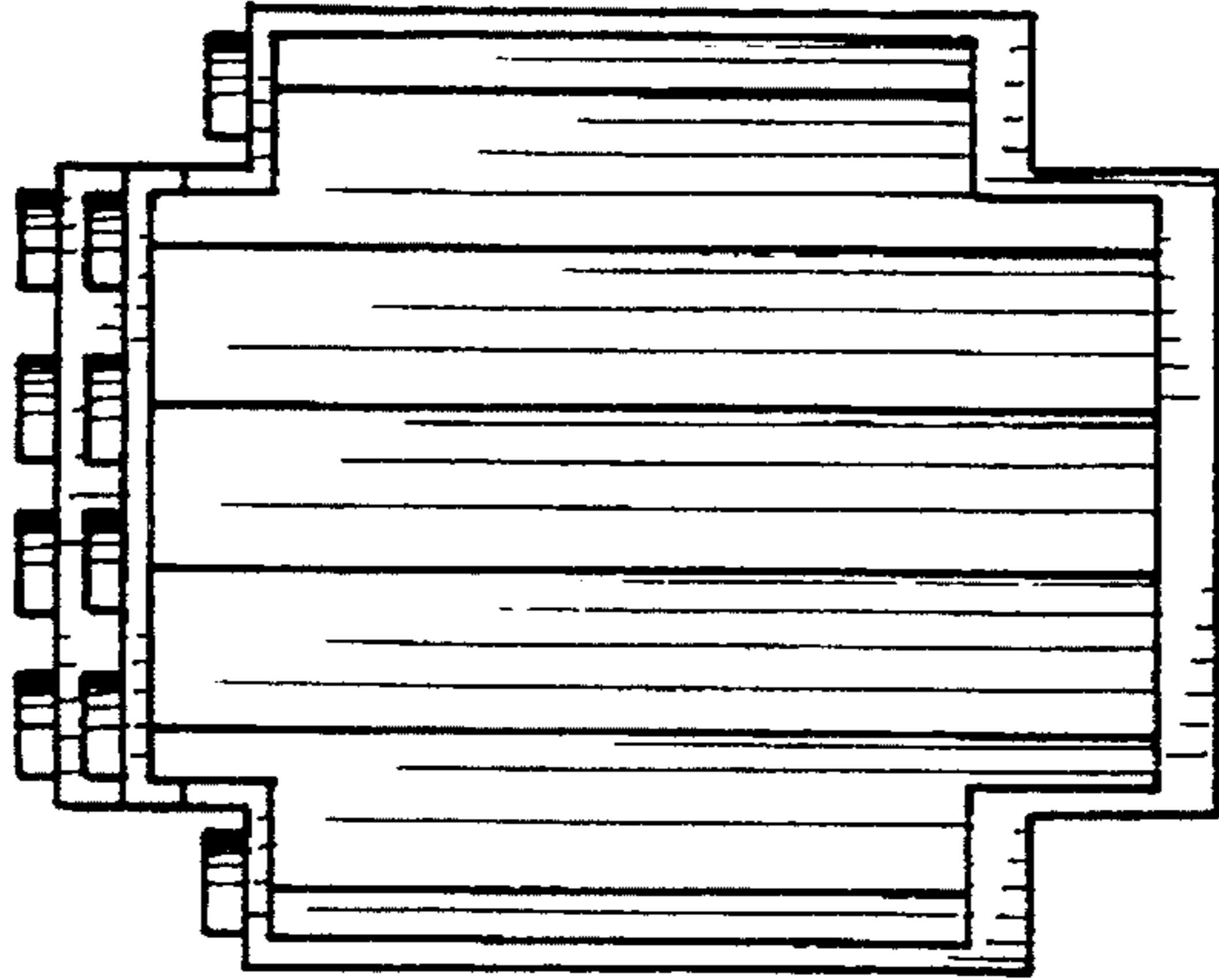


FIG. 3

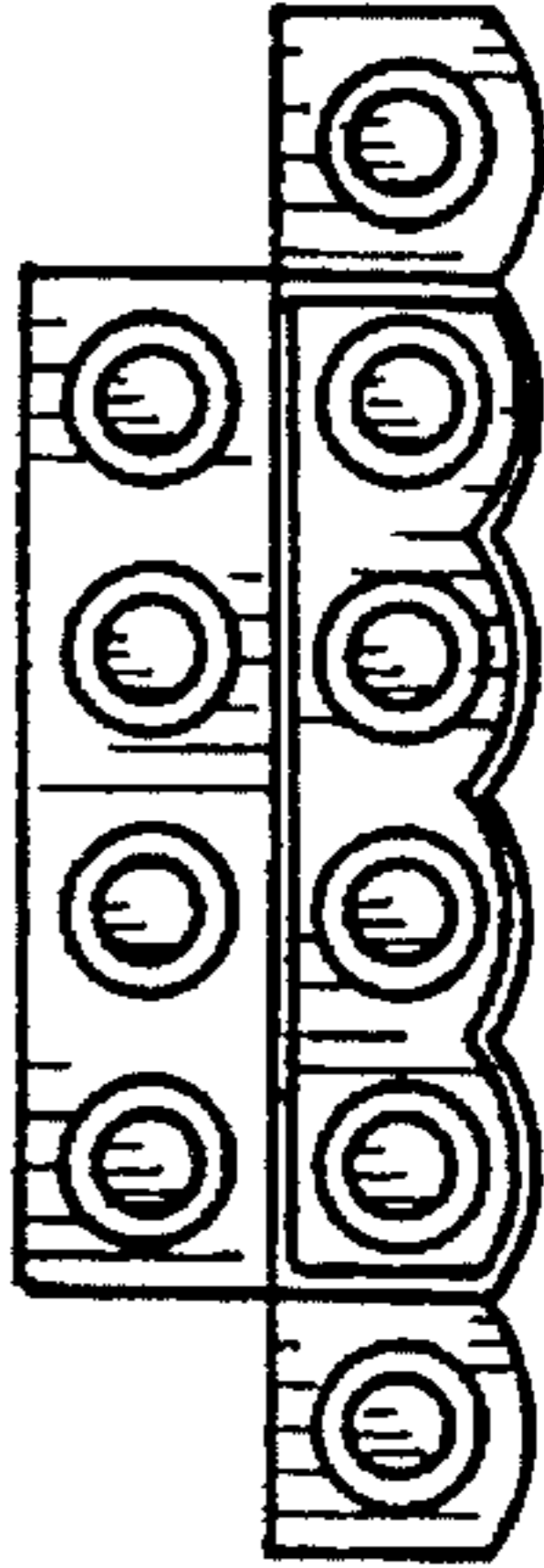


FIG. 7