



US00D371582S

United States Patent [19]

Olsen et al.

[11] Patent Number: **Des. 371,582**

[45] Date of Patent: ****Jul. 9, 1996**

[54] TOY BUILDING ELEMENT

5,427,558 6/1995 Knudsen et al. .

[75] Inventors: **Flemming H. Olsen**, Esbjerg; **Per Brømsø**, Copenhagen, both of Denmark

Primary Examiner—Terry A. Wallace

Assistant Examiner—R. Barkai

Attorney, Agent, or Firm—Kane, Dalsimer, Sullivan, Kurucz, Levy, Eisele and Richard

[73] Assignee: **INTERLEGO AG**, Baar, Switzerland

[**] Term: **14 Years**

[57] CLAIM

The ornamental design for a toy building element, as shown and described.

[21] Appl. No.: **43,917**

[22] Filed: **Sep. 14, 1995**

DESCRIPTION

[52] U.S. Cl. **D21/108**

[58] Field of Search D21/108; 446/75, 446/110, 115, 116, 120, 124, 125, 128

FIG. 1 is a top perspective view of the toy building element showing our new design;

FIG. 2 is a bottom perspective view thereof;

FIG. 3 is a right side elevational view thereof;

FIG. 4 is a rear elevational view thereof;

FIG. 5 is a left side elevational view thereof;

FIG. 6 is a front elevational view thereof;

FIG. 7 is a bottom plan view thereof; and,

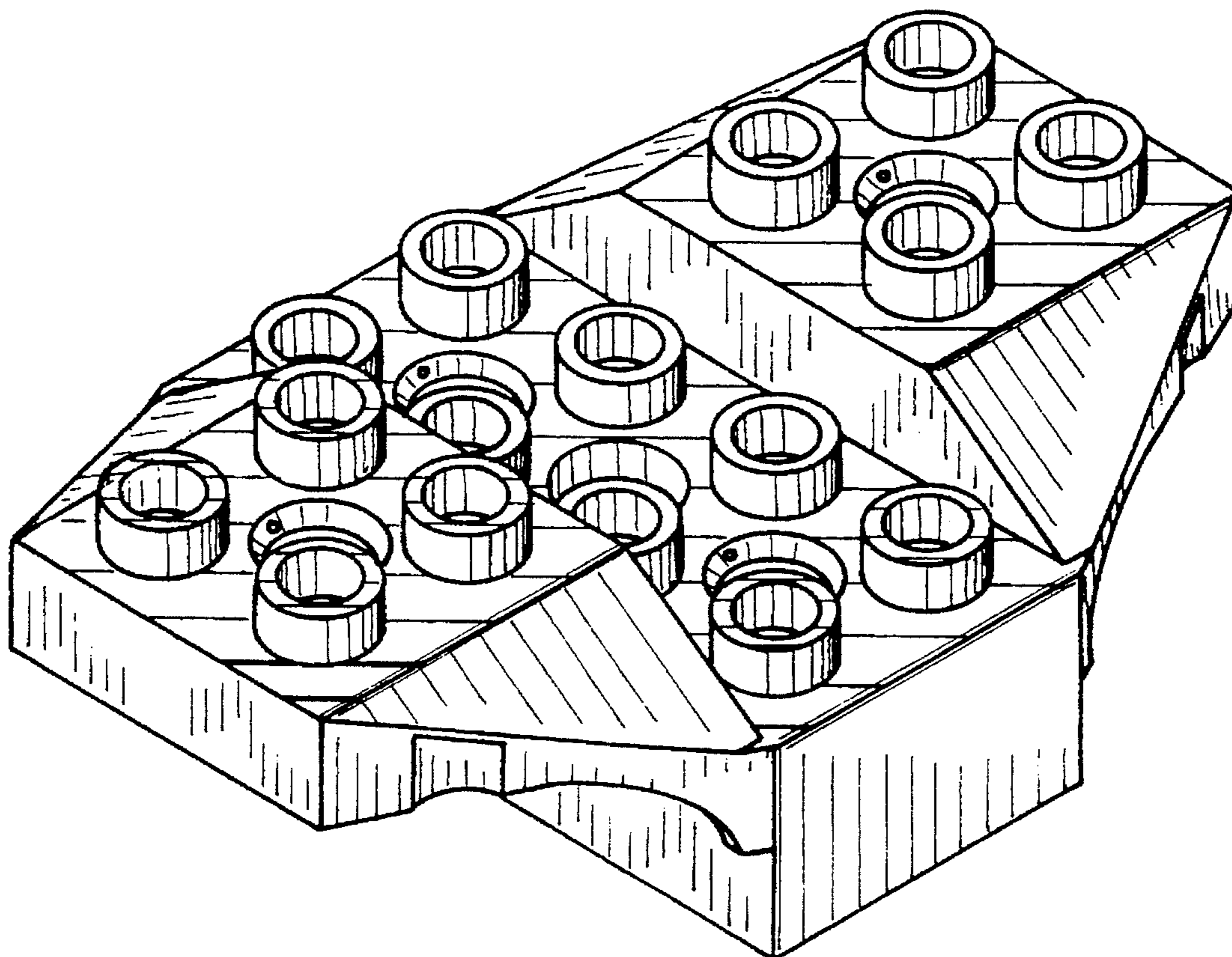
FIG. 8 is a top plan view thereof.

[56] References Cited

U.S. PATENT DOCUMENTS

D. 285,707	9/1986	Dideriksen	D21/108
D. 333,850	3/1993	Olsen	D21/108
D. 335,155	4/1993	Pedersen	D21/108
D. 335,159	4/1993	Olsen	D21/108
D. 352,751	11/1994	Hatting	D21/108

1 Claim, 3 Drawing Sheets



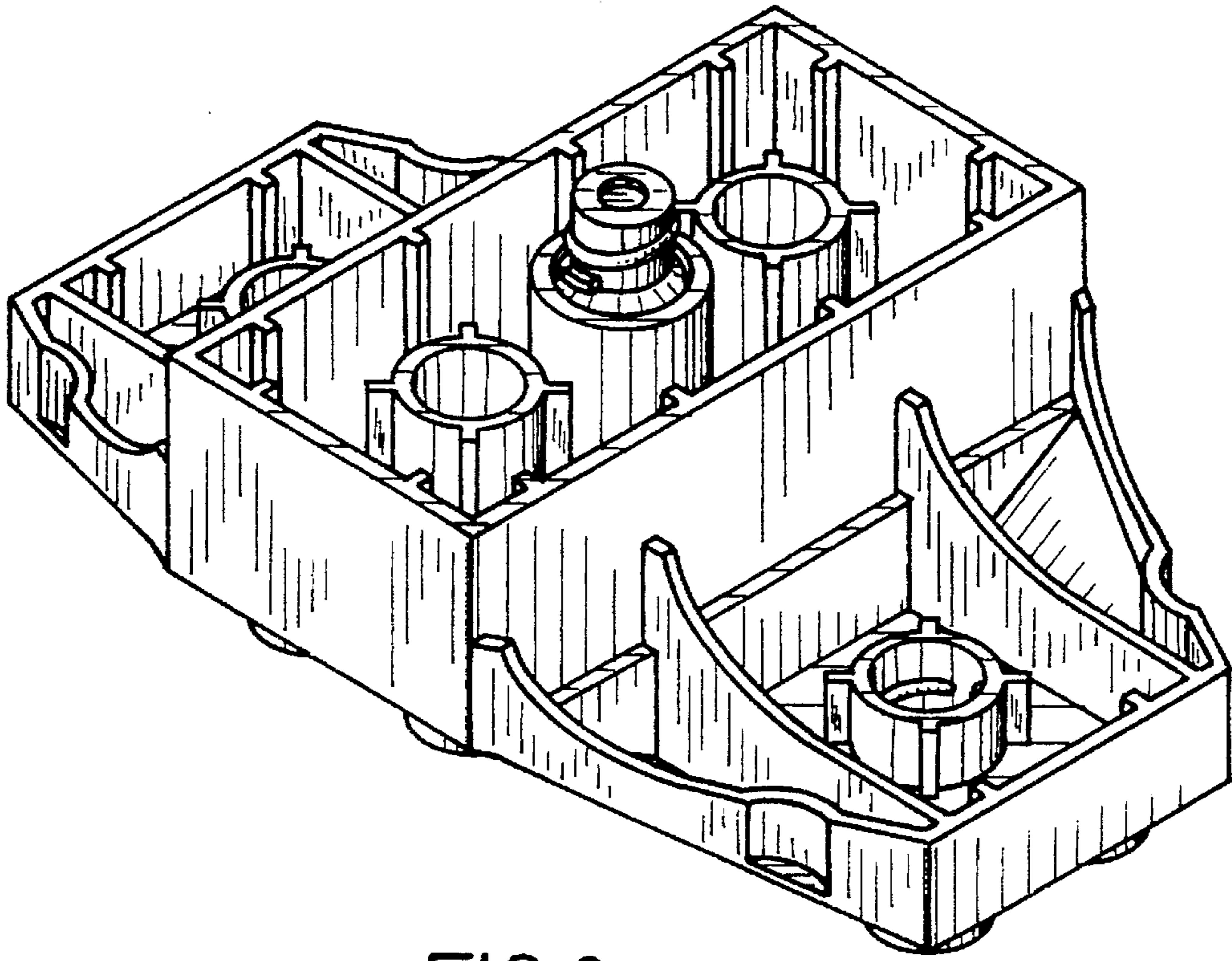


FIG. 2

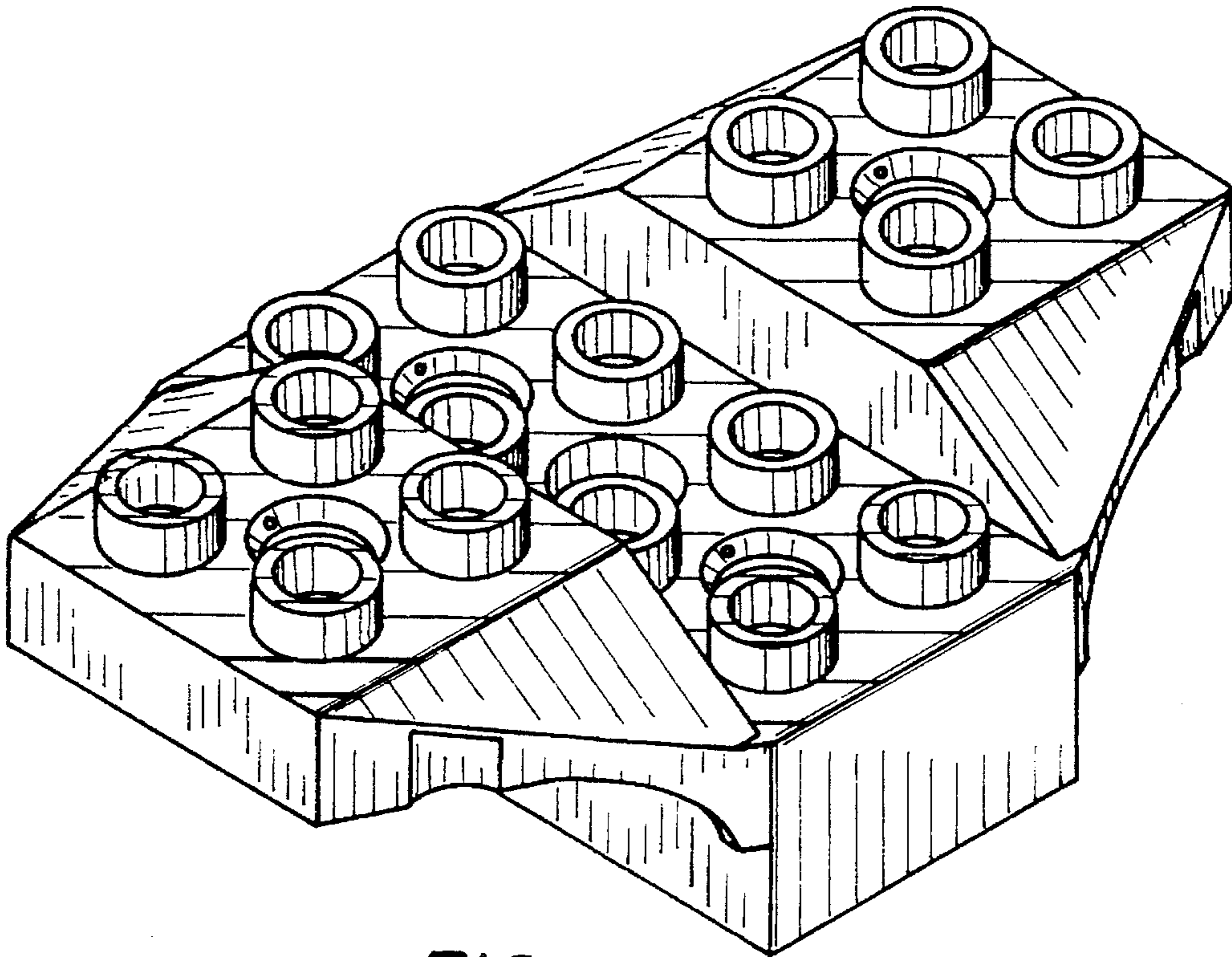


FIG. 1

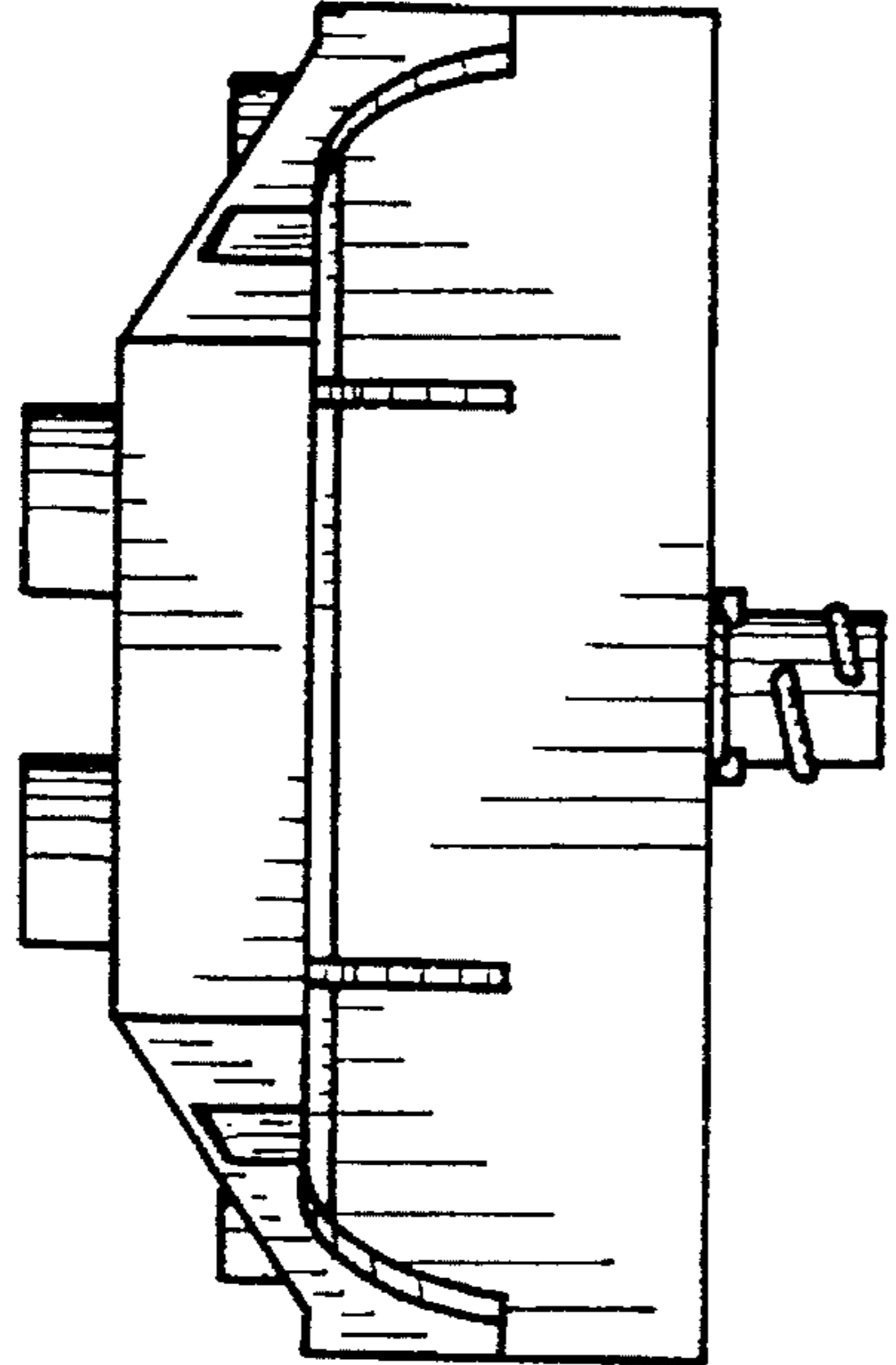


FIG. 4

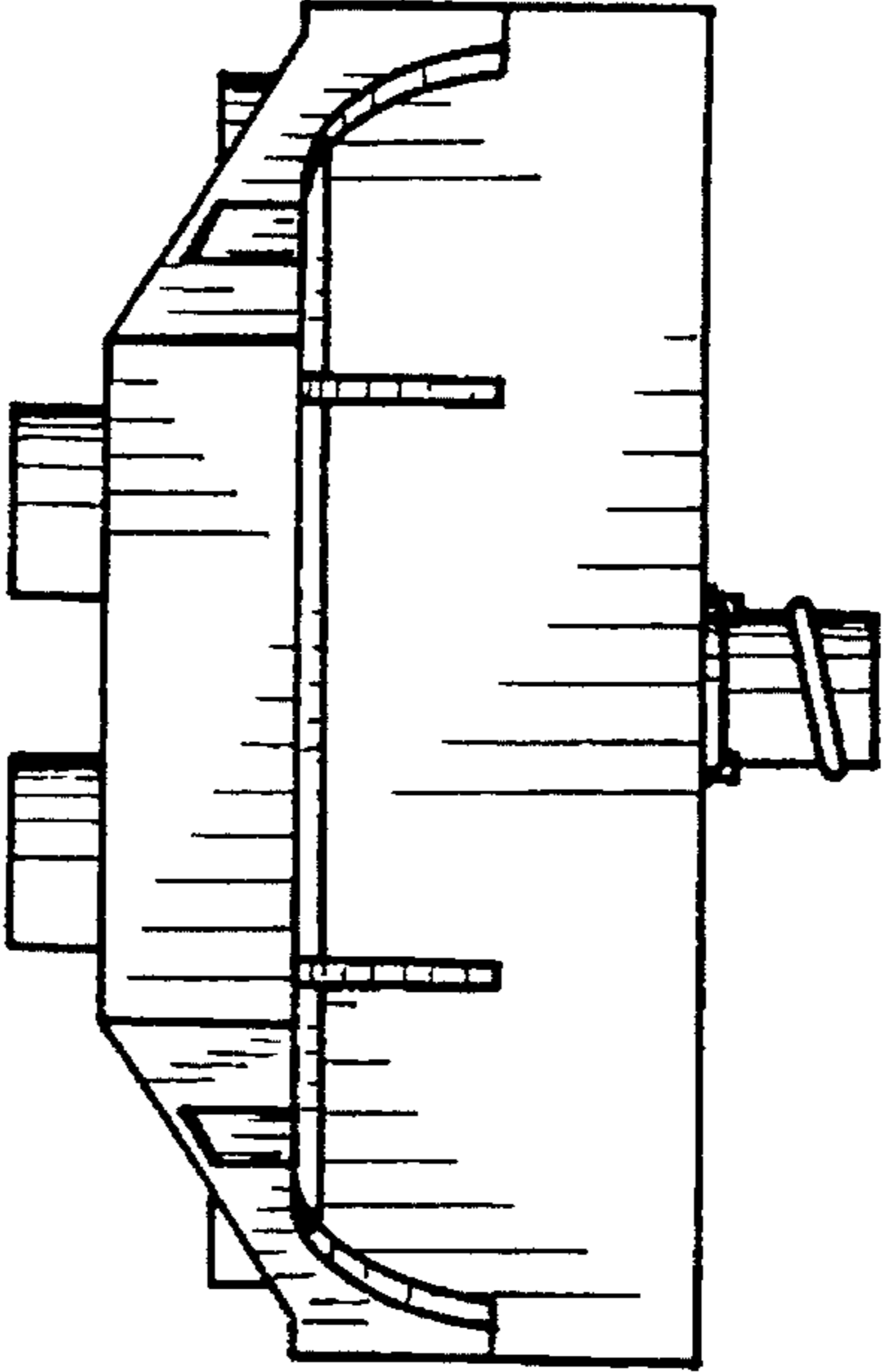


FIG. 6

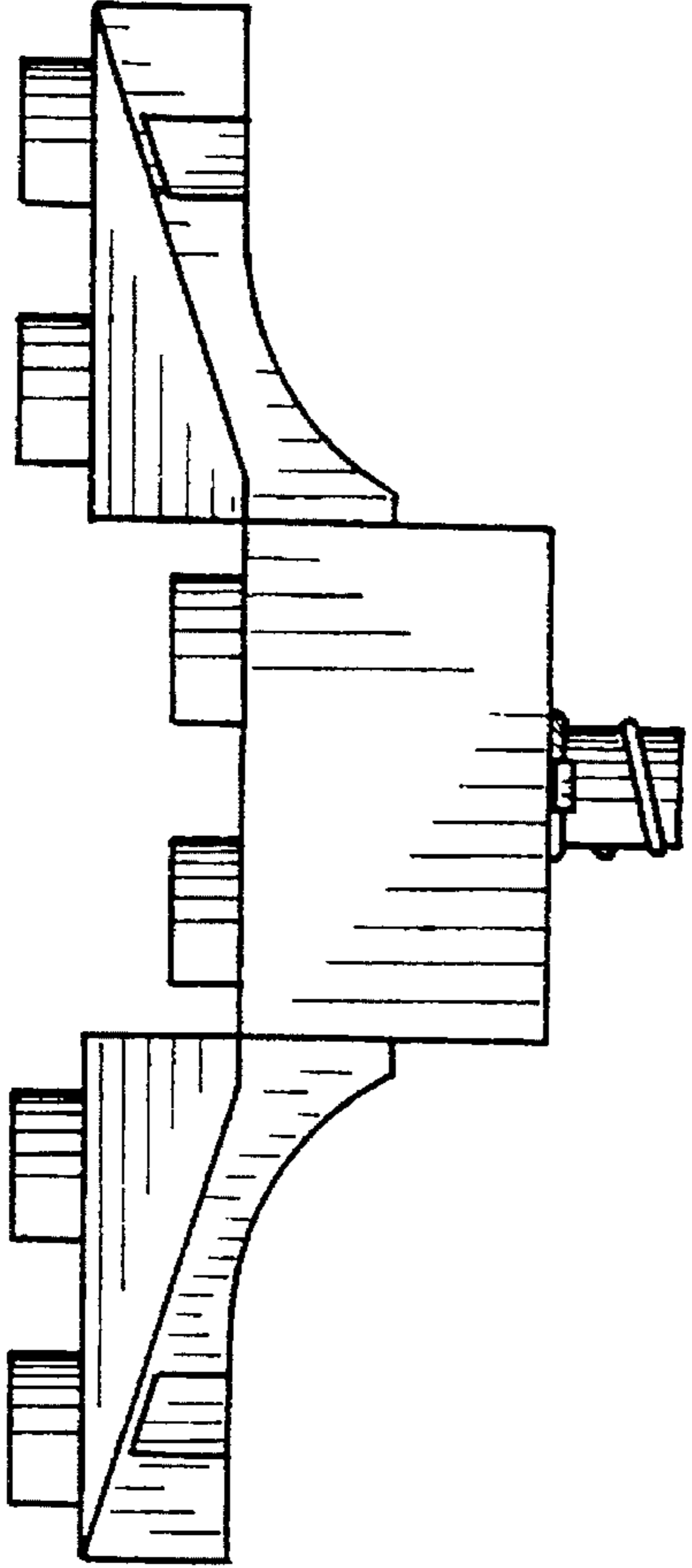


FIG. 3

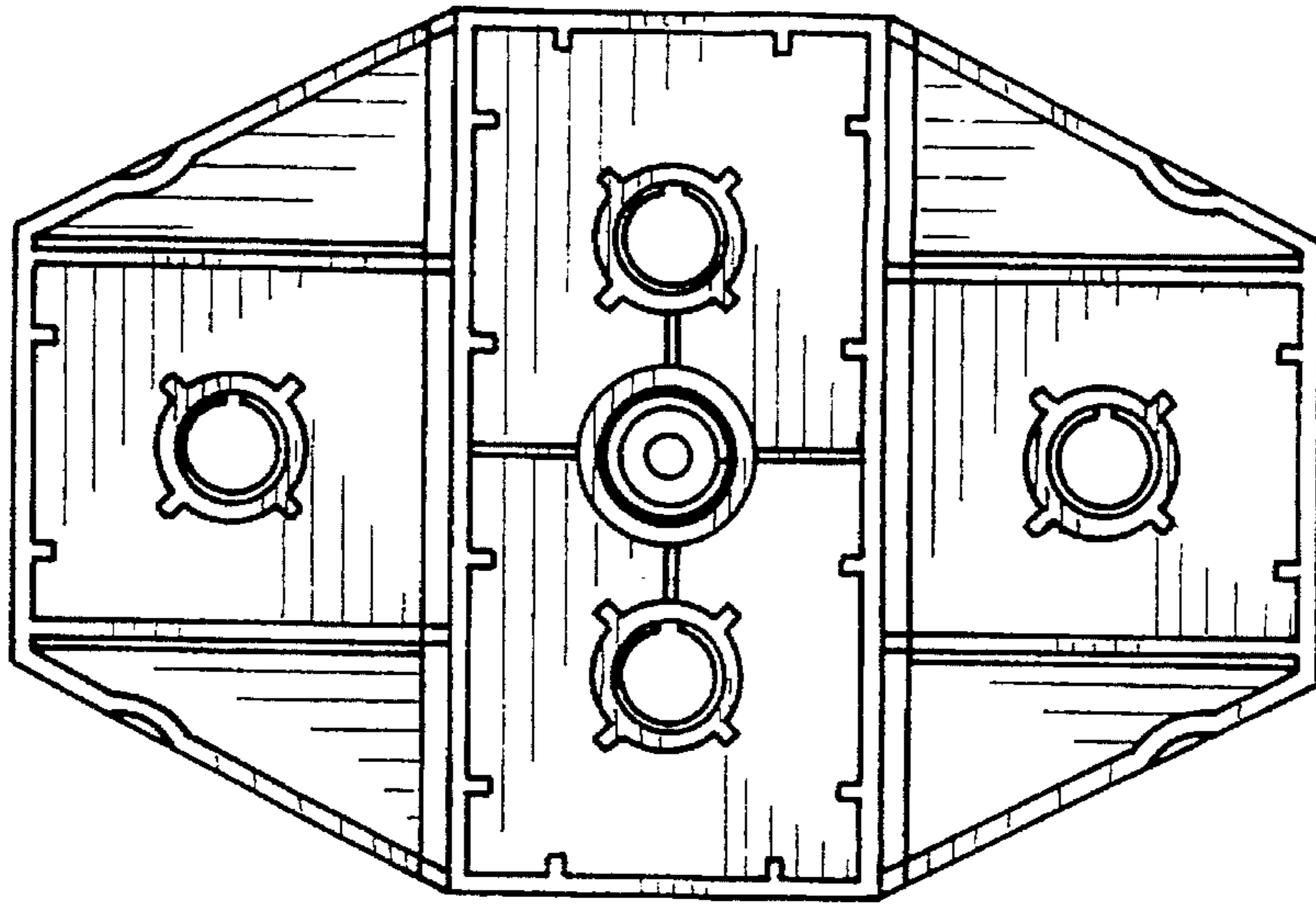


FIG. 7

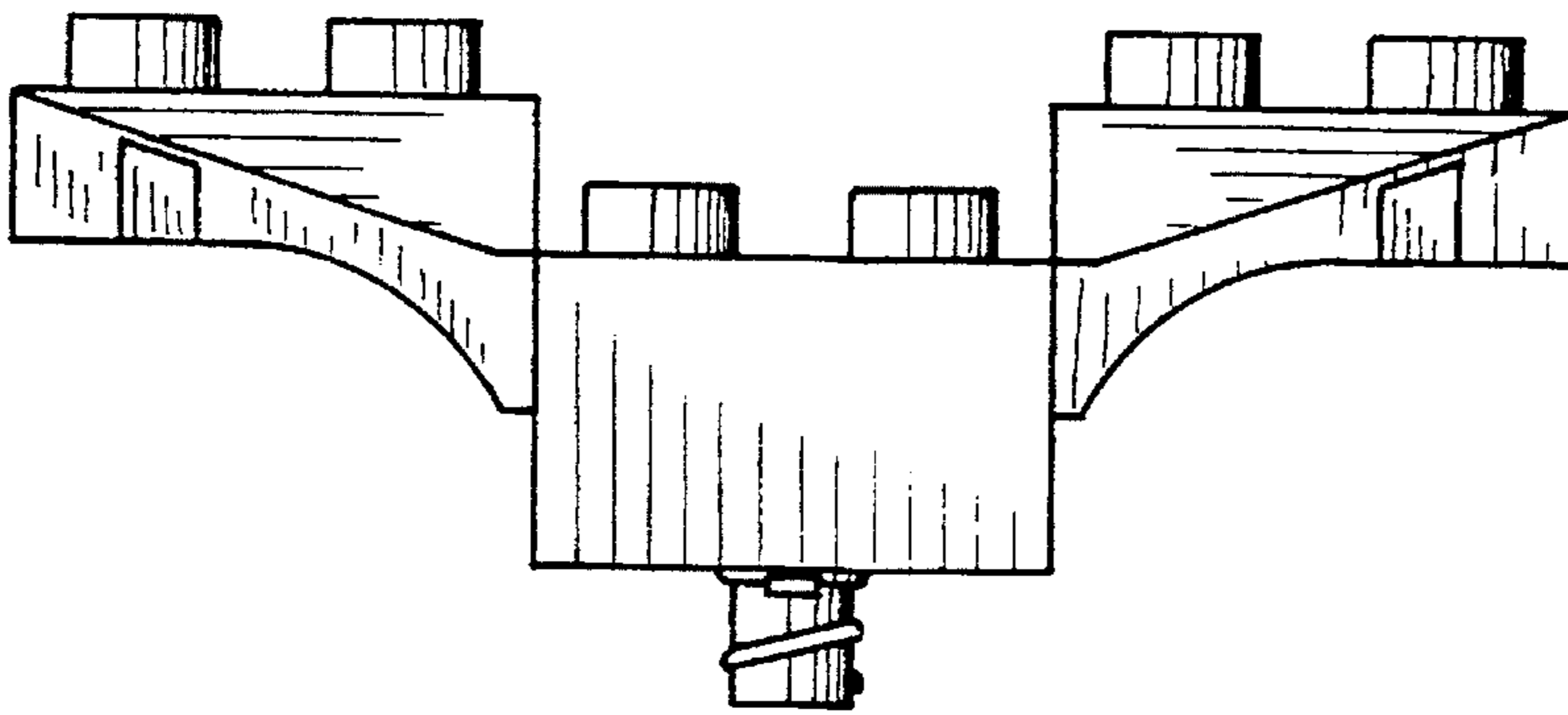


FIG. 5

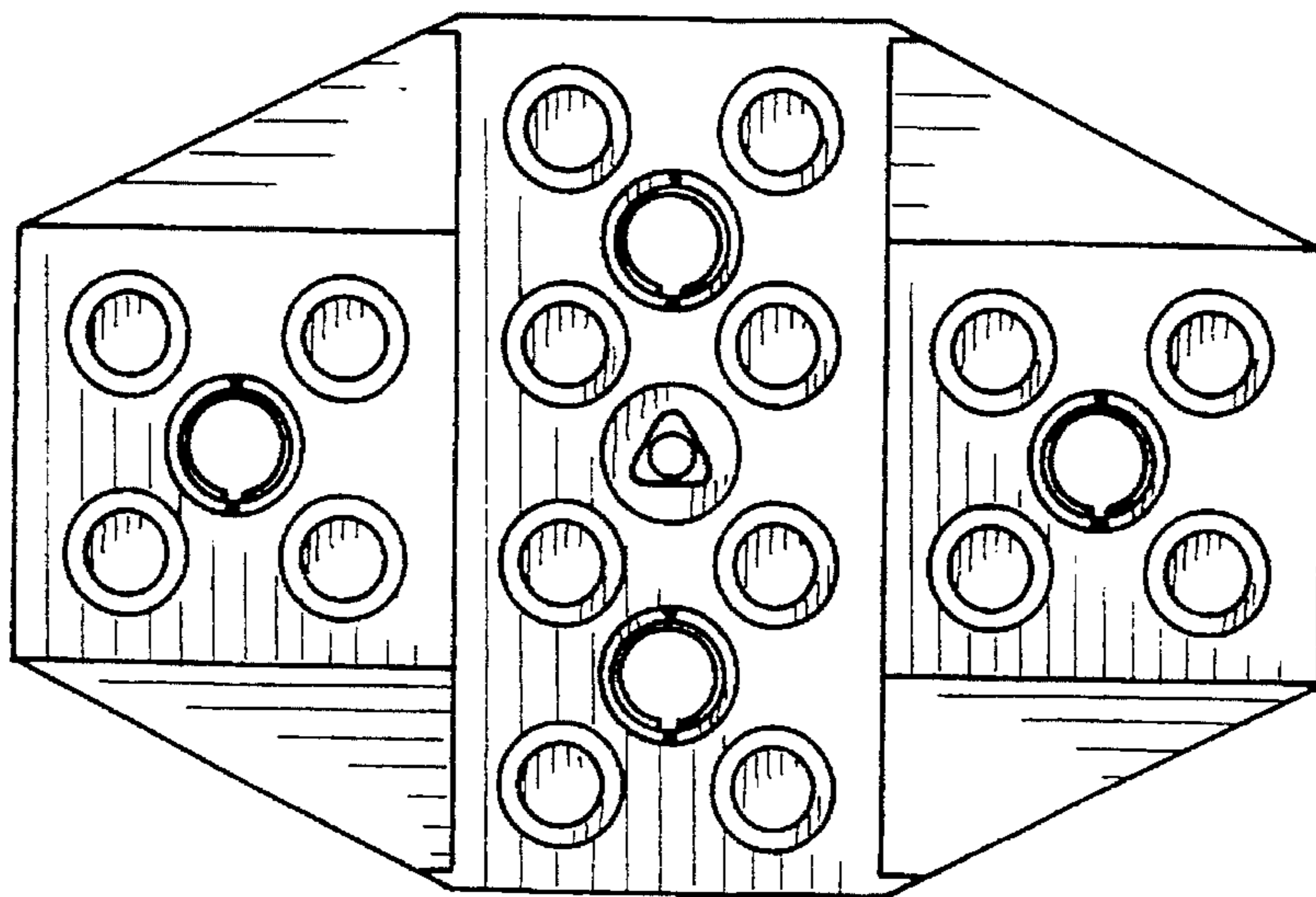


FIG. 8