



US00D371580S

United States Patent [19]
Venecia

[11] **Patent Number: Des. 371,580**

[45] **Date of Patent: **Jul. 9, 1996**

[54] **INFANT'S MUSICAL TOY**

5,258,209 11/1993 Bankert et al. .

[76] Inventor: **Gloria Venecia**, P.O. Box 135 4th St.
West King, La Joya, Tex. 78560

Primary Examiner—Dominic Simone
Attorney, Agent, or Firm—Dennis H. Lambert

[**] Term: **14 Years**

[57] **CLAIM**

[21] Appl. No.: **40,641**

The ornamental design for an the infant's musical toy, as shown and described.

[22] Filed: **Jun. 22, 1995**

DESCRIPTION

[52] U.S. Cl. **D21/64; D21/65; D17/24**

[58] Field of Search **D21/64, 65; D17/24;**
446/418, 419

FIG. 1 is a front top and side perspective view of an infant's musical toy showing my new design, the broken line disclosure shown for illustrative purposes and forms no part of the claim;

FIG. 2 is a front elevational view thereof;

FIG. 3 is a side elevational view thereof, the side opposite being a mirror image of the side shown in FIG. 3 ;

FIG. 4 is a top plan view thereof;

FIG. 5 is a bottom plan view thereof;

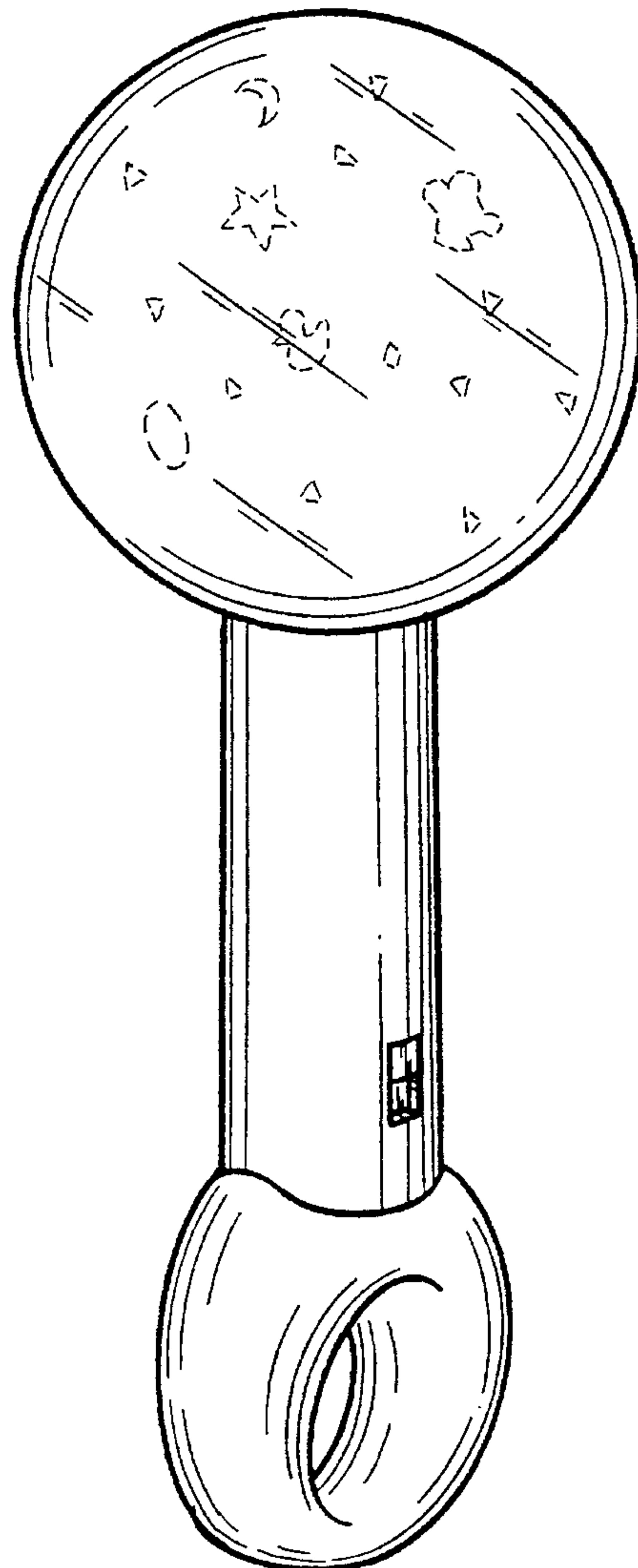
FIG. 6 is a rear elevation view thereof.

[56] **References Cited**

U.S. PATENT DOCUMENTS

D. 162,947	4/1951	Goodman	D21/65
D. 254,795	4/1980	Chase et al.	D21/65
D. 342,754	12/1993	Witt	D17/24
1,171,229	2/1916	Morse	446/419
2,399,333	4/1946	Desmoad	446/419
2,549,392	4/1951	Sheridan .	
3,464,151	9/1969	Motley	446/419

1 Claim, 4 Drawing Sheets



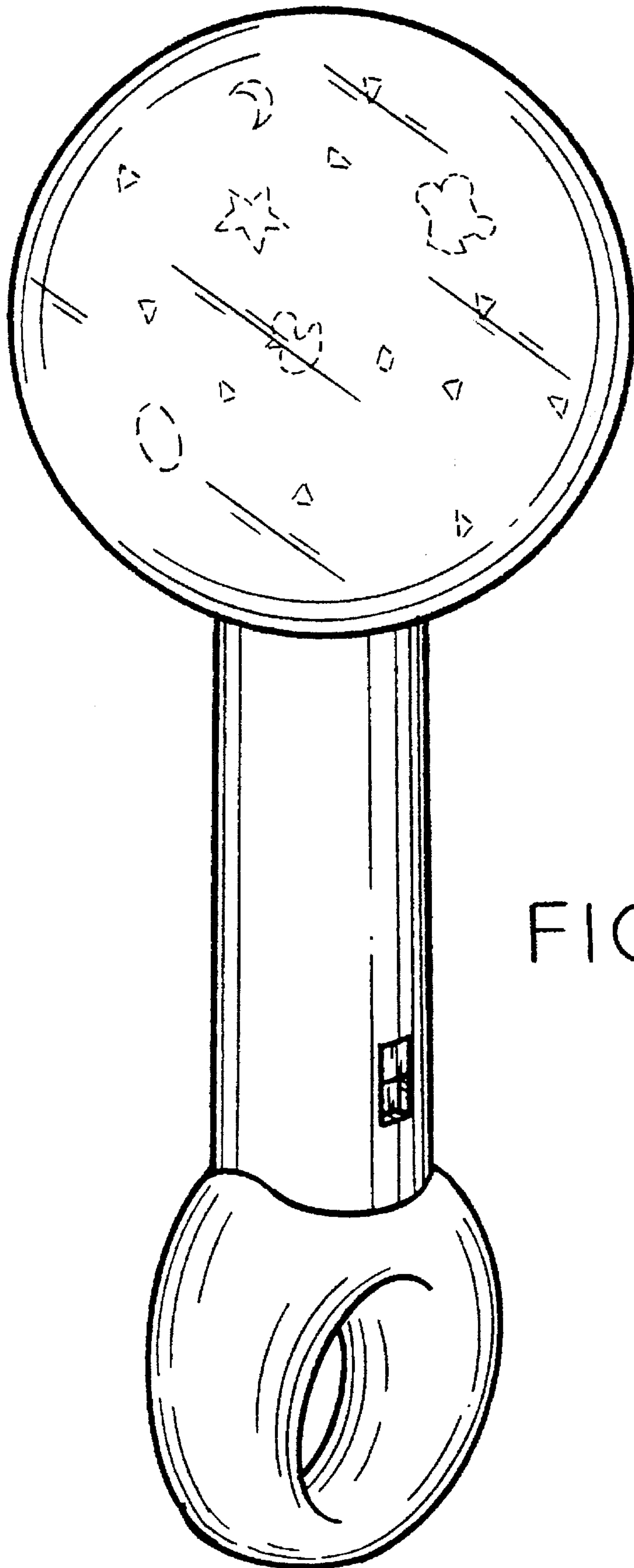


FIG. 1.

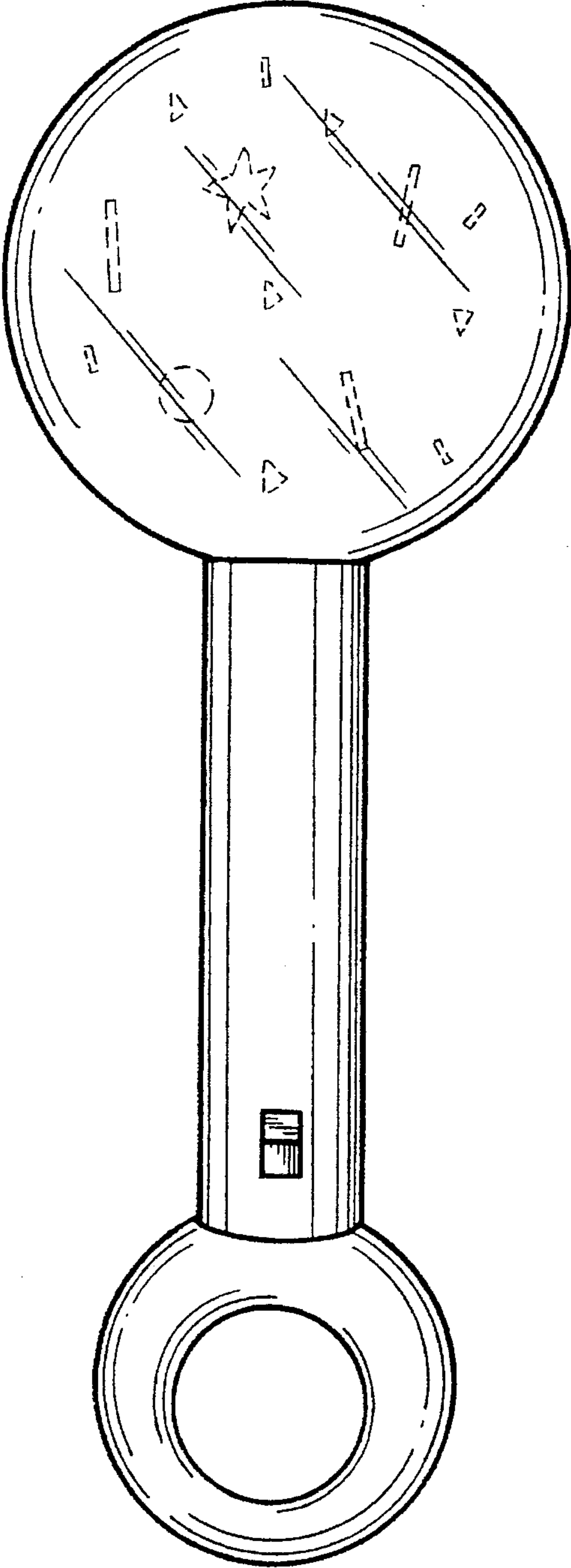


FIG. 2.

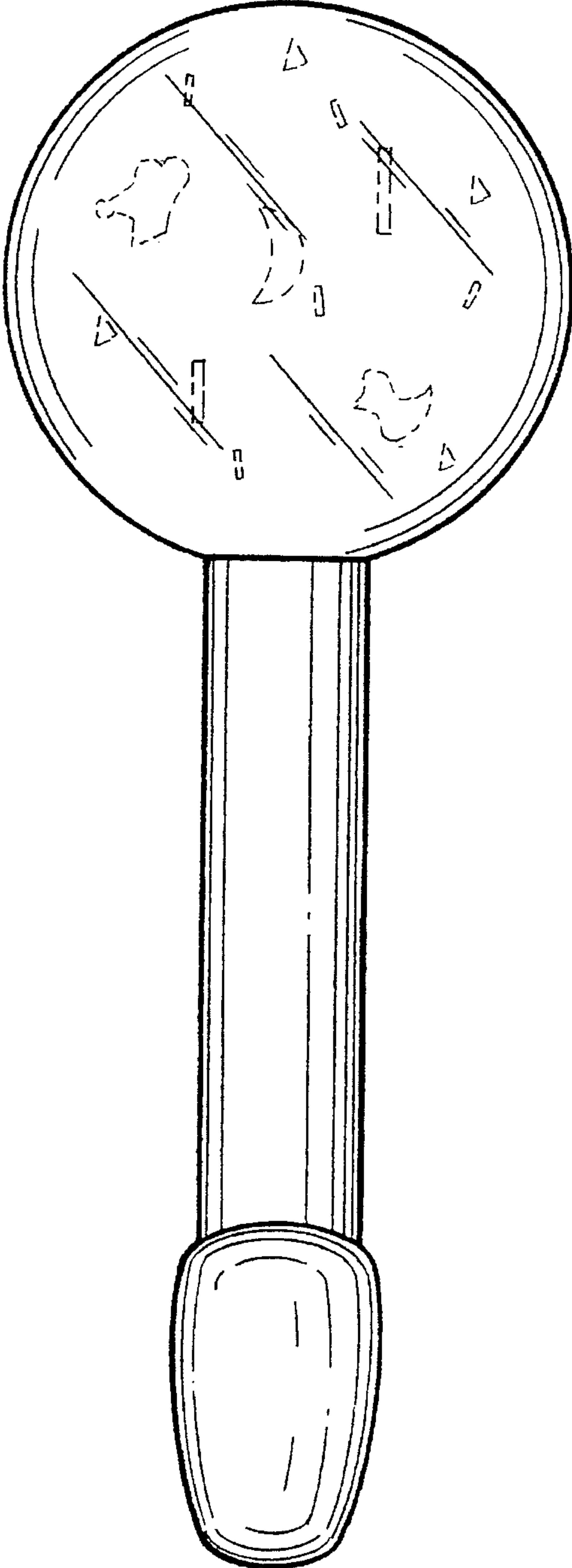


FIG. 3.

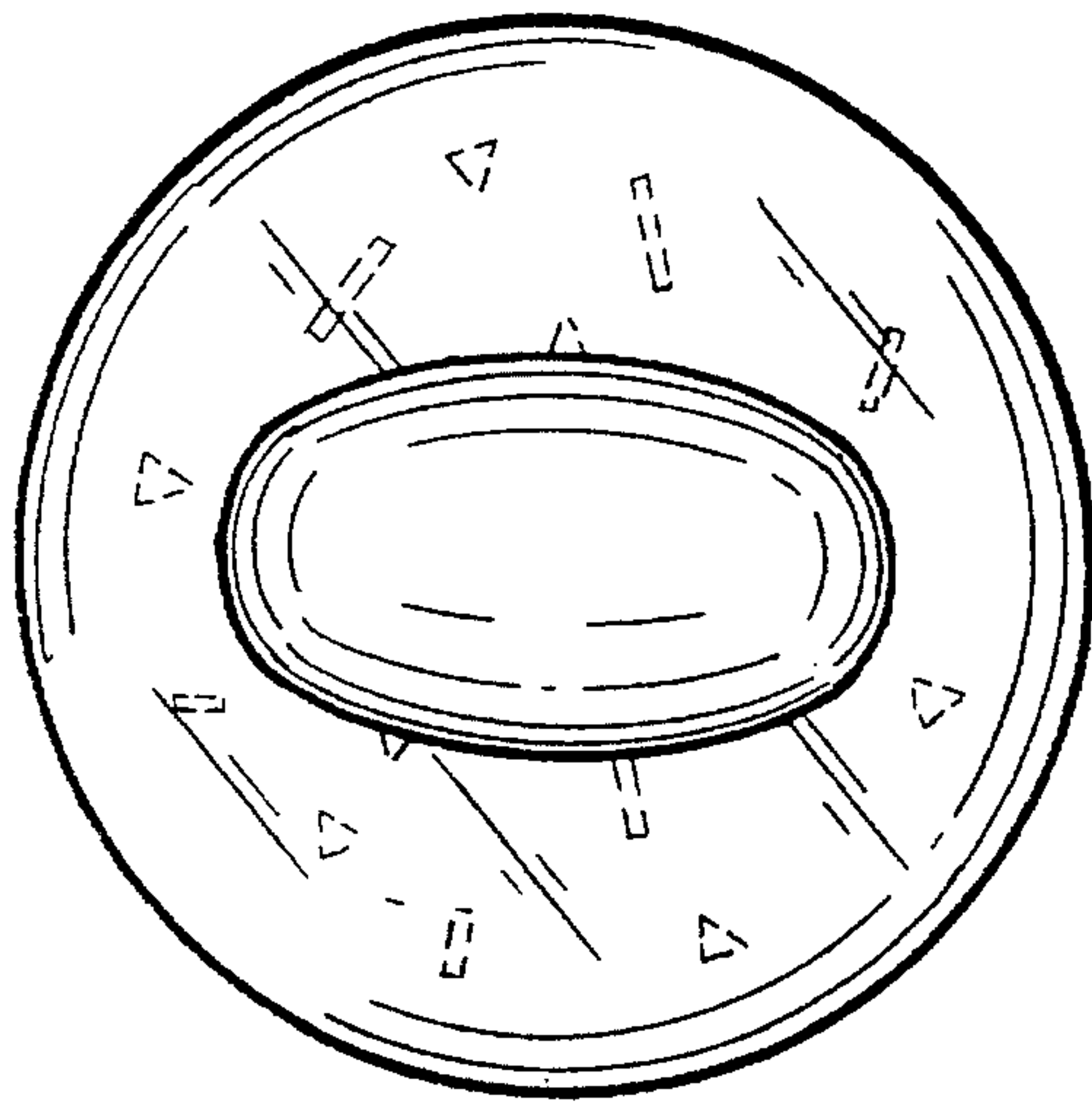


FIG. 5.

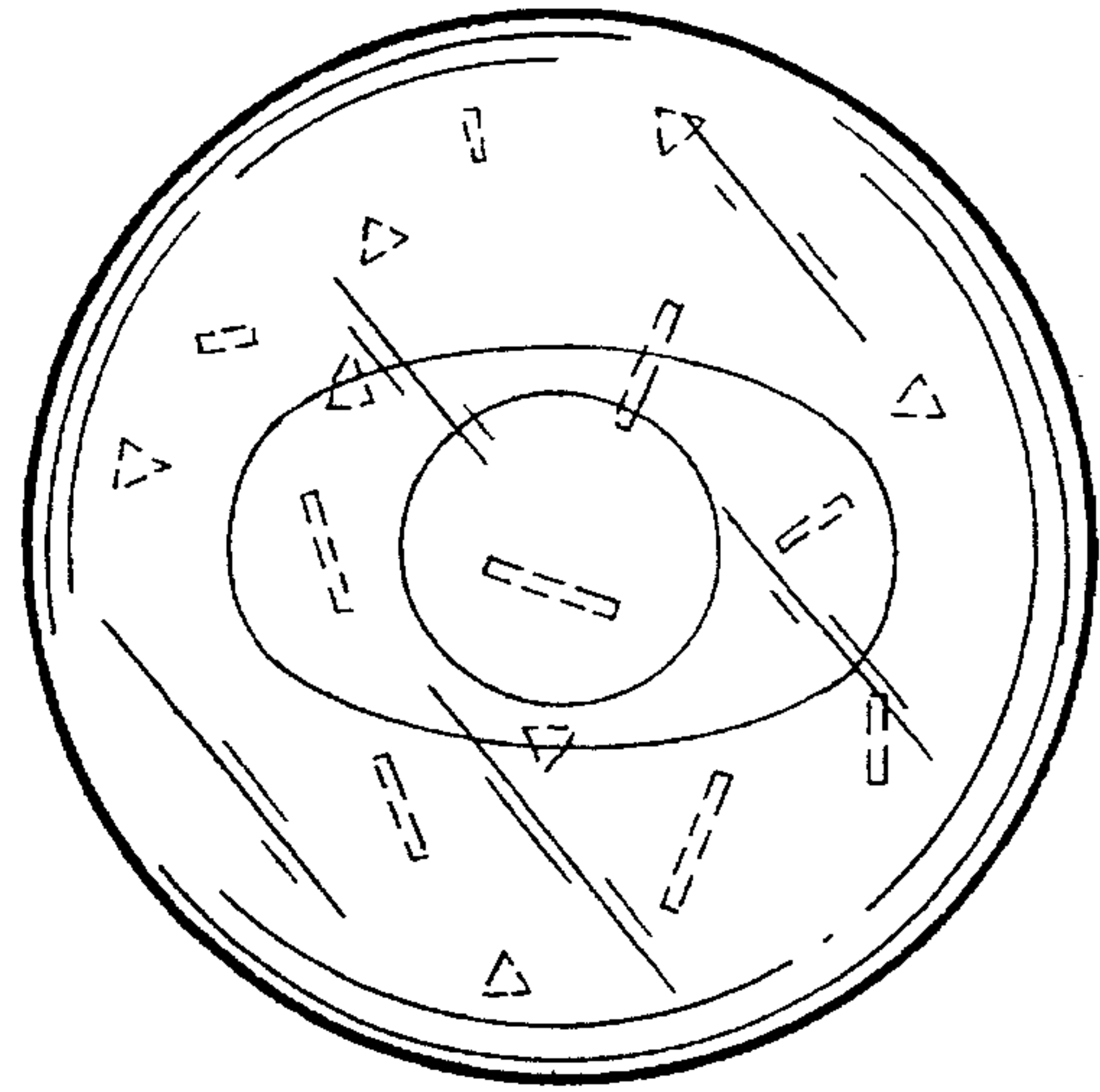


FIG. 4.

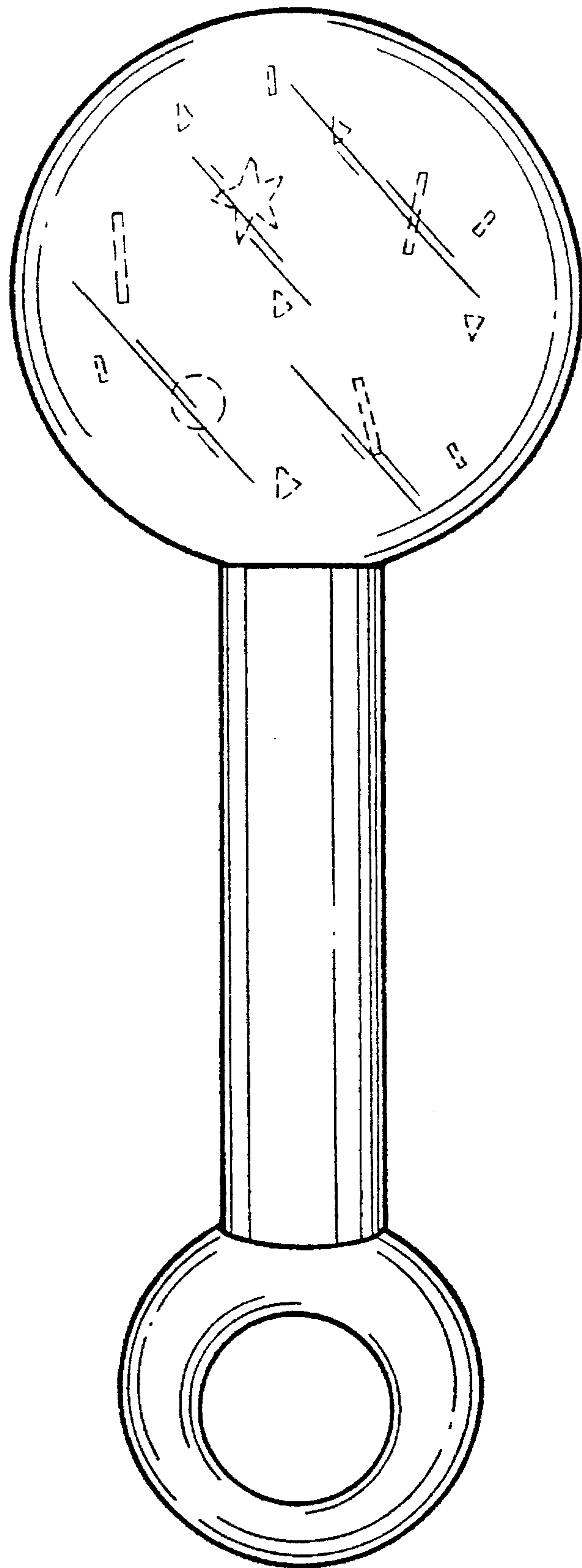


FIG. 6.