



US00D371579S

United States Patent [19]

[11] Patent Number: **Des. 371,579**

Hanscom

[45] Date of Patent: ****Jul. 9, 1996**

[54] VIDEO CRAPS TABLE WITH A PROGRESSIVE FEATURE

[75] Inventor: **Cory J. Hanscom**, New Hope, Minn.

[73] Assignee: **Innovative Gaming Corporation of America**, Plymouth, Minn.

[**] Term: **14 Years**

[21] Appl. No.: **28,793**

[22] Filed: **Sep. 22, 1994**

[52] U.S. Cl. **D21/37**

[58] Field of Search **D21/37; 273/85 R, 273/86 B, 138 R**

[56] References Cited

U.S. PATENT DOCUMENTS

D. 251,395	3/1979	Kula	D21/37
D. 276,630	12/1984	Gimbel	D21/37
D. 364,650	11/1995	Hanscom	D21/37
3,940,138	2/1976	Ochi	273/86 B
4,614,342	9/1986	Takashima	273/85 CP
4,836,553	6/1989	Suttle et al.	273/292
5,098,107	3/1992	Boylan et al.	273/292
5,263,715	11/1993	Matsumoto et al.	273/138 A

OTHER PUBLICATIONS

Exhibit A (Photograph of a gaming table identified by the designation (LIVE VIDEO BLACKJACK) no date supplied.

Primary Examiner—Dominic Simone
Assistant Examiner—Mitchell Siegel
Attorney, Agent, or Firm—Merchant, Gould Smith, Edell, Welter & Schmidt

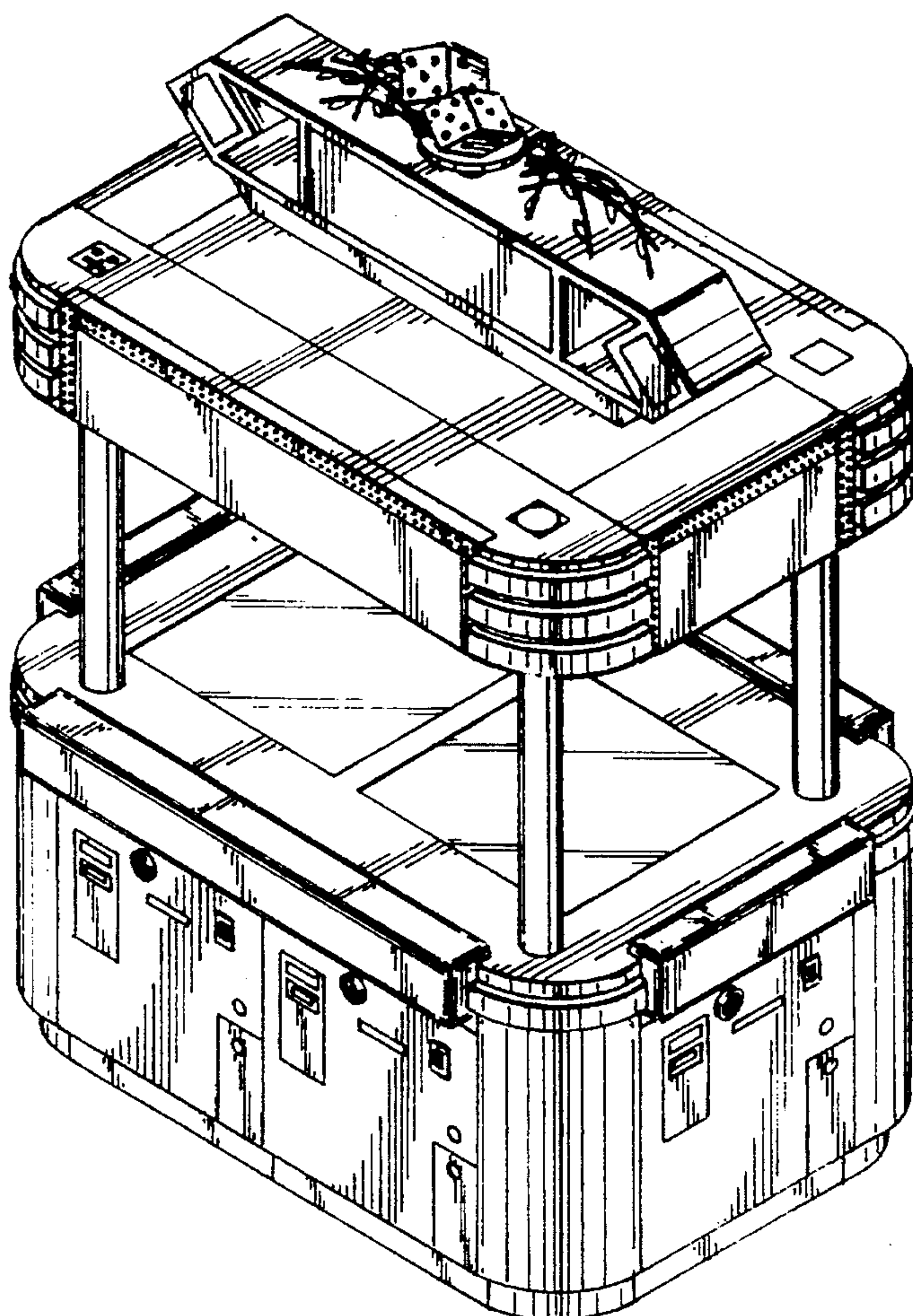
[57] CLAIM

The ornamental design for a video craps table with a progressive feature, as shown and described.

DESCRIPTION

FIG. 1 is a perspective view of the video craps table with a progressive feature;
FIG. 2 is a front elevation view of the invention of FIG. 1, with the rear elevation view being a mirror image thereof;
FIG. 3 is a side elevation view of the invention shown in FIG. 1, with the opposing side elevational view being a mirror image thereof; and,
FIG. 4 is a top plan view of the invention of FIG. 1.

1 Claim, 3 Drawing Sheets



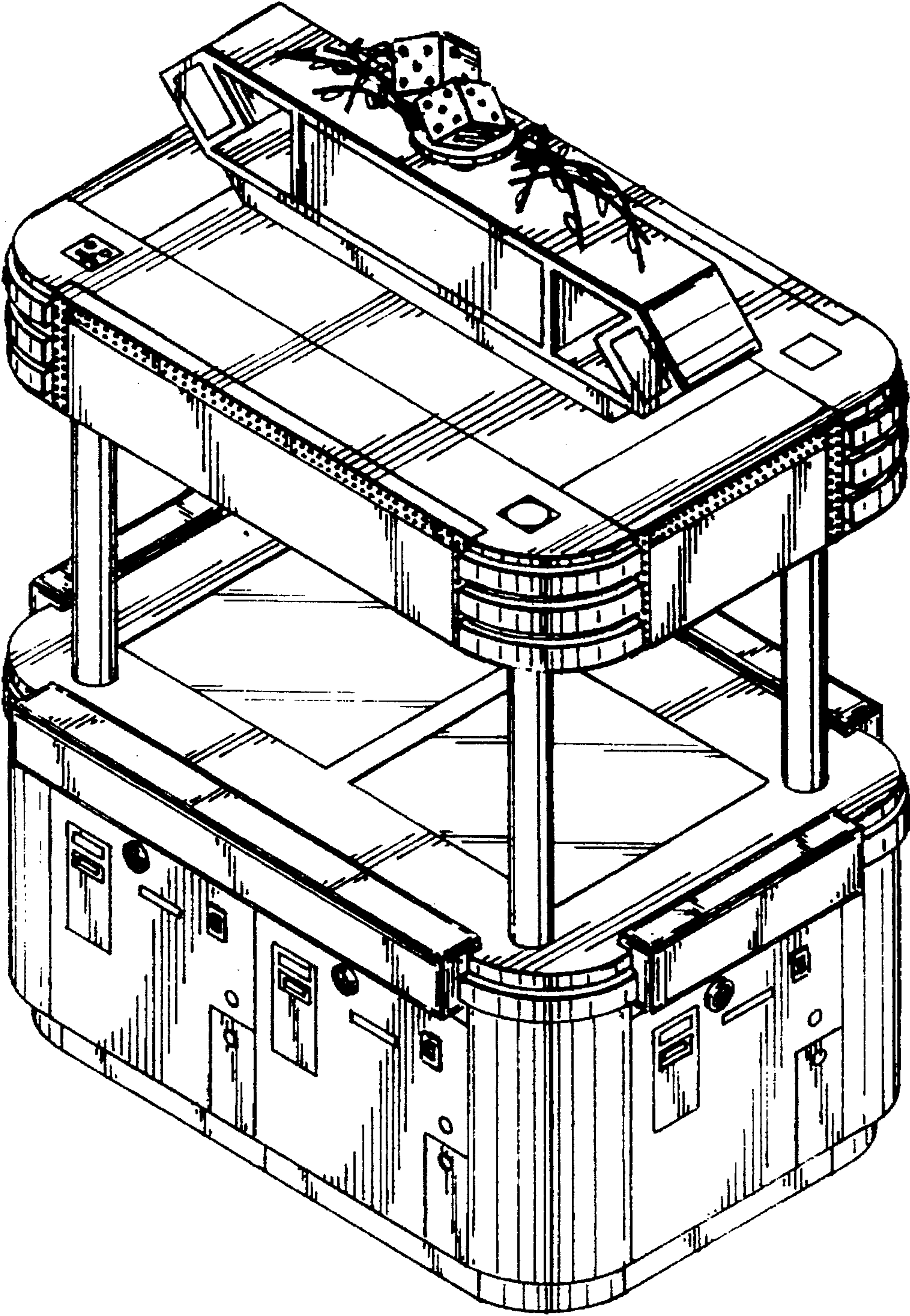


FIG. 1

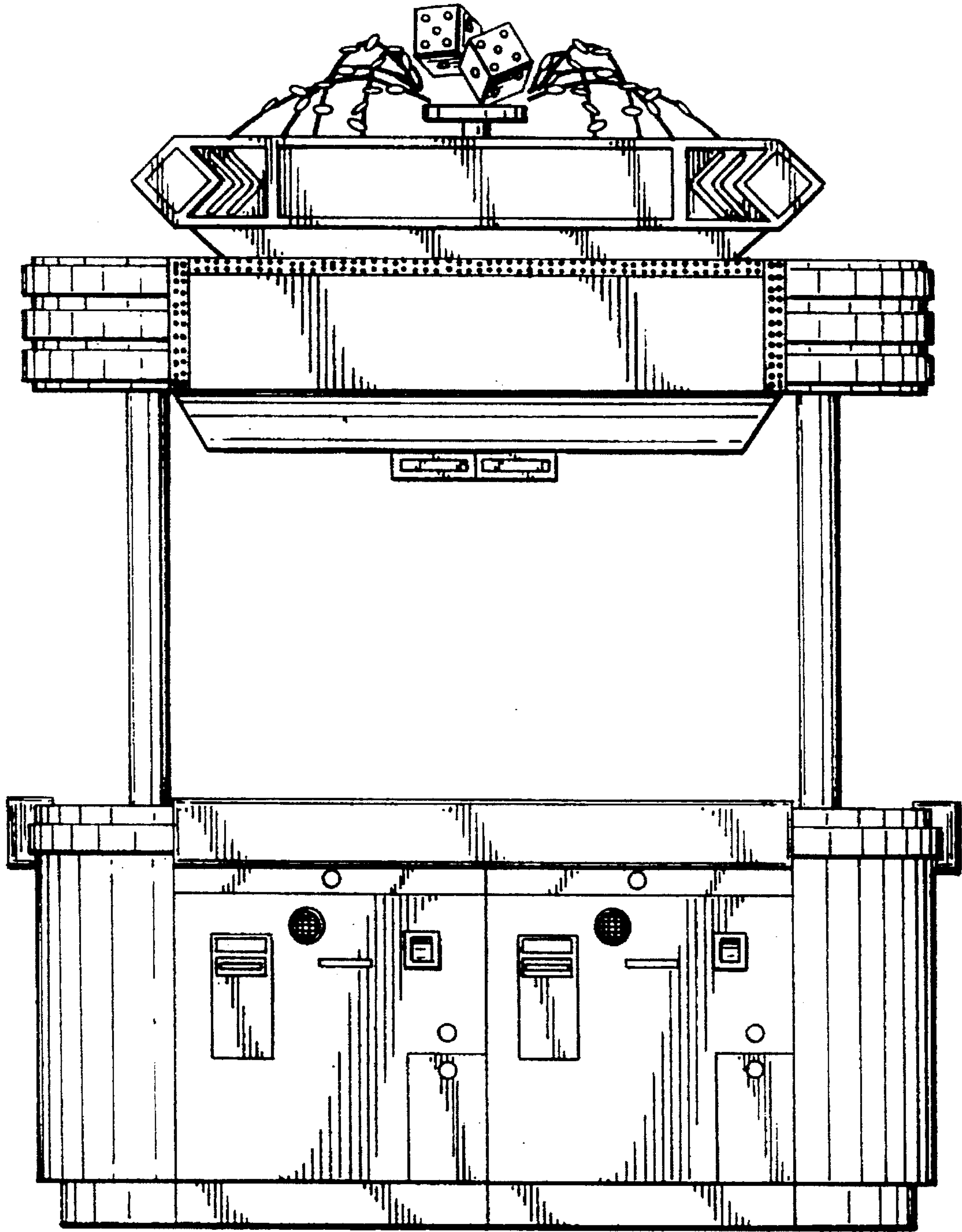


FIG. 2

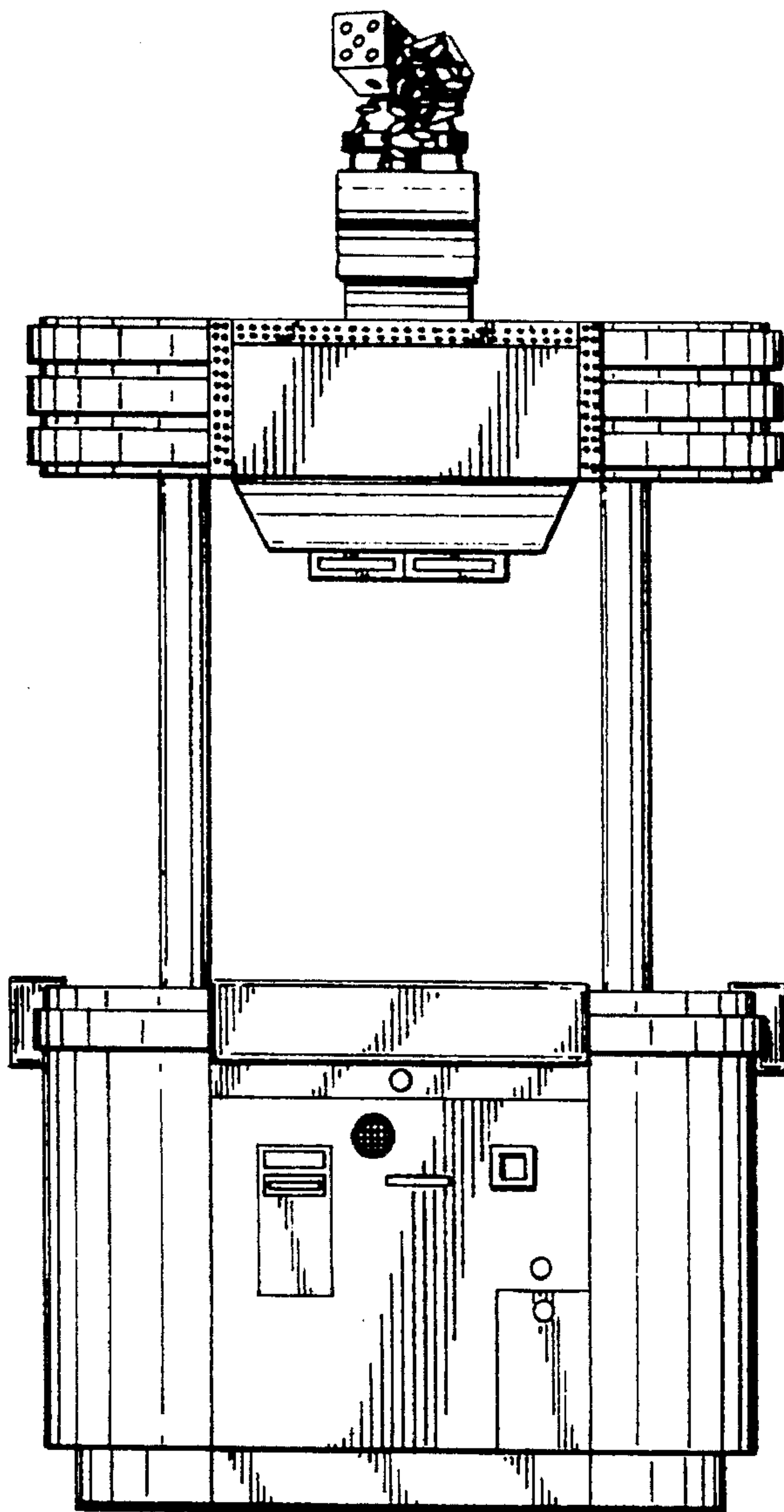


FIG. 3

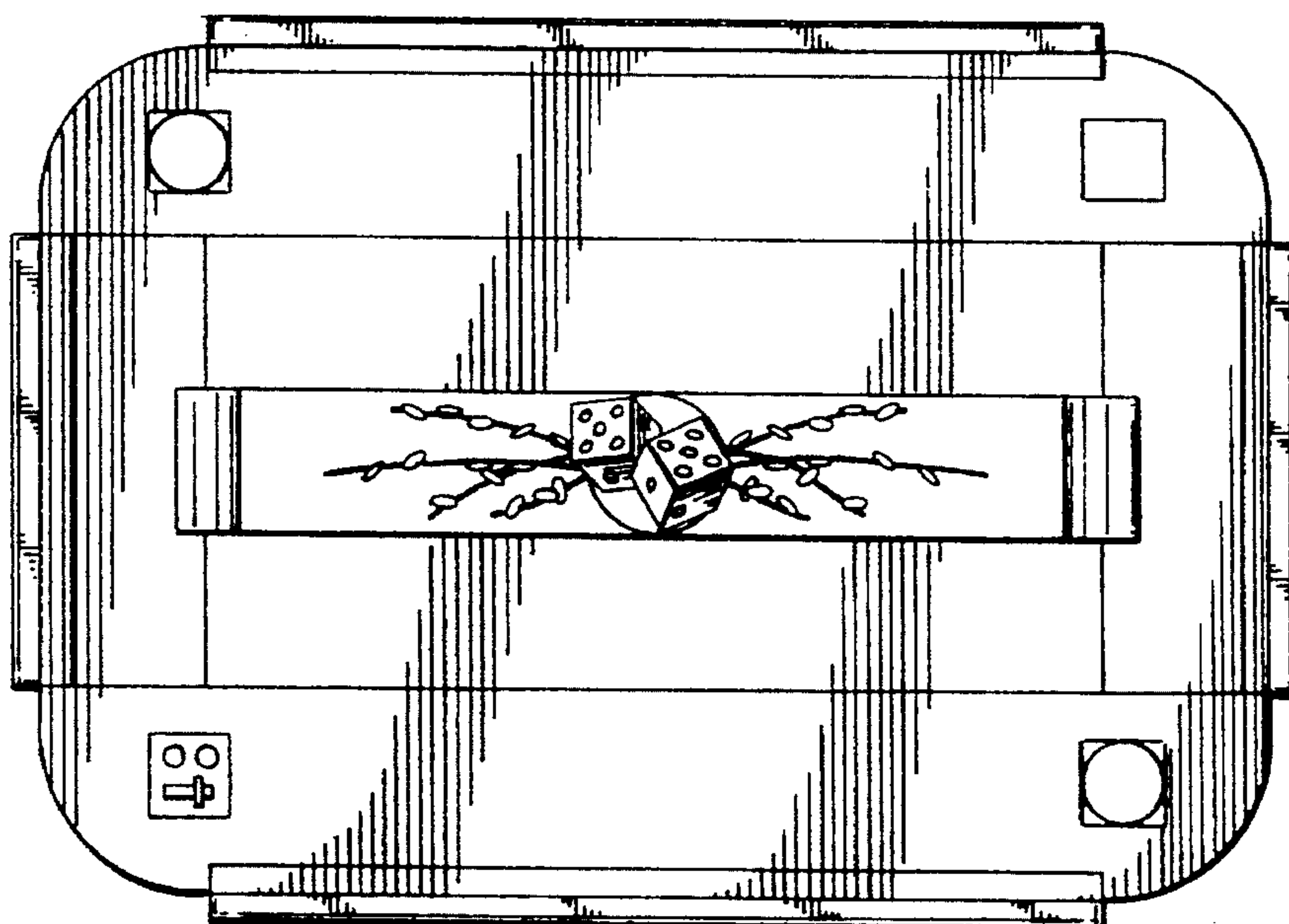


FIG. 4