



US00D371571S

United States Patent [19]

Gobbo et al.

[11] Patent Number: **Des. 371,571**

[45] Date of Patent: ****Jul. 9, 1996**

[54] TYPEWRITER

[75] Inventors: **Sergio Gobbo**, Izola; **Dragica Samsa**, Hirska Bistrica, both of Slovenia

[73] Assignee: **MEHANO, proizvodnja in prodaja igrač, pisarniških potrebsčin, kovinskih in plastičnih izdelkov, d.o.o.**

[**] Term: **14 Years**

[21] Appl. No.: **31,189**

[22] Filed: **Nov. 10, 1994**

[30] Foreign Application Priority Data

May 13, 1994 [SI] Slovenia M-9450074

[52] U.S. Cl. **D18/1**

[58] Field of Search D18/1; D14/106; 400/689-694

[56] References Cited

U.S. PATENT DOCUMENTS

D. 278,721 5/1985 Funato et al. D18/1

D. 310,680 9/1990 Bratasevec D18/1
D. 310,681 9/1990 Bratasevec D18/1
D. 319,046 8/1991 Kapec et al. D18/1 X

Primary Examiner—Nelson C. Holtje
Assistant Examiner—S. Snapp
Attorney, Agent, or Firm—Pollock, Vande Sande & Priddy

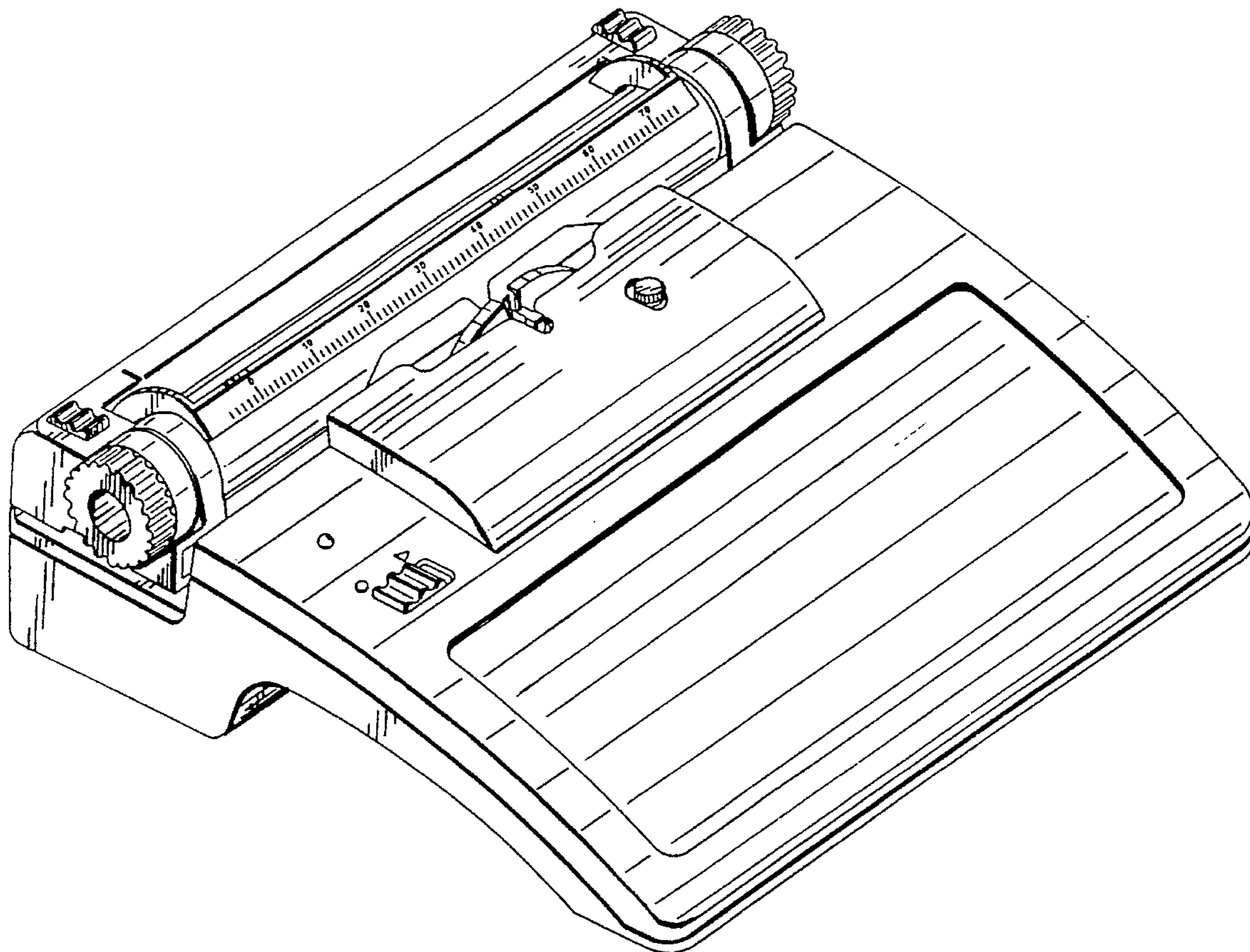
[57] CLAIM

The ornamental design for a typewriter, as shown and described.

DESCRIPTION

FIG. 1 is a top perspective view of a typewriter showing our new design;
FIG. 2 is a top view thereof;
FIG. 3 is a left side view thereof;
FIG. 4 is a right side view thereof;
FIG. 5 is a front view thereof;
FIG. 6 is a rear side view thereof; and,
FIG. 7 is a bottom view thereof.

1 Claim, 3 Drawing Sheets



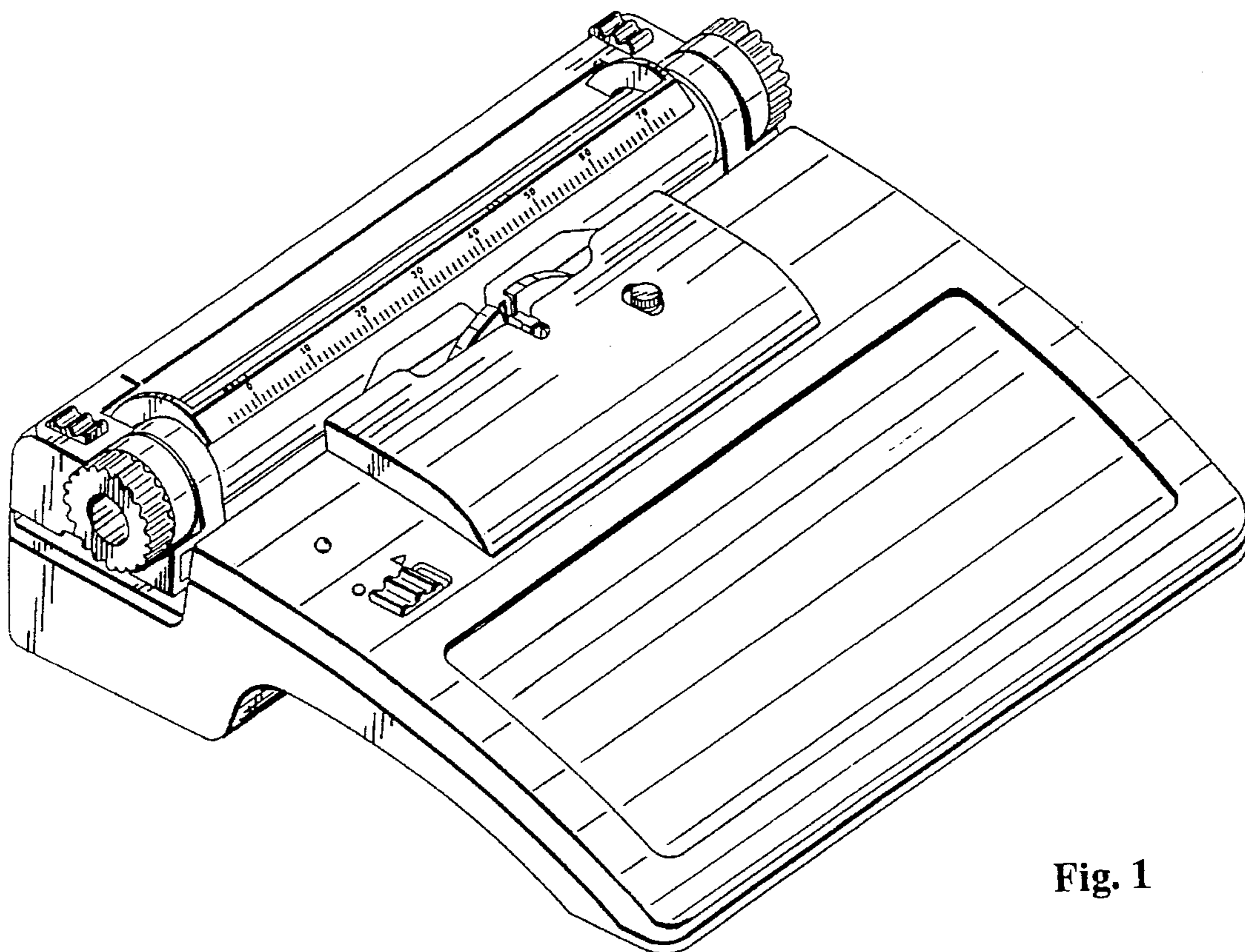


Fig. 1

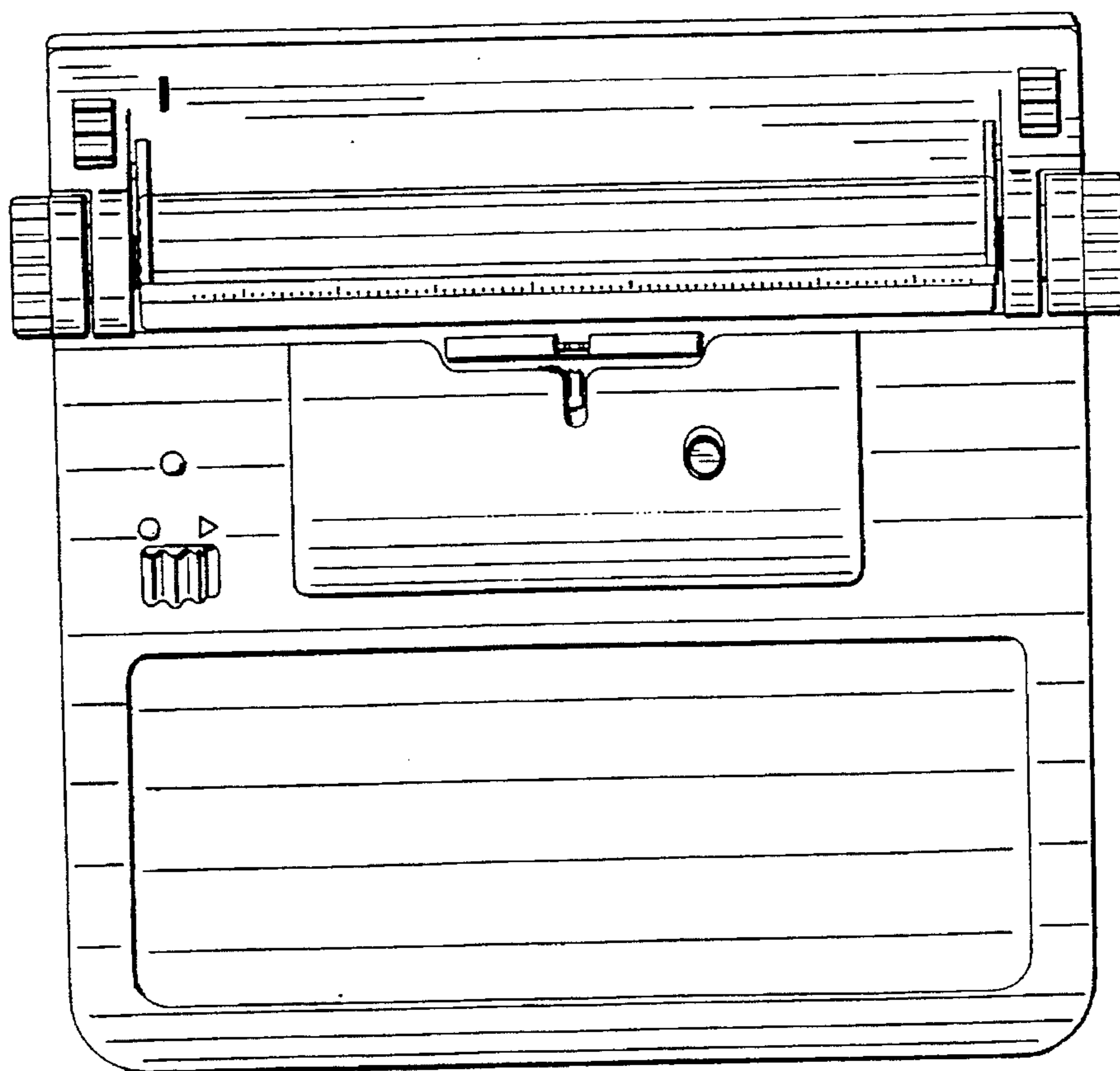


Fig. 2

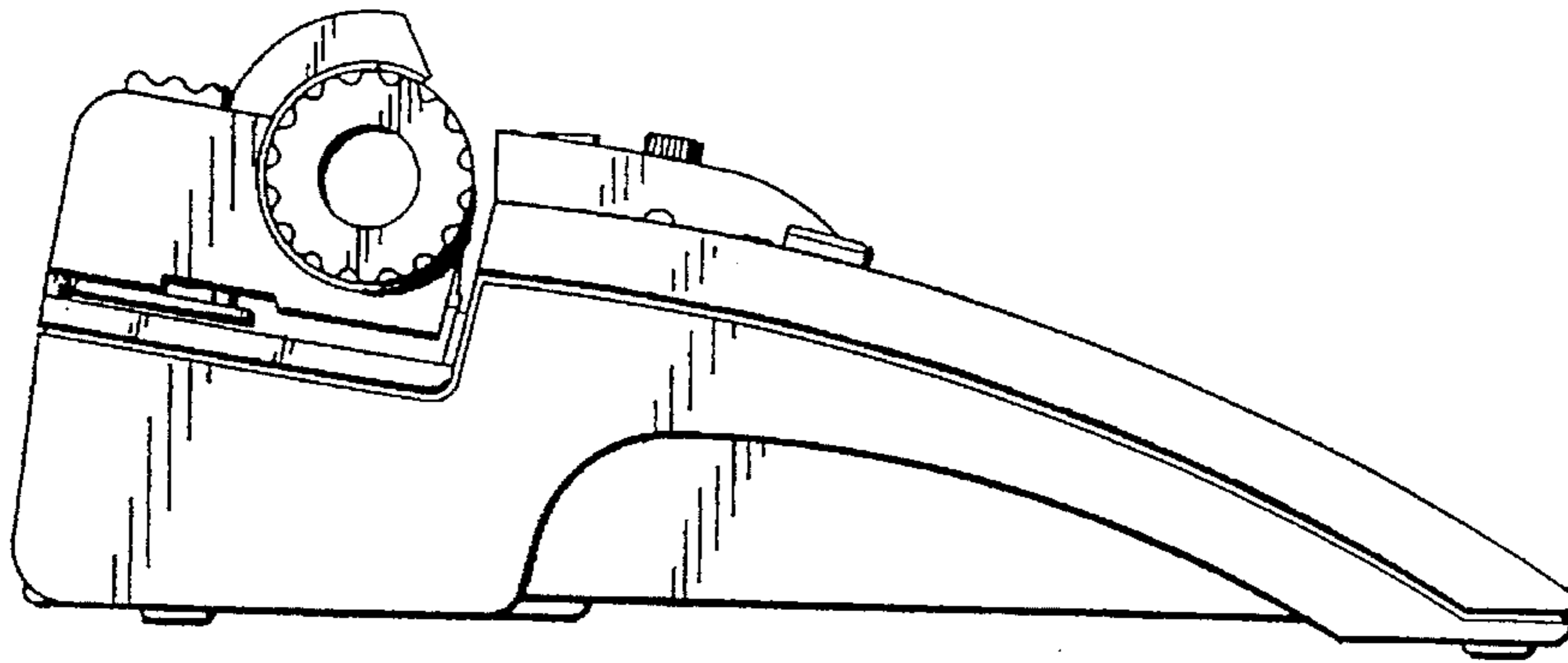


Fig. 3

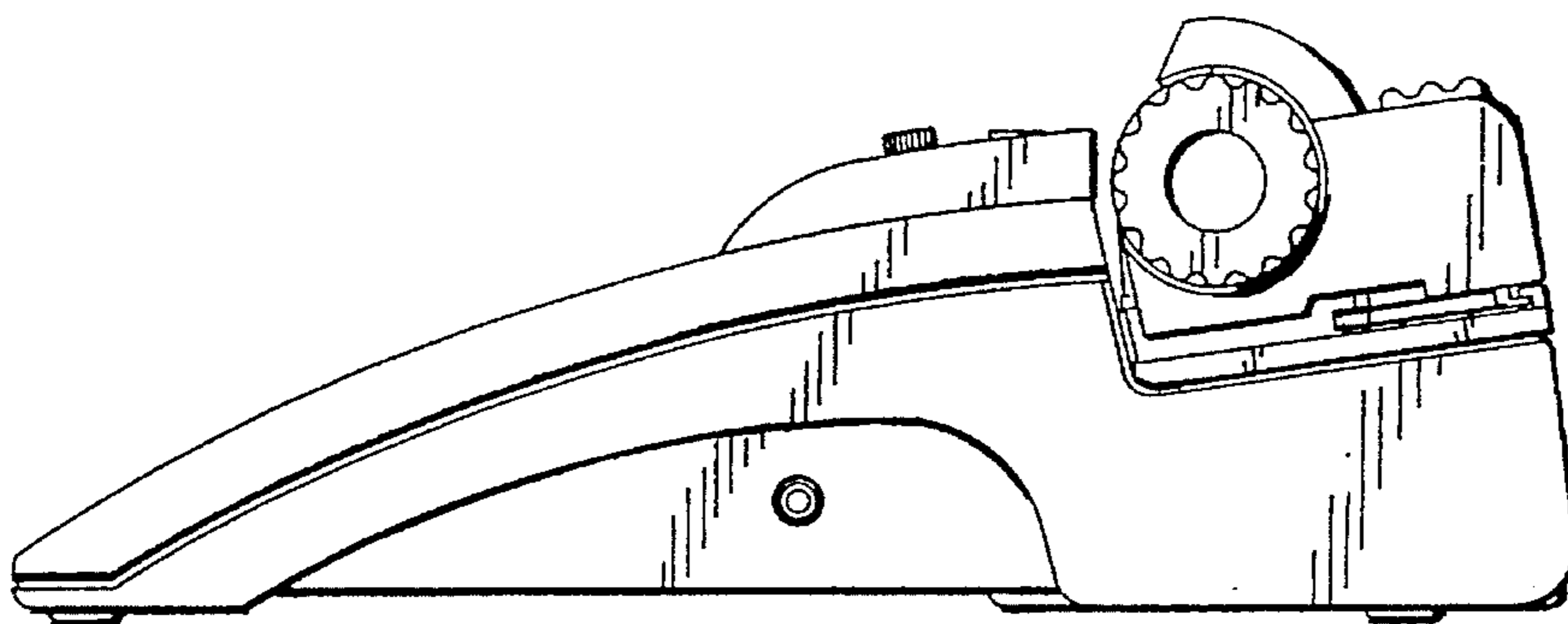


Fig. 4

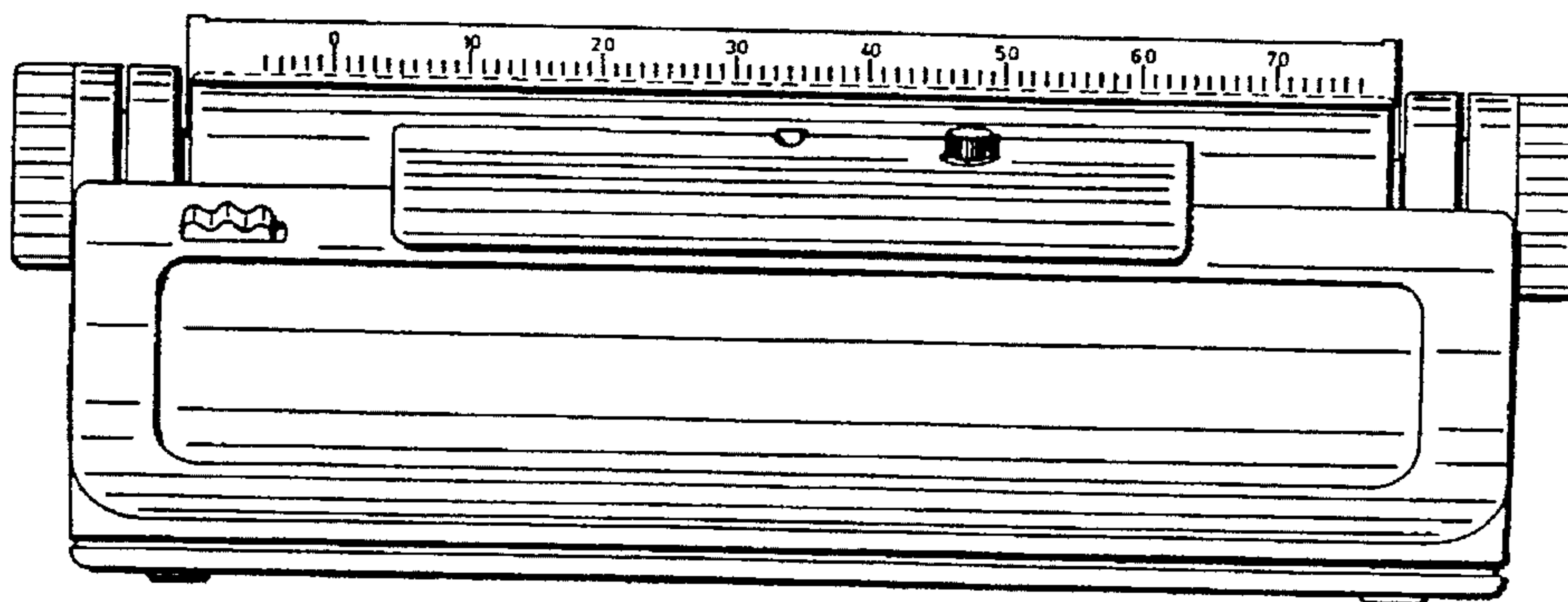


Fig. 5

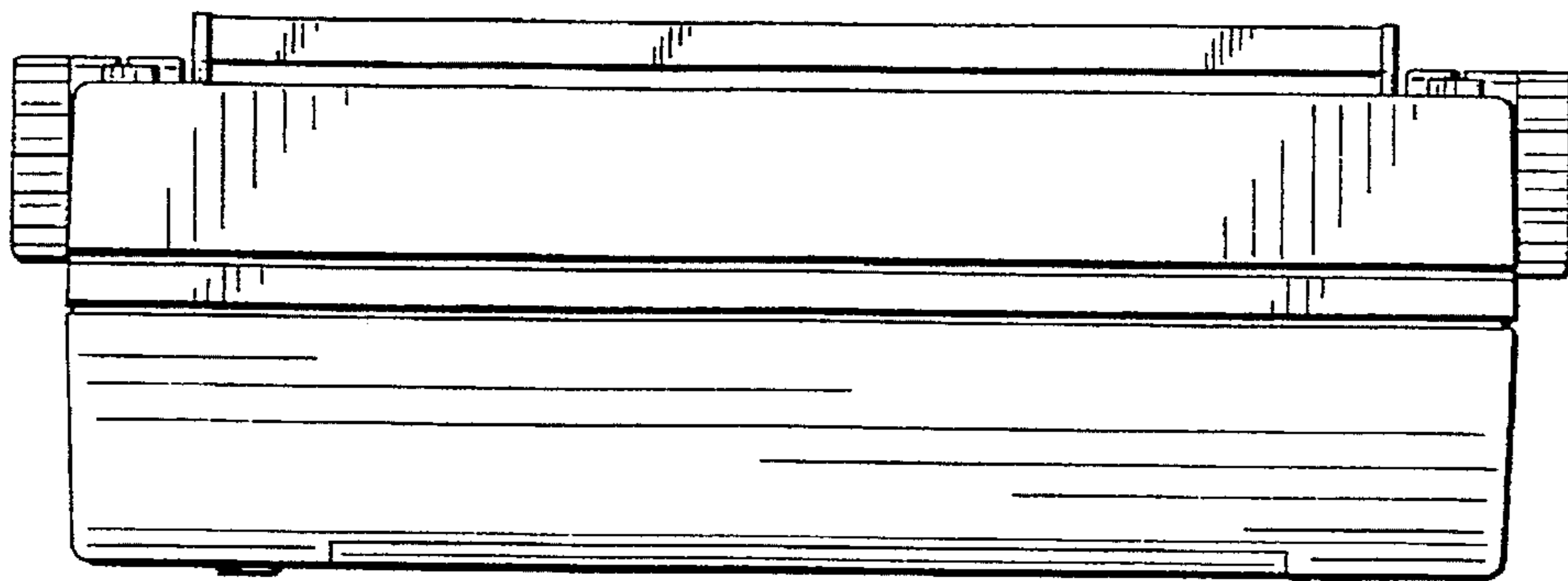


Fig. 6

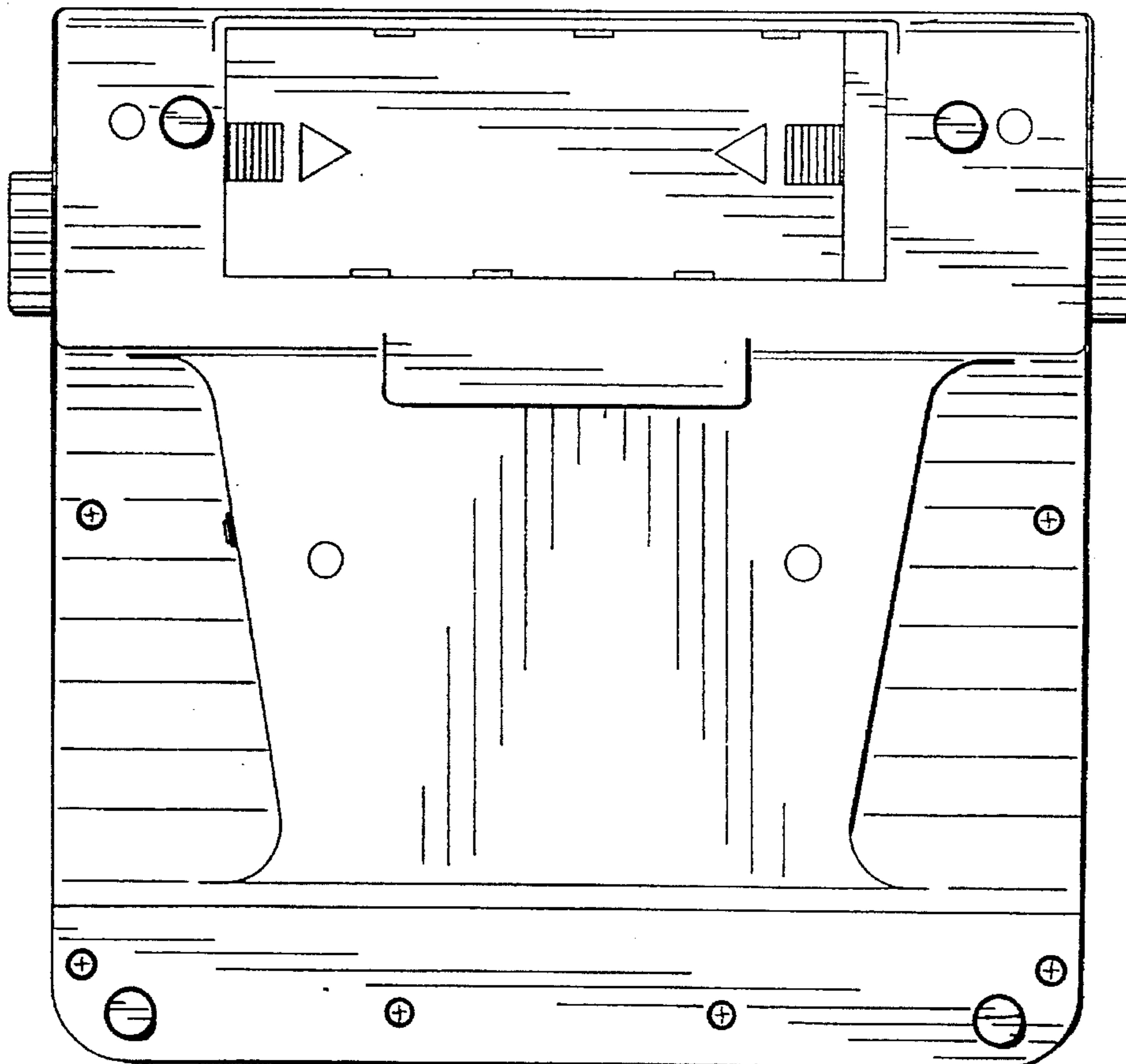


Fig. 7

UNITED STATES PATENT AND TRADEMARK OFFICE
CERTIFICATE OF CORRECTION

PATENT NO. : Des. 371,571
DATED : July 9, 1996
INVENTOR(S) : Gobbo et al.

It is certified that error appears in the above-identified patent and that said Letters Patent is hereby corrected as shown below:

TITLE PAGE:

Please correct

" [75] Inventors: Sergio Gobbo, Izola; Dragica Samsa,
Hirska Bistrica, both of Slovenia "

to read:

-- [75] Inventors: Sergio Gobbo, Izola; Dragica Samsa,
Ilirska Bistrica, both of Slovenia ---

Signed and Sealed this
Eighth Day of July, 1997



Attest:

BRUCE LEHMAN

Attesting Officer

Commissioner of Patents and Trademarks