



US00D371570S

**United States Patent** [19]

[11] **Patent Number: Des. 371,570**

**Hong et al.**

[45] **Date of Patent: \*\*Jul. 9, 1996**

[54] **WORD PROCESSOR**

[75] Inventors: **Hyunsoo Hong; Yuzo Fukunaga**, both of Cordova, Tenn.

[73] Assignee: **Brother International Corporation**, Somerset, N.J.

[\*\*] Term: **14 Years**

[21] Appl. No.: **30,149**

[22] Filed: **Nov. 8, 1994**

[52] U.S. Cl. .... **D18/1**

[58] Field of Search ..... **D18/1; D14/106; 400/689-694**

[56] **References Cited**

**U.S. PATENT DOCUMENTS**

- D. 310,350 9/1990 Horie et al. .... D18/1 X
- D. 317,321 6/1991 Kasprzycki ..... D18/1
- D. 351,184 10/1994 Bellini ..... D18/1

*Primary Examiner*—Nelson C. Holtje  
*Assistant Examiner*—S. Snapp  
*Attorney, Agent, or Firm*—Oliff & Berridge

[57] **CLAIM**

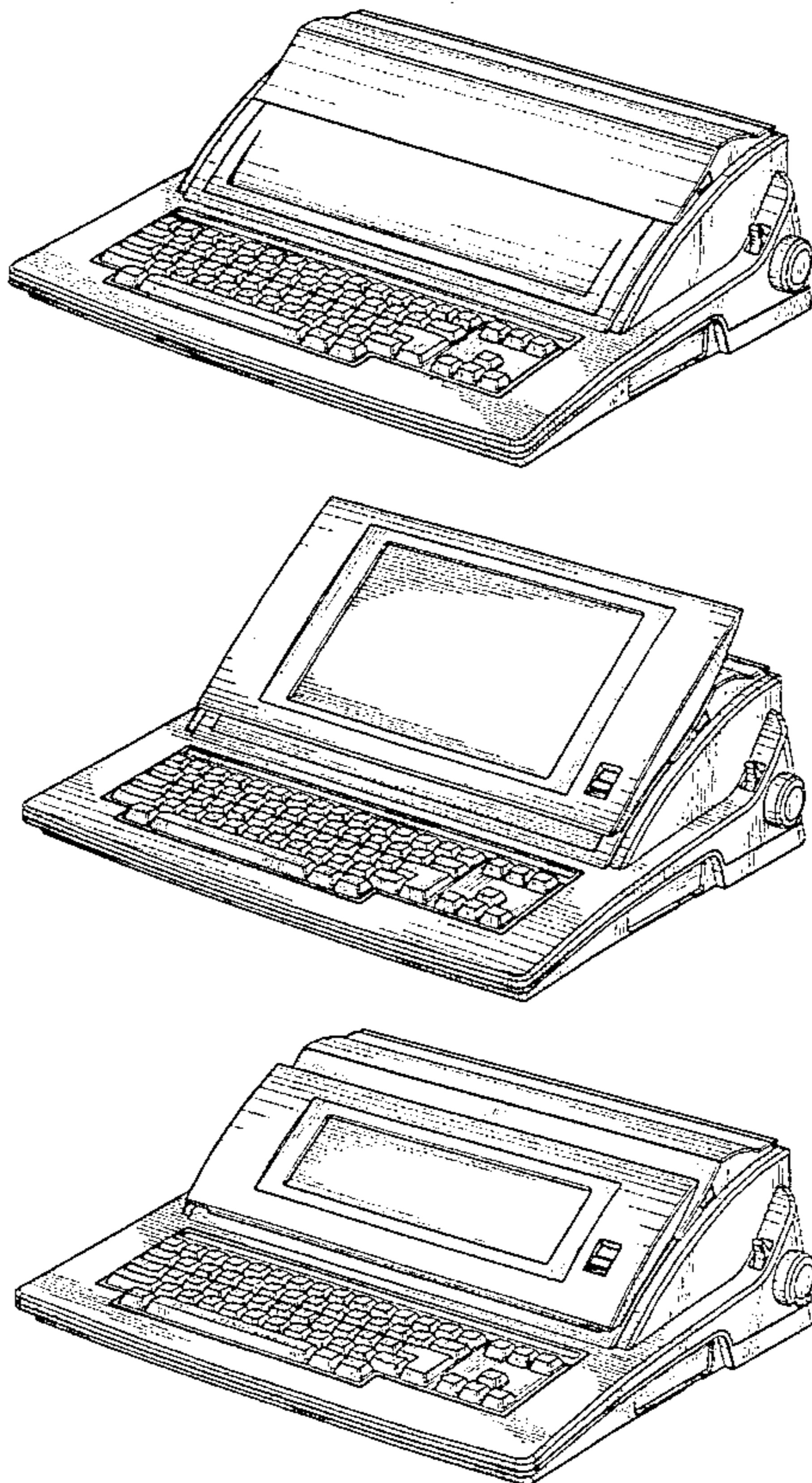
The ornamental design for a word processor, as shown and described.

**DESCRIPTION**

FIG. 1 is a front perspective view of a first embodiment of our word processor;

- FIG. 2 is a front view thereof;
- FIG. 3 is a rear view thereof;
- FIG. 4 is a right side view thereof;
- FIG. 5 is a left side view thereof;
- FIG. 6 is a top view thereof;
- FIG. 7 is a bottom view thereof;
- FIG. 8 is a front perspective view of a second embodiment of our word processor;
- FIG. 9 is a front view thereof;
- FIG. 10 is a rear view thereof;
- FIG. 11 is a right side view thereof;
- FIG. 12 is a left side view thereof;
- FIG. 13 is a top view thereof;
- FIG. 14 is a bottom view thereof;
- FIG. 15 is a front perspective view of a third embodiment of our word processor;
- FIG. 16 is a front view thereof;
- FIG. 17 is a rear view thereof;
- FIG. 18 is a right side view thereof;
- FIG. 19 is a left side view thereof;
- FIG. 20 is a top view thereof; and,
- FIG. 21 is a bottom view thereof.

**1 Claim, 15 Drawing Sheets**



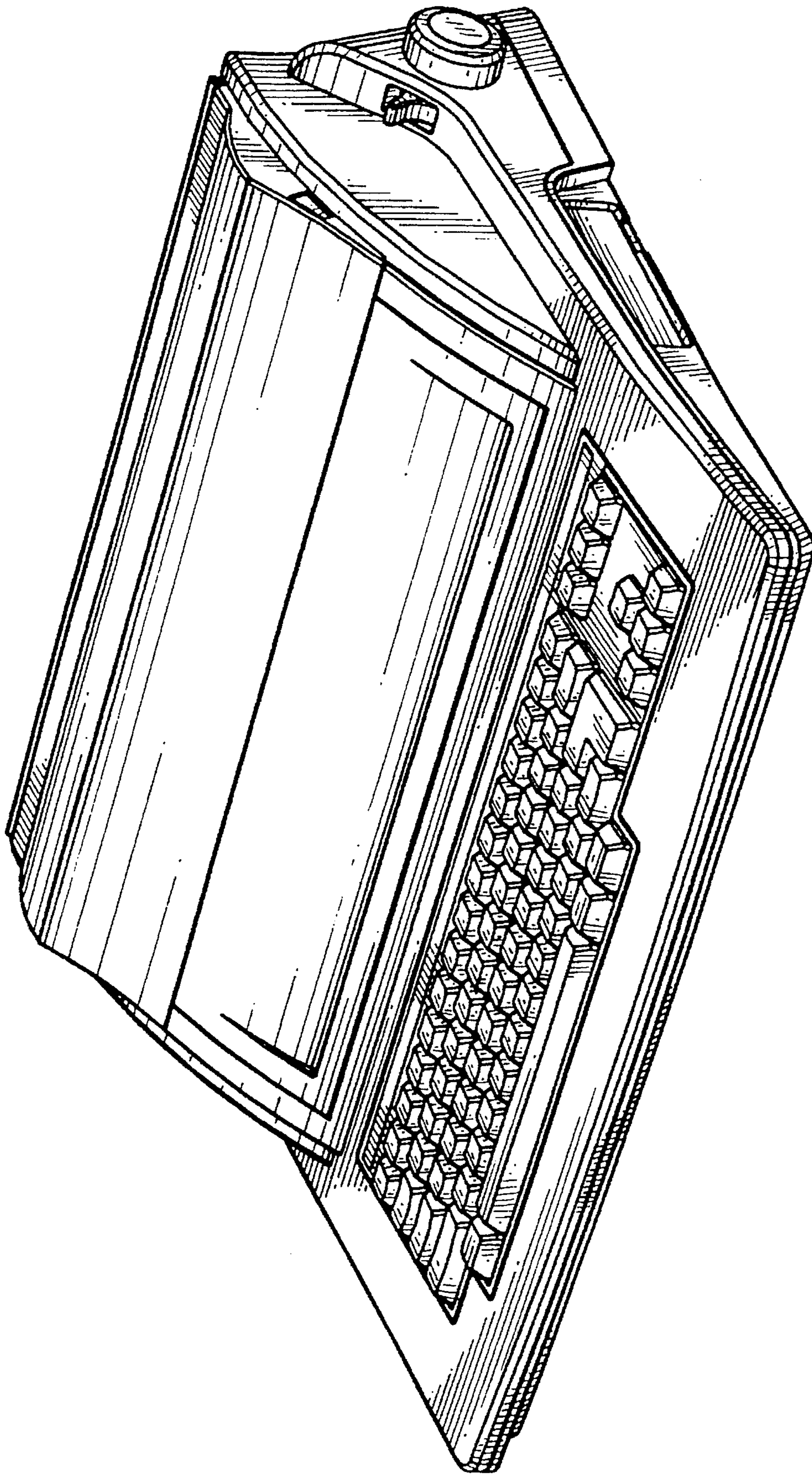


FIG.1

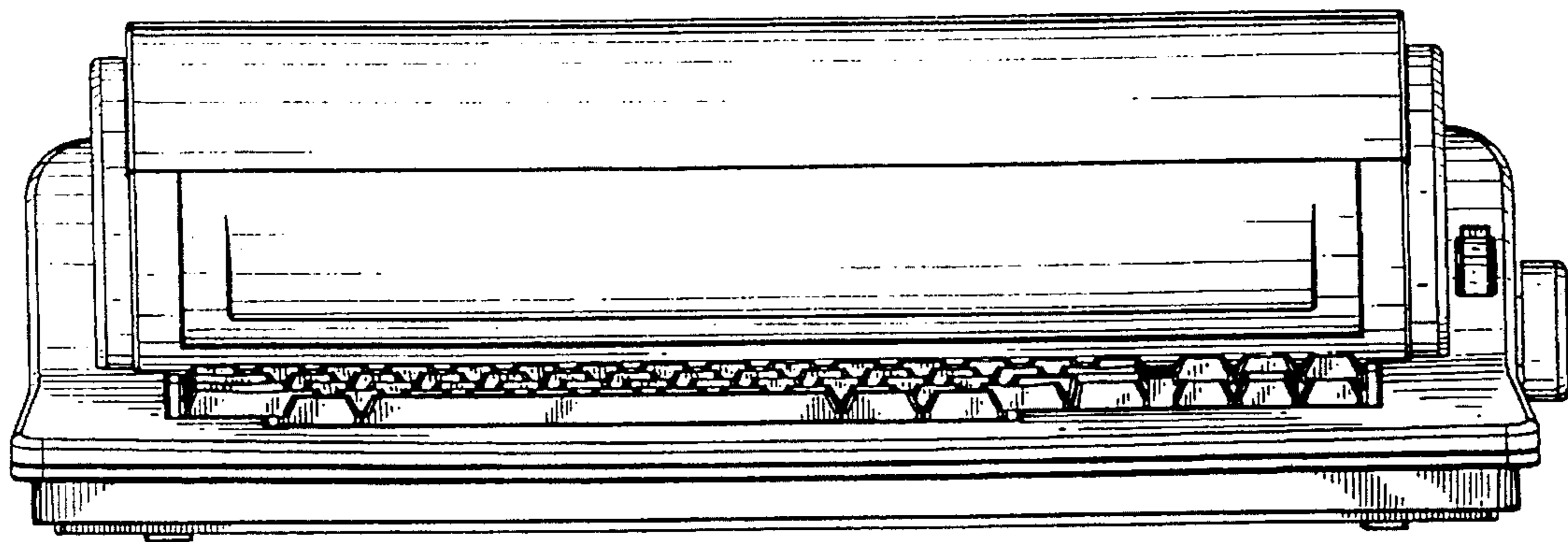


FIG. 2

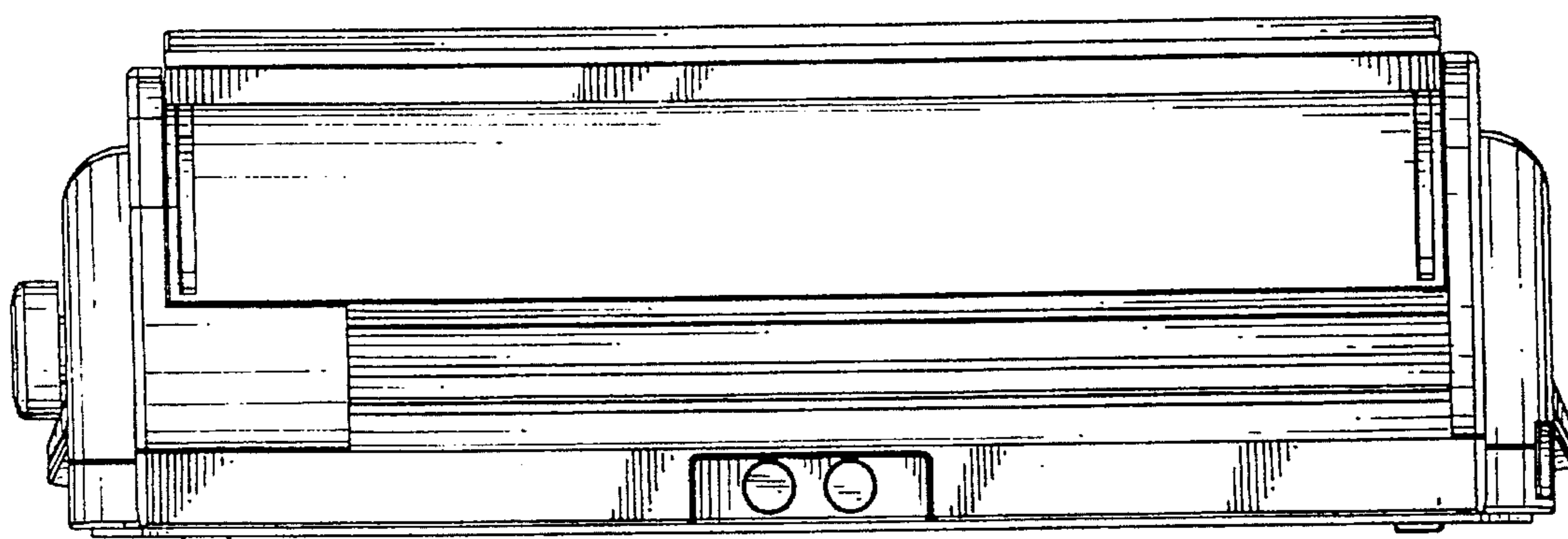


FIG. 3

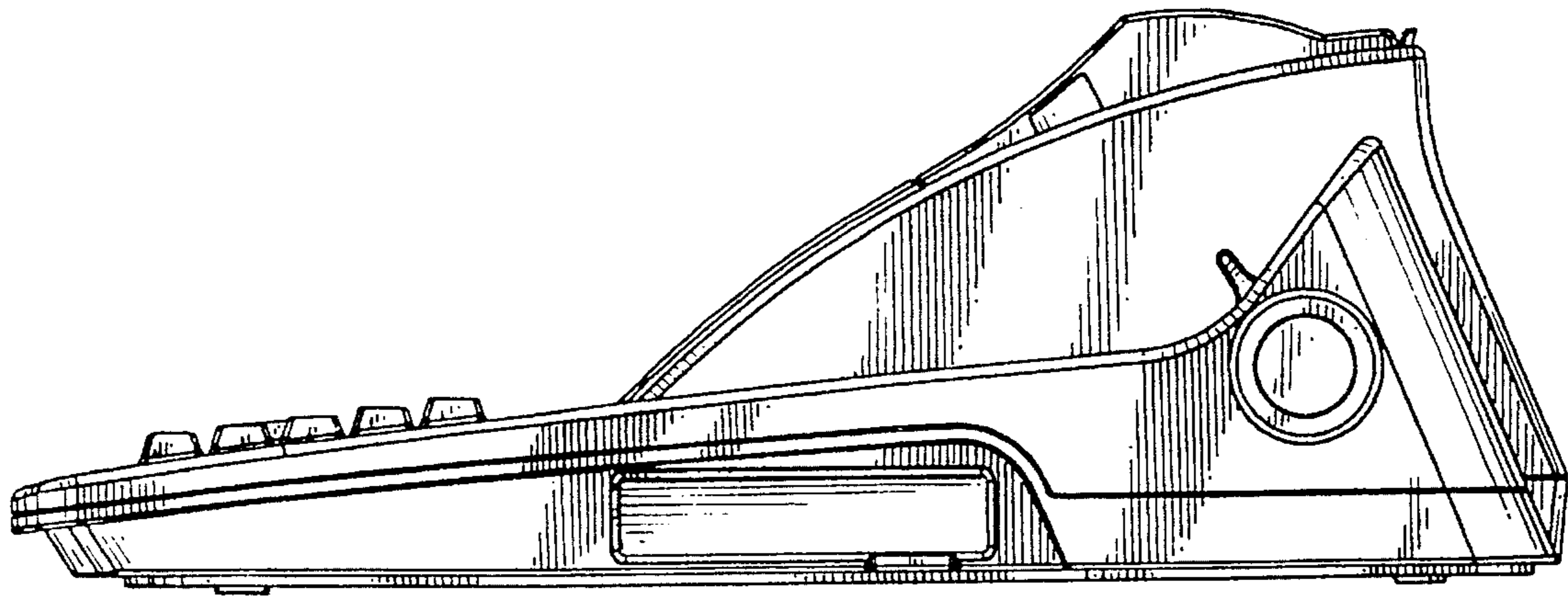


FIG. 4

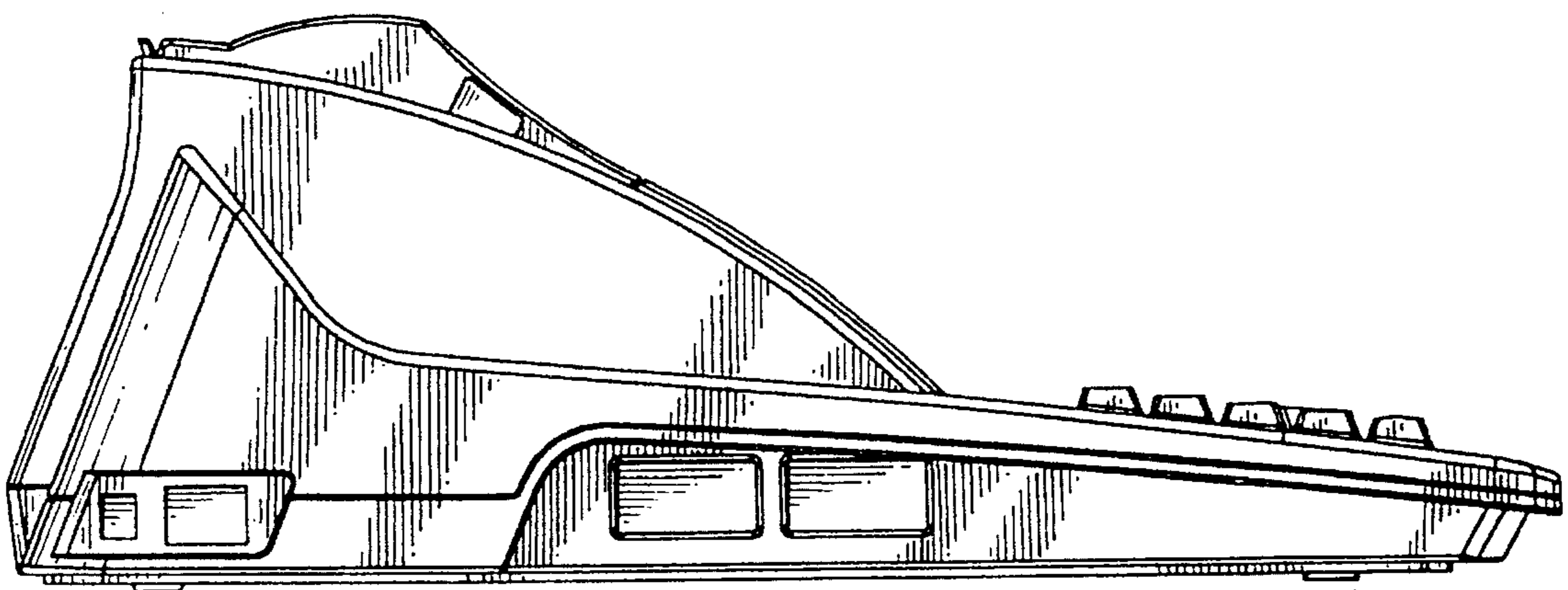


FIG. 5

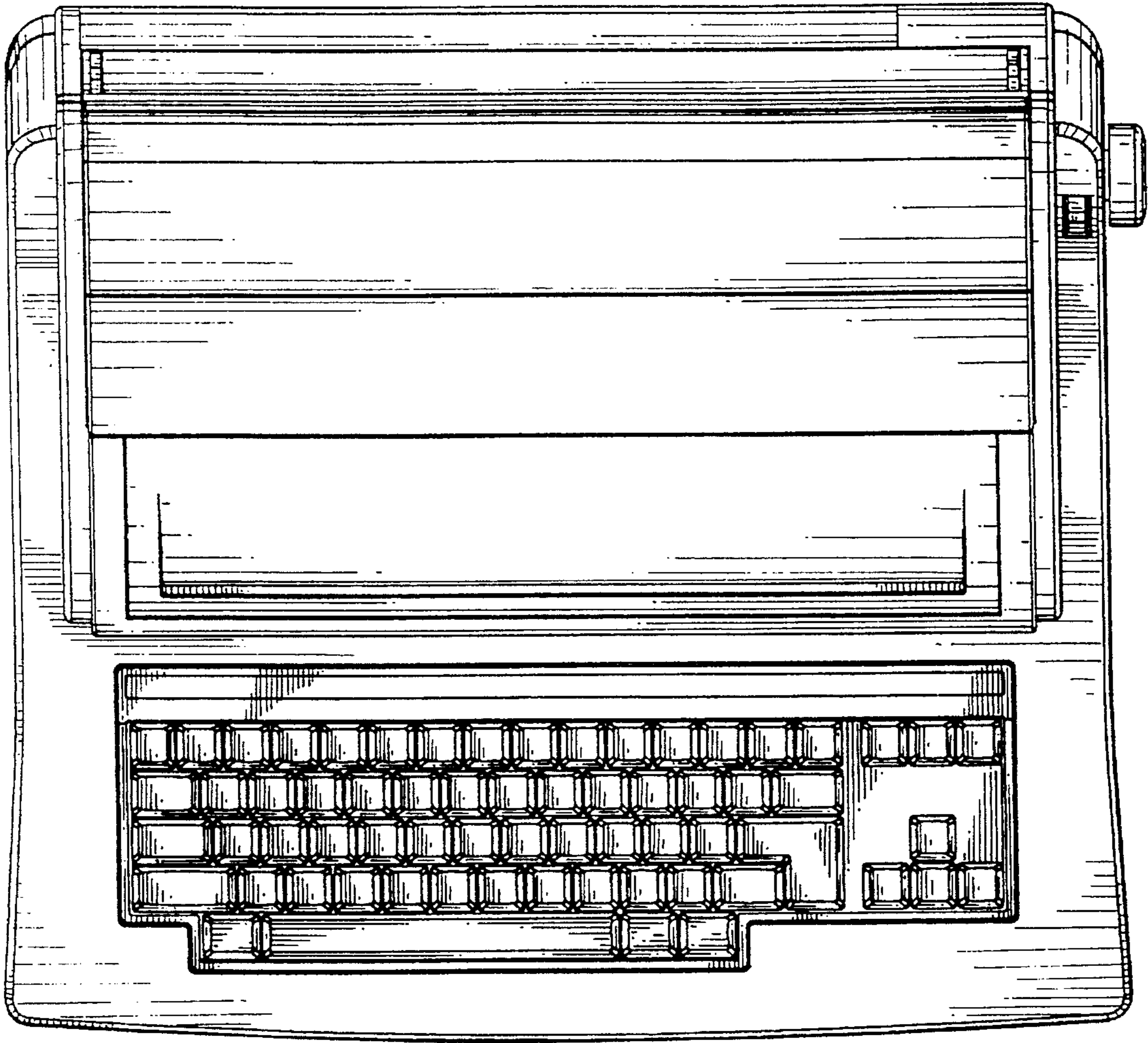


FIG. 6

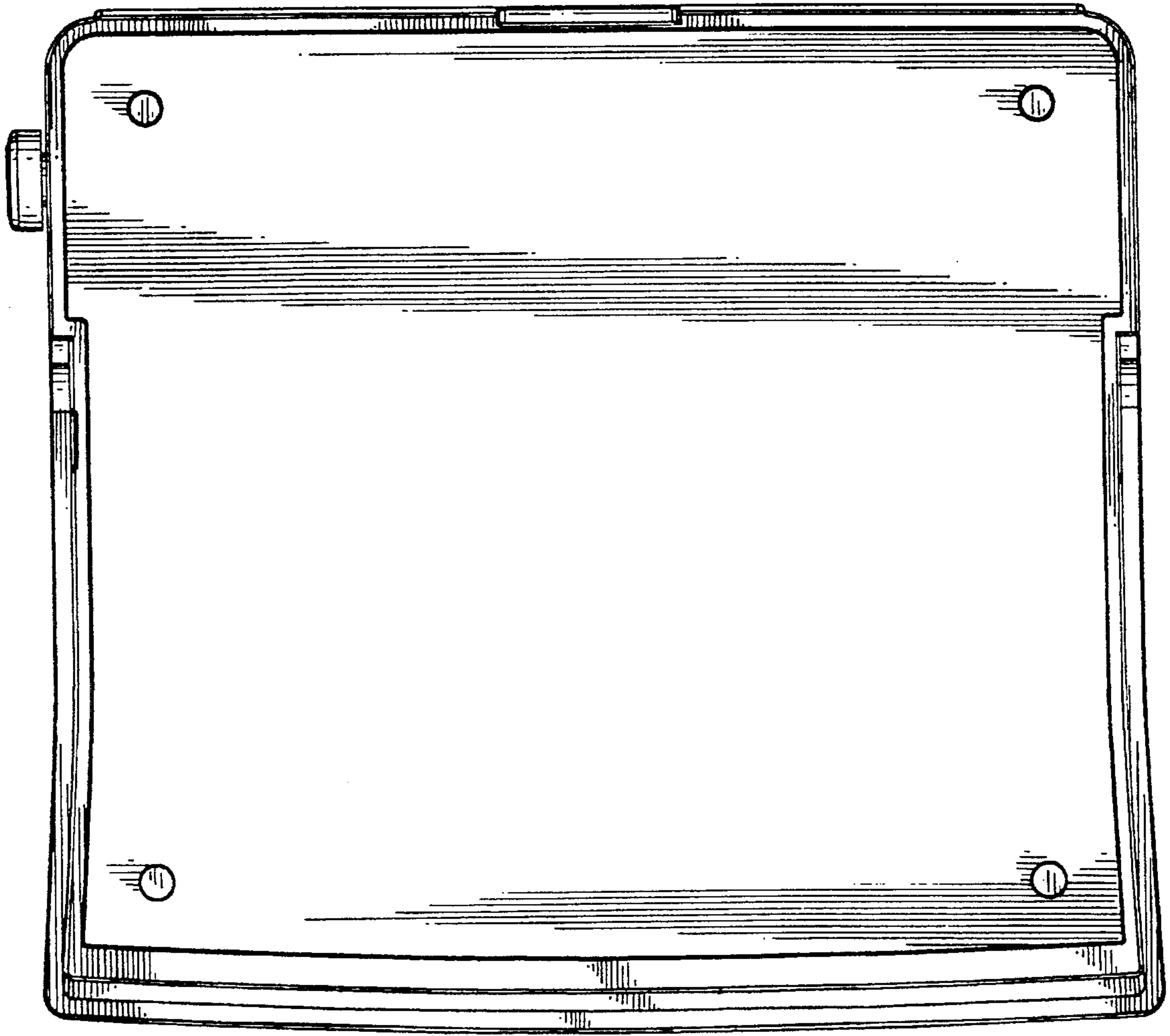


FIG. 7

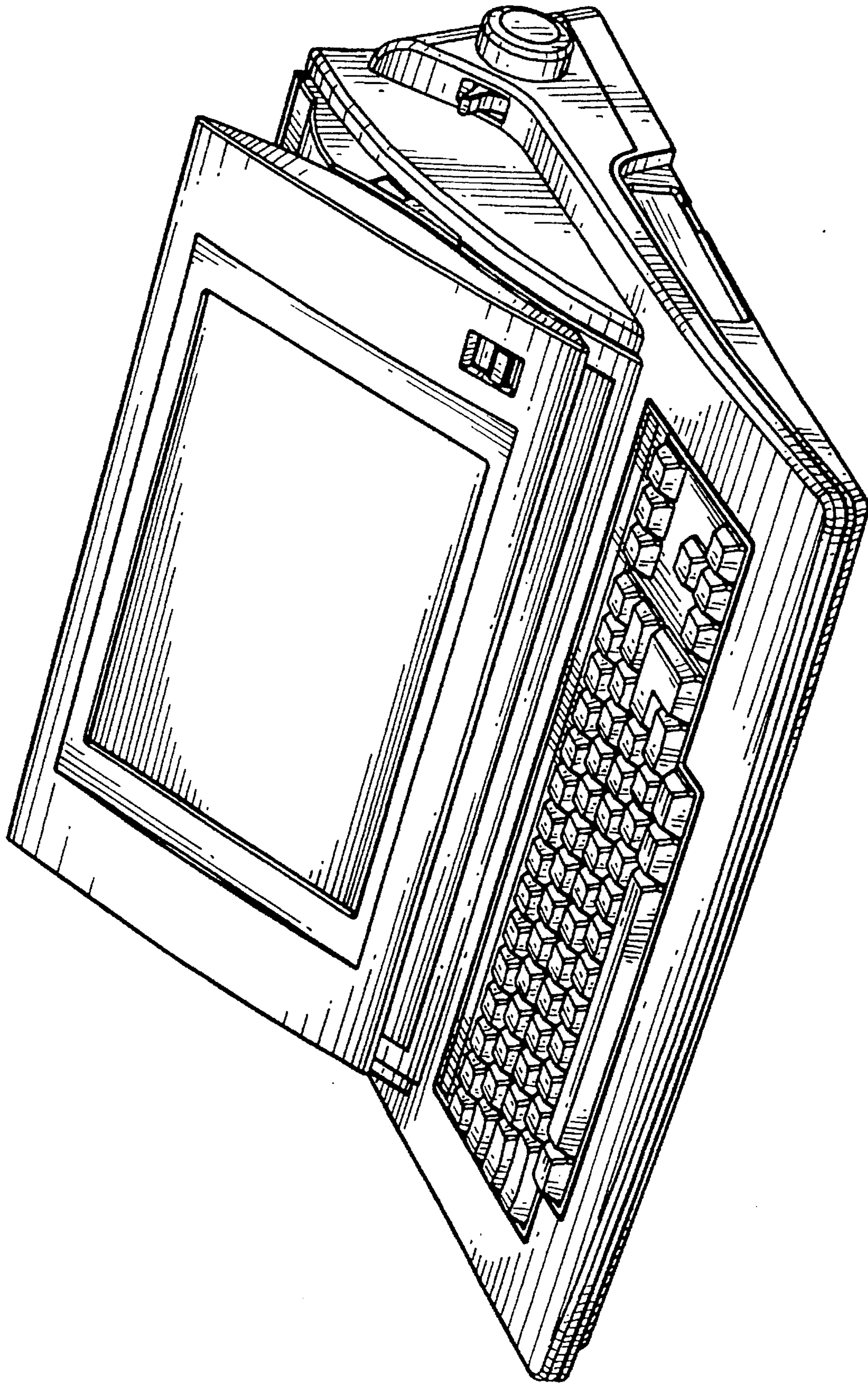


FIG. 8

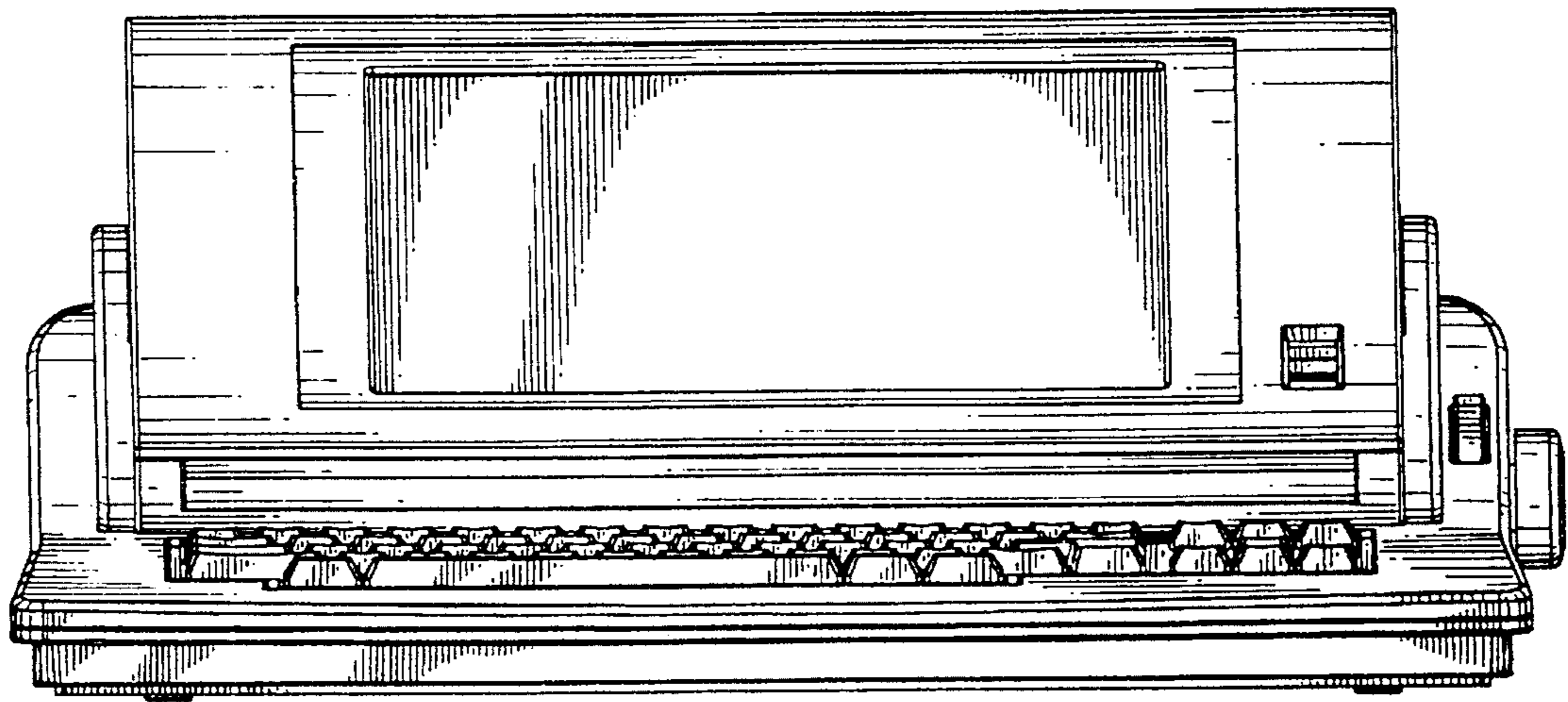


FIG. 9

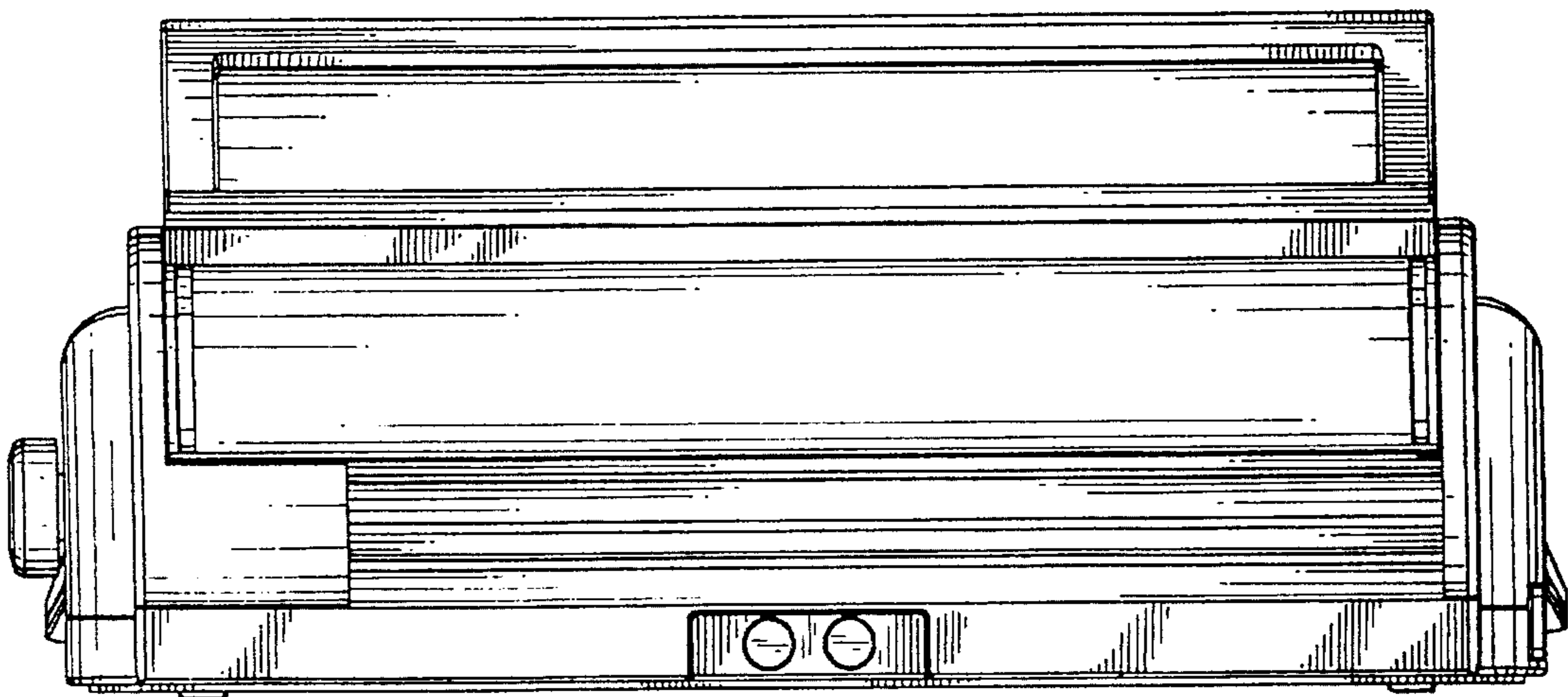


FIG. 10



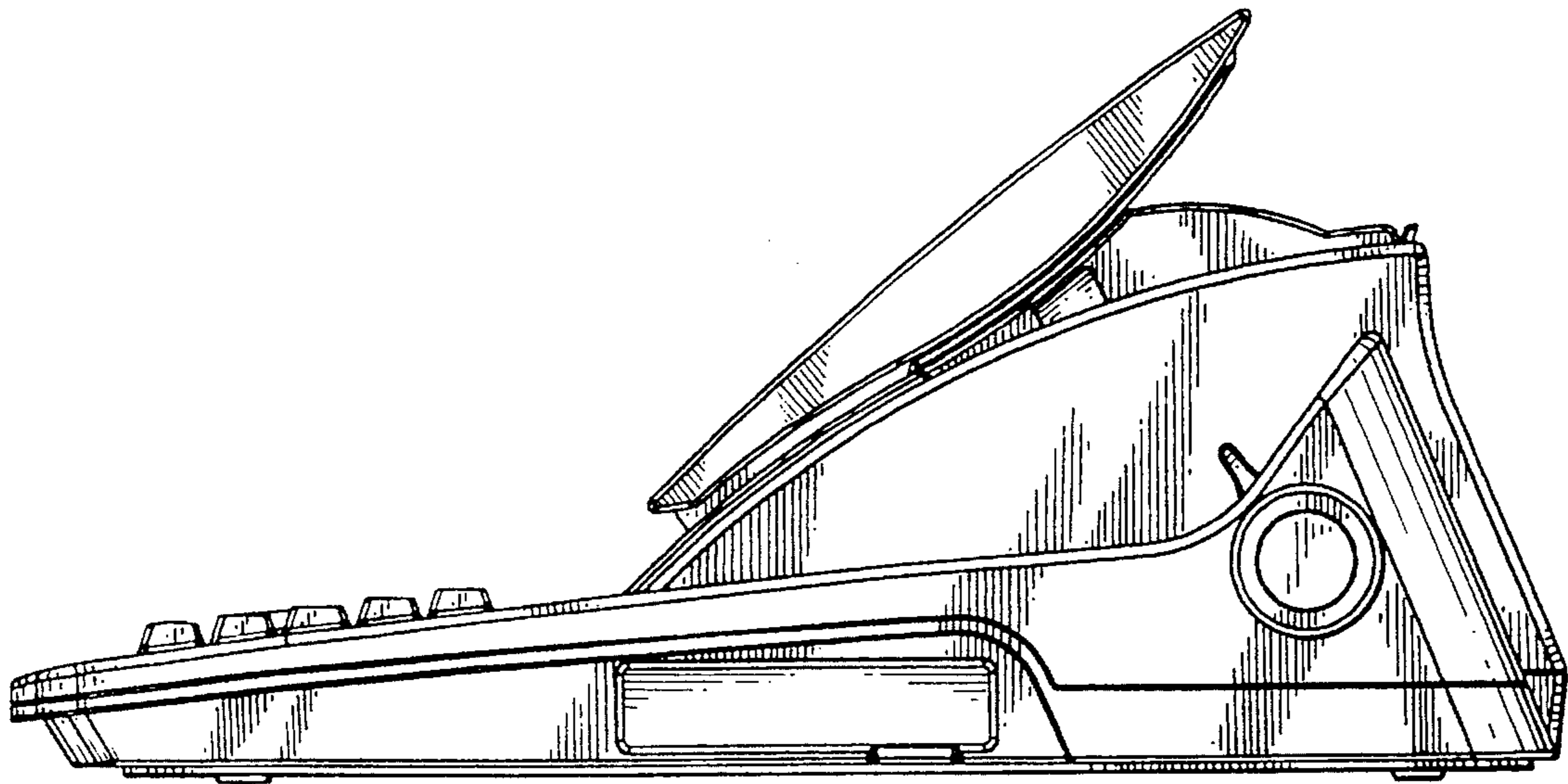


FIG. 11

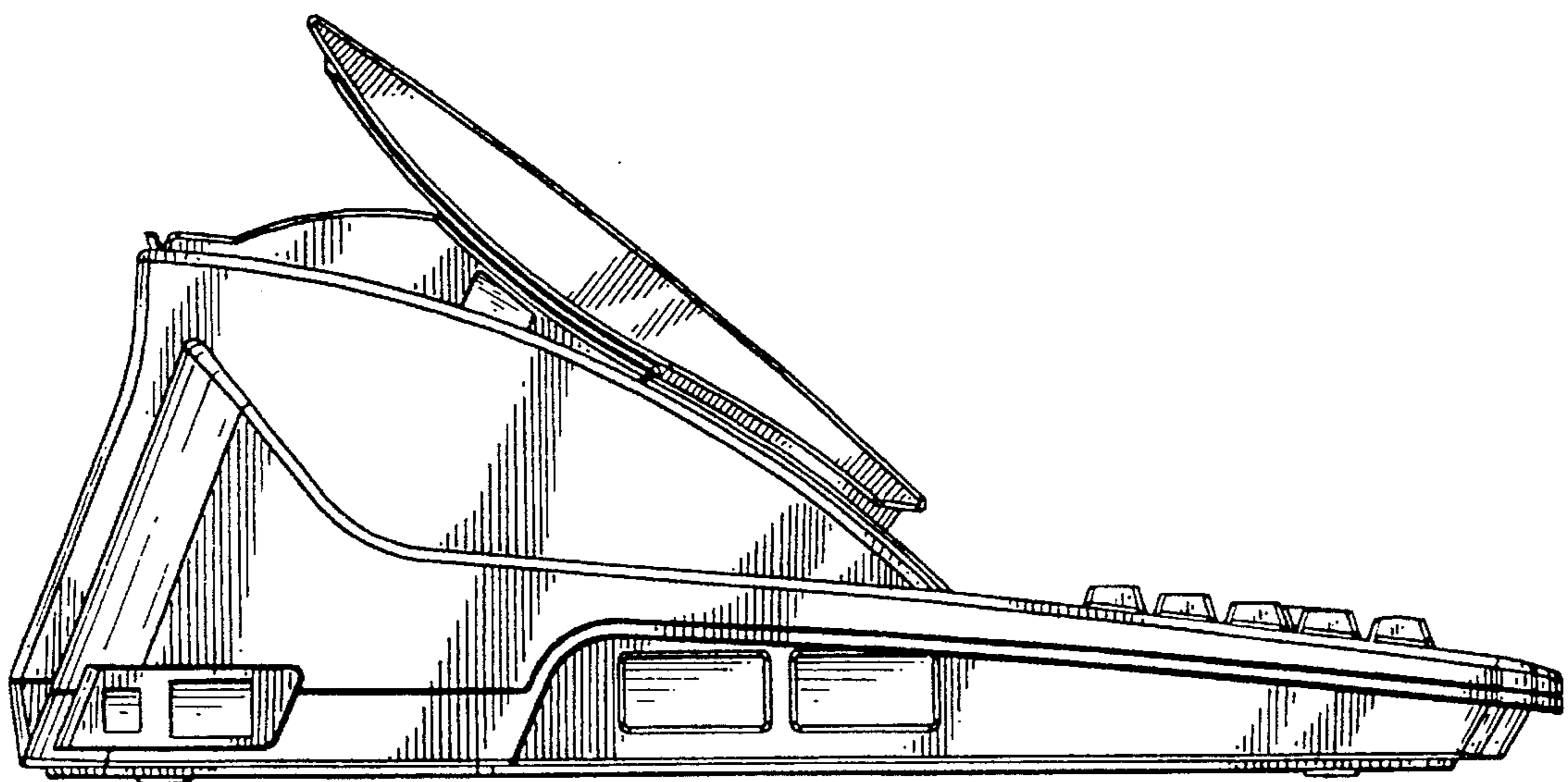


FIG. 12

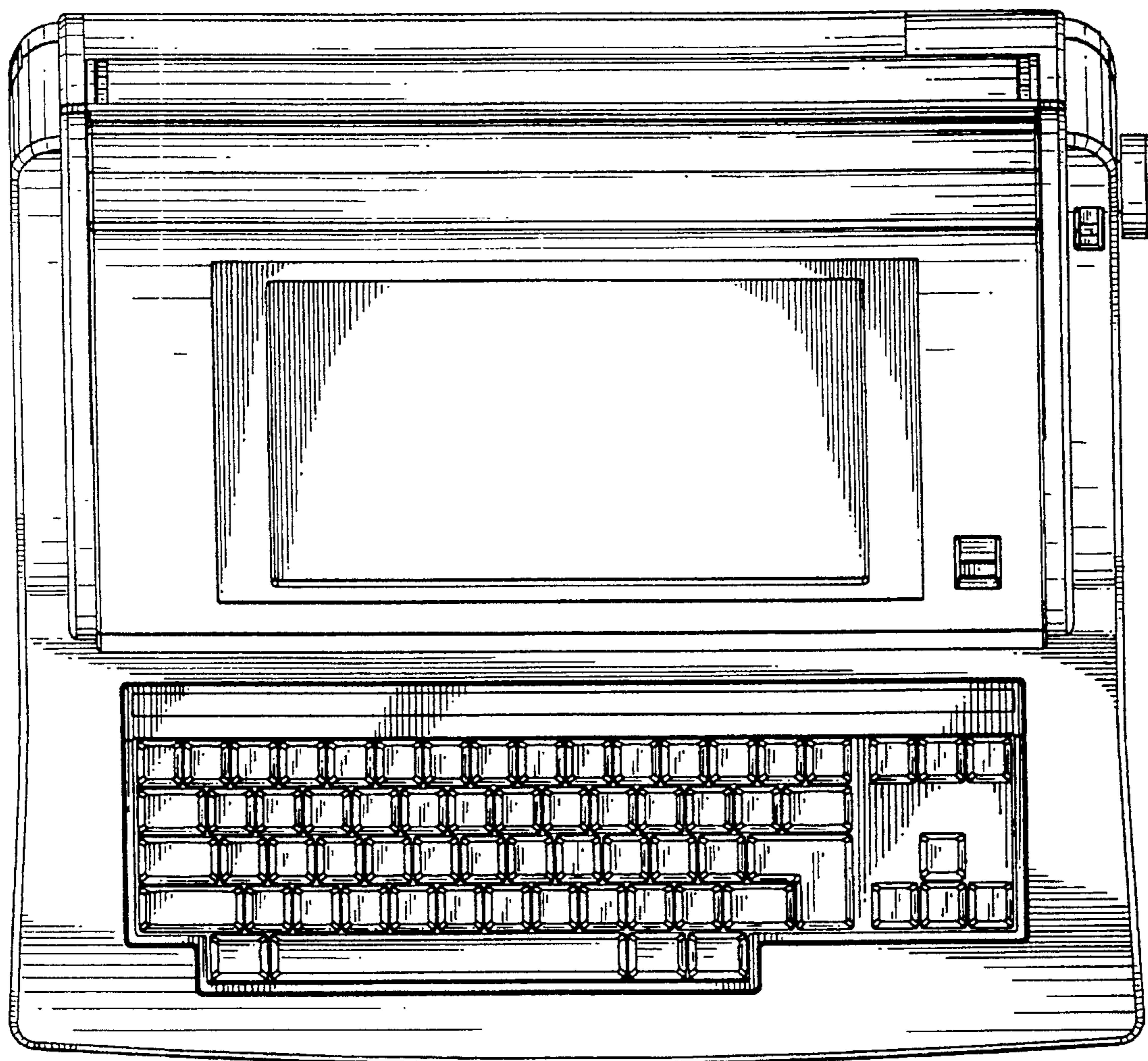


FIG.13

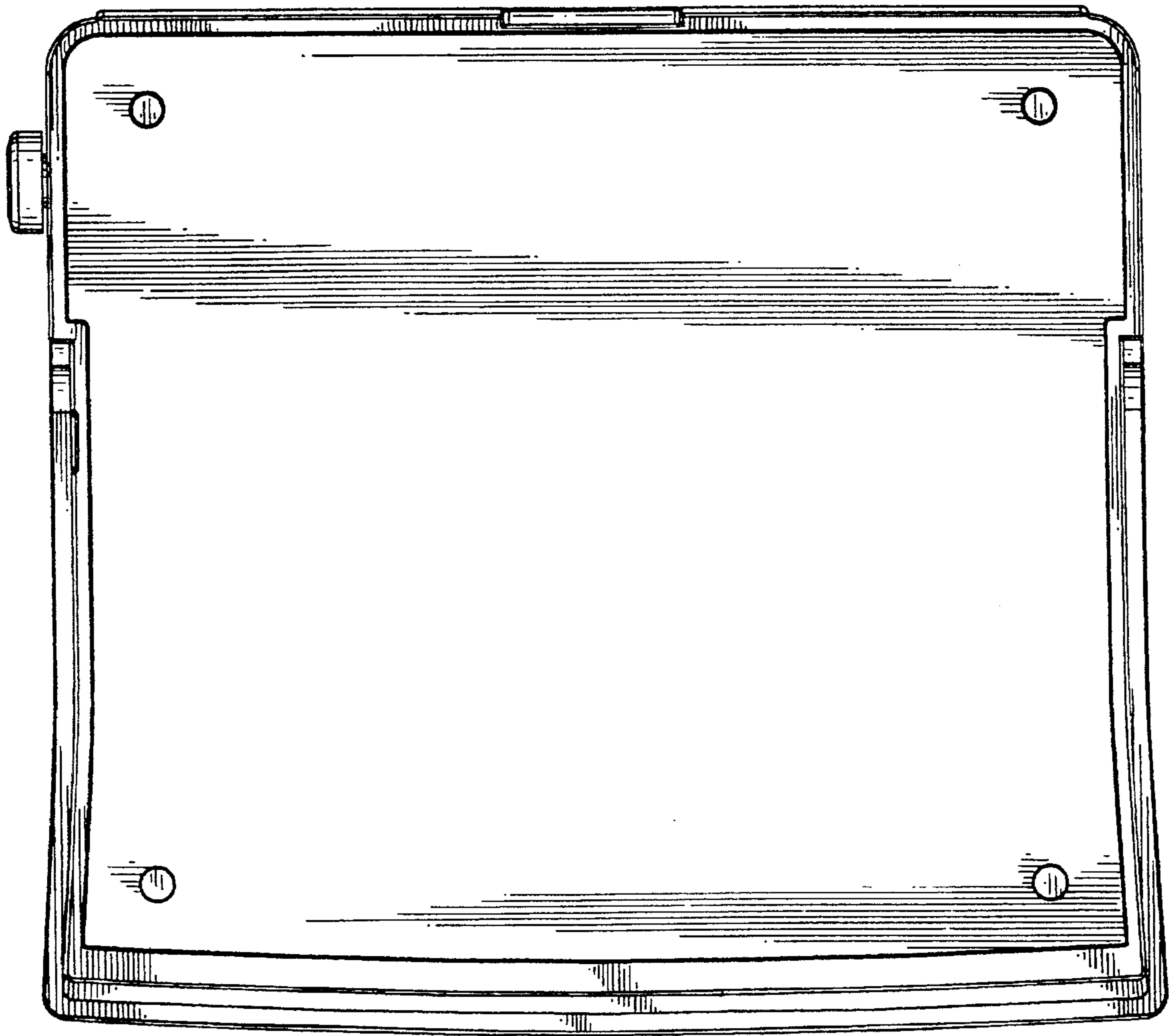


FIG. 14

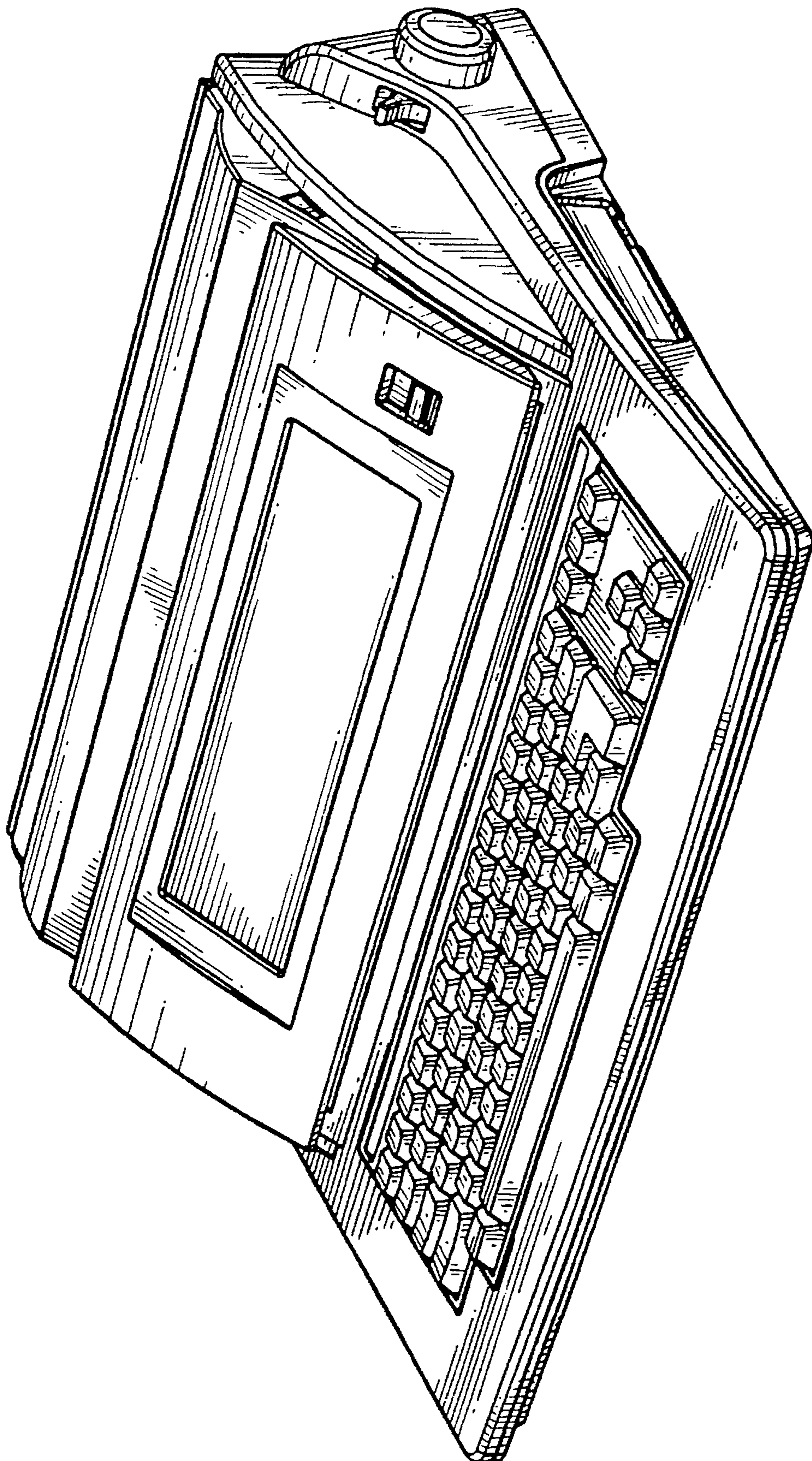


FIG. 15

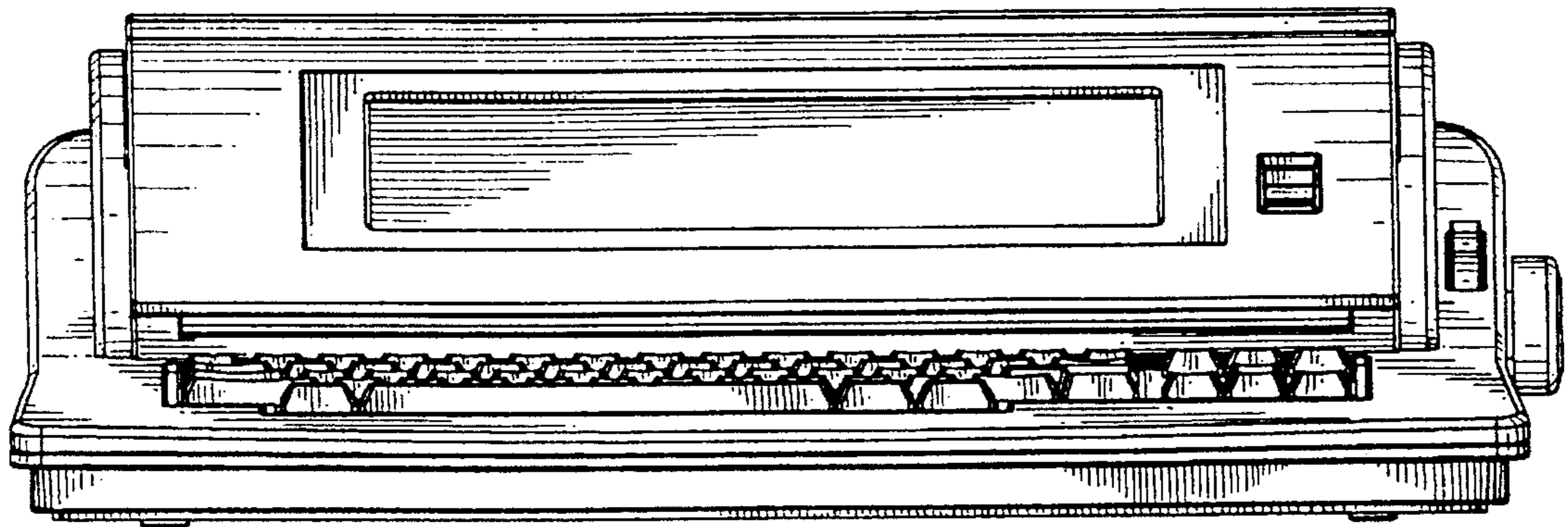


FIG. 16

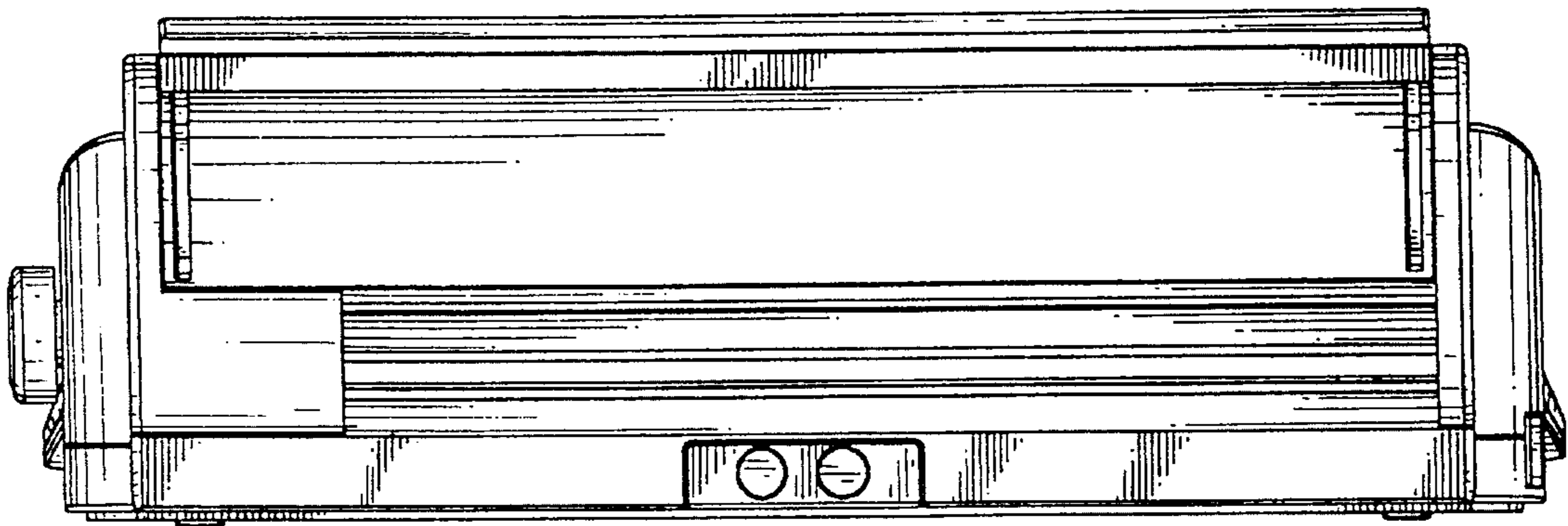


FIG. 17

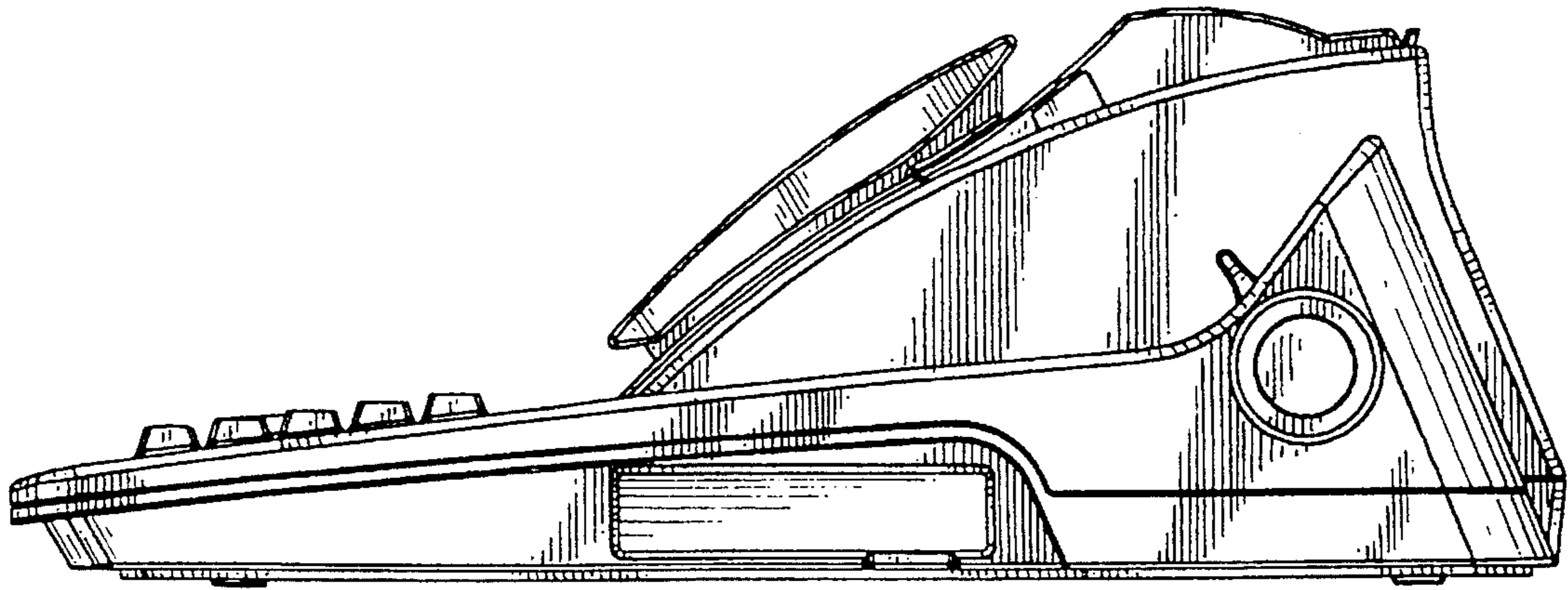


FIG. 18

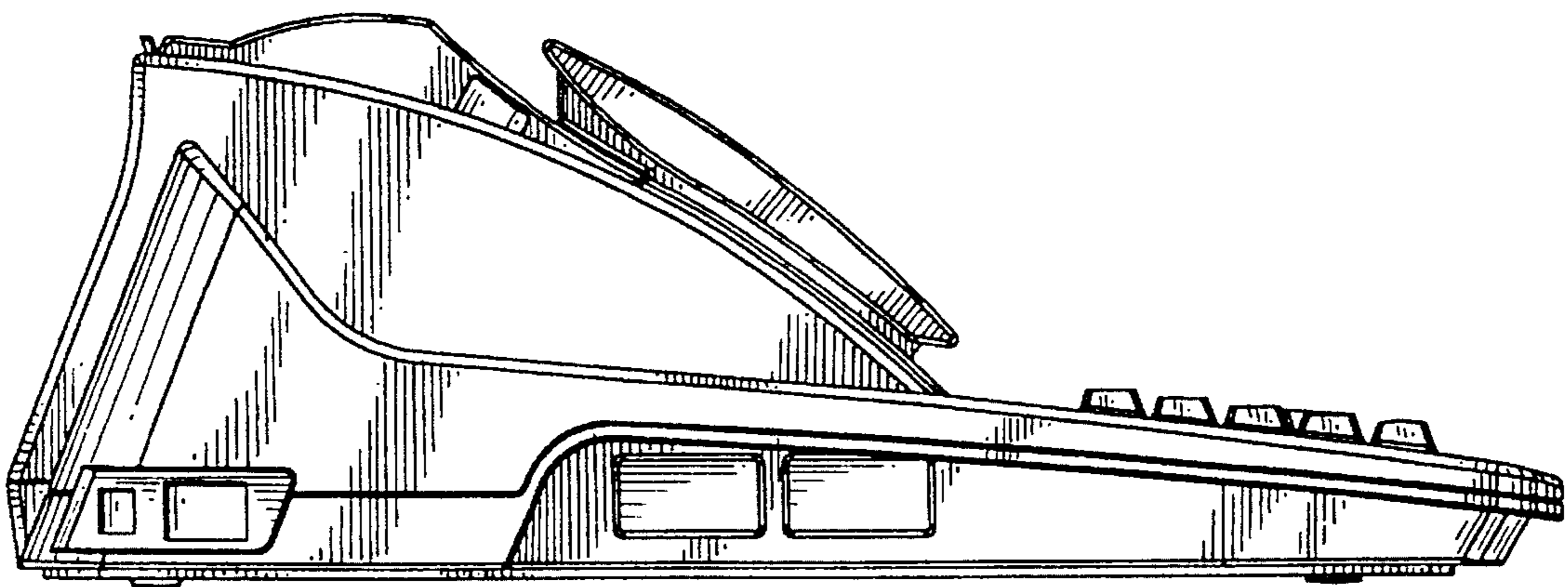


FIG. 19

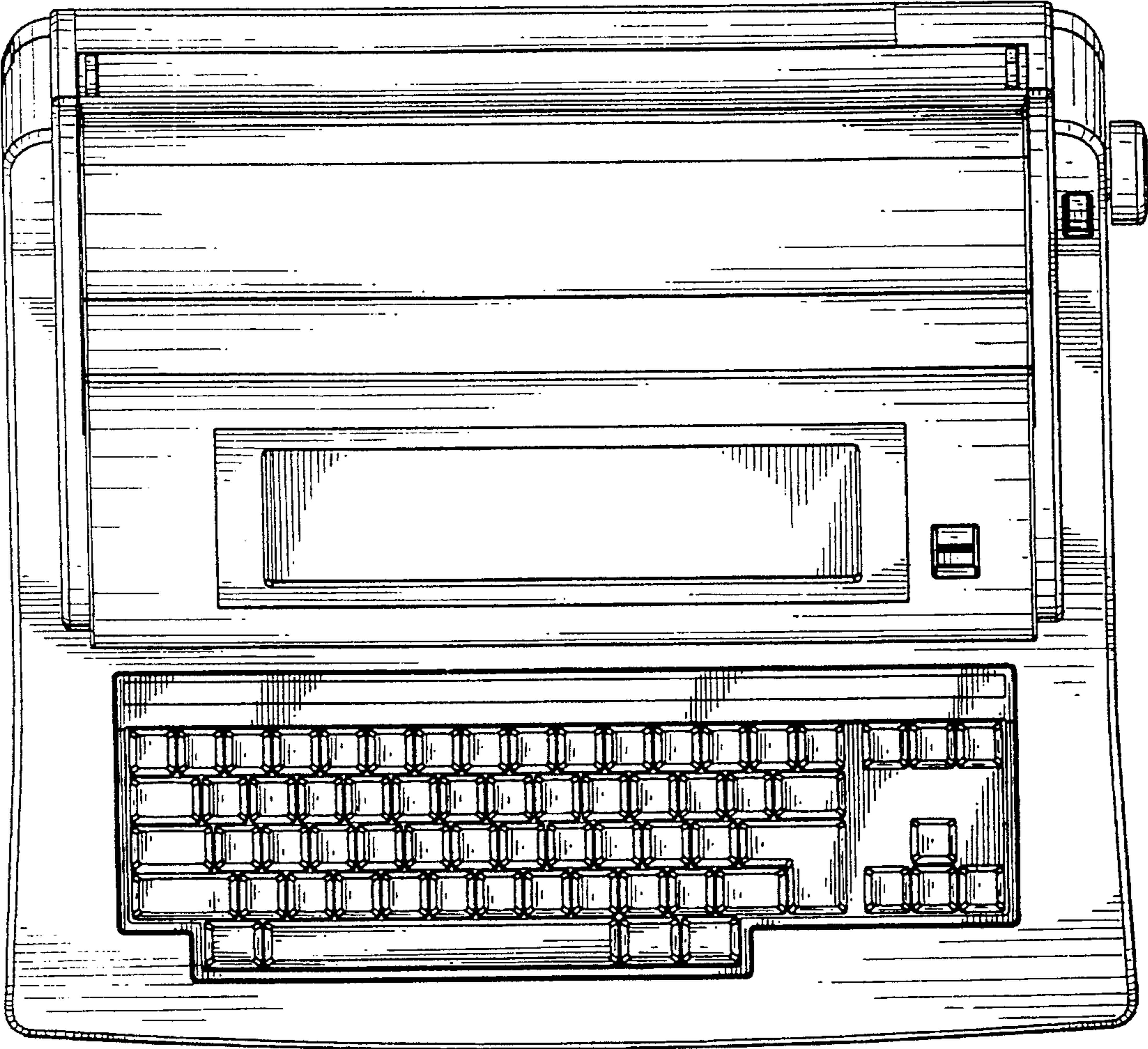


FIG.20

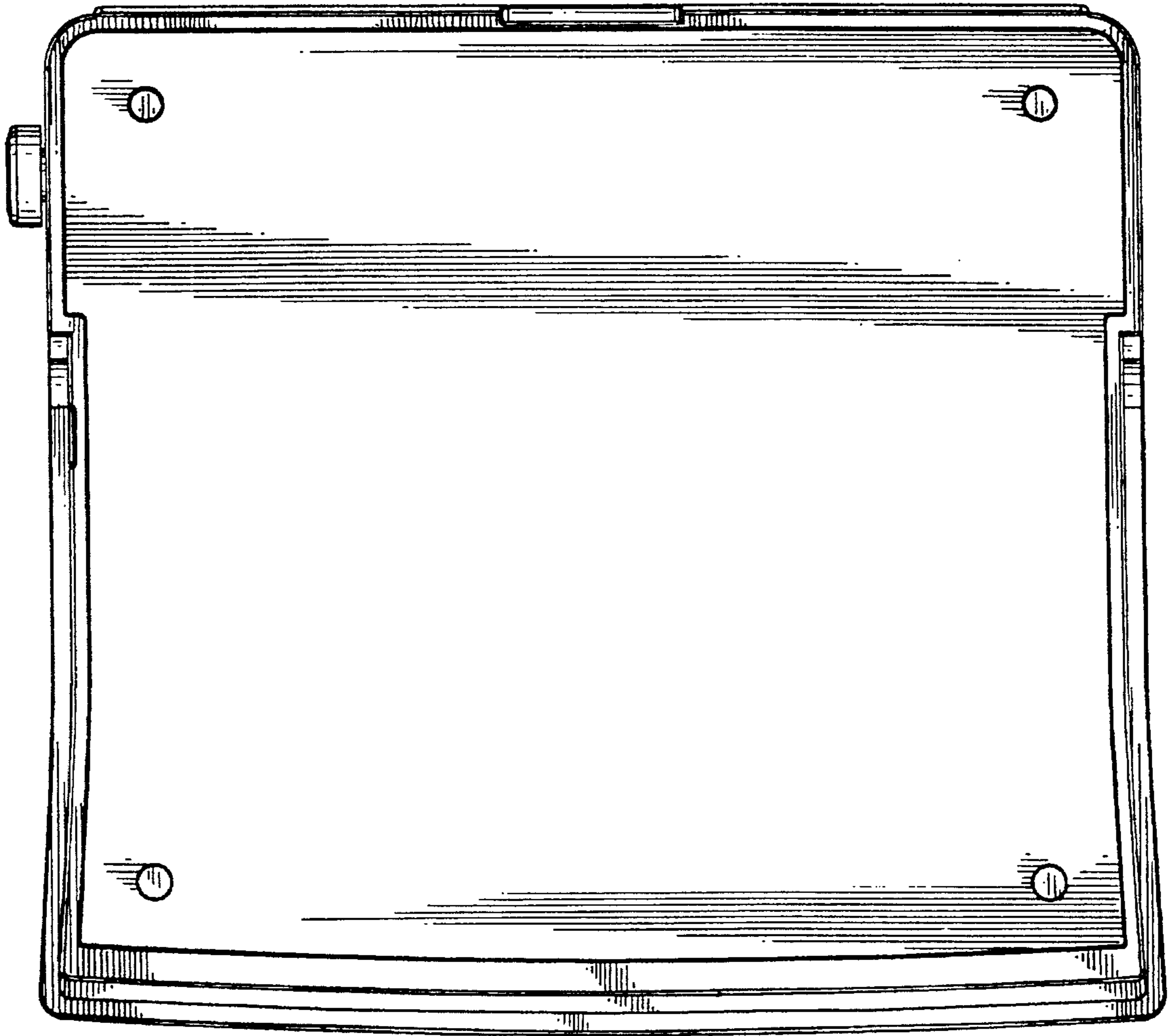


FIG.21