



US00D371566S

# United States Patent [19]

Kolada et al.

[11] Patent Number: **Des. 371,566**

[45] Date of Patent: **\*\*Jul. 9, 1996**

[54] **DIVING MASK**

5,329,643 7/1994 Sato .

[75] Inventors: **Paul Kolada**, Bexley, Ohio; **James Ferrero**, Chicago; **James R. Lutz**, Elk Grove Village, both of Ill.

### OTHER PUBLICATIONS

Skin Diver, Mar. 1986, p. 1 Mask, lower right of side of page.

[73] Assignee: **Dacor Corporation**, Northfield, Ill.

*Primary Examiner*—Sandra L. Morris

[\*\*] Term: **14 Years**

*Assistant Examiner*—R. Barkai

*Attorney, Agent, or Firm*—Greer, Burns & Crain, Ltd.

[21] Appl. No.: **20,424**

### [57] CLAIM

[22] Filed: **Mar. 25, 1994**

The ornamental design for a diving mask, as shown and described.

[52] U.S. Cl. .... **D16/311**

[58] Field of Search ..... D16/306, 310-314, D16/330, 337, 338, 340; 2/430, 431, 432, 427, 428, 439, 449, 452

### DESCRIPTION

### [56] References Cited

#### U.S. PATENT DOCUMENTS

- D. 290,763 7/1987 Walsh .
- D. 302,747 8/1989 Hattori .
- D. 334,999 4/1993 Faulconer et al. .
- D. 342,810 12/1993 Berenson ..... D16/312
- D. 352,950 11/1994 Rasocha ..... D16/311
- 4,171,543 10/1979 Cressi ..... 2/452
- 4,607,398 8/1986 Faulconer ..... 2/452
- 4,856,120 8/1989 Hart .
- 5,277,179 1/1994 Stone et al. .

FIG. 1 is a front perspective elevational view of the diving mask of the invention;

FIG. 2 is a right side view of the diving mask of FIG. 1, the left side being identical;

FIG. 3 is a front view of the diving mask of the invention;

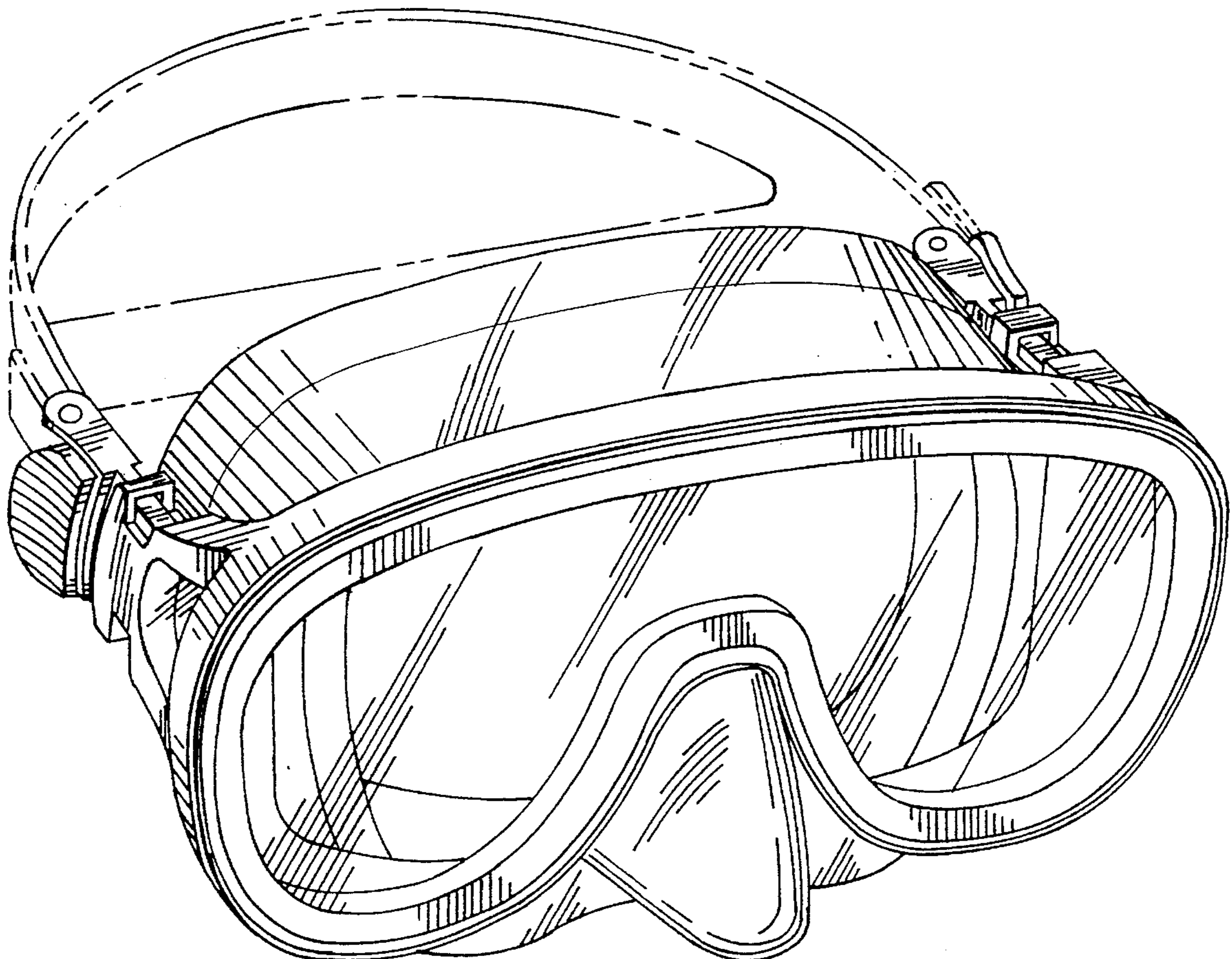
FIG. 4 is a rear view thereof;

FIG. 5 is a top plan view of the present diving mask; and,

FIG. 6 is a bottom plan view thereof.

The broken line showing of the strap in FIG. 1 is for illustrative purposes only and forms no part of the claimed design.

**1 Claim, 3 Drawing Sheets**



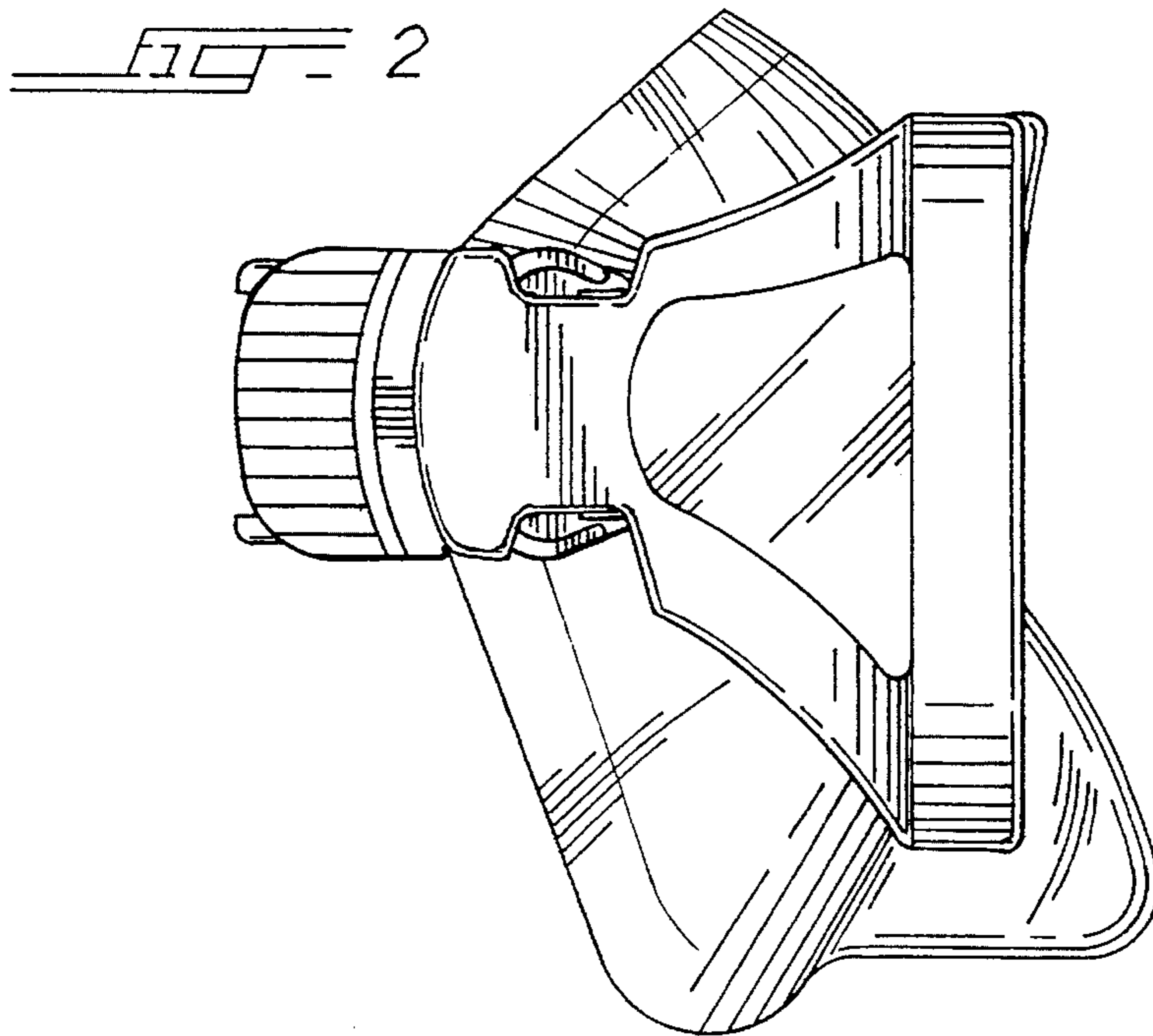
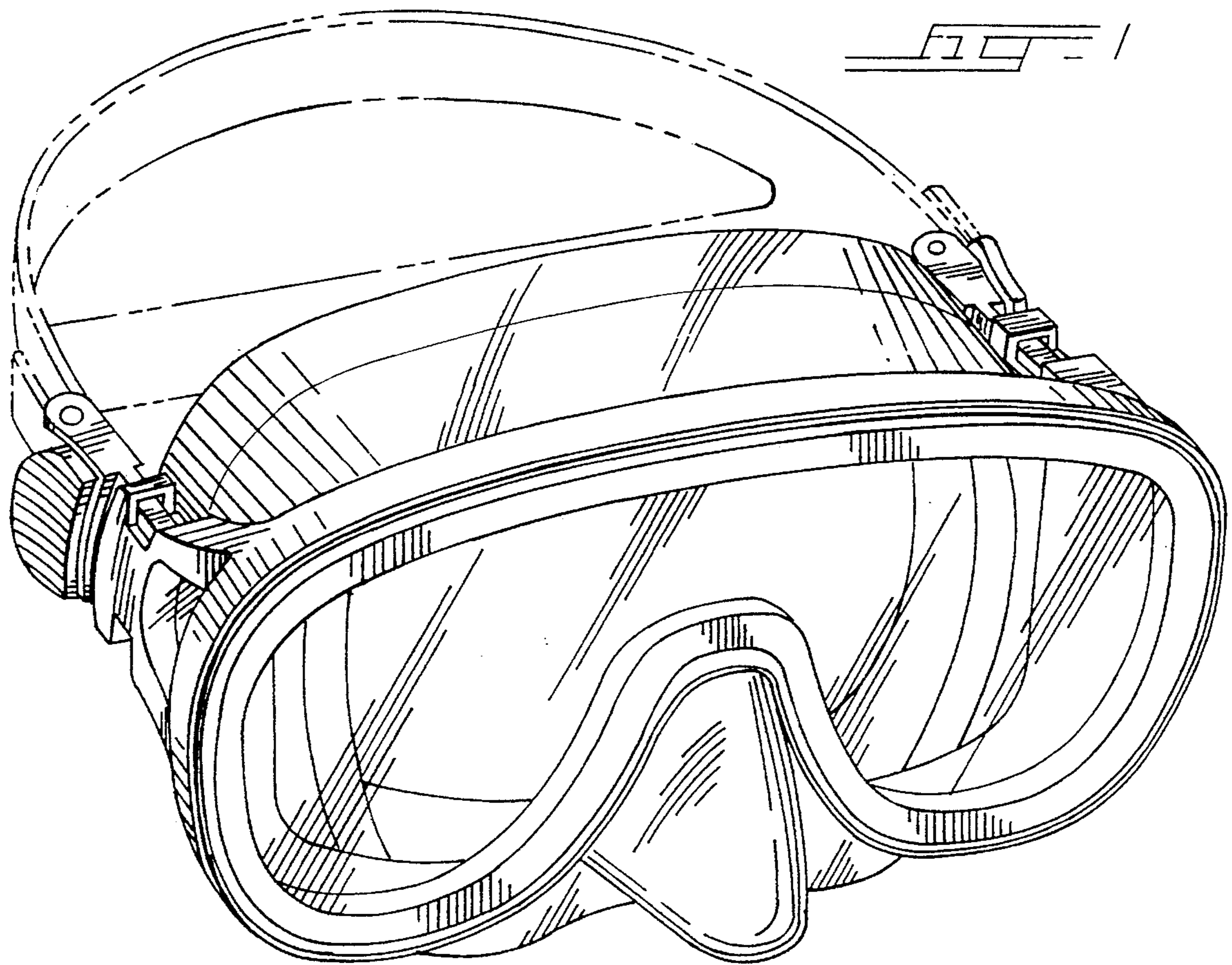




FIG. 3

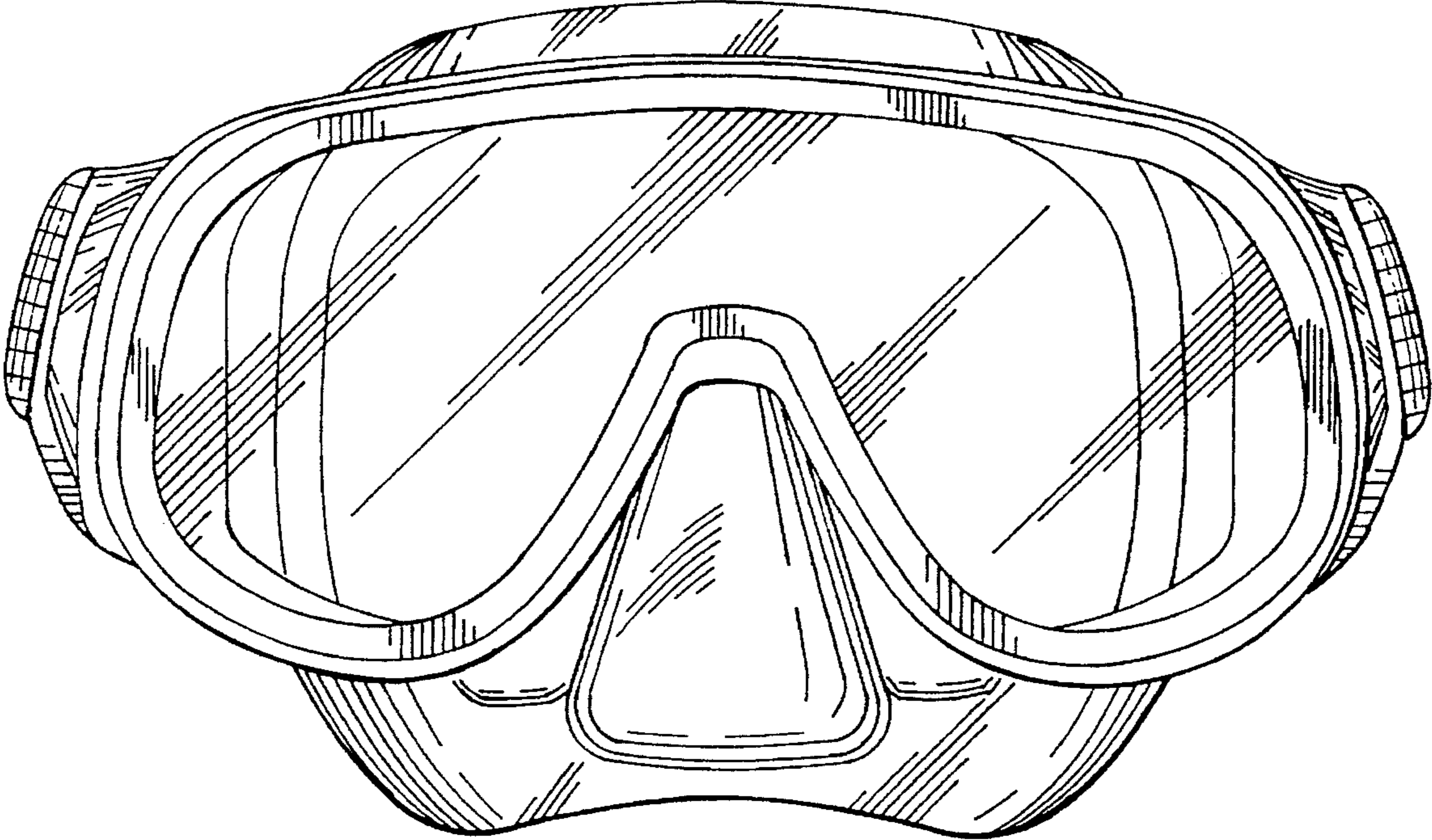


FIG. 4

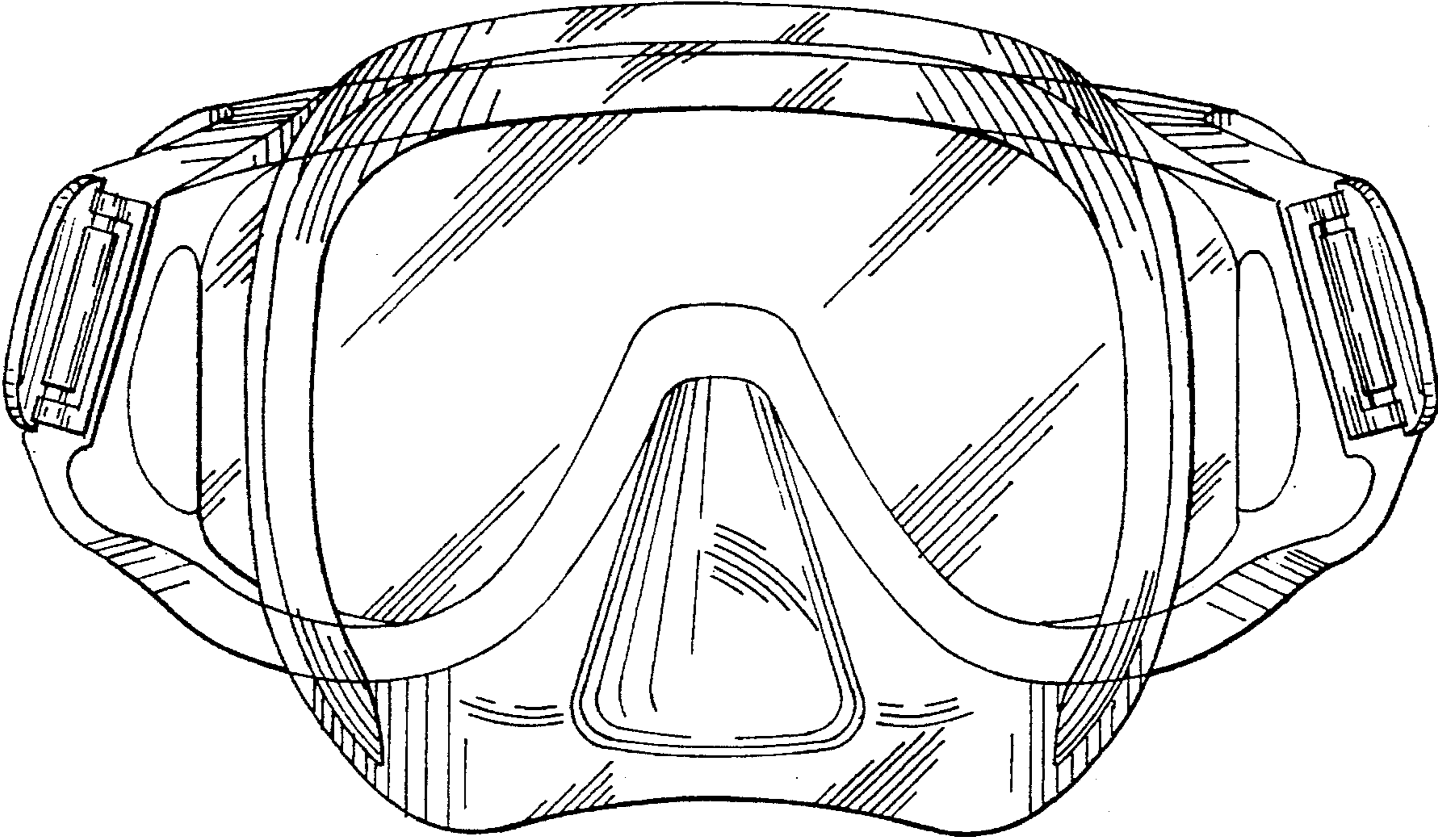


FIG. 5

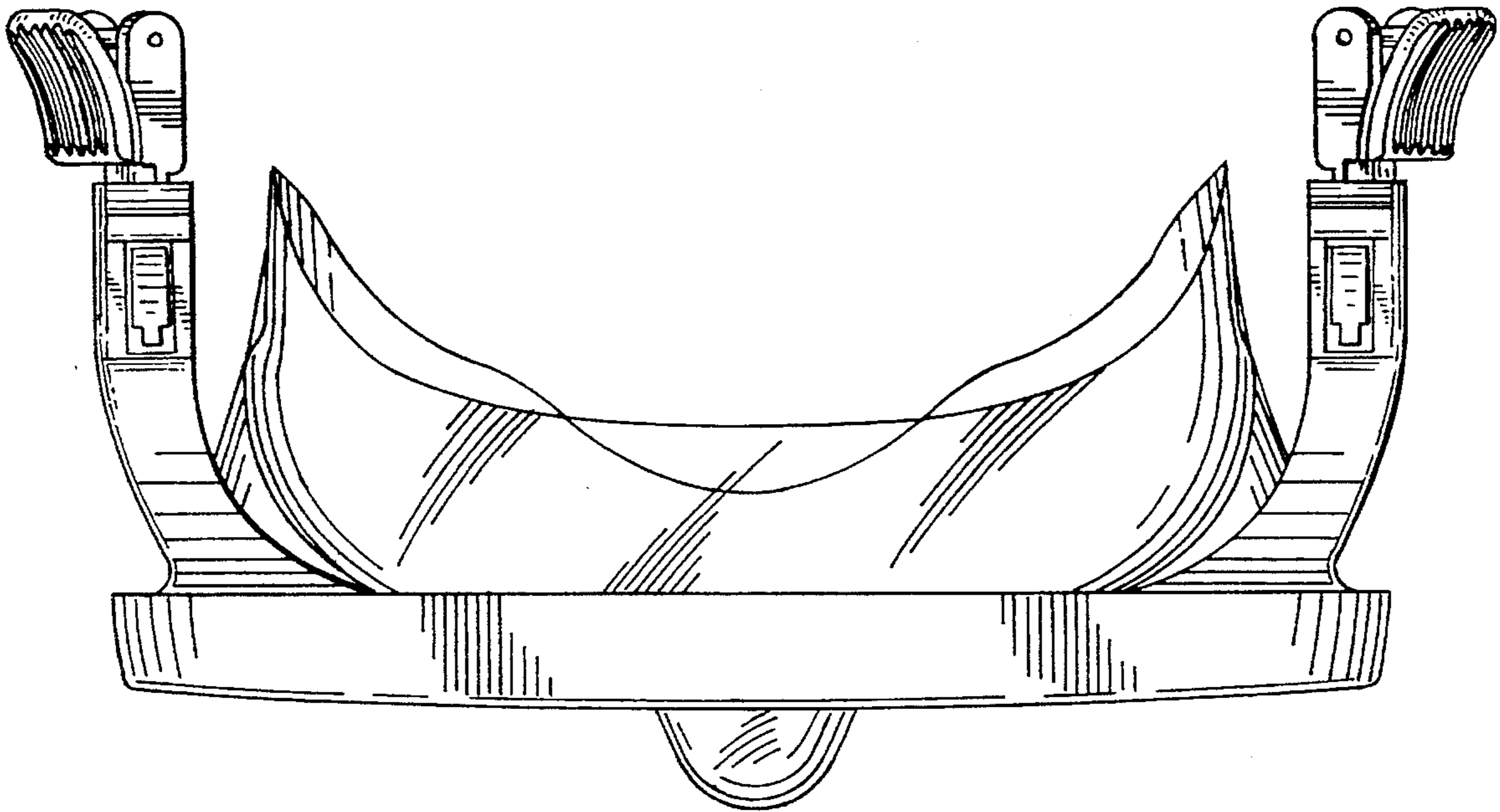


FIG. 6

