



US00D371565S

# United States Patent [19]

Betts et al.

[11] Patent Number: **Des. 371,565**

[45] Date of Patent: **\*\*Jul. 9, 1996**

[54] **AUTOMATIC FILM PROCESSOR FOR SELF-DEVELOPING PEEL-APART FILM**

[75] Inventors: **John H. Betts**, New York, N.Y.; **Gary E. Kinnear**, East Weymouth, Mass.

[73] Assignee: **Polaroid Corporation**, Cambridge, Mass.

[\*\*] Term: **14 Years**

[21] Appl. No.: **30,832**

[22] Filed: **Nov. 9, 1994**

[52] U.S. Cl. .... **D16/246**

[58] Field of Search ..... D16/246, 247; 354/297, 307, 312, 316; 355/27, 28

[56] **References Cited**

**U.S. PATENT DOCUMENTS**

D. 221,024	6/1971	Lee	.....	D16/246
D. 232,192	7/1974	Vigna	.....	D16/246
D. 321,201	10/1991	Lecomte	.....	D16/246
3,524,396	8/1970	Blinoff, Jr.	.....	354/312

**FOREIGN PATENT DOCUMENTS**

1-211758 8/1989 Japan ..... 354/312

*Primary Examiner*—Ted Shooman  
*Assistant Examiner*—Adir Aronovich  
*Attorney, Agent, or Firm*—Leslie Payne

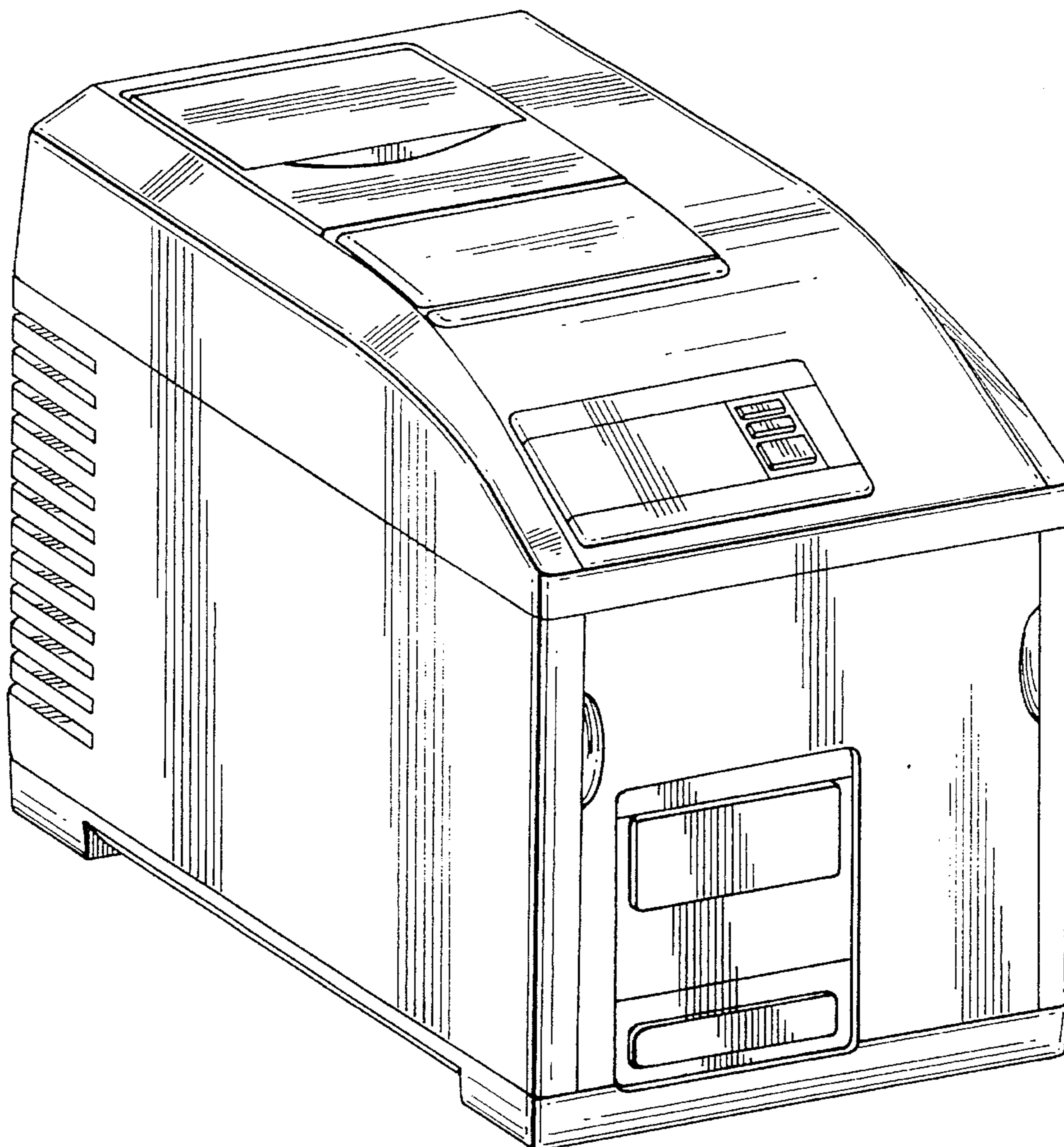
[57] **CLAIM**

The ornamental design for an automatic film processor for self-developing peel-apart film, as shown and described.

**DESCRIPTION**

FIG. 1 is a perspective view of an automatic processor for self-developing peel-apart film showing our new design; FIG. 2 is a top plan view of the processor of FIG. 1; FIG. 3 is a right side elevational view of the processor of FIG. 1; FIG. 4 is a left side elevational view of the processor of FIG. 1; FIG. 5 is a front elevational view of the processor of FIG. 1; FIG. 6 is a rear elevational view of the processor of FIG. 1; and, FIG. 7 is a bottom plan view of the processor of FIG. 1.

**1 Claim, 7 Drawing Sheets**



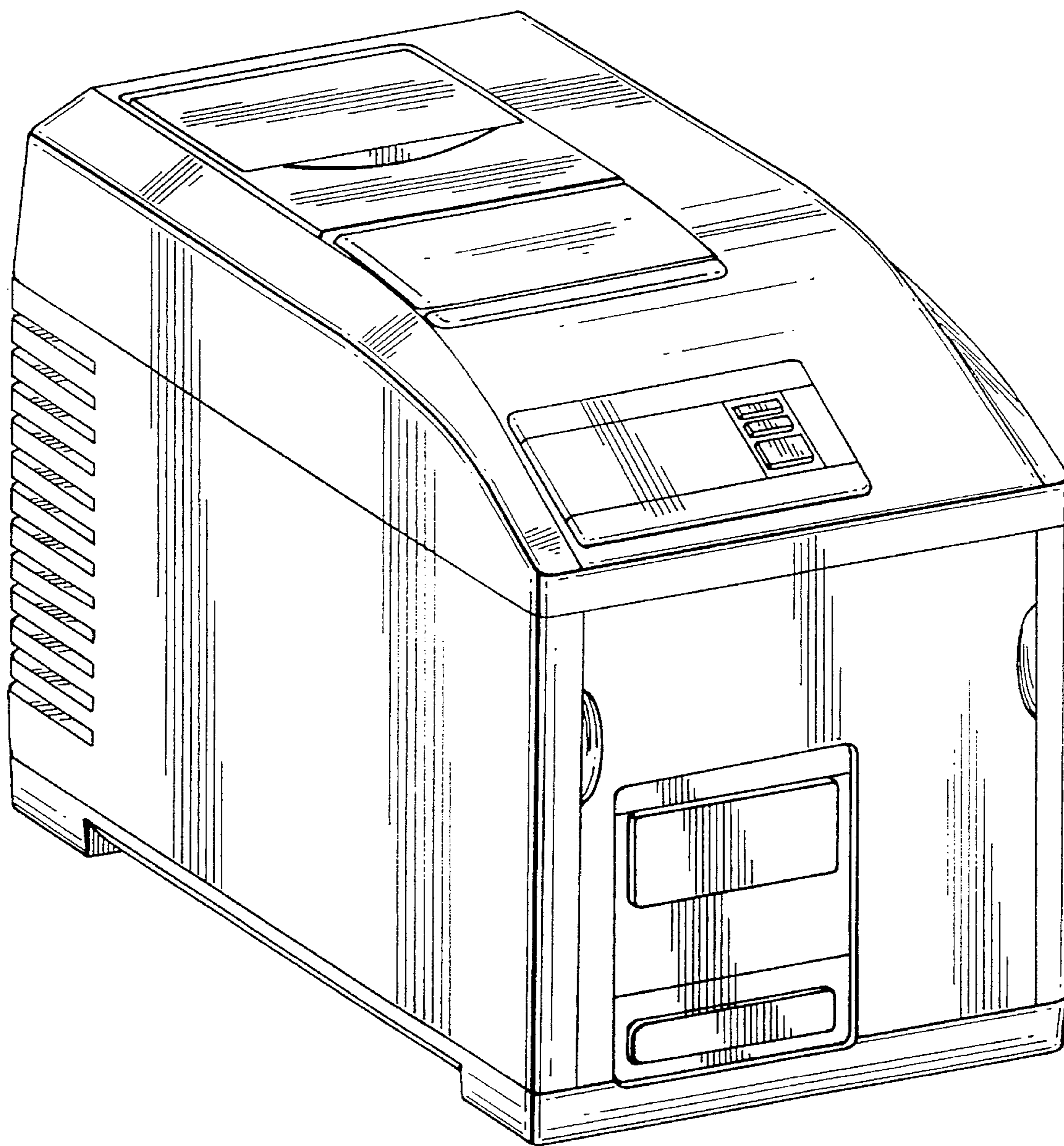


FIG. 1

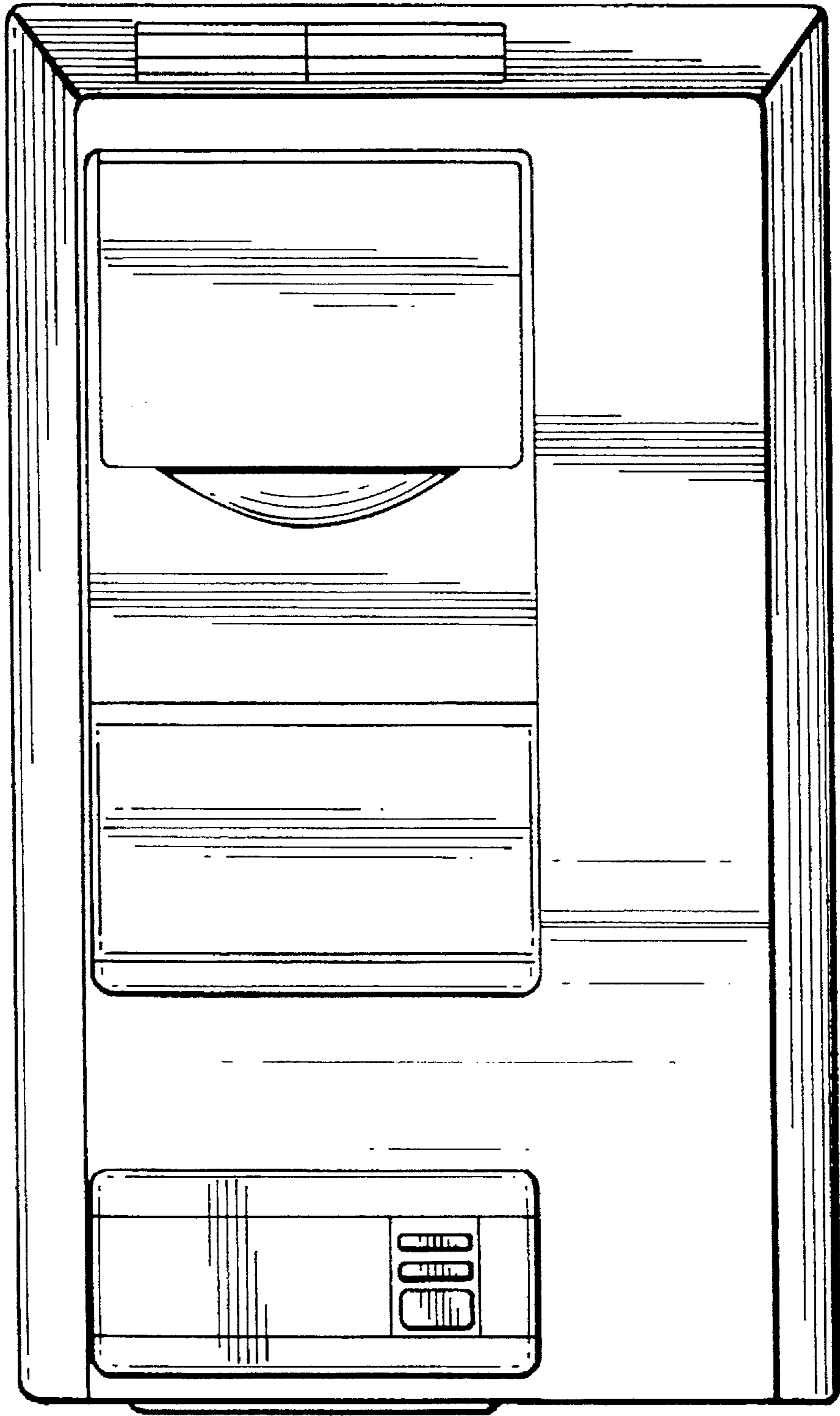


FIG. 2

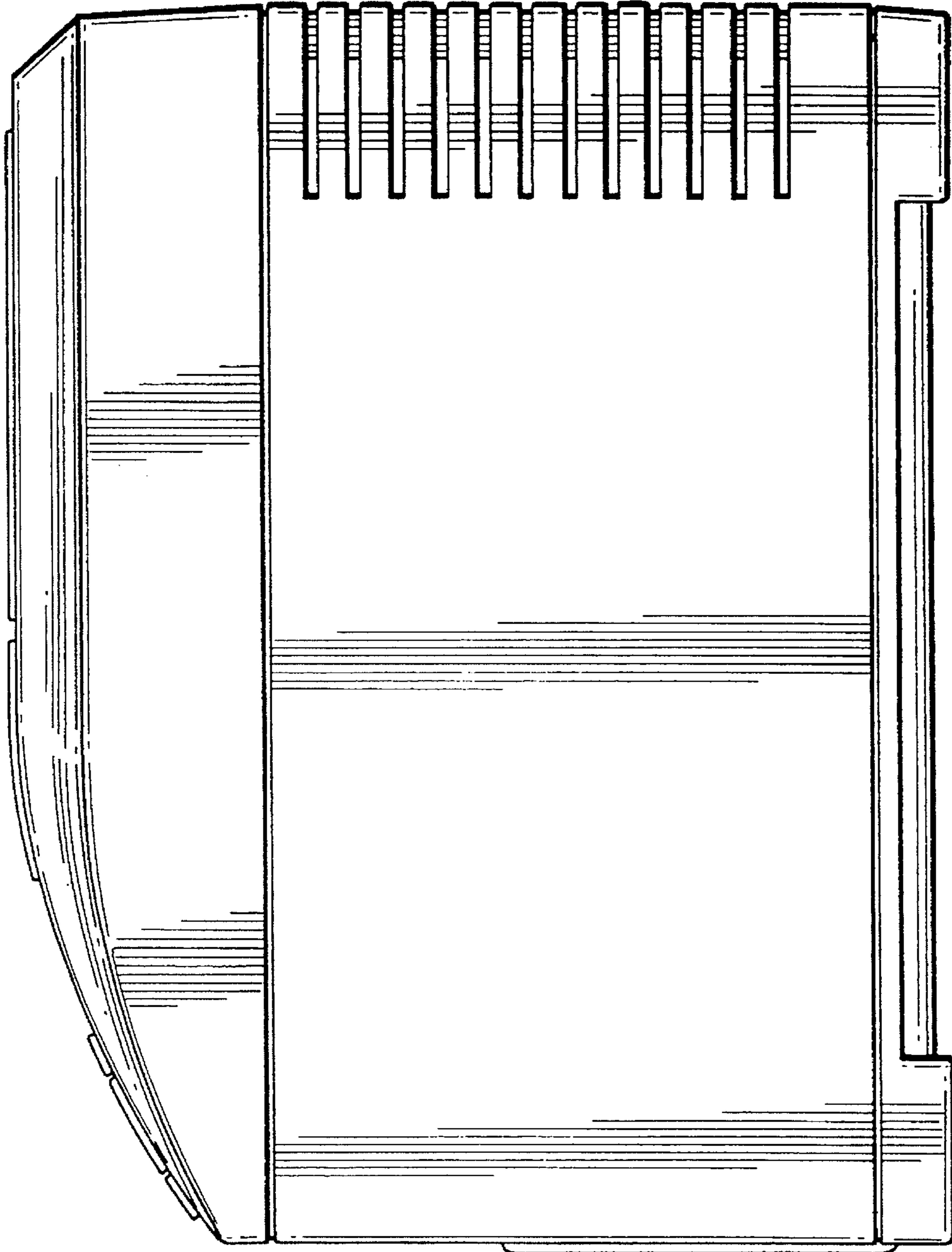


FIG. 3

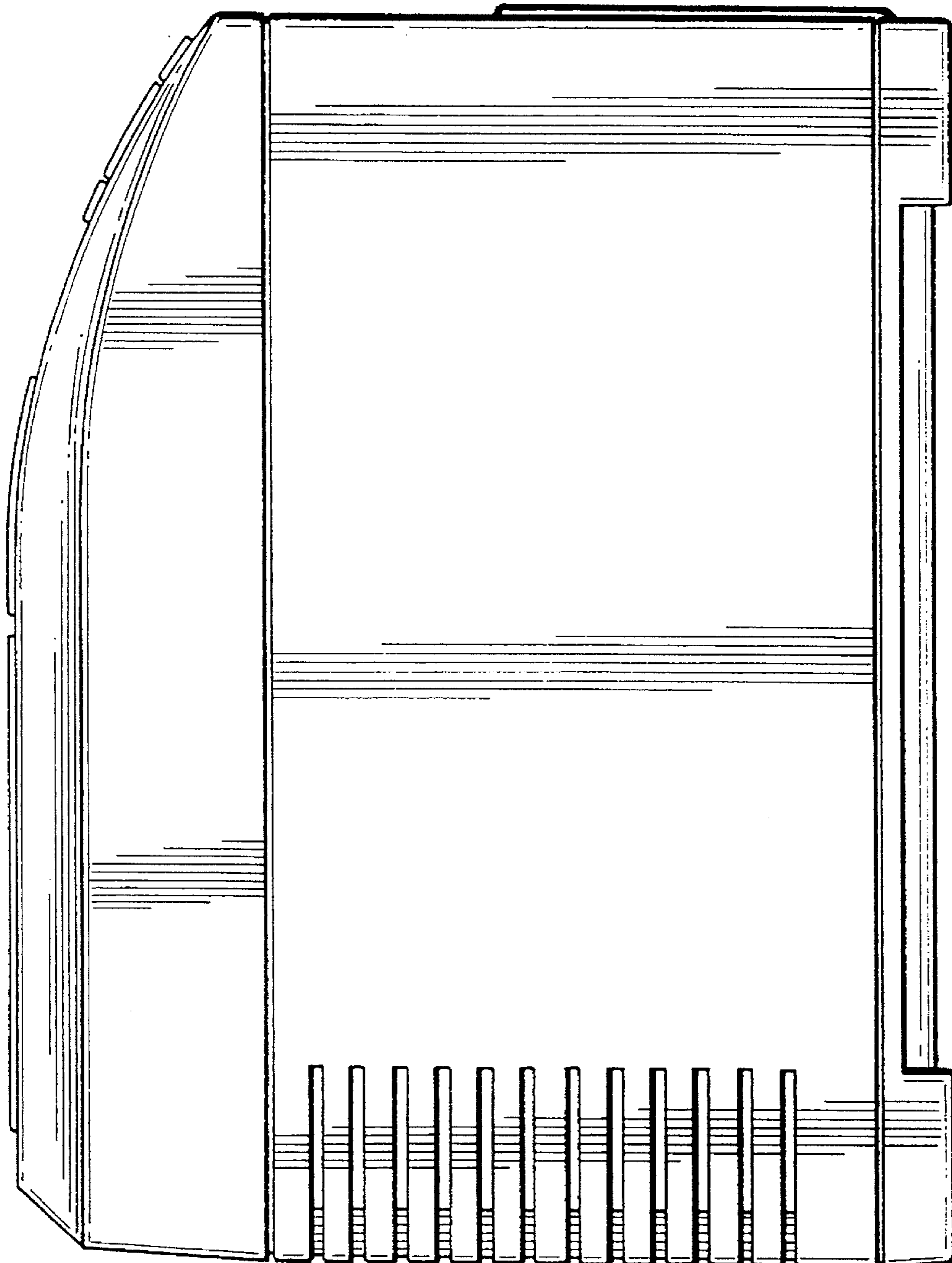


FIG. 4

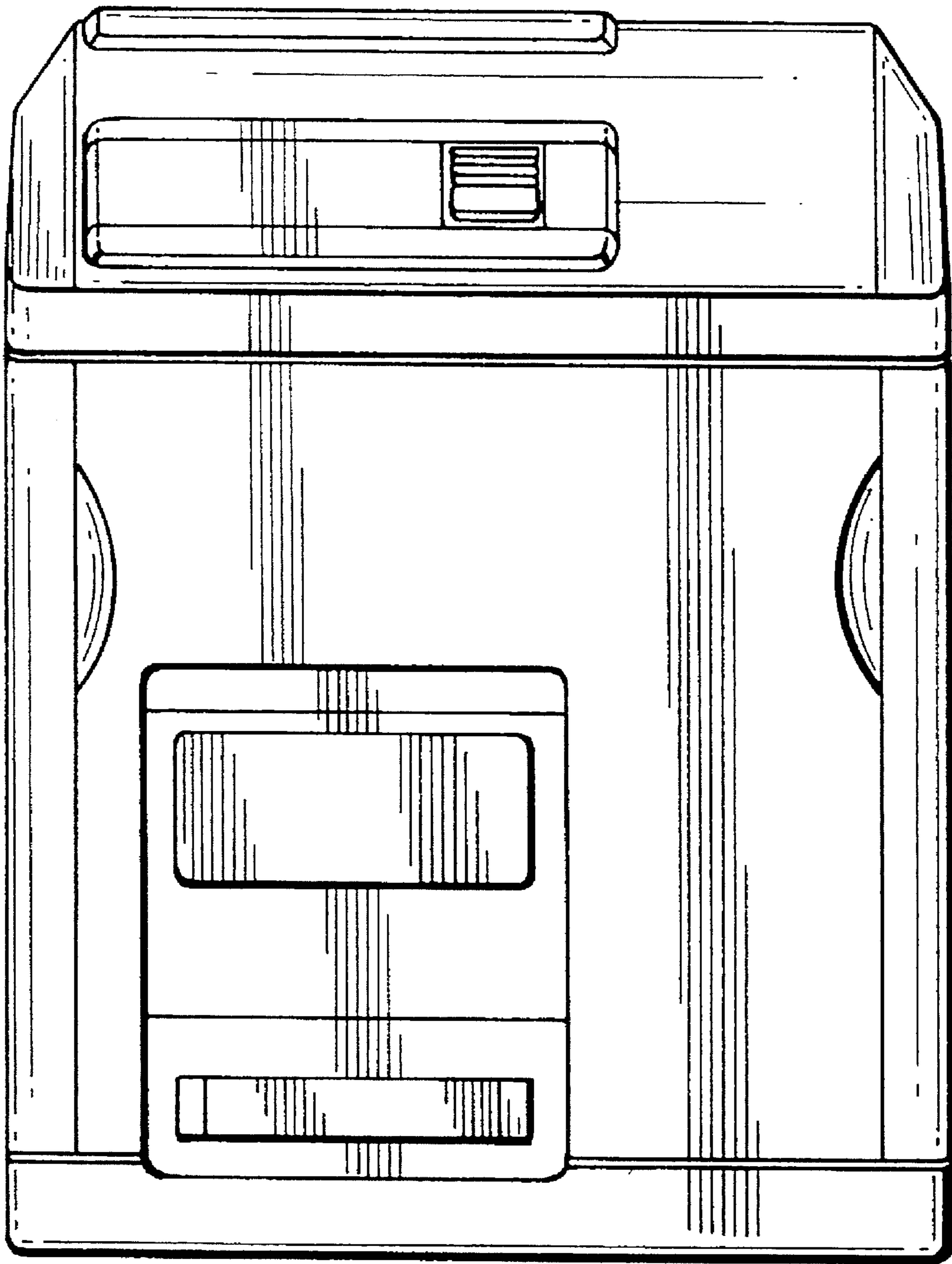


FIG. 5

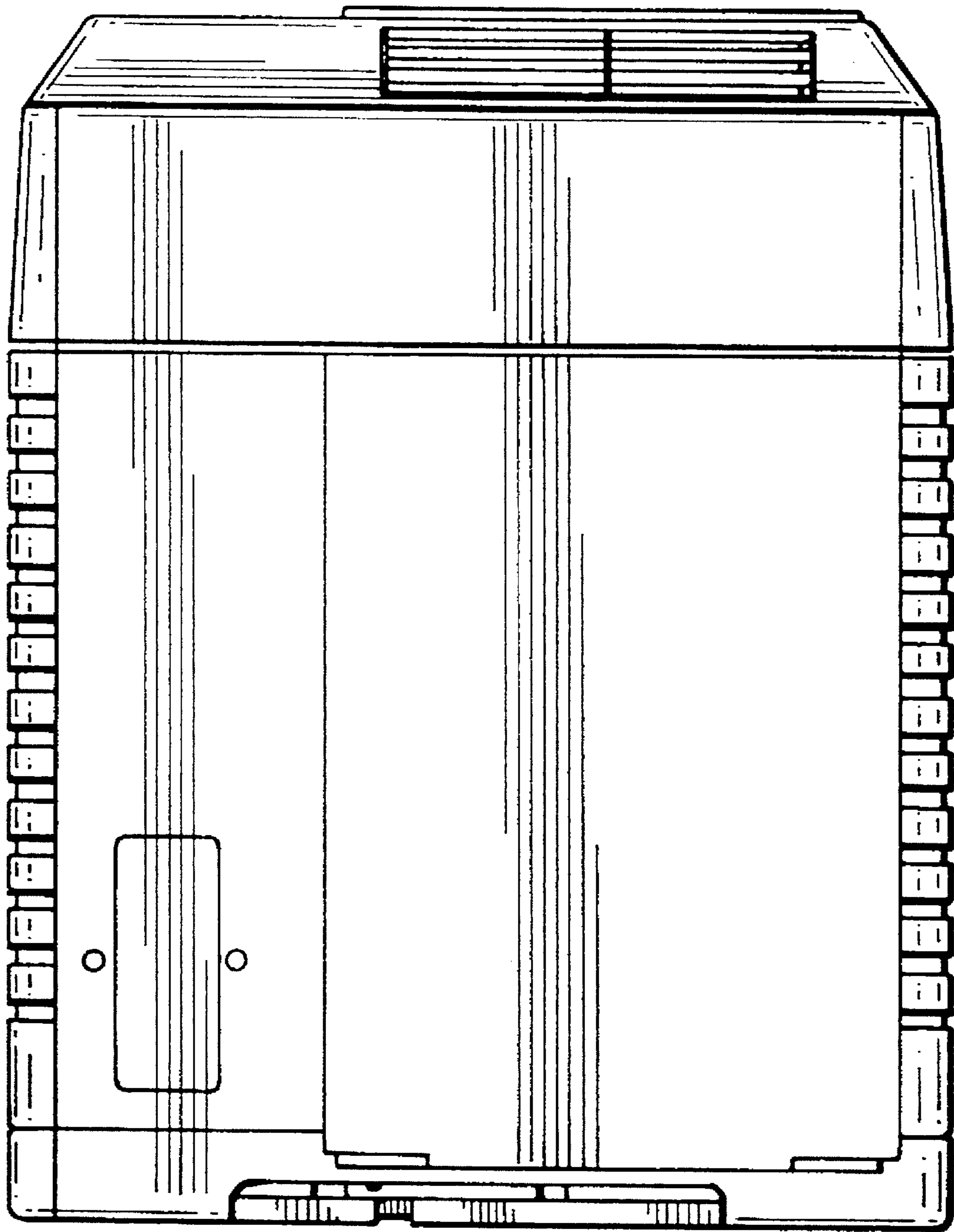


FIG. 6

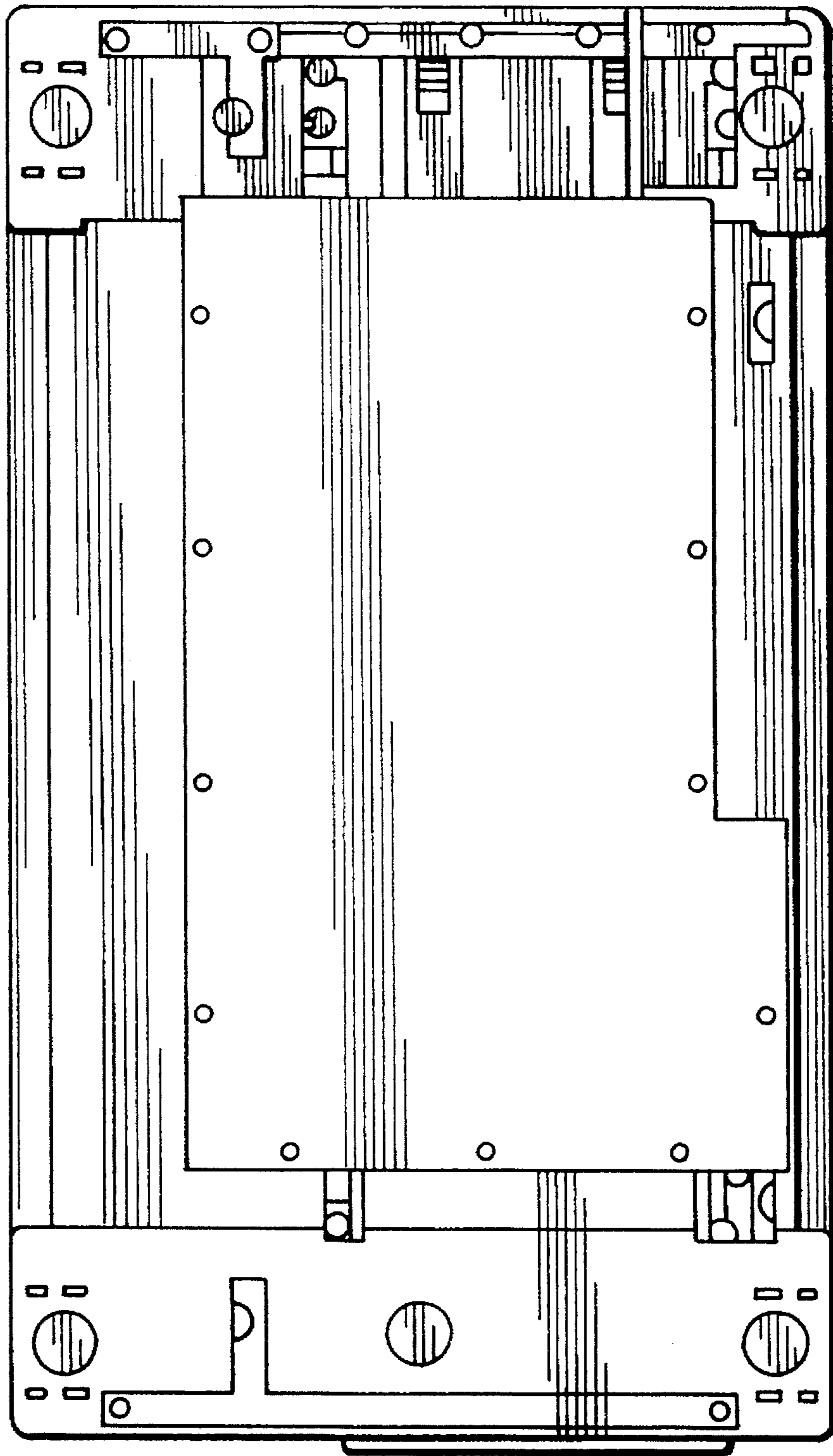


FIG. 7