



US00D371562S

United States Patent [19]
Rushfeldt

[11] **Patent Number: Des. 371,562**

[45] **Date of Patent: **Jul. 9, 1996**

[54] **PUMP PISTON**

[76] Inventor: **Randy Rushfeldt**, P.O. Box 419,
Oxbow, SK, Canada, S0C 2B0

[**] Term: **14 Years**

[21] Appl. No.: **27,984**

[22] Filed: **Sep. 6, 1994**

[52] **U.S. Cl.** **D15/7**

[58] **Field of Search** D15/1-9.2; 417/545

[56] **References Cited**

U.S. PATENT DOCUMENTS

D. 286,781	11/1986	Collyear et al.	D15/5
D. 295,753	5/1988	La Bair	D15/7
56,347	10/1920	Farmer	D15/5
4,923,373	5/1990	Rothaar et al.	417/545

Primary Examiner—Ralf Seifert
Attorney, Agent, or Firm—H. Jay Spiegel

[57] **CLAIM**

The ornamental design for a pump piston, as shown and described.

DESCRIPTION

FIG. 1 shows an exploded side view of my claimed design of which the other side view is identical;

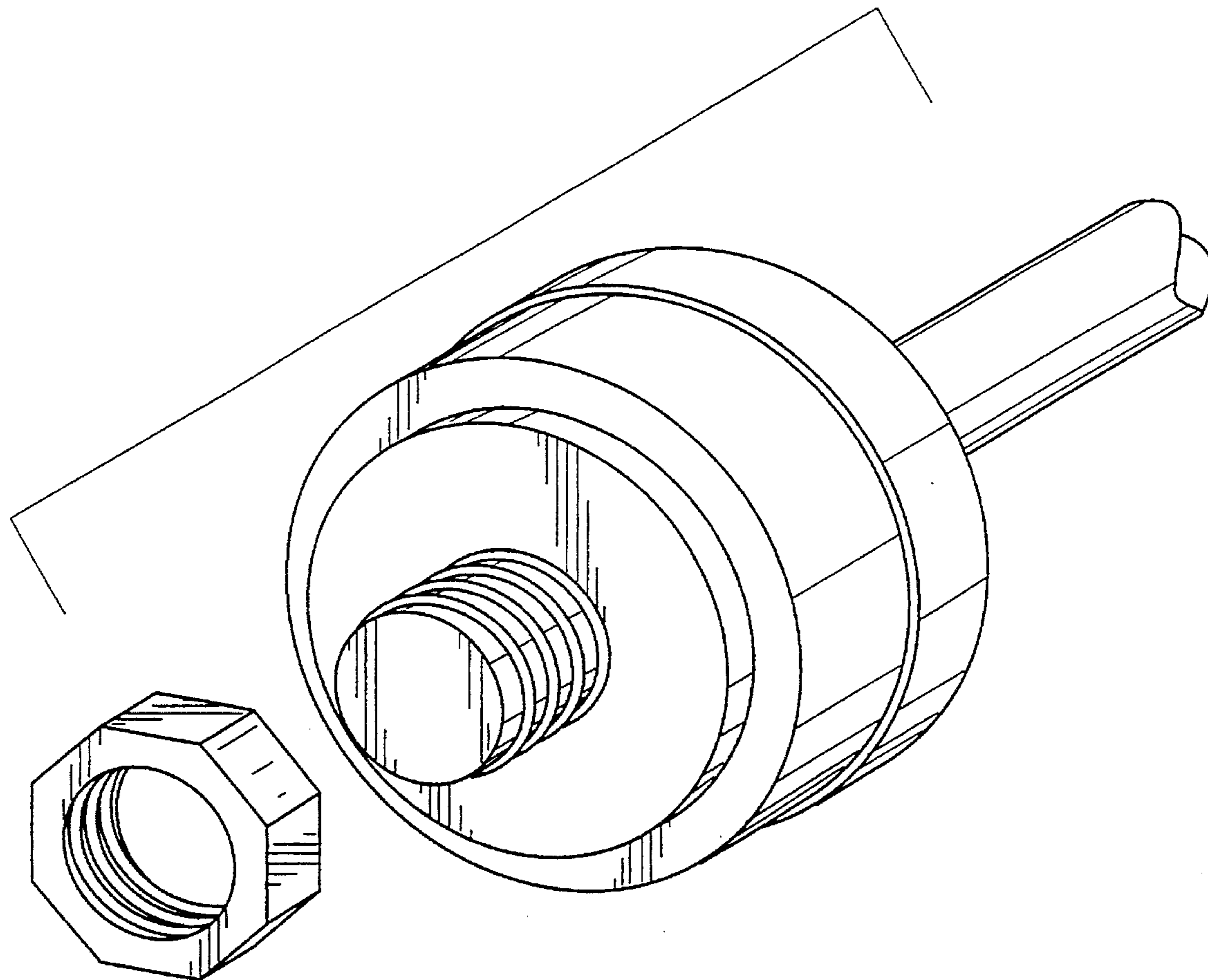
FIG. 2 shows a front view of my claimed design;

FIG. 3 shows a rear view of my claimed design;

FIG. 4 shows a front perspective view of my claimed design; and,

FIG. 5 shows a rear perspective view of my claimed design.

1 Claim, 3 Drawing Sheets



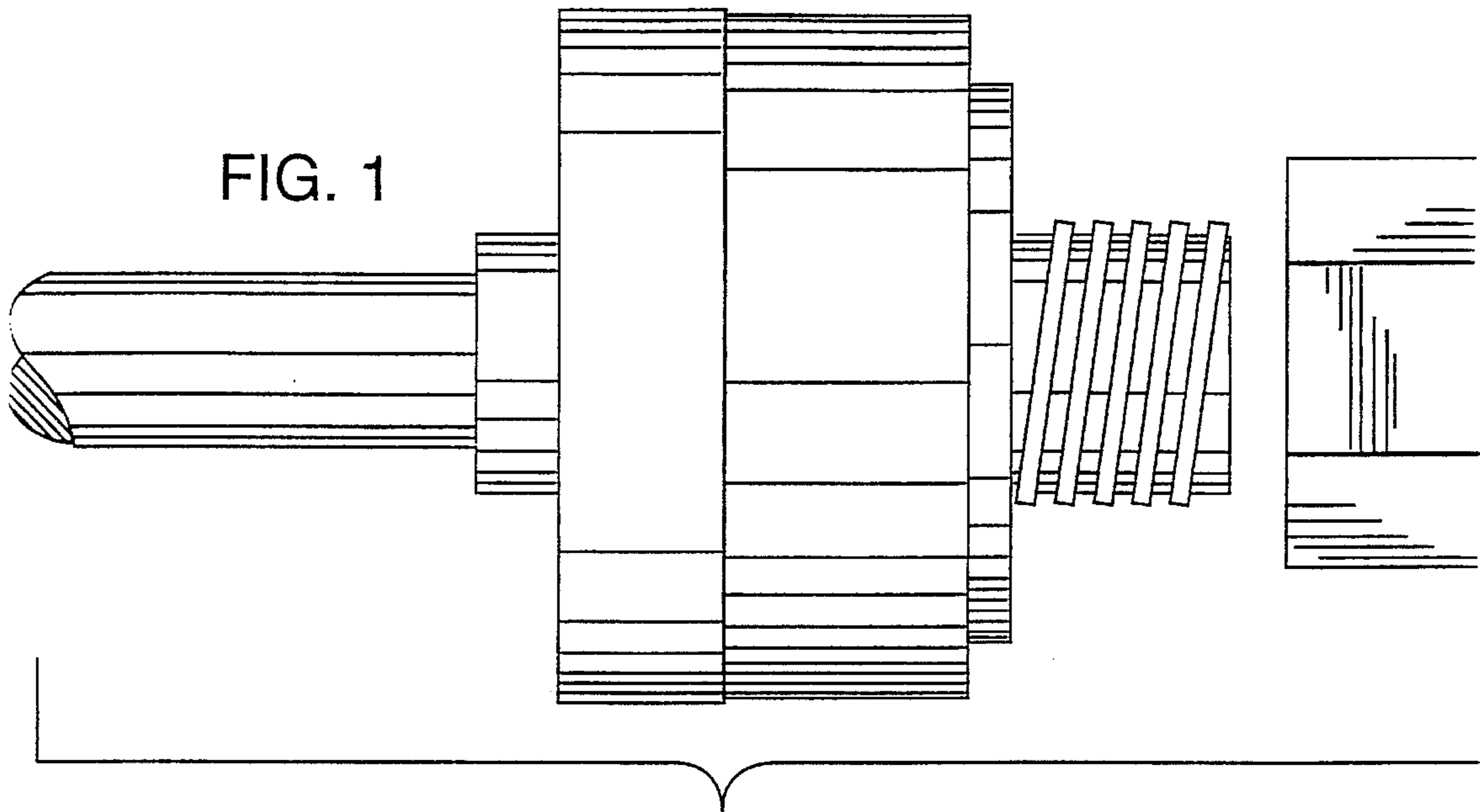


FIG. 2

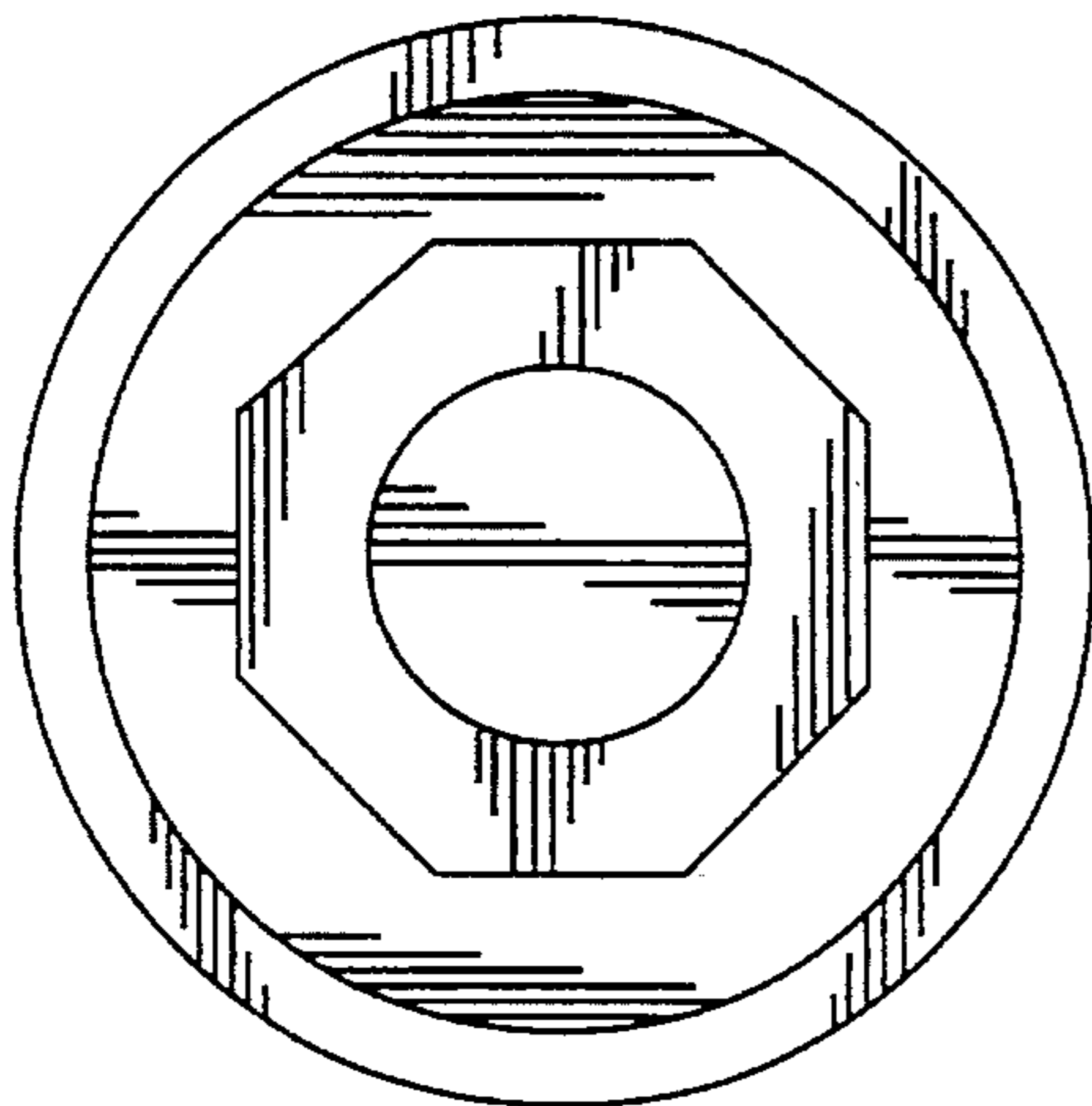
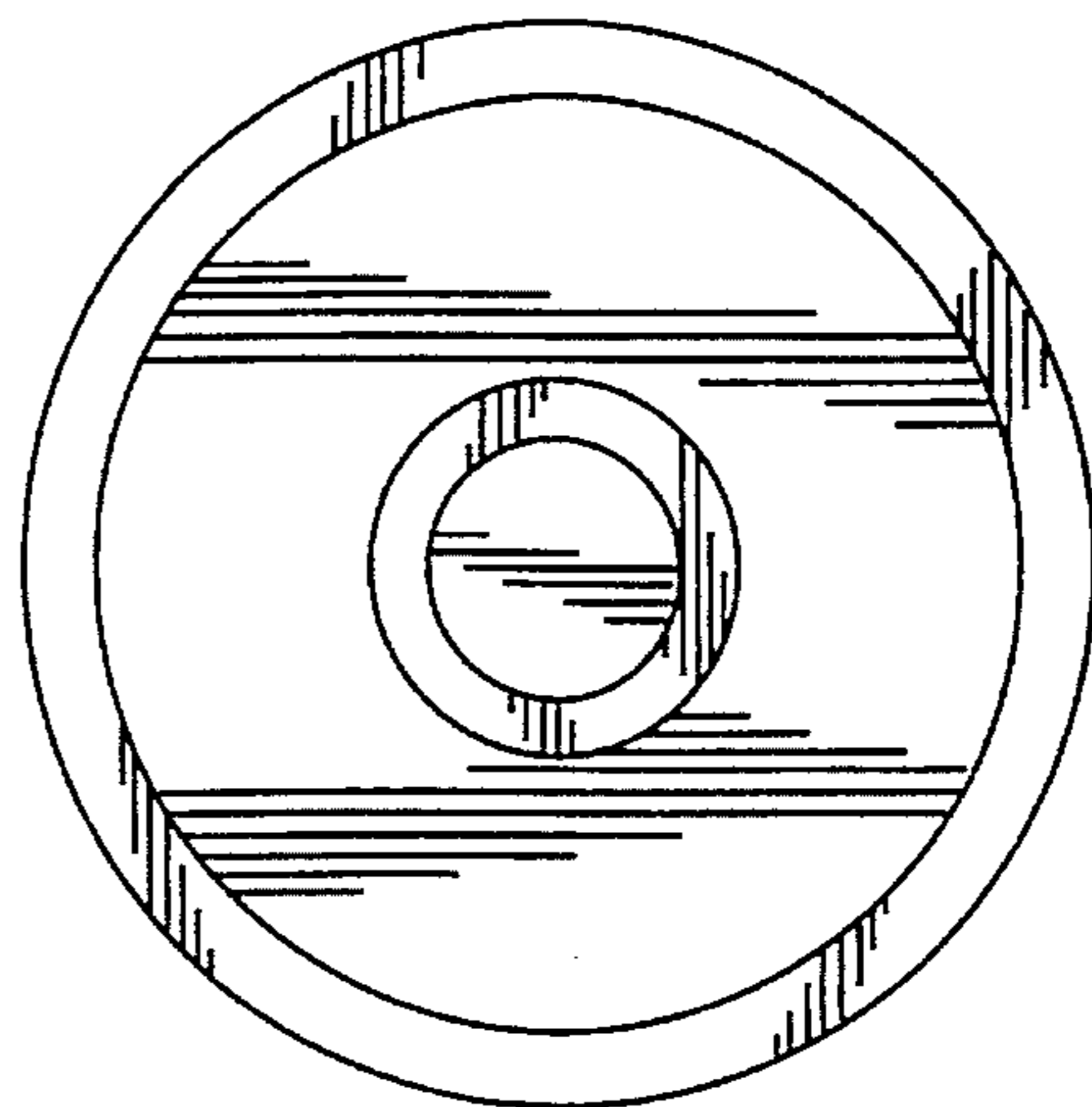


FIG. 3



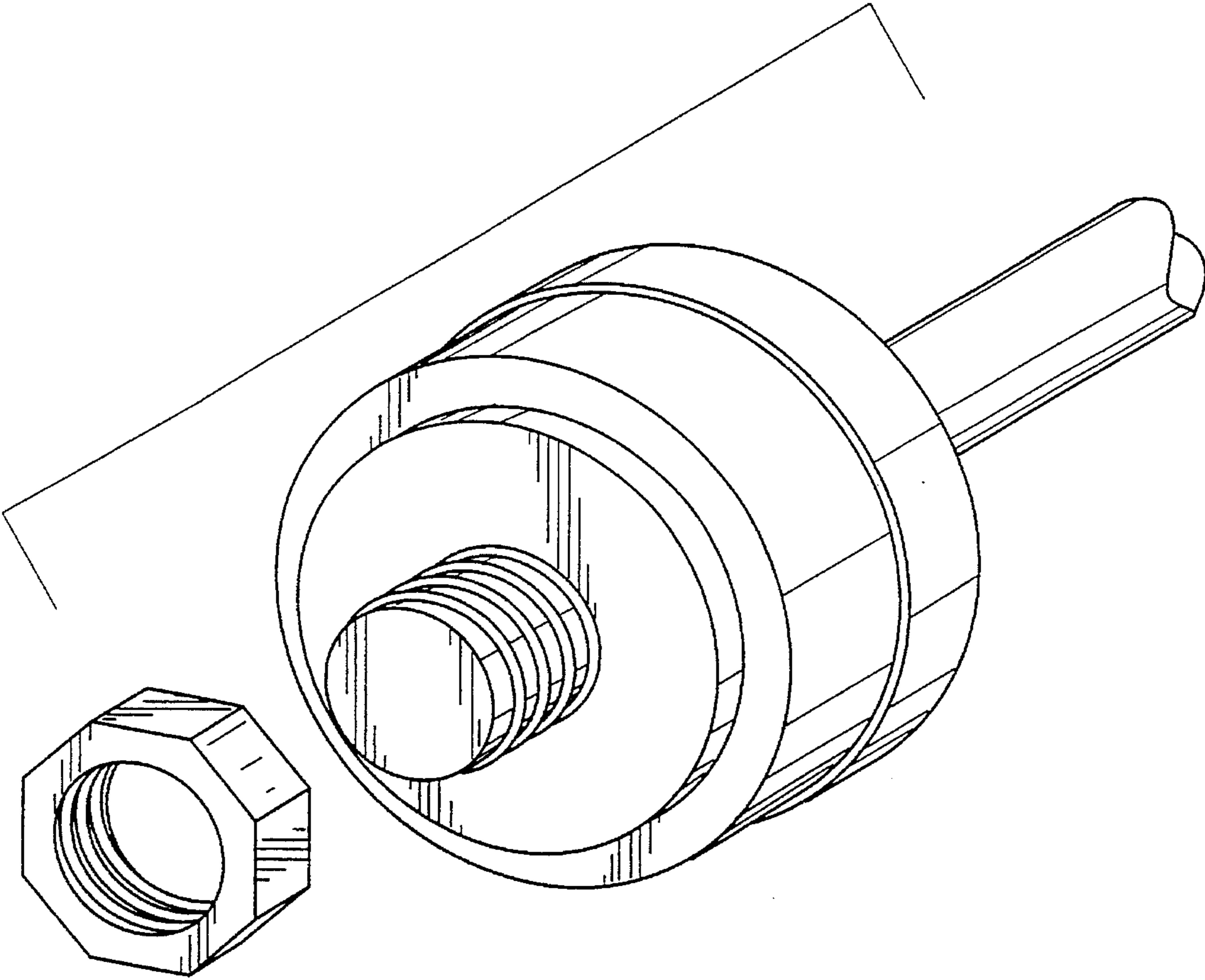


FIG. 4

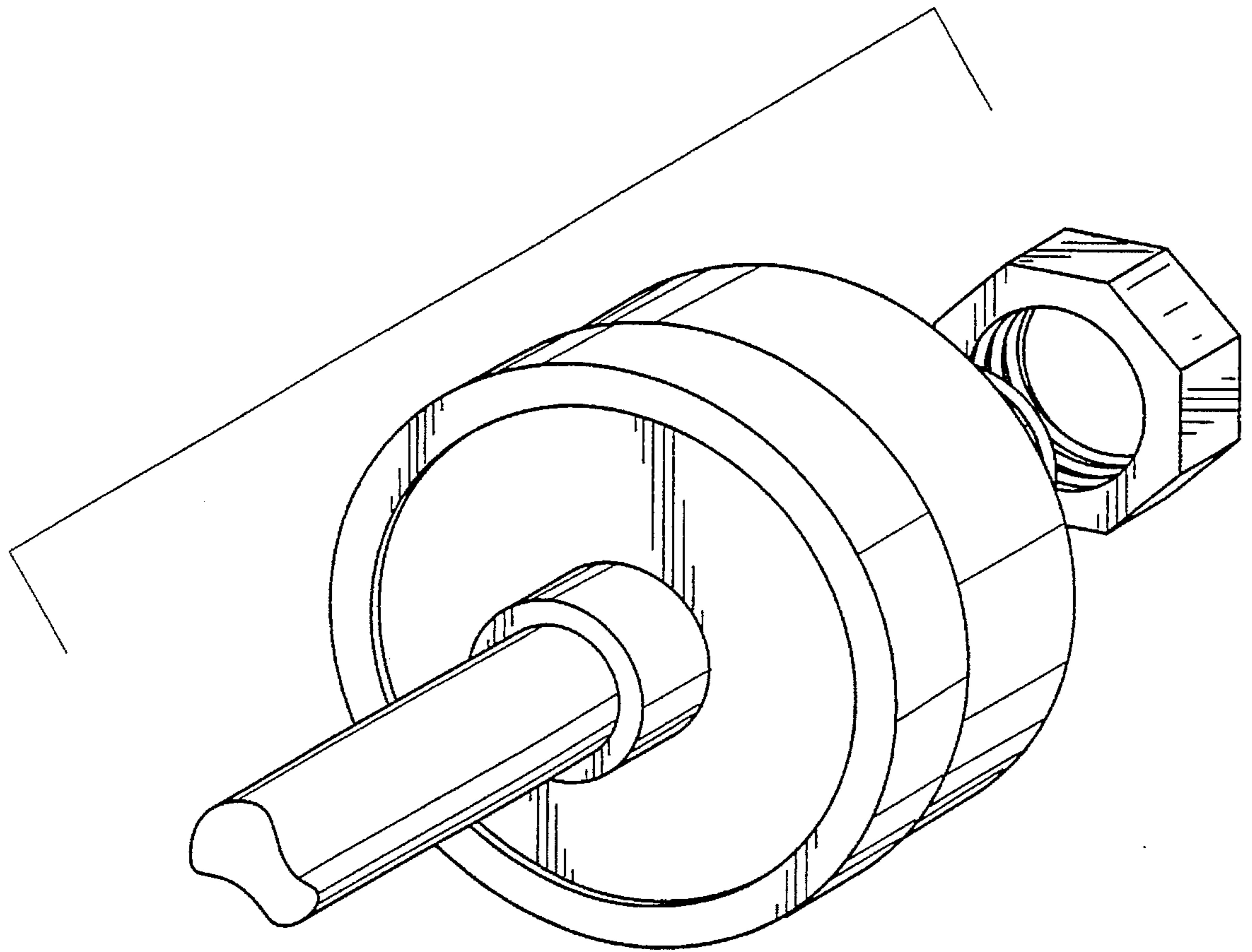


FIG. 5