



US00D371561S

United States Patent [19]
Layre

[11] **Patent Number:** **Des. 371,561**

[45] **Date of Patent:** ****Jul. 9, 1996**

[54] **CARBURETOR ADAPTER**

[76] **Inventor:** **Kenneth A. Layre**, 103 Independence Dr., Morrisville, Pa. 19067

[**] **Term:** **14 Years**

[21] **Appl. No.:** **37,891**

[22] **Filed:** **Apr. 24, 1995**

[52] **U.S. Cl.** **D15/6**

[58] **Field of Search** D15/1-5; 261/44;
123/52 M, 41.27, 41.73, 41.1

[56] **References Cited**

U.S. PATENT DOCUMENTS

D. 218,493	8/1970	Garner	D15/6
D. 220,730	5/1971	Weiand	D15/5
D. 304,948	5/1989	Davis et al.	D15/5
D. 321,888	11/1991	Brotherton	D15/5

Primary Examiner—Ralf Seifert
Attorney, Agent, or Firm—Panitch Schwarze Jacobs & Nadel

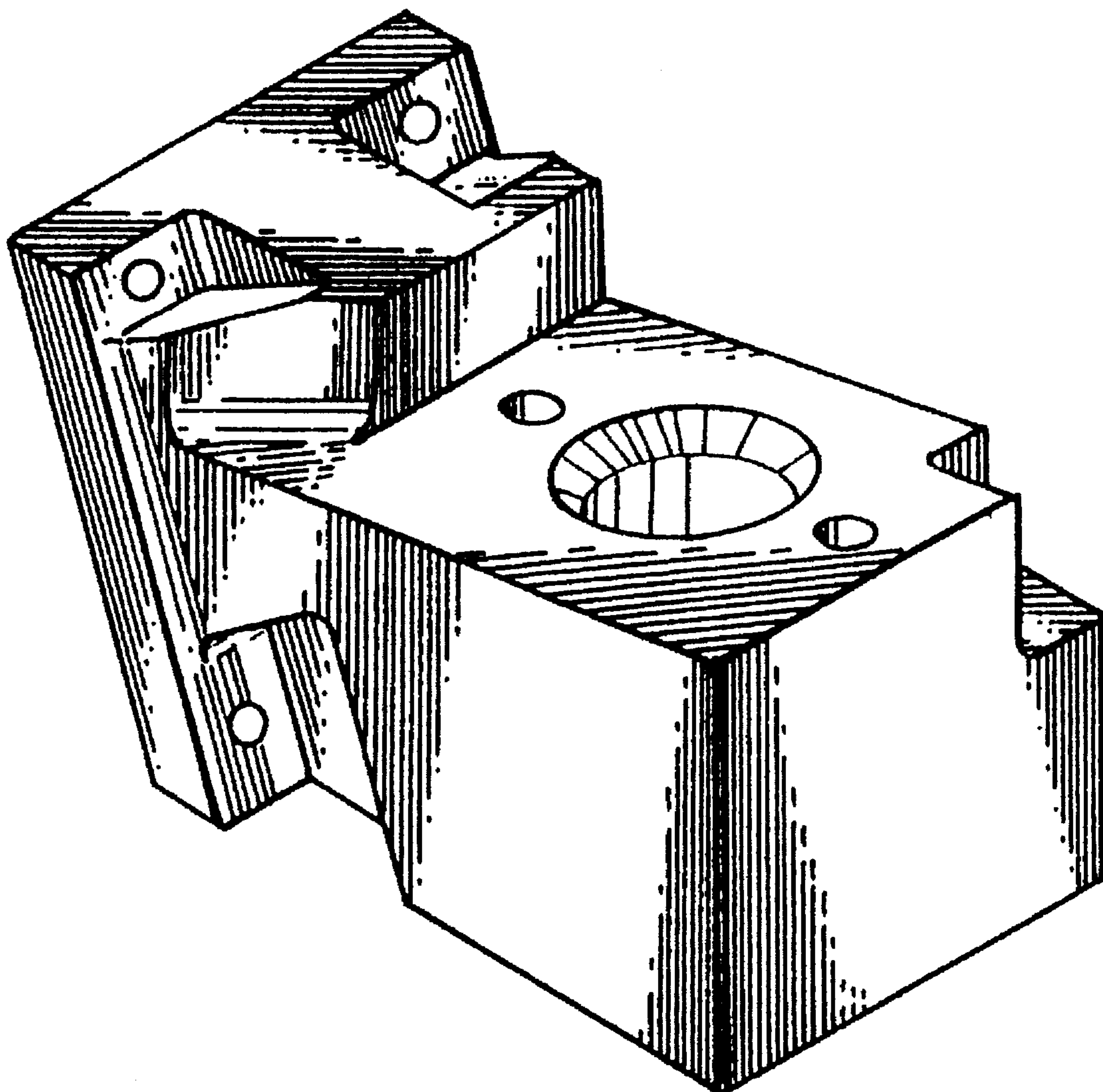
[57] **CLAIM**

The ornamental design for a carburetor adapter, as shown and described.

DESCRIPTION

FIG. 1 is a perspective view of a carburetor adapter showing my new designs;
FIG. 2 is a rear elevational view thereof;
FIG. 3 is a front elevational view thereof;
FIG. 4 is a top plan view thereof;
FIG. 5 is a bottom plan view thereof;
FIG. 6 is a left side elevational view thereof; and,
FIG. 7 is a right side elevational view thereof.

1 Claim, 1 Drawing Sheet



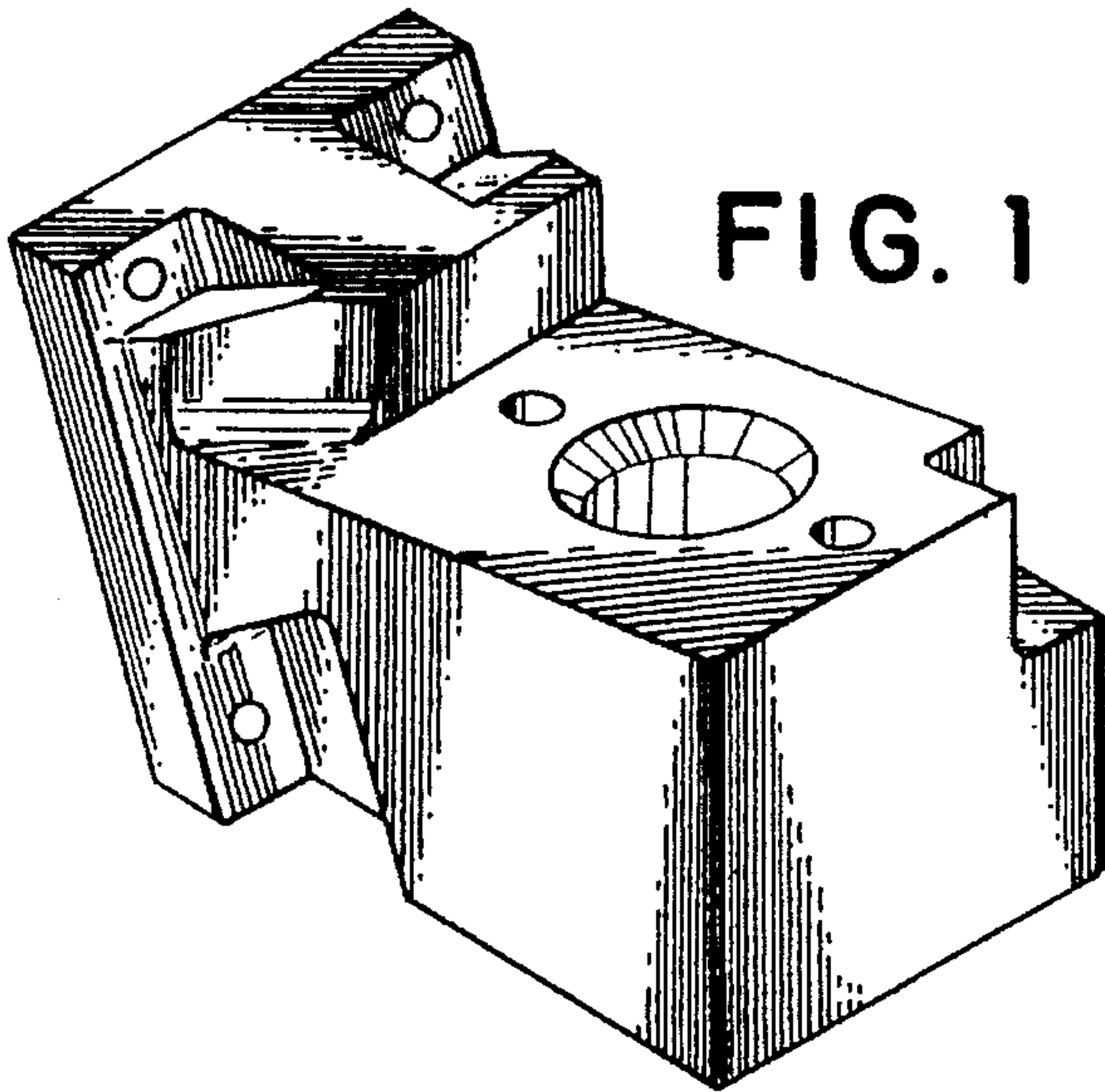


FIG. 2

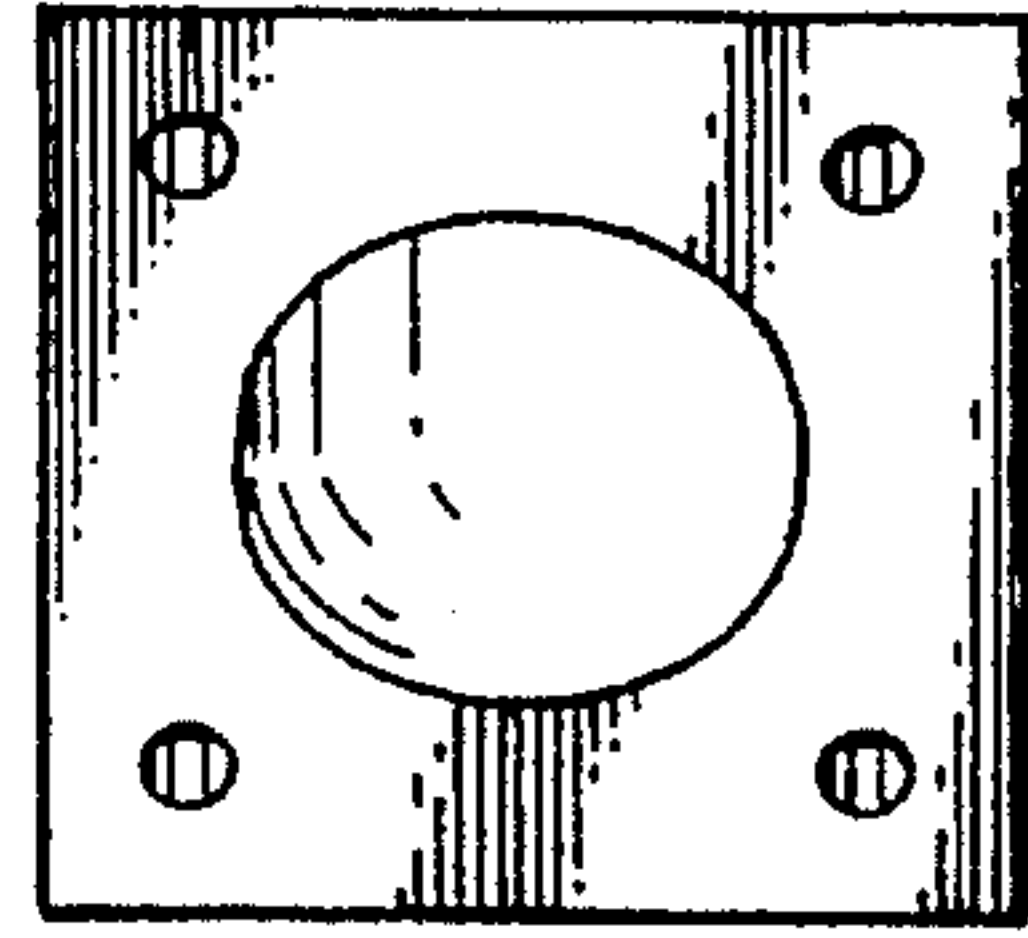


FIG. 3

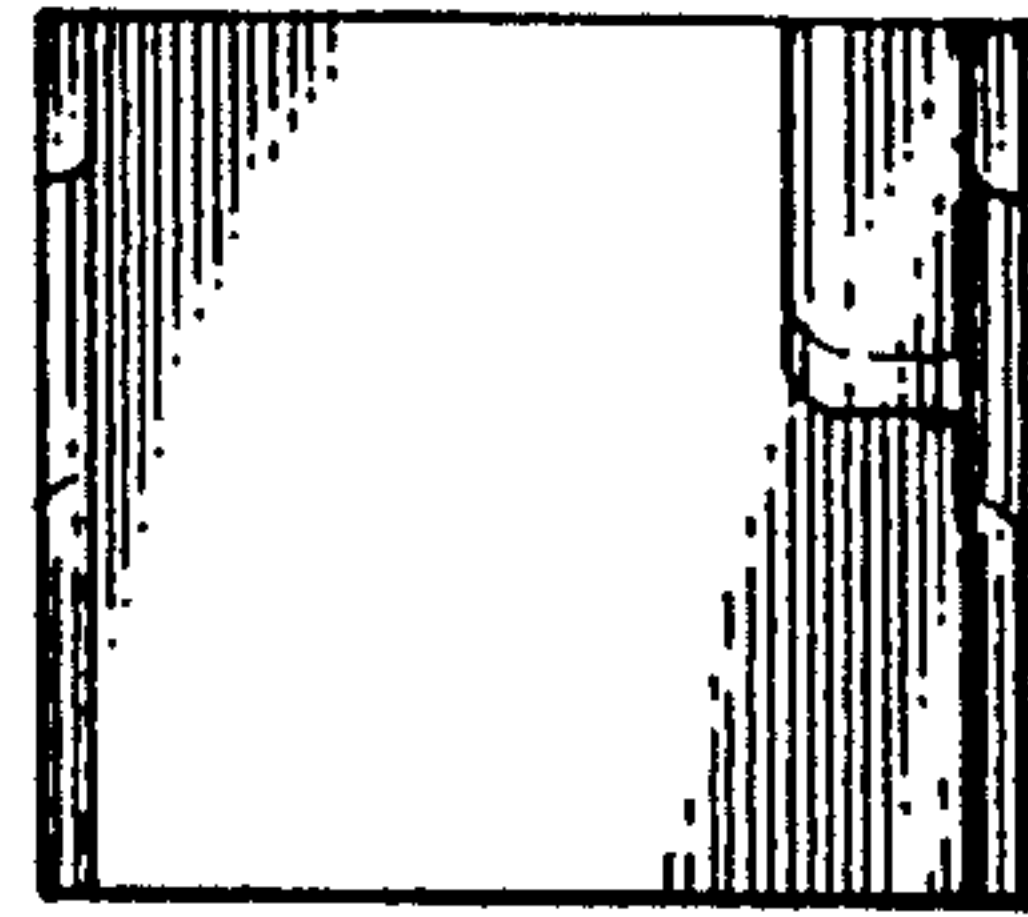


FIG. 4

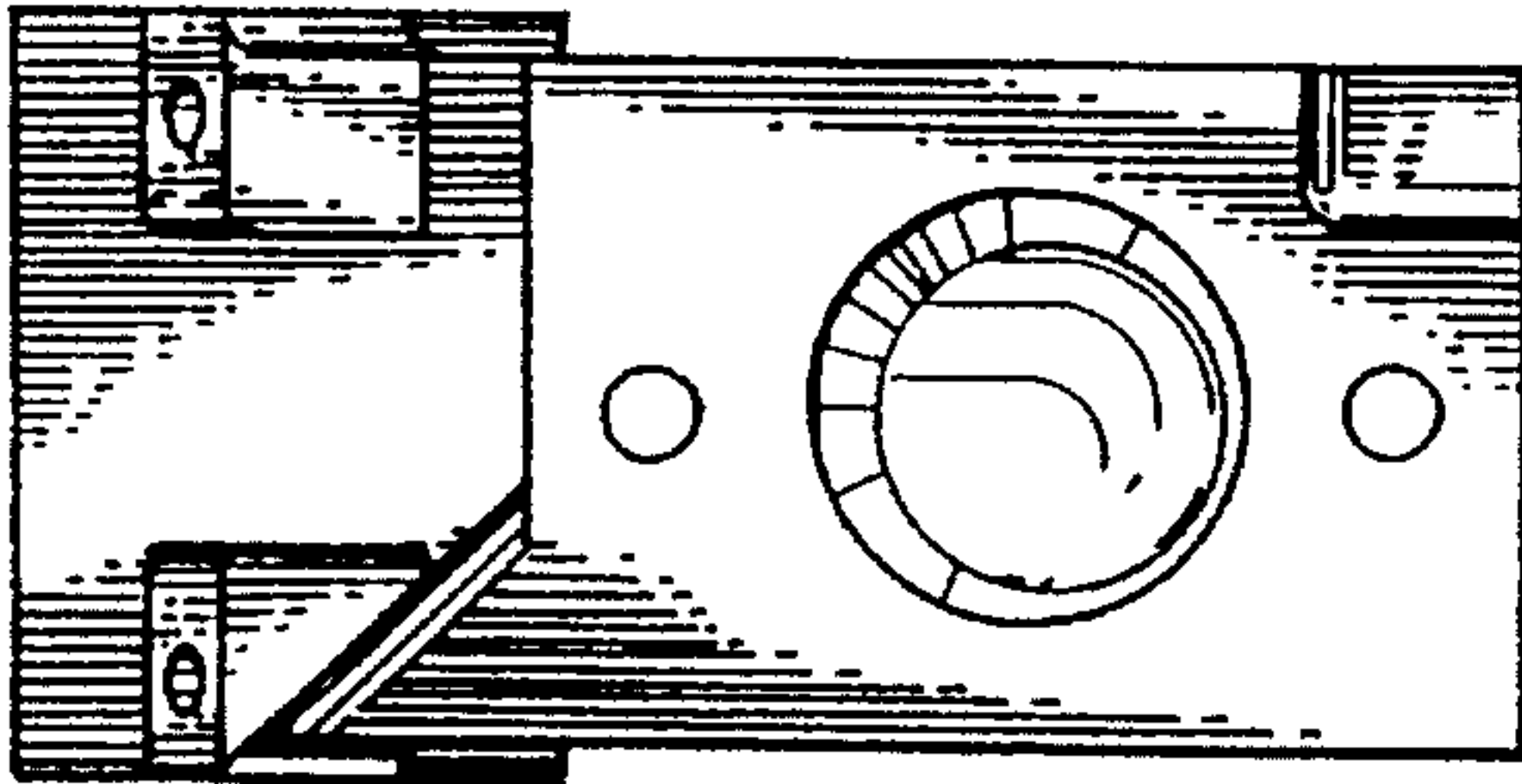


FIG. 5

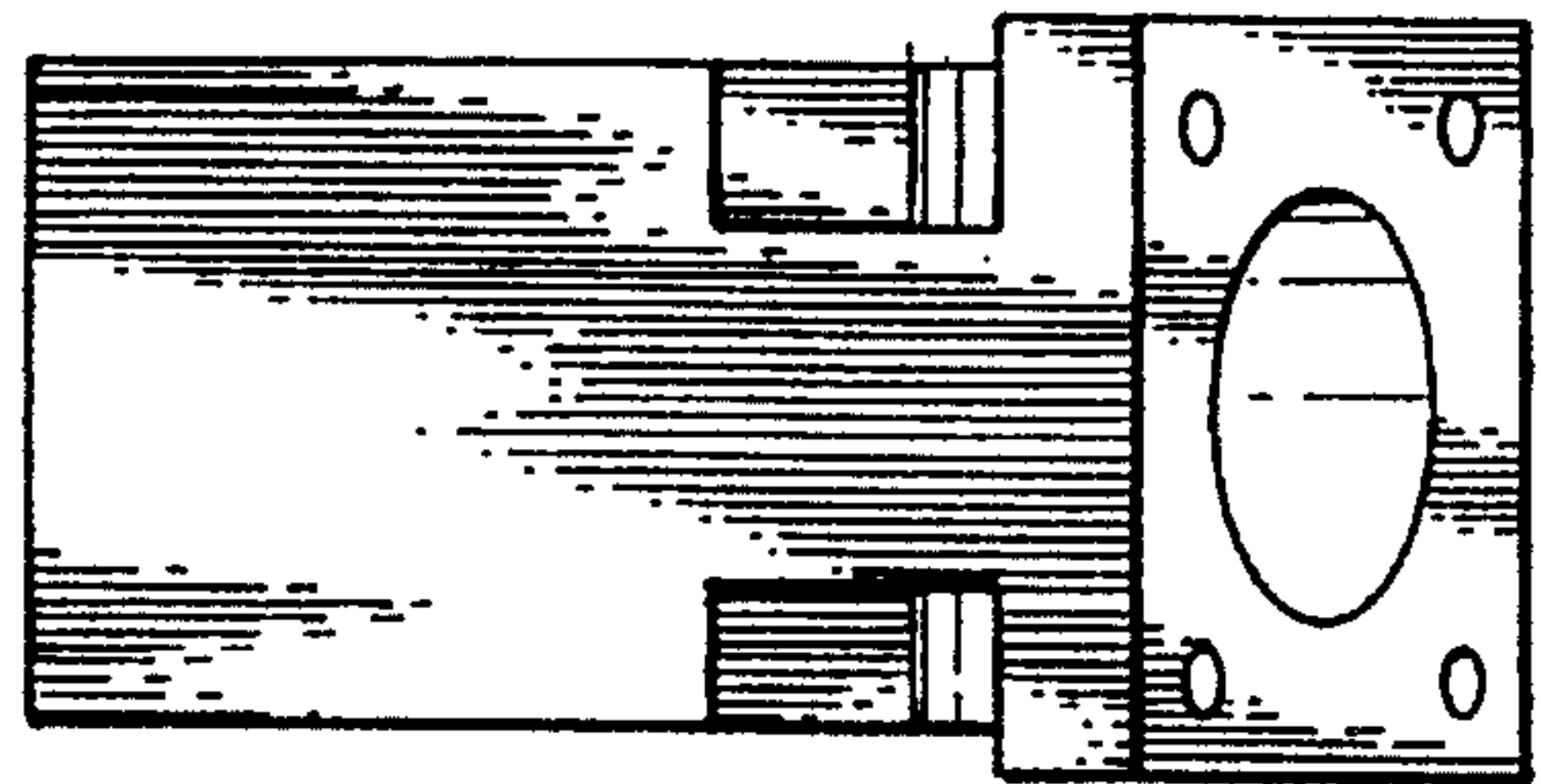


FIG. 6

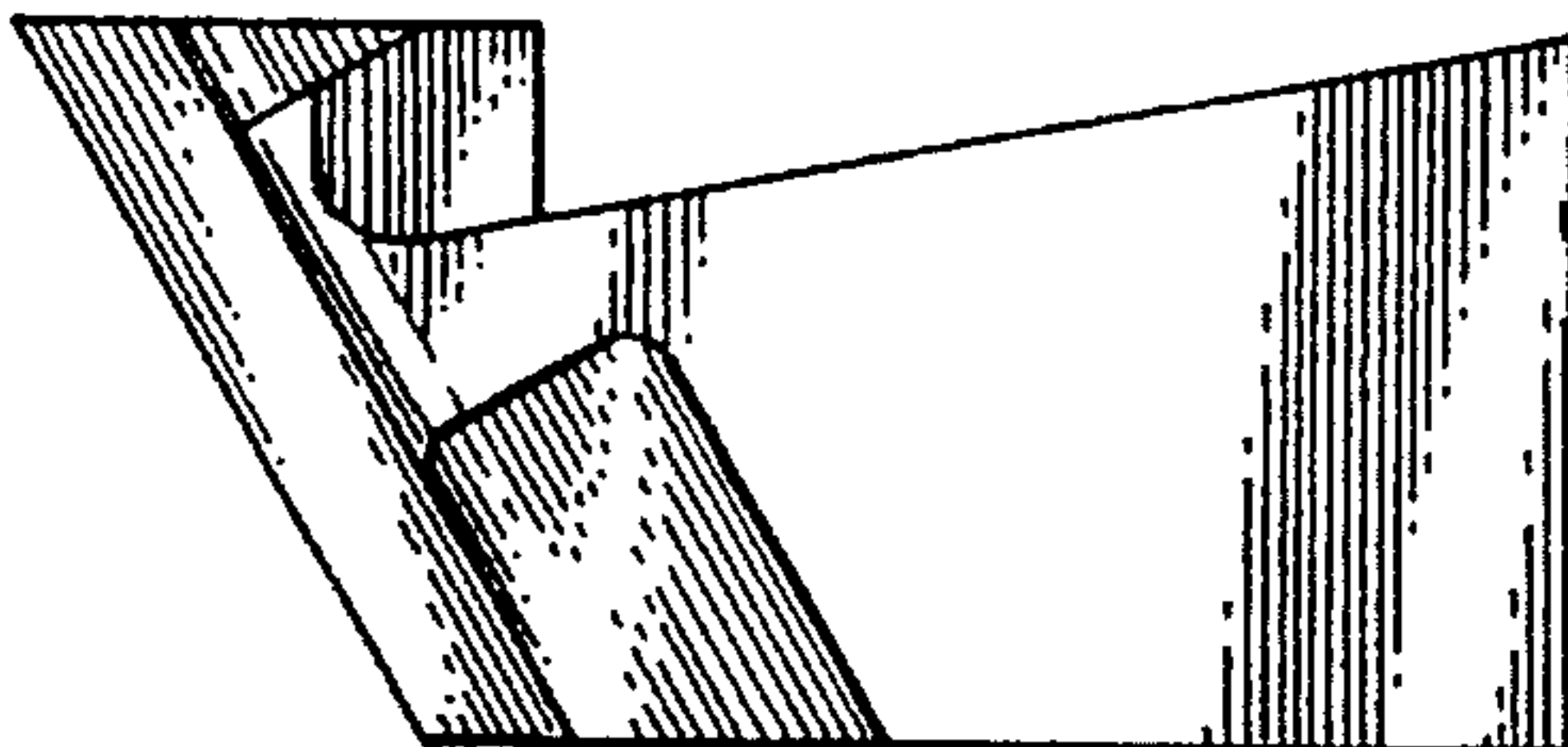


FIG. 7

