



US00D371560S

United States Patent [19]

[11] Patent Number: **Des. 371,560**

Fenton et al.

[45] Date of Patent: ****Jul. 9, 1996**

[54] ANTENNA MODULE

D. 355,173 2/1995 Fenton et al. D14/299 X

[75] Inventors: **William E. Fenton**, Coquitlam; **Brian Redman**, Richmond, both of Canada

Primary Examiner—Dominic Simone
Attorney, Agent, or Firm—Donna Rogers Maddox

[73] Assignee: **Motorola, Inc.**, Schaumburg, Ill.

[57] **CLAIM**

[**] Term: **14 Years**

The ornamental design for an antenna module, as shown and described.

[21] Appl. No.: **27,895**

[22] Filed: **Aug. 31, 1994**

[52] U.S. Cl. **D14/230**

[58] Field of Search D14/230, 238;
343/700 R, 720, 757, 785, 793, 805, 807,
872, 900, 901, 903

DESCRIPTION

FIG. 1 is a top, front and left side perspective view of an antenna module showing our new design wherein the lines shown in phantom are disclaimed;

FIG. 2 is a right side elevational view thereof;

FIG. 3 is a rear side elevational view thereof; and,

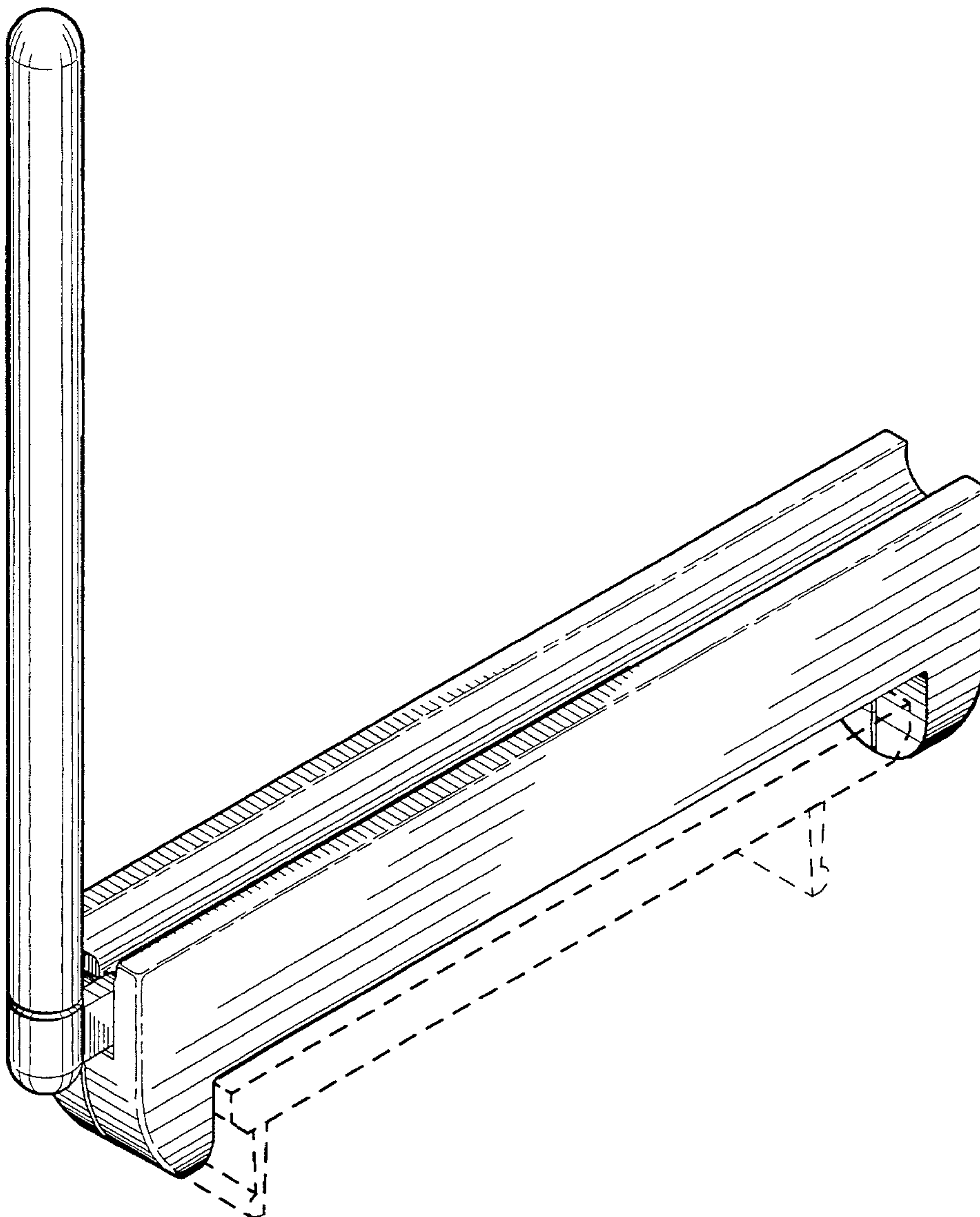
FIG. 4 is a bottom plan view thereof.

[56] **References Cited**

U.S. PATENT DOCUMENTS

D. 214,276 5/1969 Rogers D14/230

1 Claim, 2 Drawing Sheets



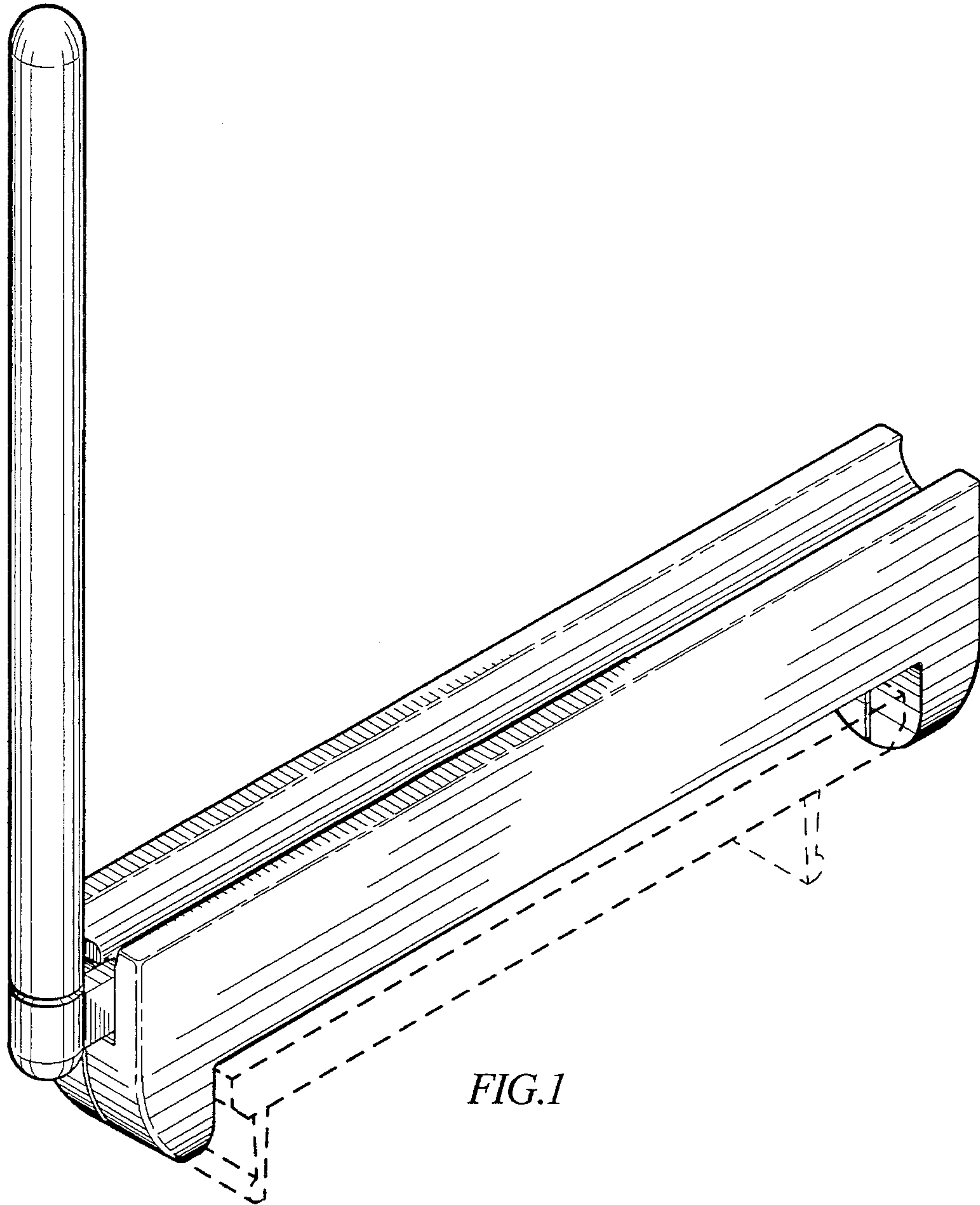


FIG. 1

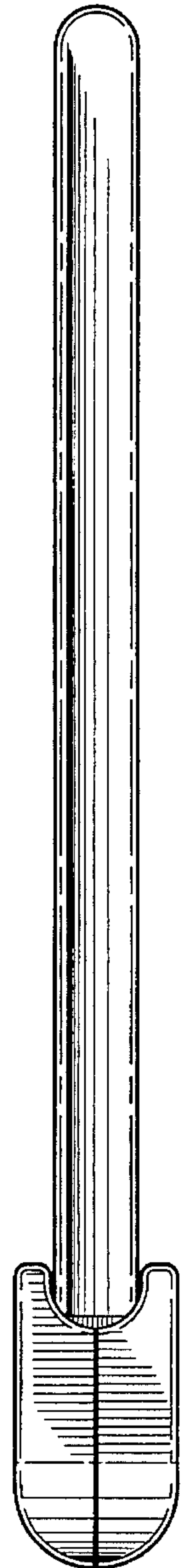


FIG. 2

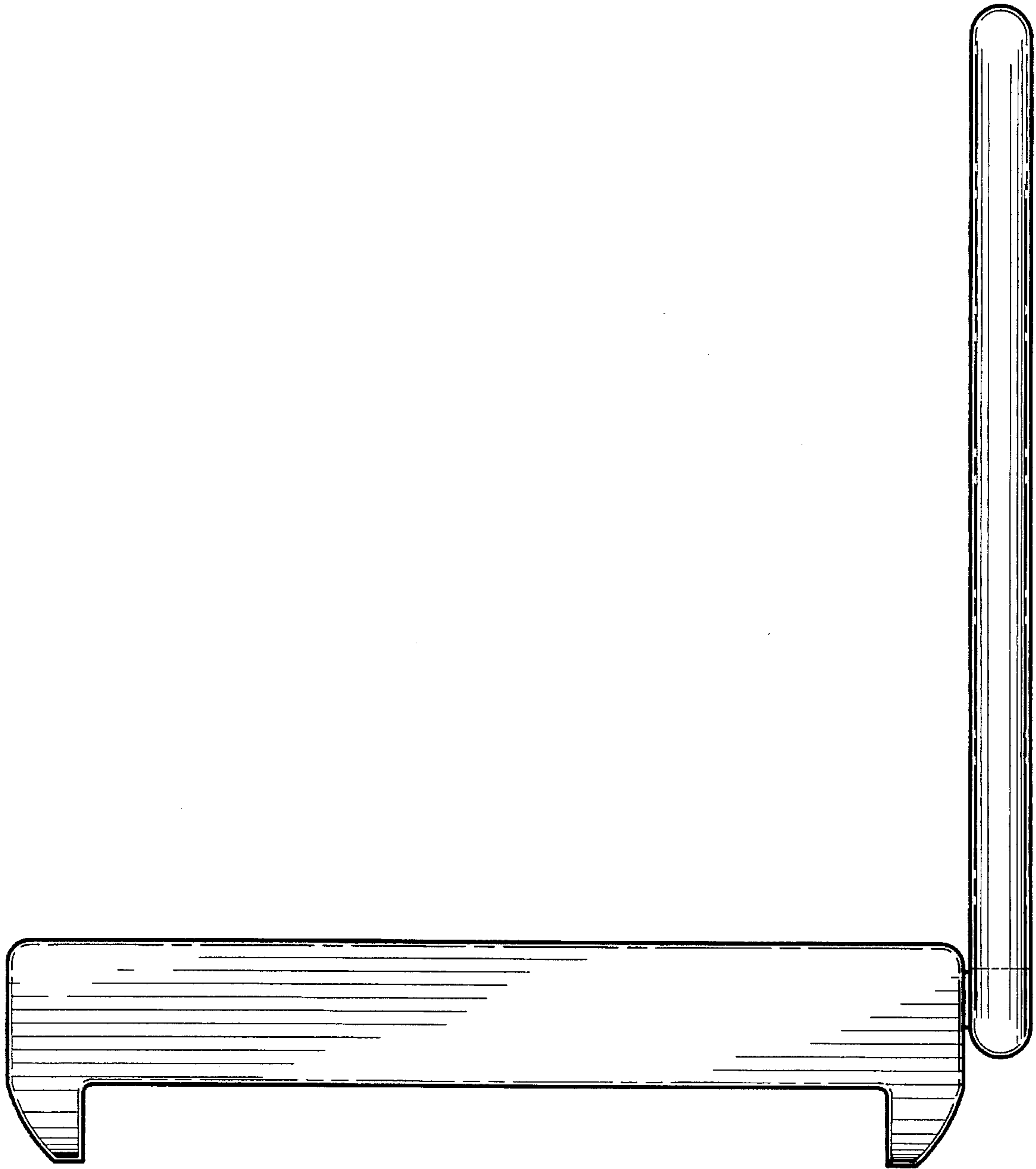


FIG.3

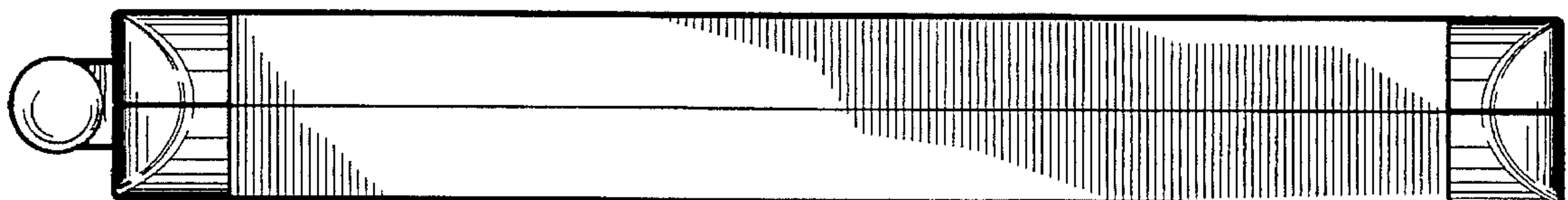


FIG.4