



US00D371559S

United States Patent [19]

[11] Patent Number: **Des. 371,559**

Rozier et al.

[45] Date of Patent: ****Jul. 9, 1996**

[54] **SPEAKER HOUSING ELEMENT**

[75] Inventors: **Charles Rozier; James Petronio**, both of New York, N.Y.

[73] Assignee: **Boston Acoustics, Inc.**, Peabody, Mass.

[**] Term: **14 Years**

[21] Appl. No.: **25,119**

[22] Filed: **Jun. 27, 1994**

[52] U.S. Cl. **D14/224**

[58] Field of Search D14/204, 207, D14/209, 210, 212-213, 215-216, 214, 219-222; 181/148, 150, 157, 198, 199; 381/24, 88, 90, 158, 188

[56] **References Cited**

U.S. PATENT DOCUMENTS

| | | | | |
|------------|--------|----------|-------|-----------|
| D. 227,116 | 6/1973 | Sato | | D14/207 |
| D. 319,243 | 8/1991 | Yamakawa | | D14/216 |
| 5,133,428 | 7/1992 | Perrson | | 181/199 X |

OTHER PUBLICATIONS

"The ProSeries Speaker Systems From Boston Acoustics" (reprint of 8 page ad; *Car Audio & Electronics*, Oct. 1993, ProSeries Neo 1T Angle-Mount Tweeter, Boston Acoustics Catalog 44-021-9, 1992, p. 5.

Primary Examiner—Prabhakar G. Deshmukh
Assistant Examiner—Nanda Bondade
Attorney, Agent, or Firm—Saidman Design Law Group

[57] **CLAIM**

The ornamental design for a speaker housing element, as shown and described.

DESCRIPTION

FIG. 1 is a front view in elevation of a speaker housing element showing our new design;

FIG. 2 is a rear elevational view thereof;

FIG. 3 is a left side view thereof;

FIG. 4 is a right side view thereof; and,

FIG. 5 is a top view thereof.

The broken lines showing a speaker in FIGS. 3-5 is for illustrative purposes only and forms no part of the claimed design.

1 Claim, 1 Drawing Sheet

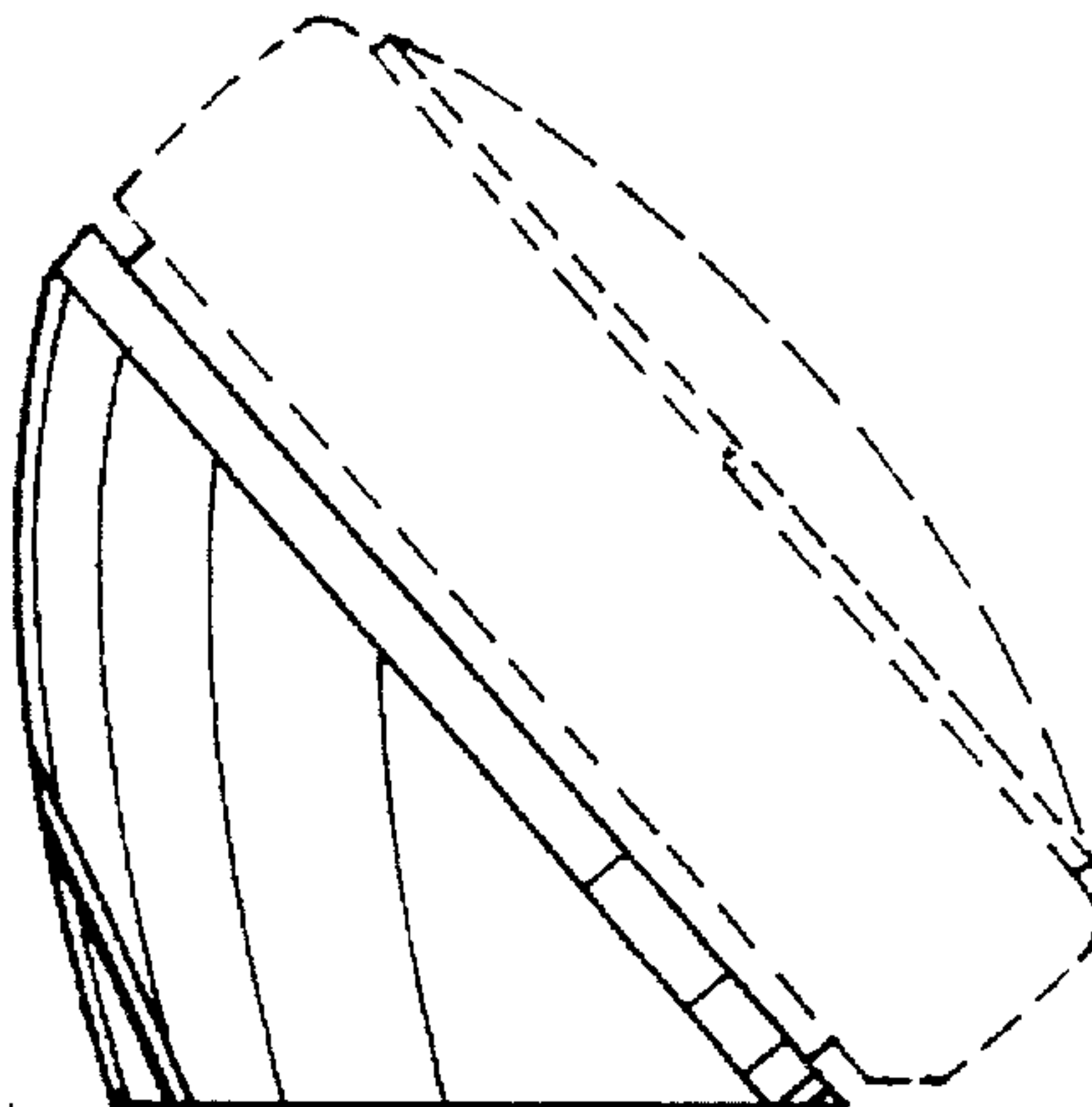
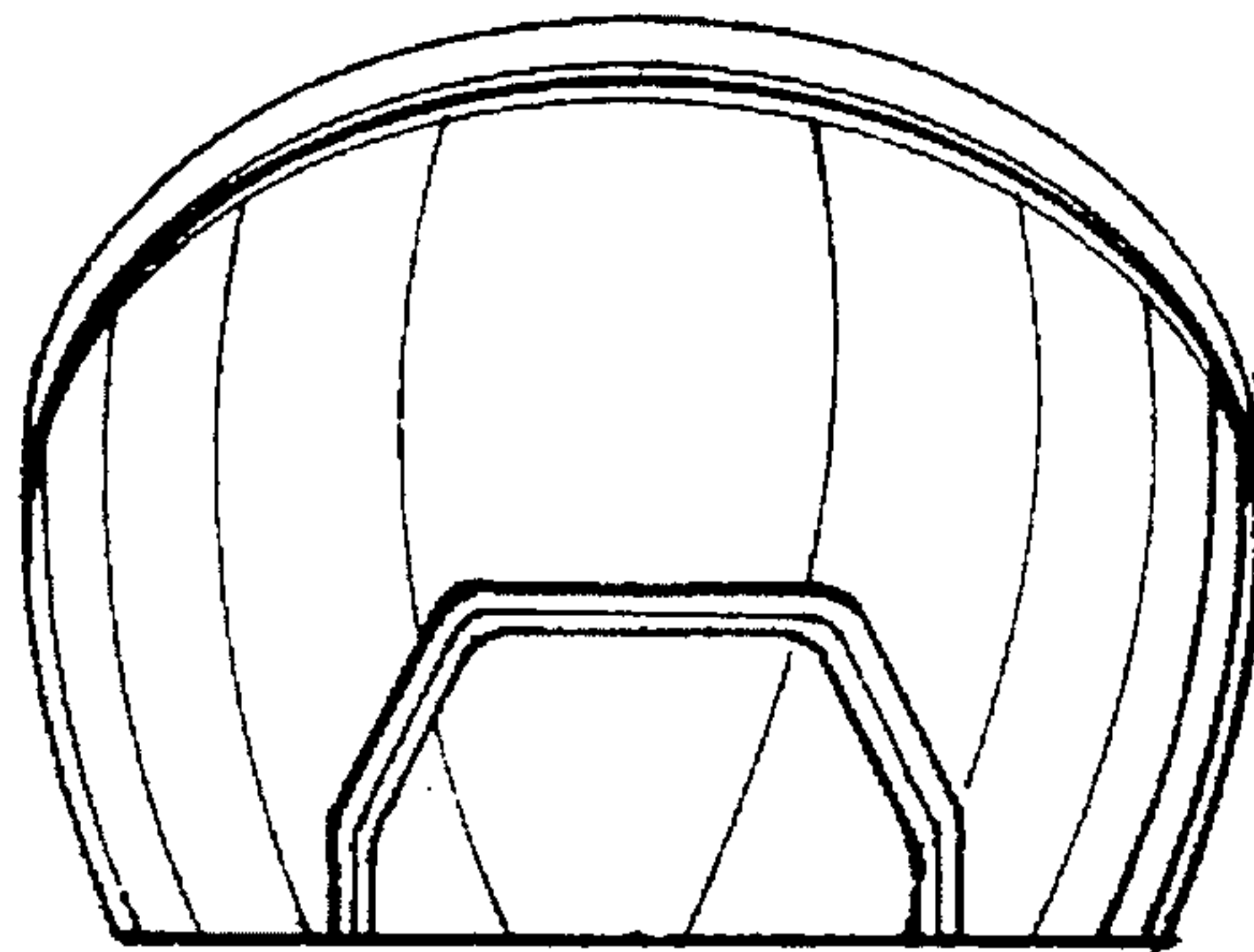


FIG. 1

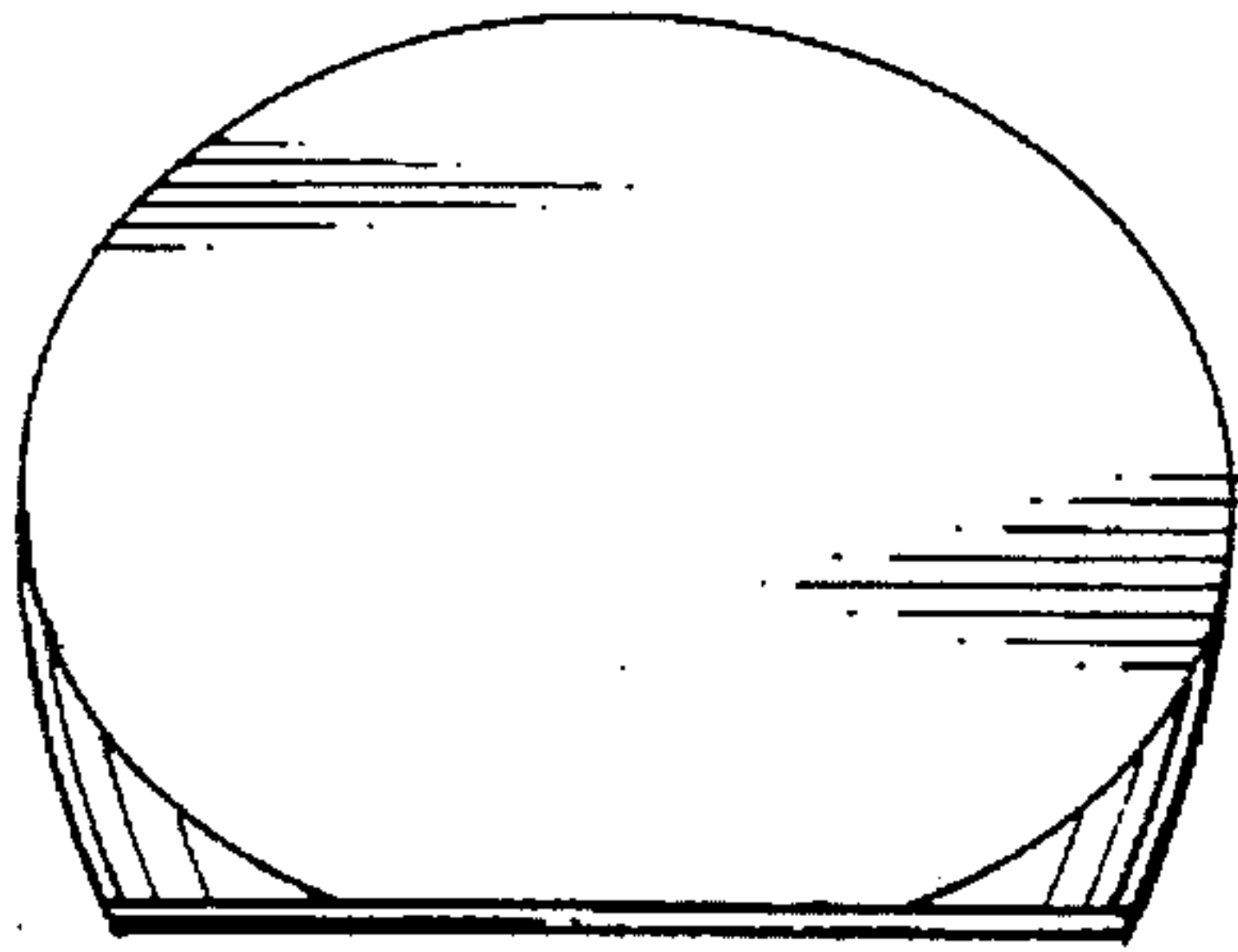


FIG. 2

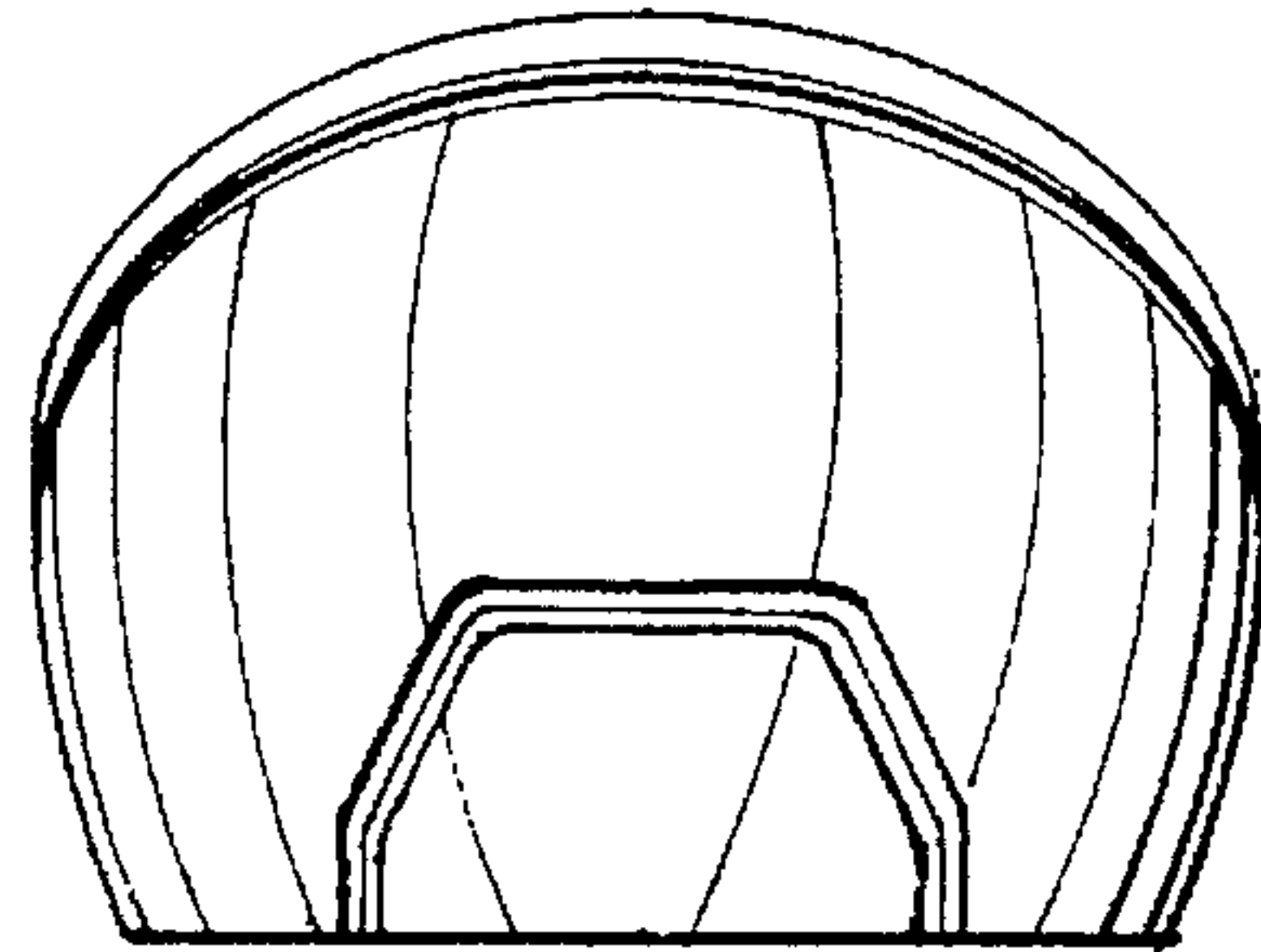


FIG. 3

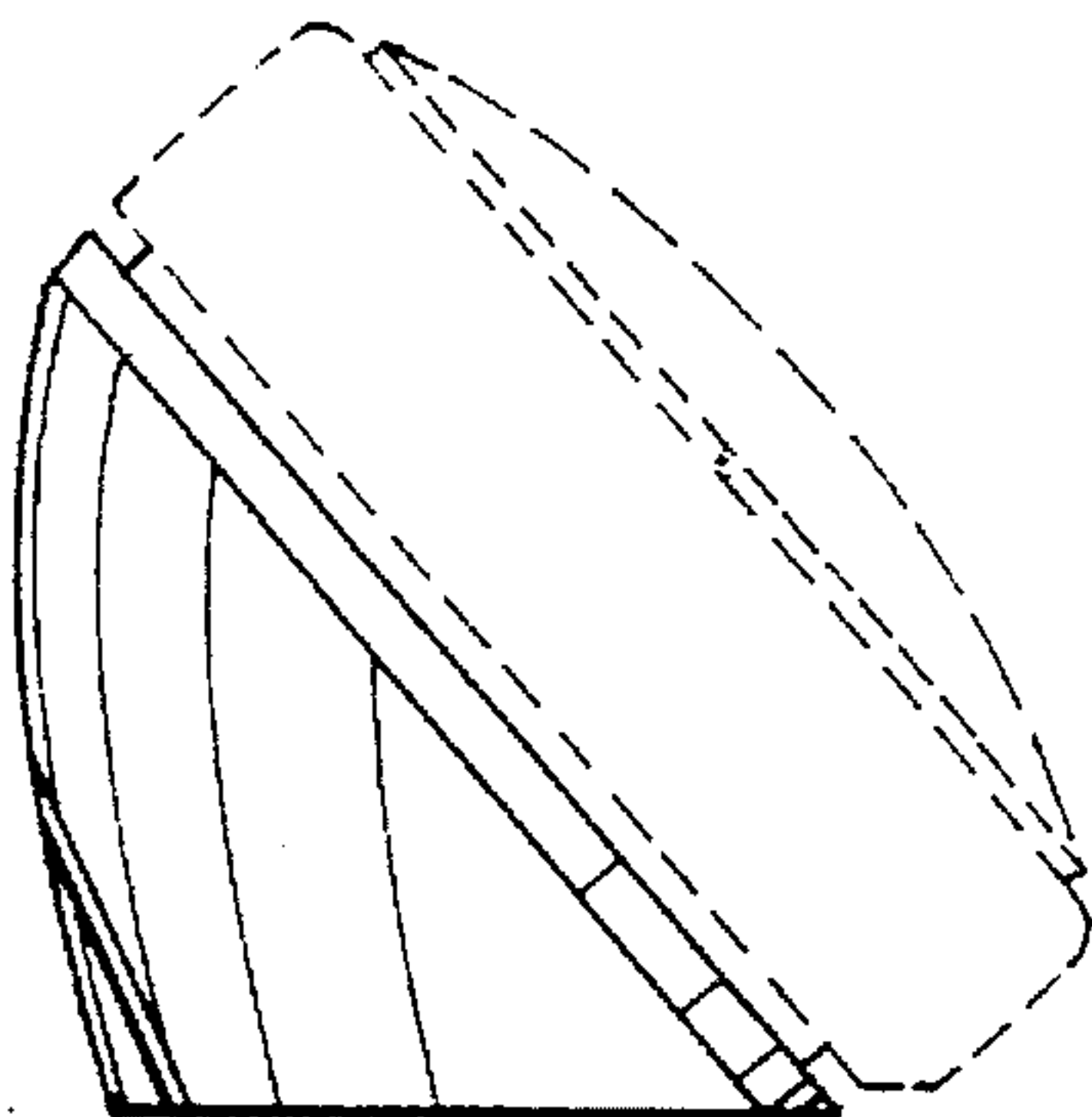


FIG. 4

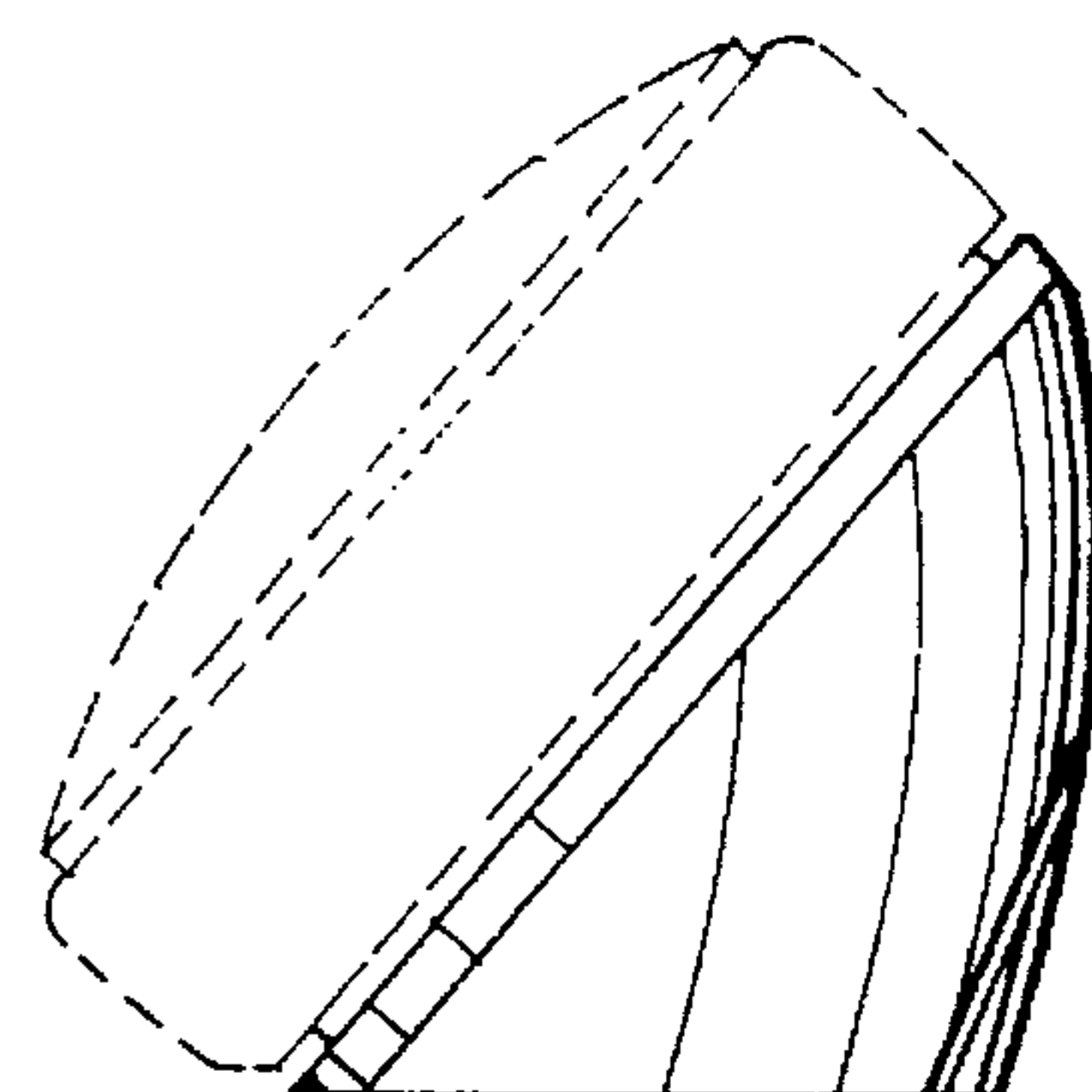


FIG. 5

