



US00D371554S

United States Patent [19]

[11] Patent Number: **Des. 371,554**

Shimatsu et al.

[45] Date of Patent: ****Jul. 9, 1996**

[54] **COMBINED PORTABLE AUDIO MESSAGE RECORDING AND PLAYBACK STATION**

4,686,587	8/1987	Hipp et al. .
4,688,117	8/1987	Dwyer et al. .
5,008,942	4/1991	Kikuchi .
5,045,327	9/1991	Tarlow et al. .
5,056,145	10/1991	Yamamoto et al. .
5,217,379	6/1993	Kirschenbaum et al. .

[75] Inventors: **Scott T. Shimatsu**, Alhambra; **Spencer L. Mackay**, Agoura Hills; **Cleve A. Graham**, Simi Valley, all of Calif.

[73] Assignee: **Voice It Worldwide, Inc.**, Fort Collins, Colo.

Primary Examiner—Dominic Simone
Assistant Examiner—Nanda Bondade
Attorney, Agent, or Firm—Merchant, Gould, Smith, Edell, Welter & Schmidt

[**] Term: **14 Years**

[21] Appl. No.: **40,831**

[57] CLAIM

[22] Filed: **Jun. 28, 1995**

The ornamental design for combined portable audio message recording and playback station, as shown and described.

[52] U.S. Cl. **D14/160**

[58] Field of Search D14/124, 137, D14/160-169, 172, 188-192, 265, 299; 455/344, 347, 350, 351

DESCRIPTION

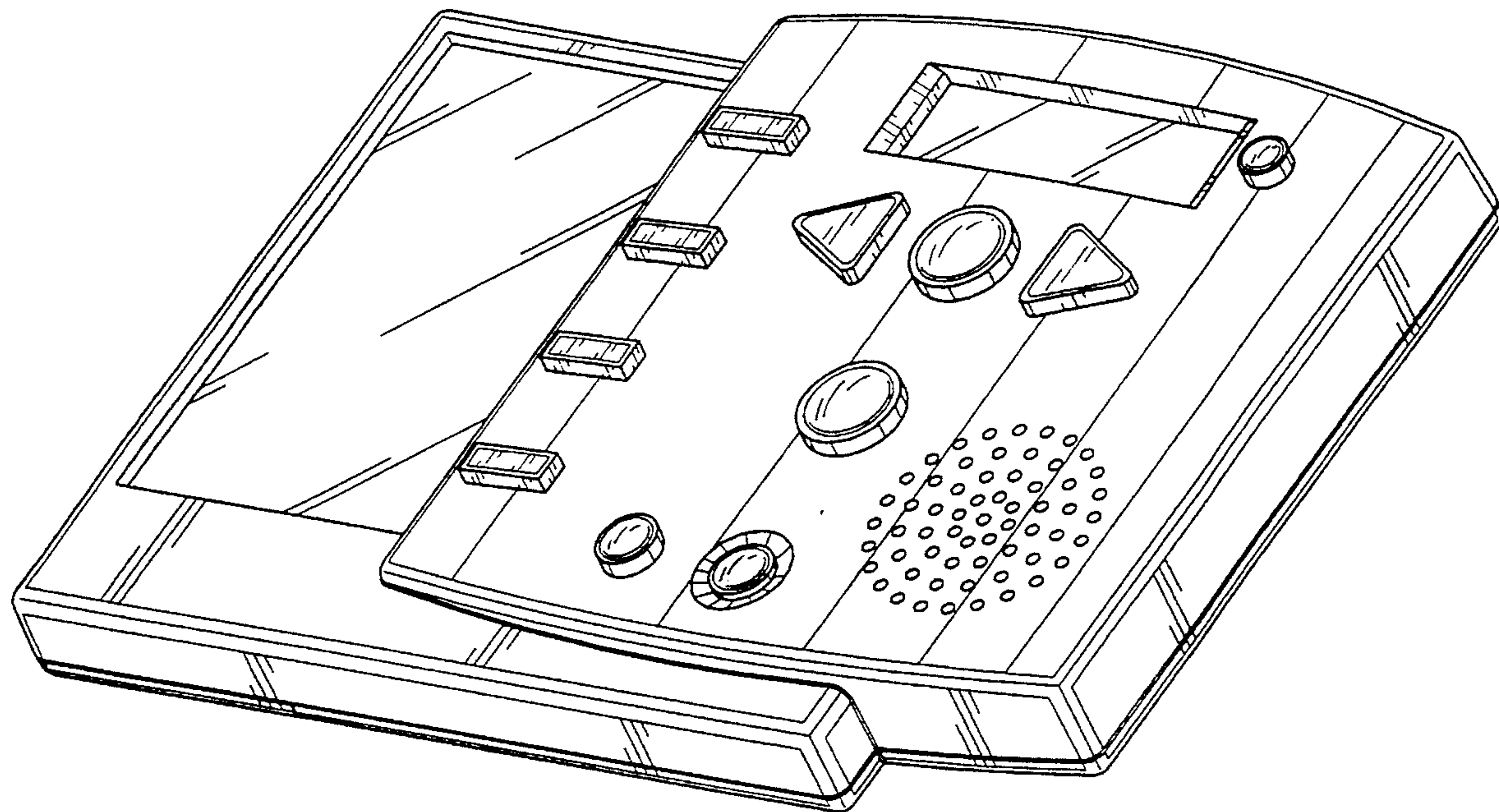
[56] References Cited

U.S. PATENT DOCUMENTS

D. 264,332	5/1982	Nakayama	D14/165
D. 314,768	2/1991	Taniguchi	D14/171 X
D. 328,896	8/1992	Warburton	D14/188 X
D. 337,771	7/1993	Leung	D14/168 X
D. 361,766	8/1995	Mackay	D14/167
4,287,568	9/1981	Lester	.	
4,677,657	6/1987	Nagata et al.	.	

FIG. 1 is a front and top right perspective view of a combined portable audio message recording and playback station showing our new design; FIG. 2 is a front elevation view; FIG. 3 is a rear elevation view; FIG. 4 is a top plan view; FIG. 5 is a bottom plan view; FIG. 6 is a left side elevation view; and, FIG. 7 is a right side elevation view.

1 Claim, 5 Drawing Sheets



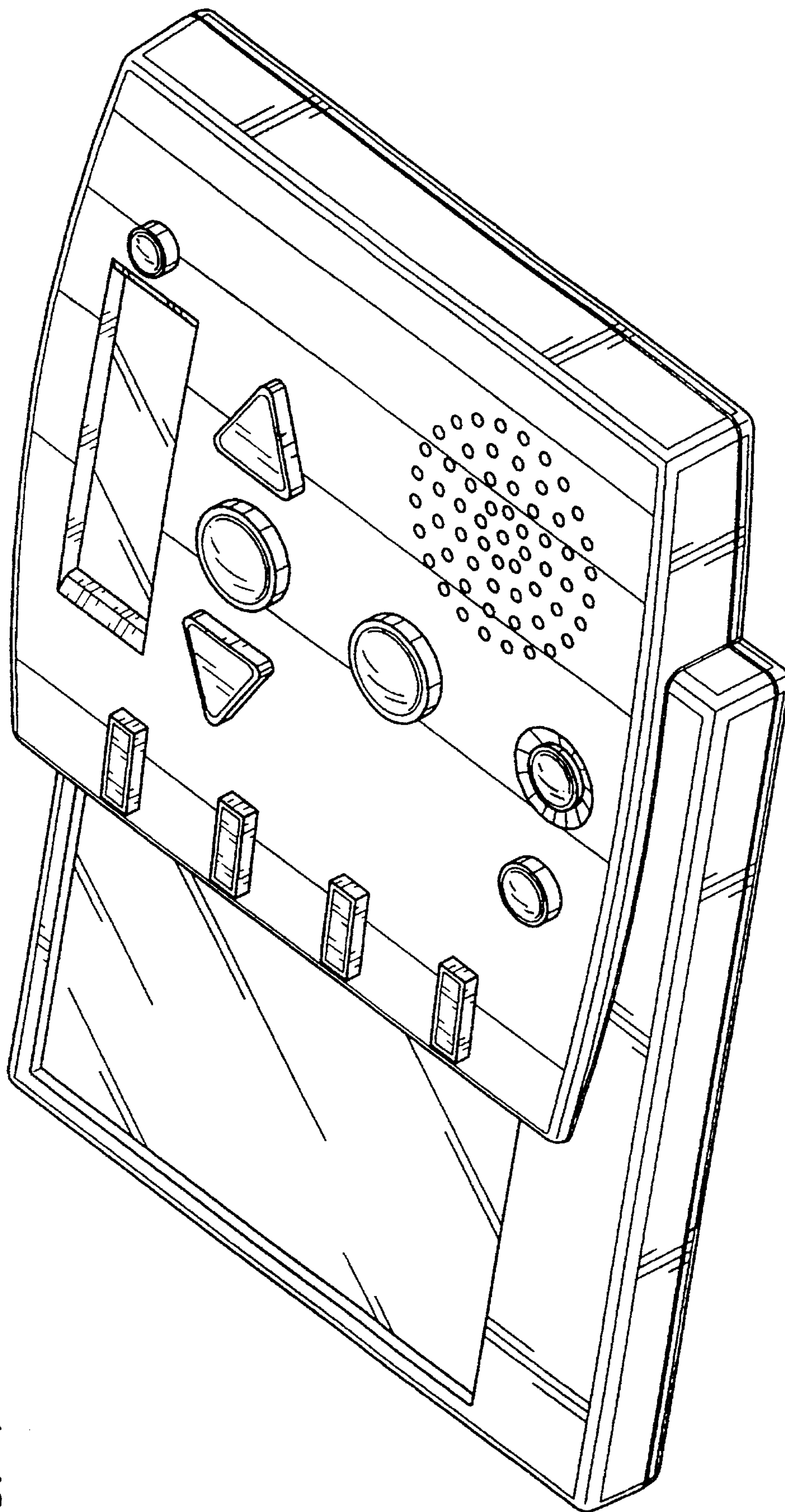


FIG. 1

FIG. 2

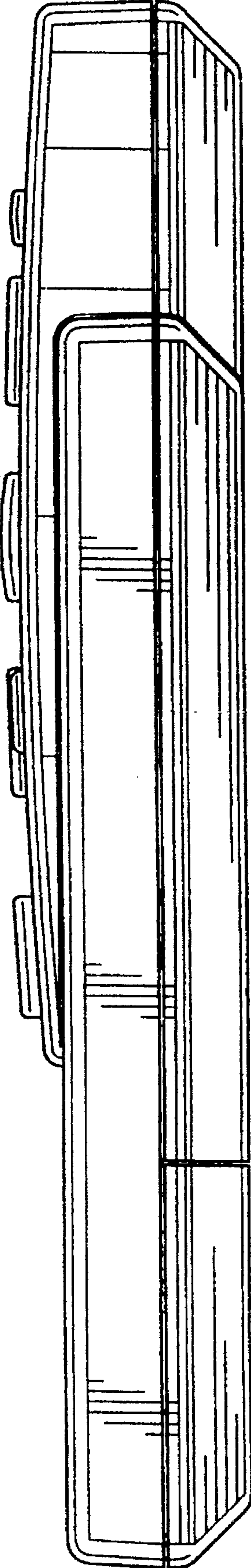
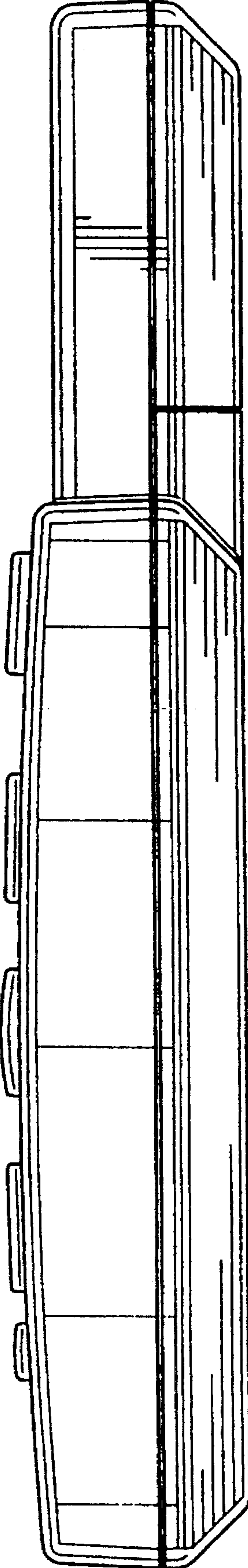


FIG. 3



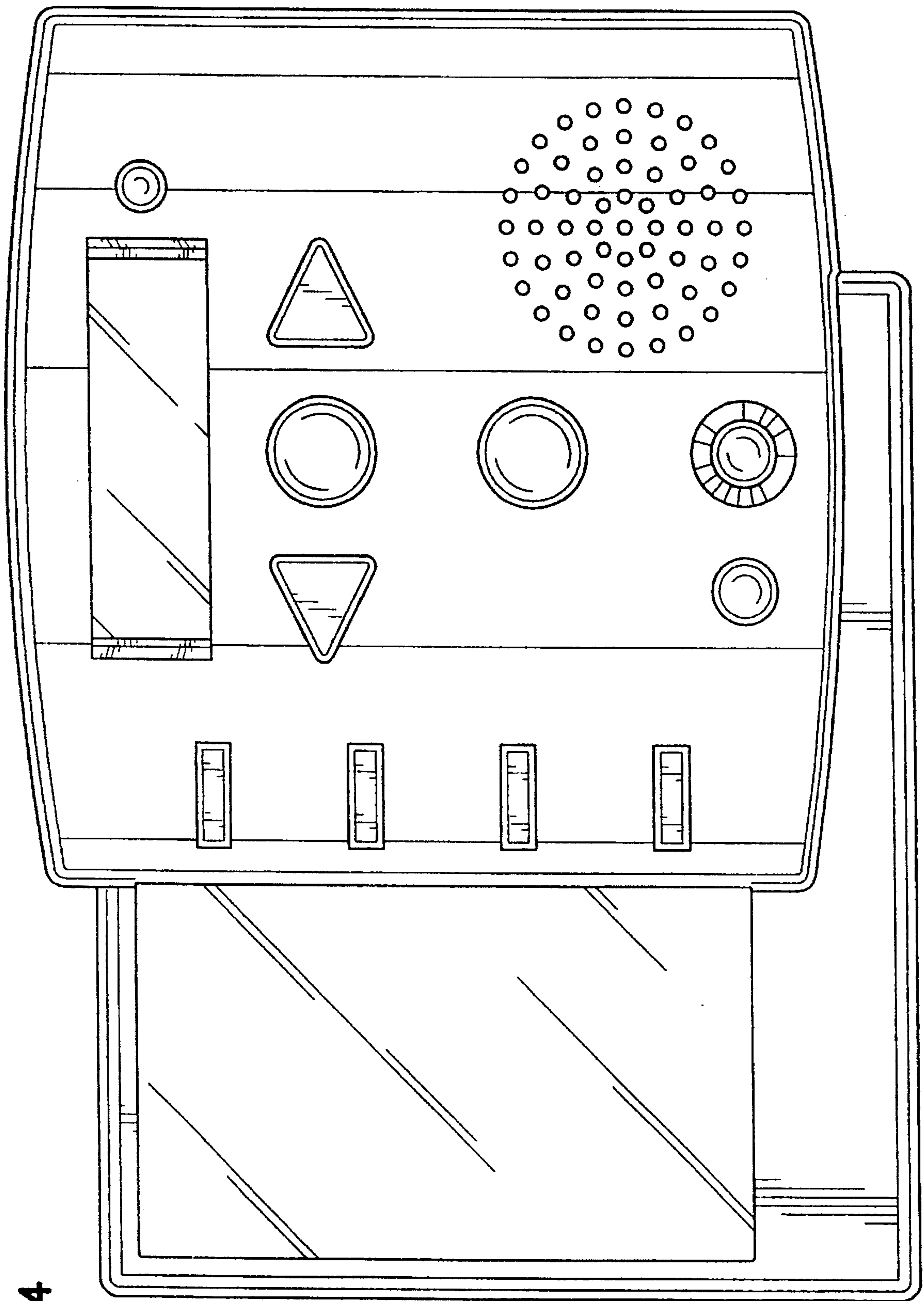


FIG. 4

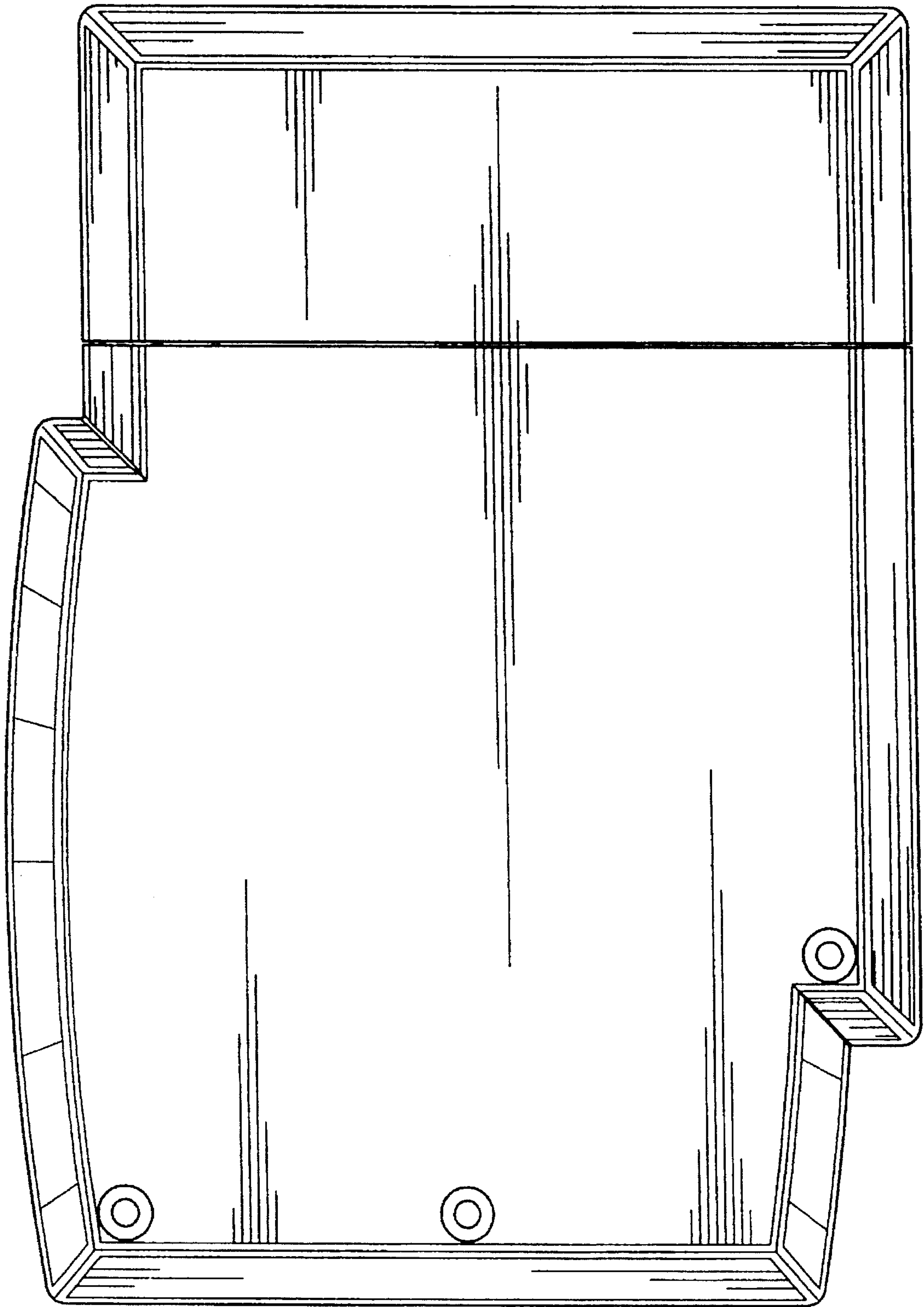


FIG. 5

FIG. 6

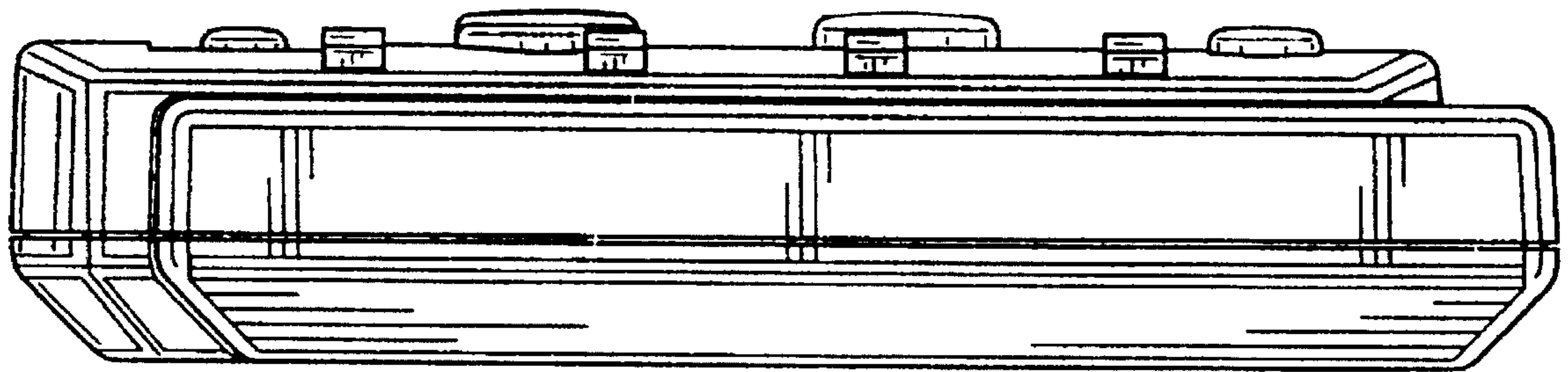


FIG. 7

