



US00D371551S

**United States Patent** [19]  
**Renk**

[11] **Patent Number: Des. 371,551**  
[45] **Date of Patent: \*\*Jul. 9, 1996**

- [54] **PORTABLE TELEVISION**
- [75] Inventor: **Thomas E. Renk**, Indianapolis, Ind.
- [73] Assignee: **Thomson Consumer Electronics, Inc.**, Indianapolis, Ind.
- [\*\*] Term: **14 Years**
- [21] Appl. No.: **41,162**
- [22] Filed: **Jul. 6, 1995**
- [52] U.S. Cl. .... **D14/126**
- [58] Field of Search ..... D14/113, 124-134;  
312/7.2; 348/825, 836, 838

*Primary Examiner*—Terry A. Wallace  
*Assistant Examiner*—Richelle Shelton  
*Attorney, Agent, or Firm*—Woodard, Emhardt, Naughton,  
Moriarty & McNett

[57] **CLAIM**

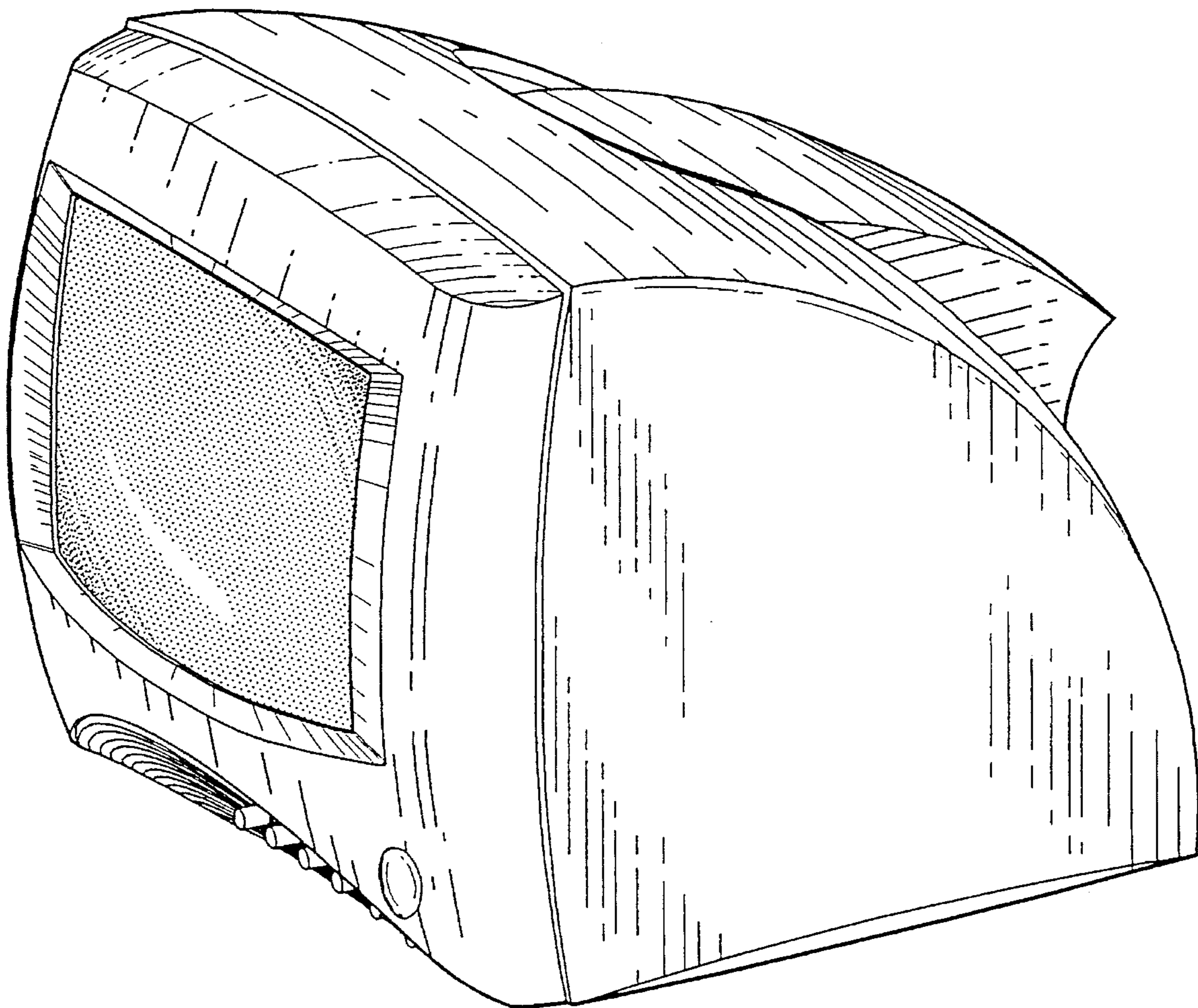
The ornamental design for a portable television, as shown and described.

**DESCRIPTION**

FIG. 1 is a front elevational view of a portable television showing my new design;  
FIG. 2 is a reduced right side elevational view of the portable television, the left side elevational view being a mirror image;  
FIG. 3 is a top plan view thereof;  
FIG. 4 is a rear elevational view thereof;  
FIG. 5 is a bottom plan view thereof; and,  
FIG. 6 is a front perspective view thereof.

- [56] **References Cited**
- U.S. PATENT DOCUMENTS**
- D. 351,157 10/1994 Usami et al. .... D14/129
- D. 352,027 11/1994 Renk ..... D14/126
- D. 357,469 4/1995 Baek ..... D14/126
- D. 359,730 6/1995 Kazama ..... D14/126

**1 Claim, 4 Drawing Sheets**



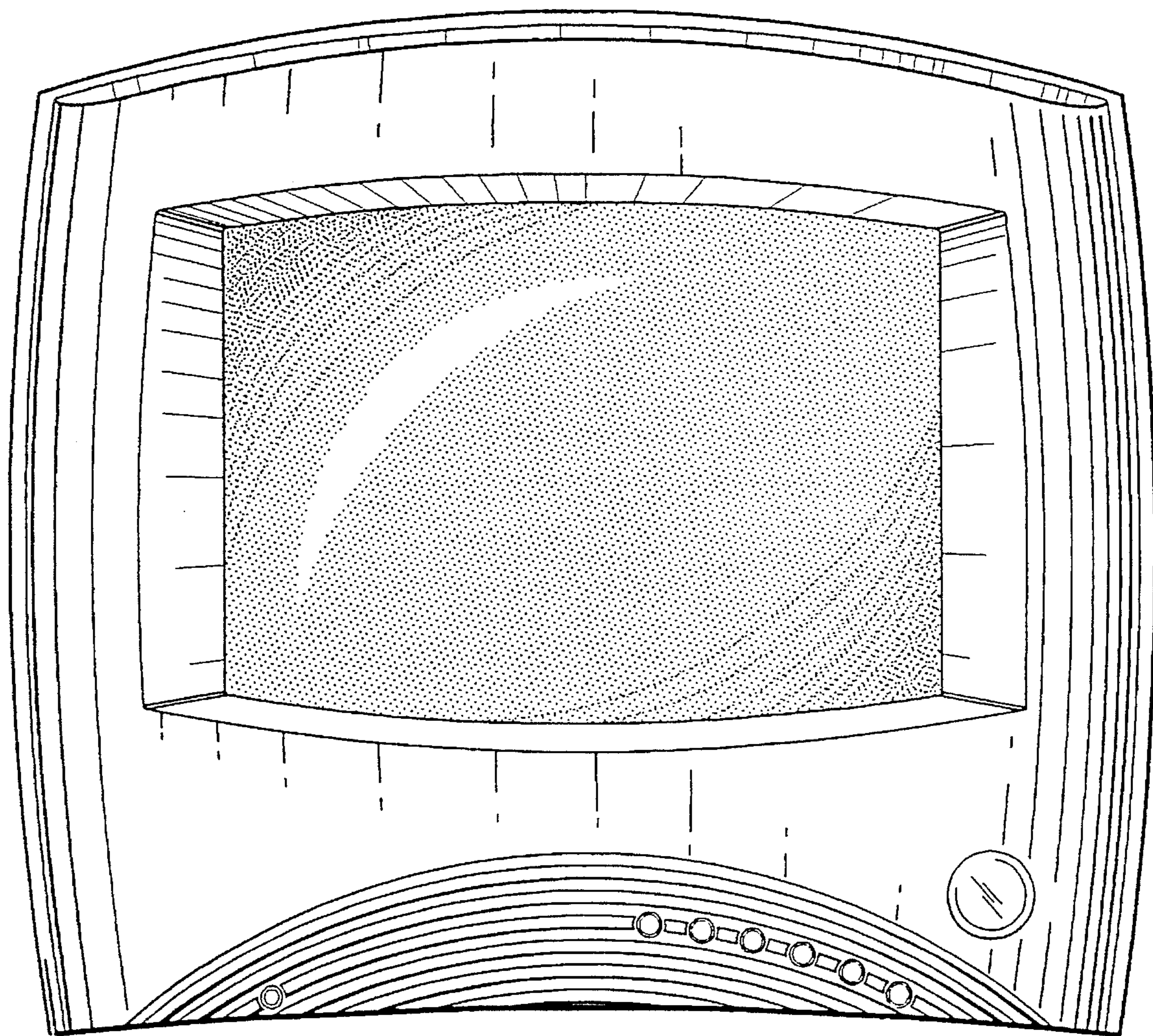


Fig. 1

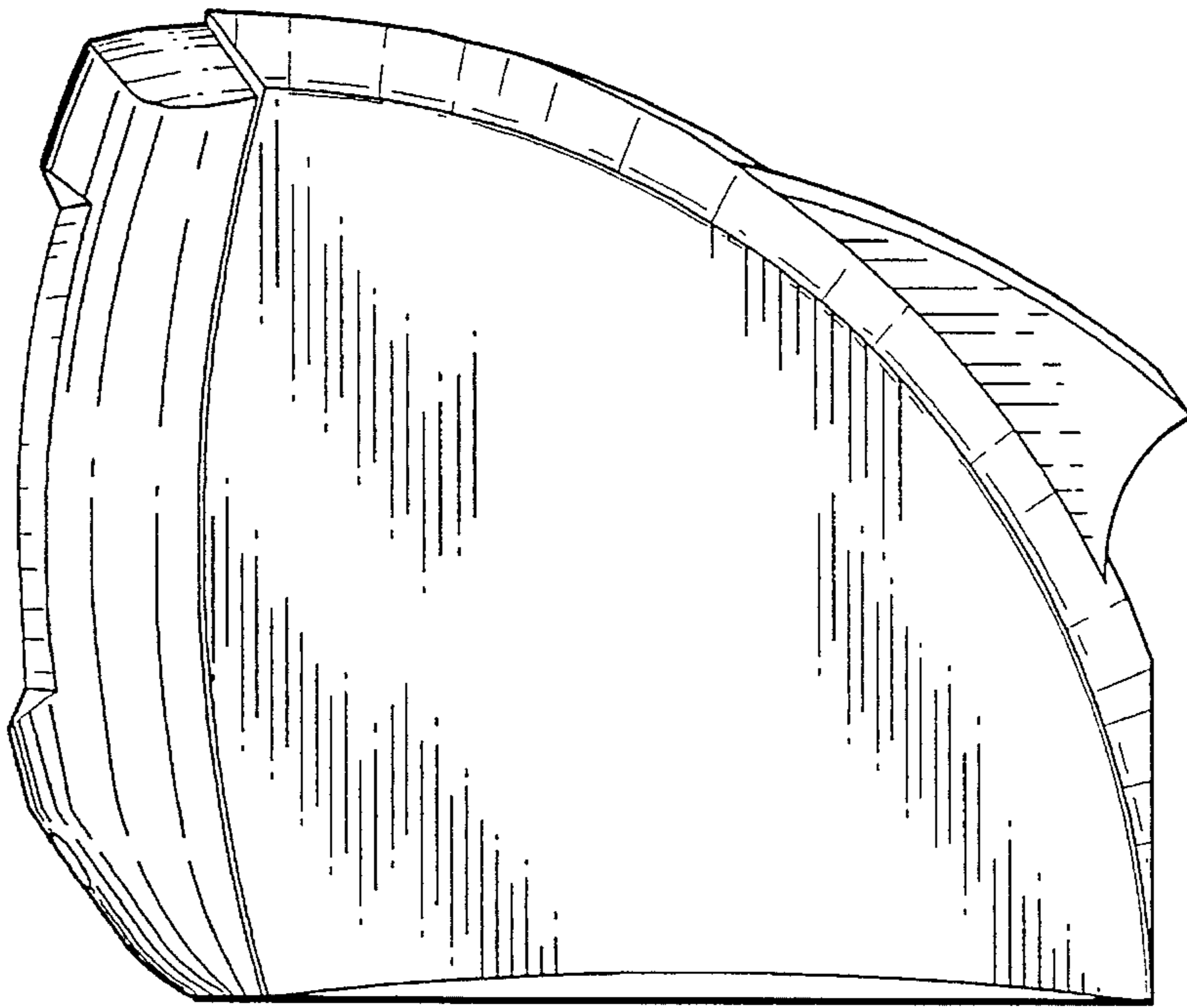


Fig. 2

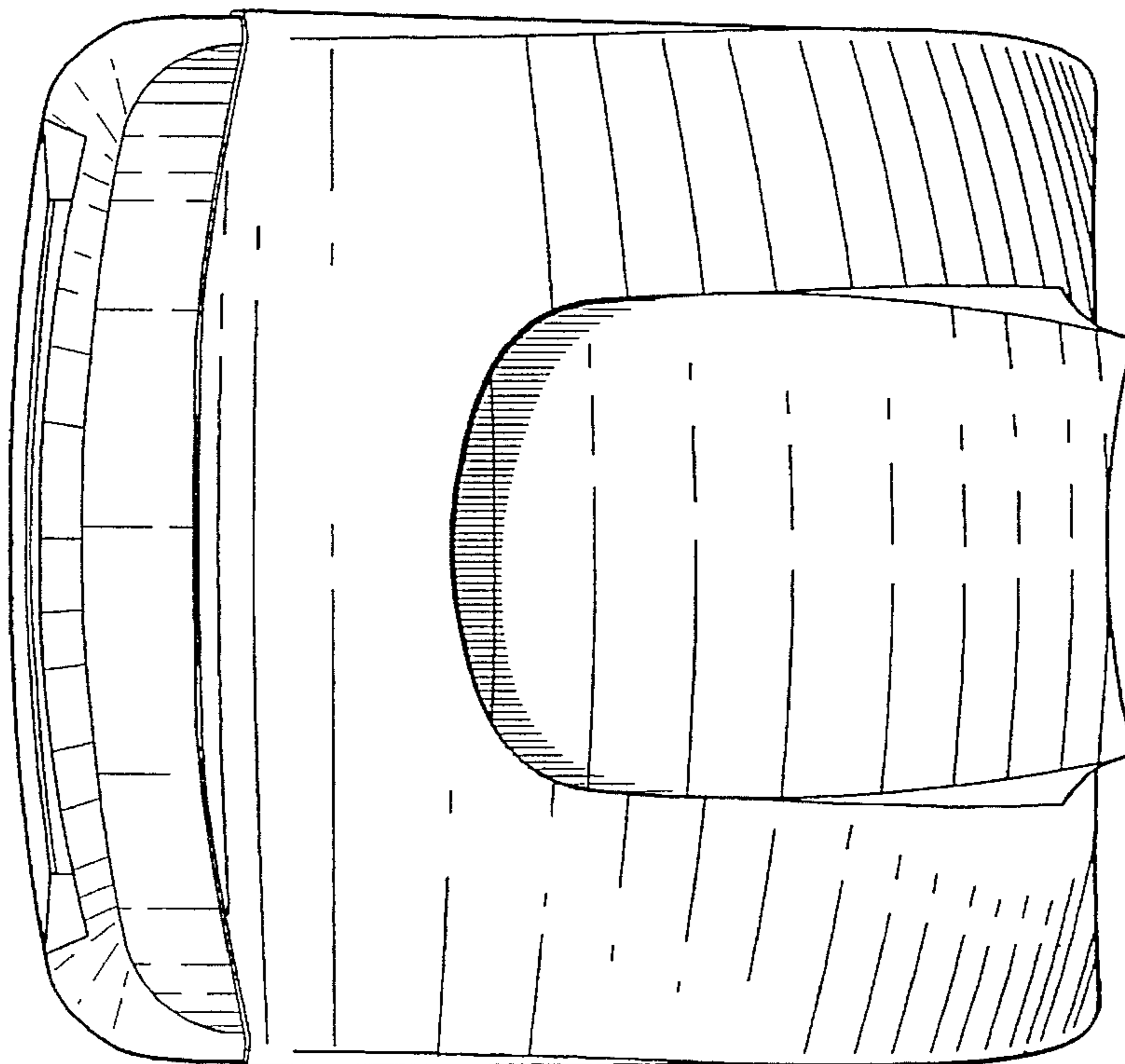


Fig. 3

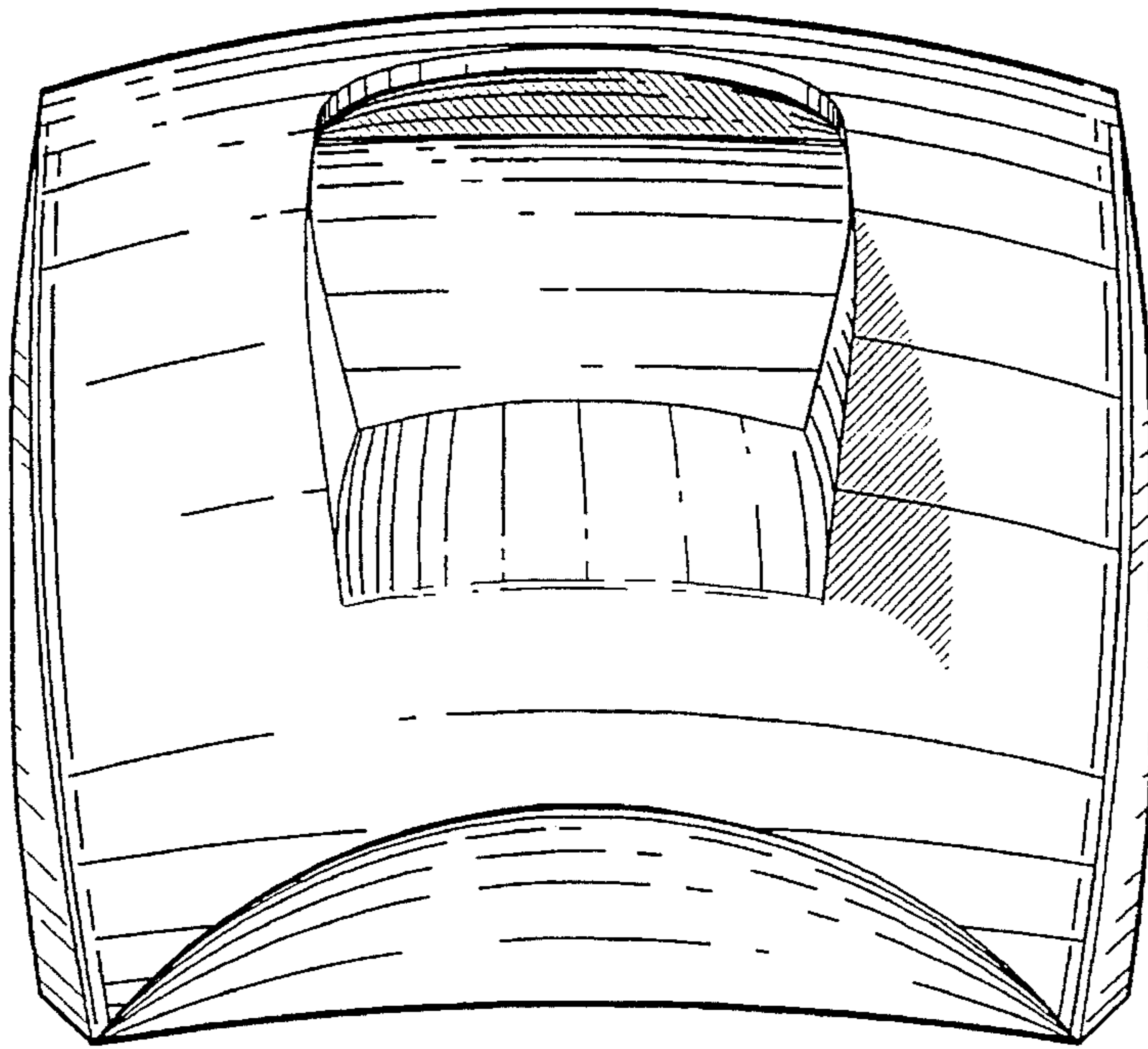


Fig. 4

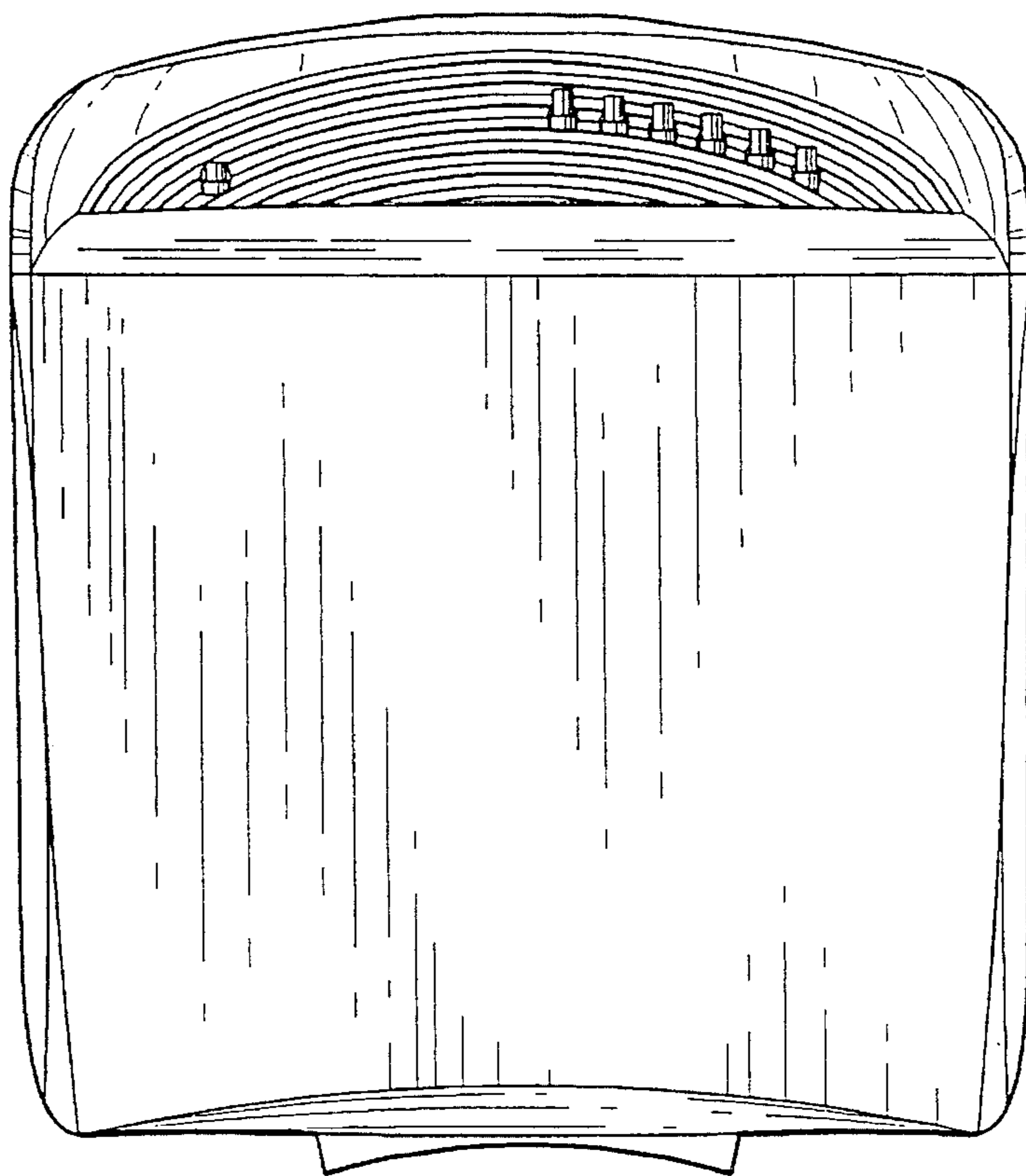


Fig. 5

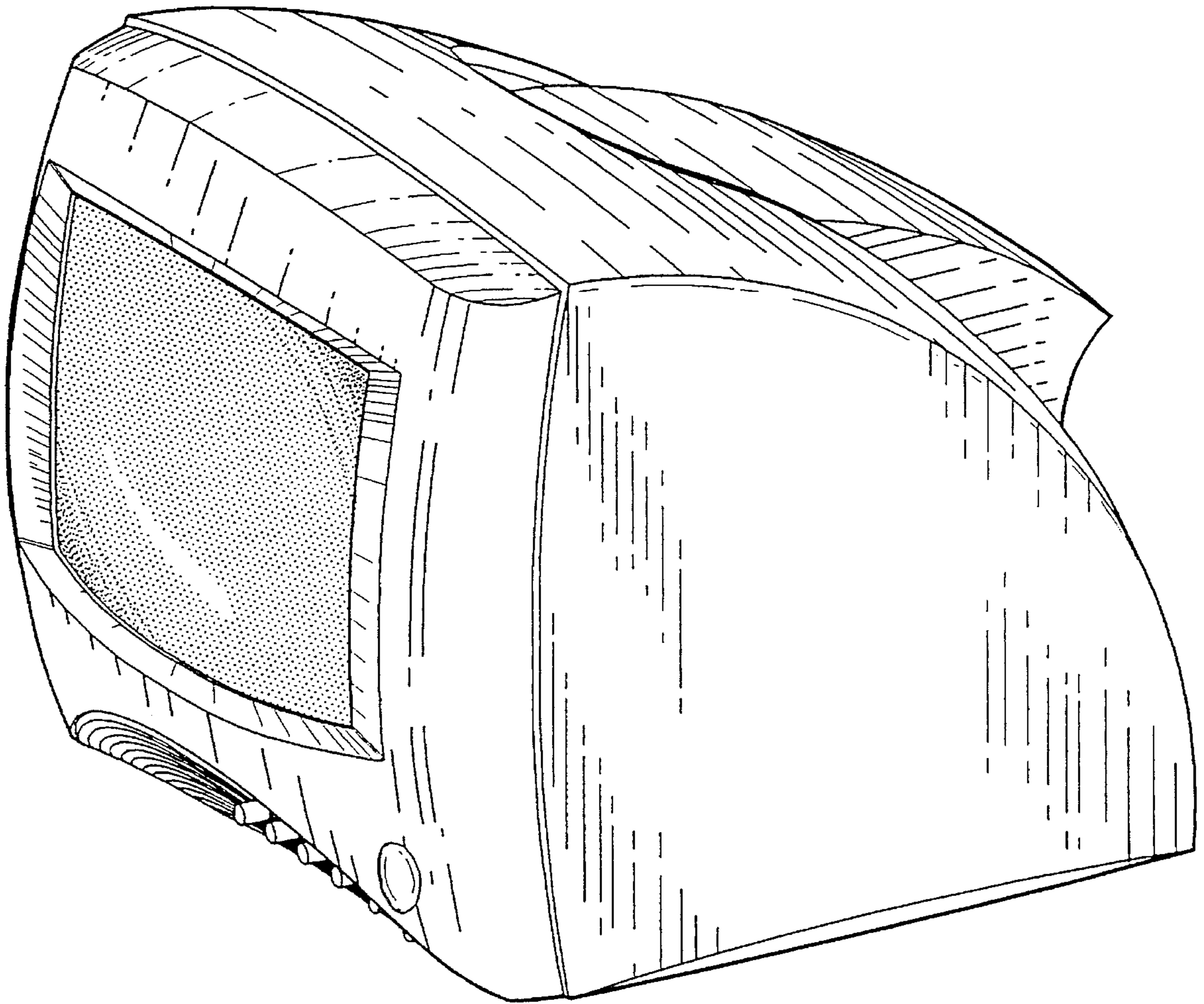


Fig. 6