



US00D371548S

# United States Patent [19]

[11] Patent Number: **Des. 371,548**

Yamamoto et al.

[45] Date of Patent: **\*\*Jul. 9, 1996**

## [54] OPTICAL DISK CARTRIDGE

[75] Inventors: **Tokuzo Yamamoto**, Sagamihara;  
**Nobuhiro Yamane**, Yokohama, both of  
Japan

[73] Assignee: **Kabushiki Kaisha Toshiba**, Kawasaki,  
Japan

[\*\*] Term: **14 Years**

[21] Appl. No.: **35,475**

[22] Filed: **Feb. 28, 1995**

### Related U.S. Application Data

[62] Division of Ser. No. 23,643, May 27, 1994.

### [30] Foreign Application Priority Data

Nov. 30, 1993	[JP]	Japan	5-36142
Nov. 30, 1993	[JP]	Japan	5-36143
Nov. 30, 1993	[JP]	Japan	5-36145

[52] U.S. Cl. .... **D14/114**

[58] Field of Search ..... D14/100, 107,  
D14/114; D6/626-7; 360/60, 132-3, 135,  
97.01-99.12; 206/312, 444, 309-10, 45.23,  
472; 369/291, 273, 77.2

### [56] References Cited

#### U.S. PATENT DOCUMENTS

D. 311,526 10/1990 Hamada et al. .... D14/114

D. 312,077	11/1990	Sasaki et al.	D14/114
D. 312,250	11/1990	Sasaki et al.	D14/114
D. 325,468	4/1992	Ohba	D14/114 X
D. 346,374	4/1994	Miyazaki et al.	D14/114
D. 346,375	4/1994	Miyazaki et al.	D14/114
D. 351,593	10/1994	Miyazaki	D14/114

*Primary Examiner*—M. H. Tung  
*Attorney, Agent, or Firm*—Oblon, Spivak, McClelland,  
Maier & Neustadt

## [57] CLAIM

The ornamental design for an optical disk cartridge, as shown and described.

## DESCRIPTION

FIG. 1 is a front, bottom and right side prospective view of an optical disk cartridge;

FIG. 2 is a front elevational view thereof;

FIG. 3 is a top plan view thereof;

FIG. 4 is a right side elevational view thereof; the left side elevational view being a mirror image of the side shown view;

FIG. 5 is a rear elevational view thereof; and,

FIG. 6 is a bottom plan view thereof.

**1 Claim, 2 Drawing Sheets**

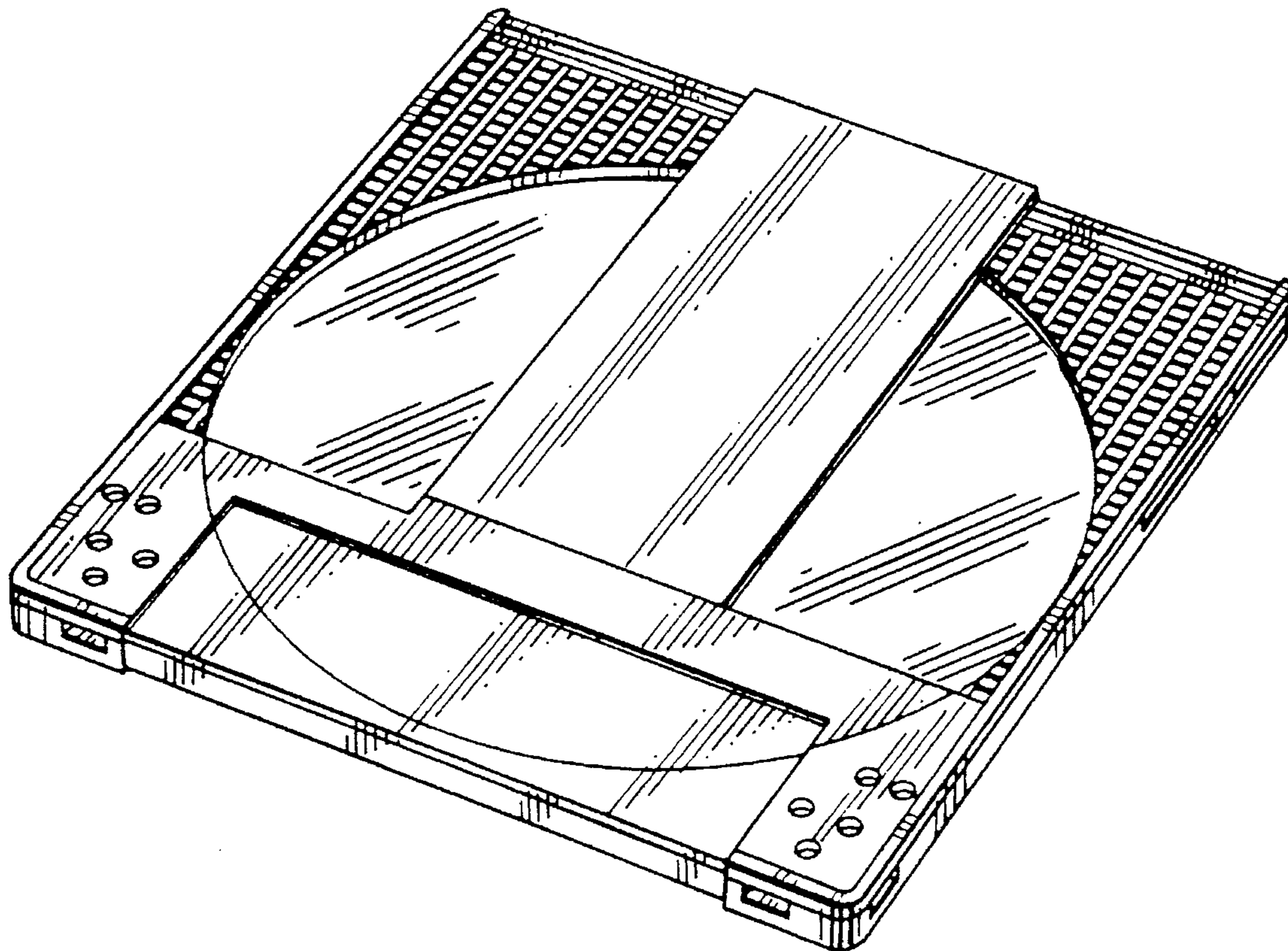


FIG. 1

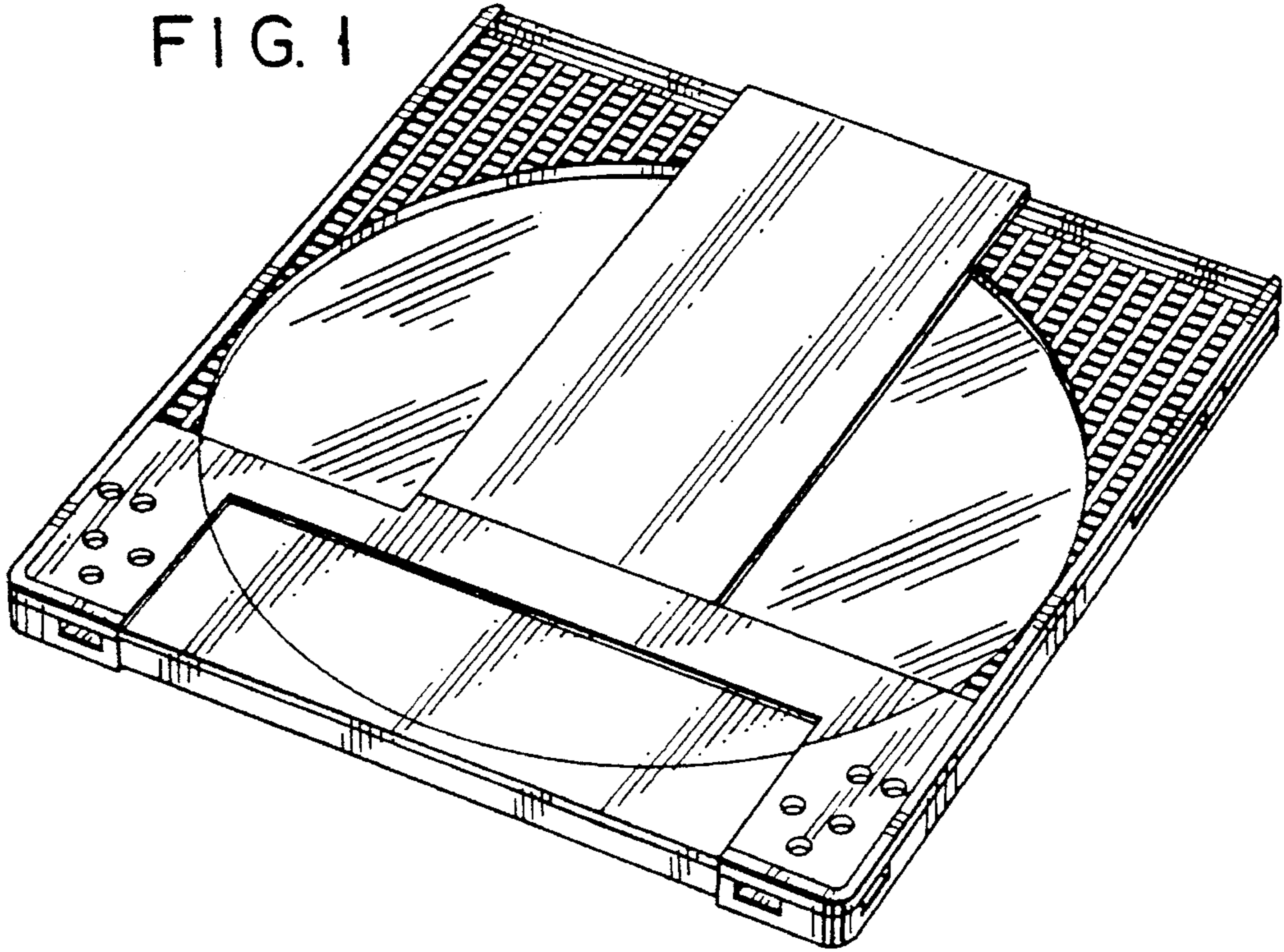


FIG. 3



FIG. 2

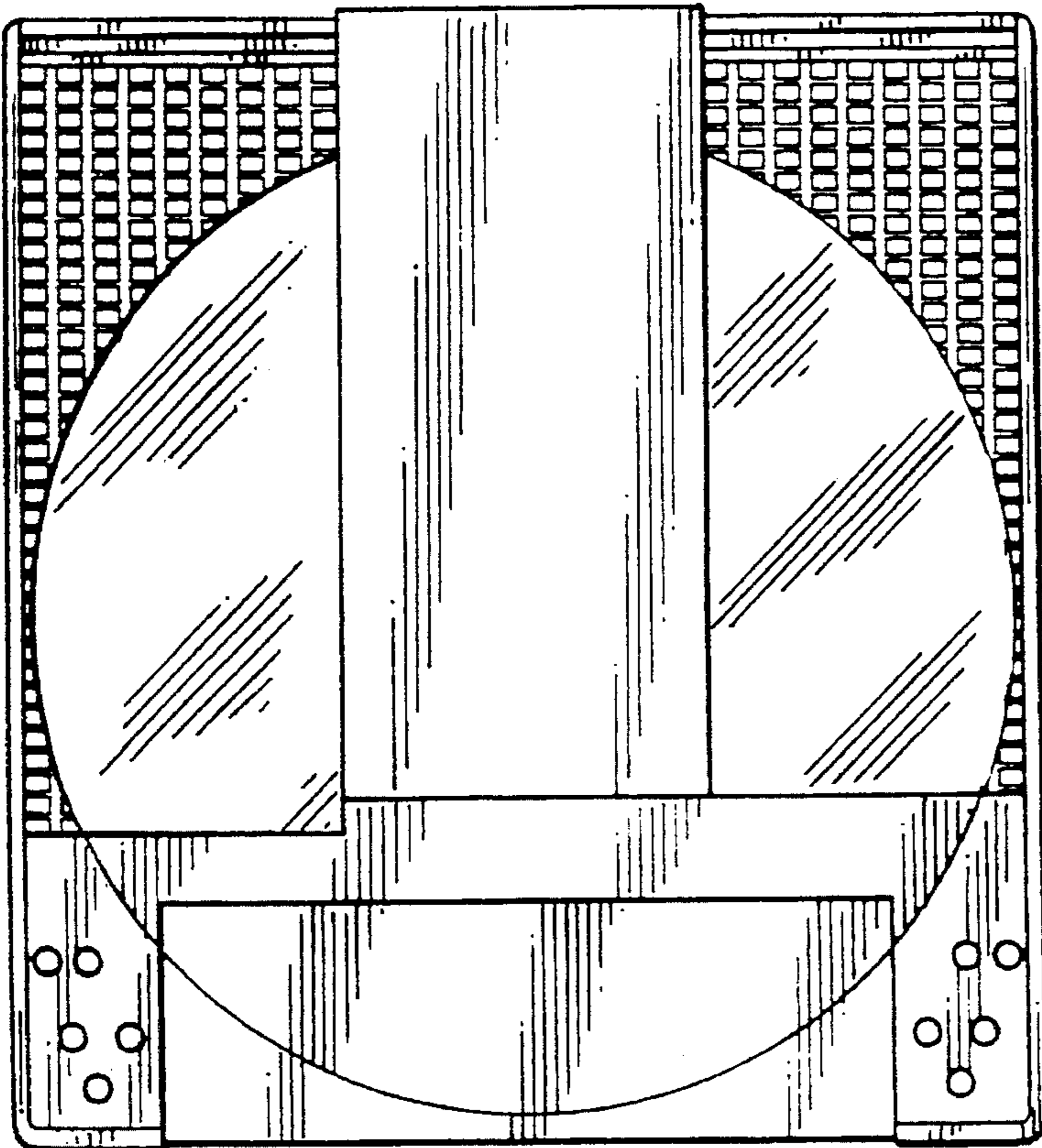


FIG. 4

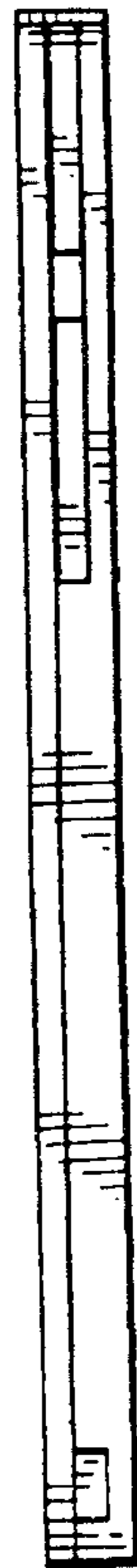


FIG. 5

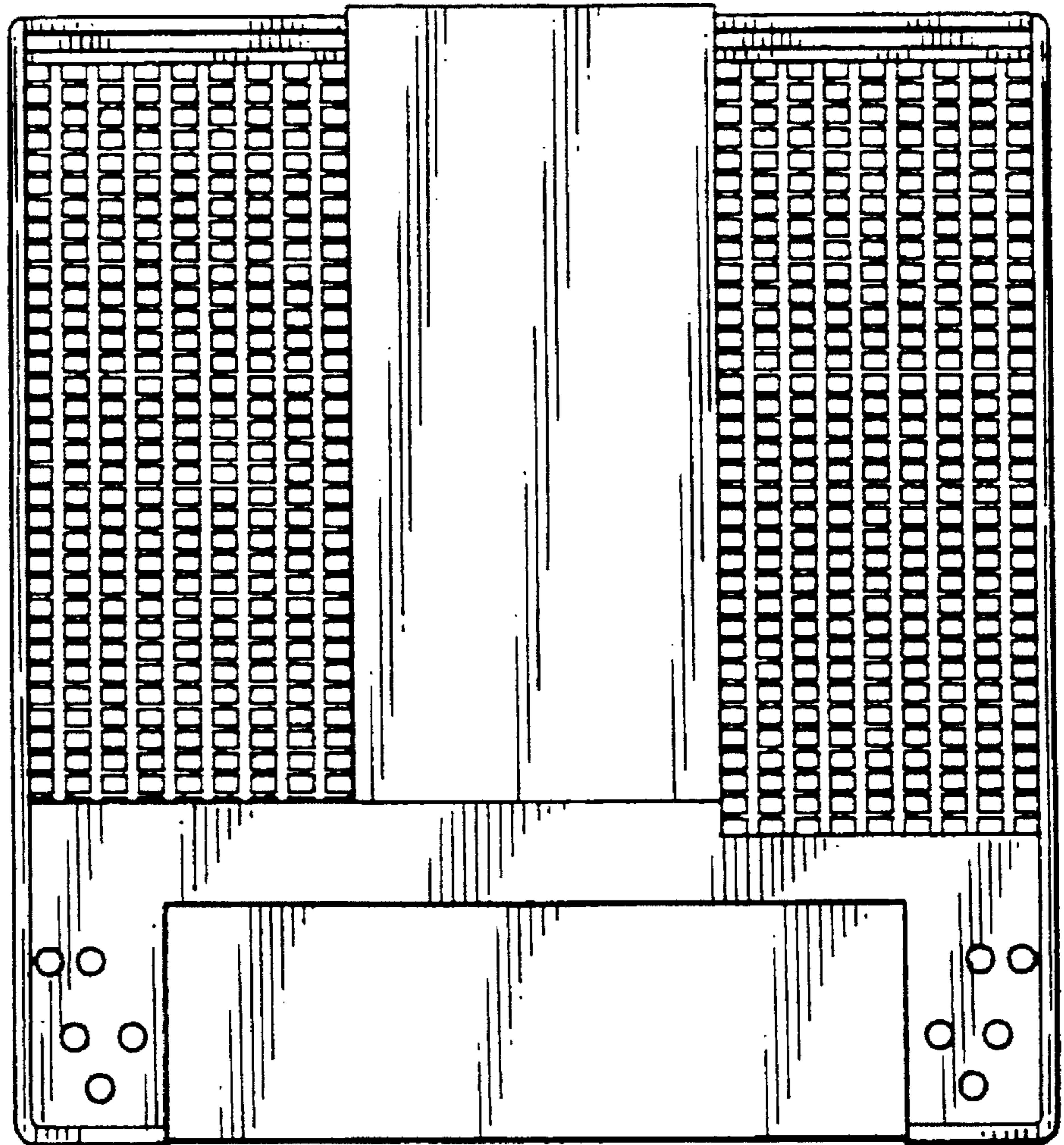


FIG. 6

