



US00D371543S

United States Patent [19]

[11] Patent Number: **Des. 371,543**

Van Hout

[45] Date of Patent: ***** Jul. 9, 1996**

[54] **MULTIPLE SPEAKER CONTROL SWITCH WITH A LIQUID CRYSTAL DISPLAY FOR A VEHICULAR RADIO RECEIVER AND CASSETTE PLAYER**

5,283,401 2/1994 Schmucker 200/6 A
5,294,121 3/1994 Chiang 200/5 R X

Primary Examiner—Joel Sincavage
Attorney, Agent, or Firm—Christopher A. Taravella

[75] Inventor: **James E. Van Hout**, Auburn Hills, Mich.

[57] **CLAIM**

[73] Assignee: **Chrysler Corporation**, Auburn Hills, Mich.

The ornamental design for a multiple speaker control switch with a liquid crystal display for a vehicular radio receiver and cassette player, as shown and described.

[*] Notice: The portion of the term of this patent subsequent to Jan. 9, 2010, has been disclaimed.

DESCRIPTION

[**] Term: **14 Years**

FIG. 1 is a perspective view of a multiple speaker control switch with a liquid crystal display for a vehicular radio receiver and cassette player. The broken line showing is included for the purpose of illustrating environmental elements only and forms no part of the claimed design; FIG. 2 is a front elevational view of a multiple speaker control switch for a vehicular radio receiver and cassette player showing my new design on an enlarged scale; FIG. 3 is a rear elevational view thereof; FIG. 4 is a side elevational view thereof as viewed from a point beneath the showing of FIG. 2, the remaining side elevational views of the multiple speaker control switch being identical therewith; FIG. 5 is a cross-sectional view along line 5—5 of FIG. 2; FIG. 6 is a cross-sectional view along line 6—6 of FIG. 2; and, FIG. 7 is a front elevational view of the multiple speaker switch displaying the liquid crystal display depicting gradations of sound.

[21] Appl. No.: **27,893**

[22] Filed: **Aug. 31, 1994**

[52] U.S. Cl. **D13/162**

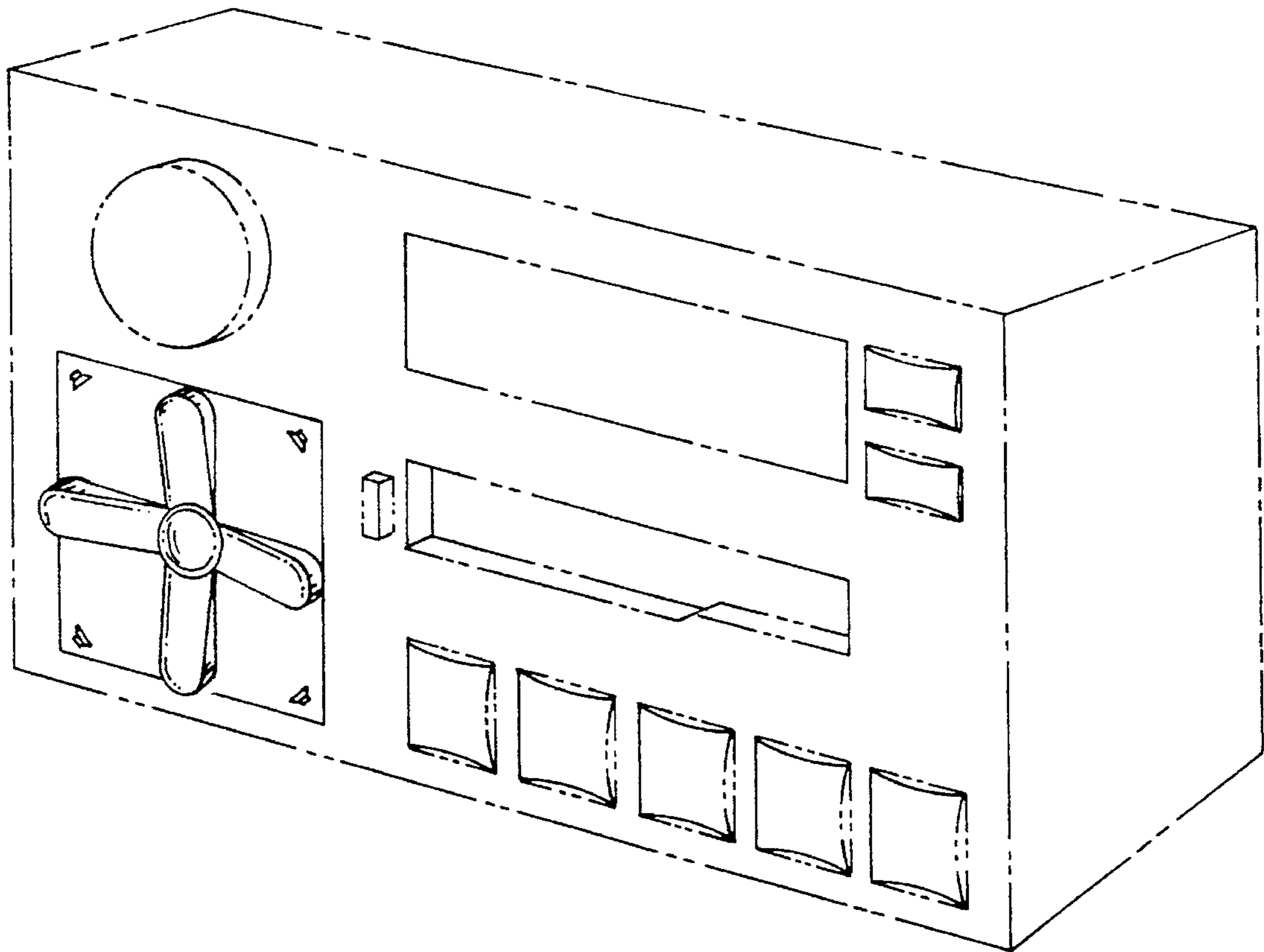
[58] Field of Search D13/158, 162;
200/5 A, 5 R, 6 A; D14/157

[56] **References Cited**

U.S. PATENT DOCUMENTS

D. 304,443	11/1989	Grinyer et al.	D14/157 X
D. 314,966	2/1991	Magic et al.	D14/157 X
D. 322,789	12/1991	McCauley et al.	D14/157 X
4,428,649	1/1984	Main et al.	200/5 R
4,611,102	9/1986	Ishida	200/5 R
5,041,703	8/1991	Roswold	200/5 R
5,265,716	11/1993	Sawada et al.	20/5 R

1 Claim, 2 Drawing Sheets



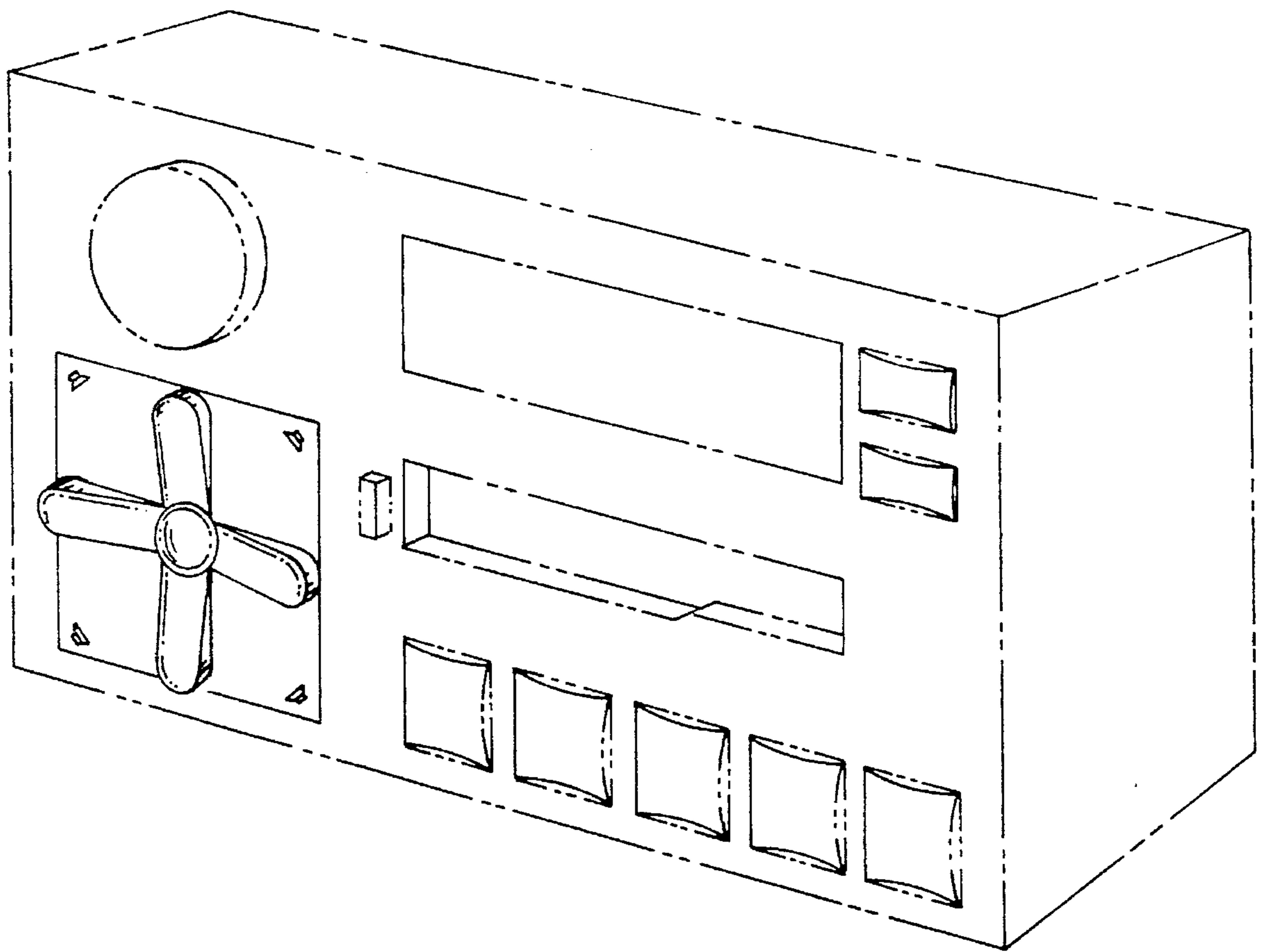


FIG. 1

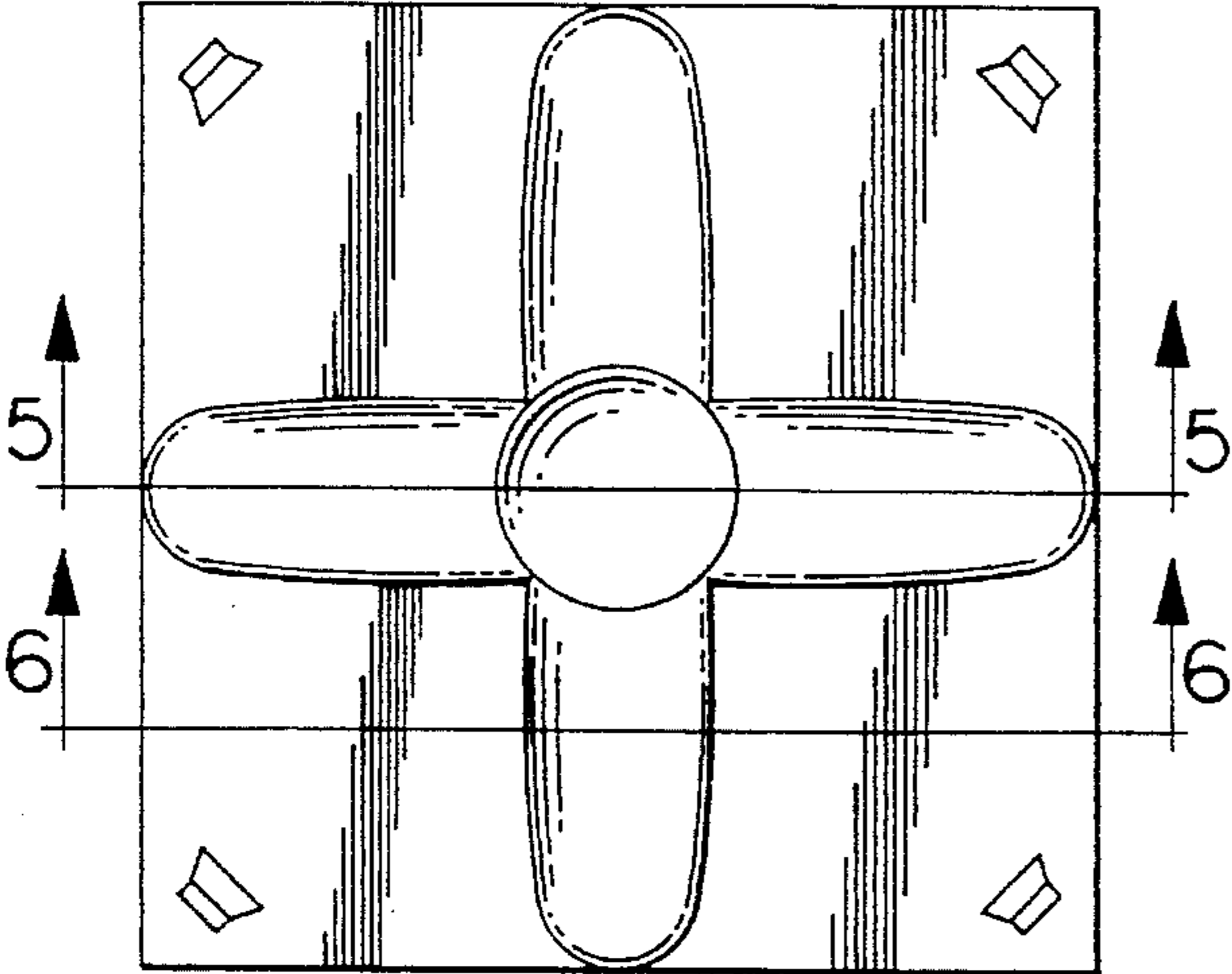


FIG. 2

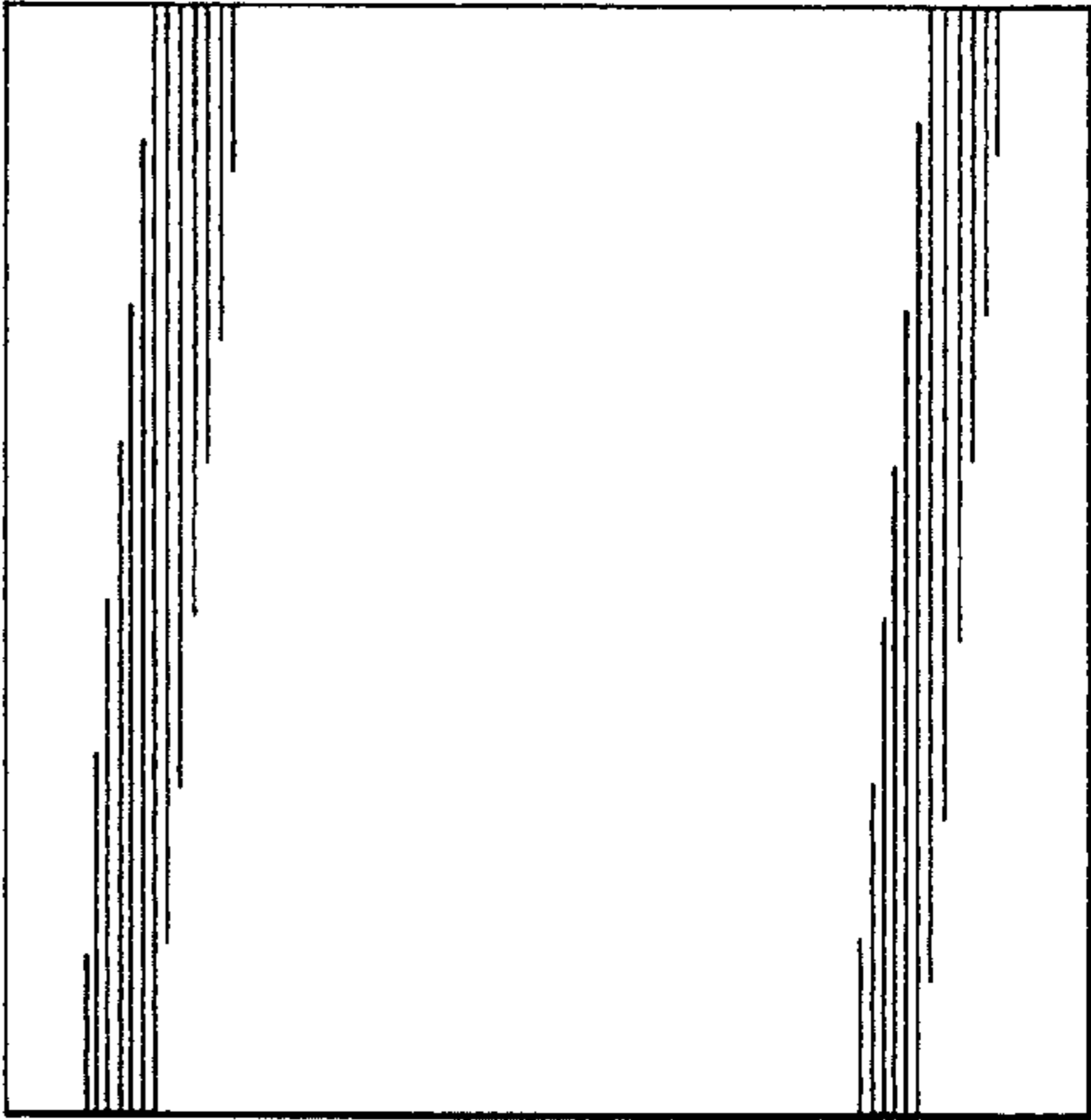


FIG. 3

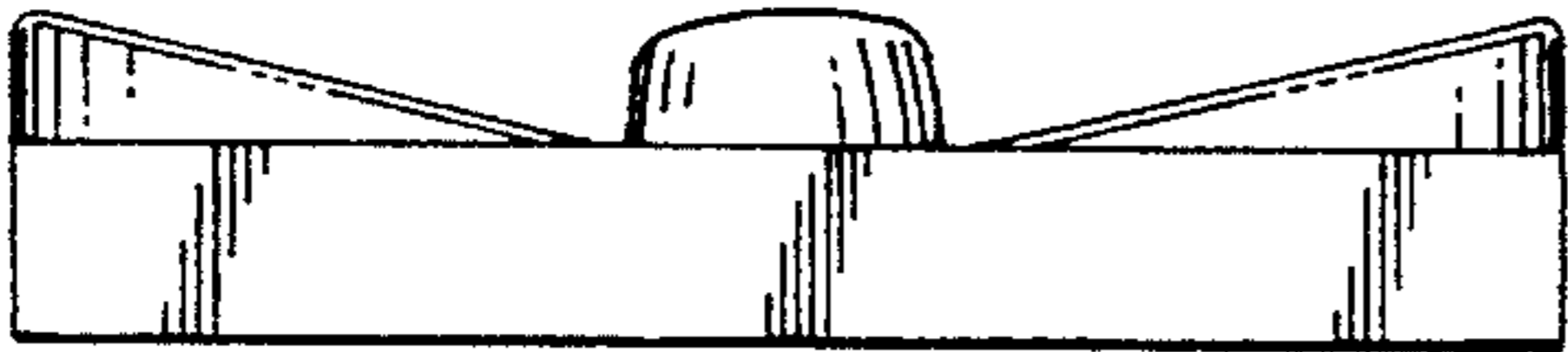


FIG. 4



FIG. 5



FIG. 6

FIG. 7

