



US00D371541S

United States Patent [19]
Ezaki

[11] **Patent Number: Des. 371,541**
[45] **Date of Patent: **Jul. 9, 1996**

[54] **ELECTRICAL CONNECTOR**

[75] Inventor: **Masakazu Ezaki**, Tokyo, Japan
[73] Assignee: **Hirose Electric Co., Ltd.**, Tokyo, Japan
[**] Term: **14 Years**

[21] Appl. No.: **39,663**
[22] Filed: **Jun. 1, 1995**

[30] **Foreign Application Priority Data**

Feb. 3, 1995 [JP] Japan 7-2417
[52] **U.S. Cl.** **D13/147**
[58] **Field of Search** D13/146, 147;
439/59, 62, 328, 692, 695, 701, 709, 712,
724

[56] **References Cited**

U.S. PATENT DOCUMENTS

4,713,013 12/1987 Regnier et al. 439/328 X
5,000,703 3/1991 Biederstedt et al. 439/709
5,044,979 9/1991 Siemon et al. 439/724 X
5,163,854 11/1992 Licht et al. 439/59 X

FOREIGN PATENT DOCUMENTS

0350710 1/1990 European Pat. Off. 439/59

OTHER PUBLICATIONS

Molex connectors on p. 9F of Molex Cat. No. 890 2nd edtn.
Located in examiner's office.

Primary Examiner—Joel Sincavage
Attorney, Agent, or Firm—Kanesaka & Takeuchi

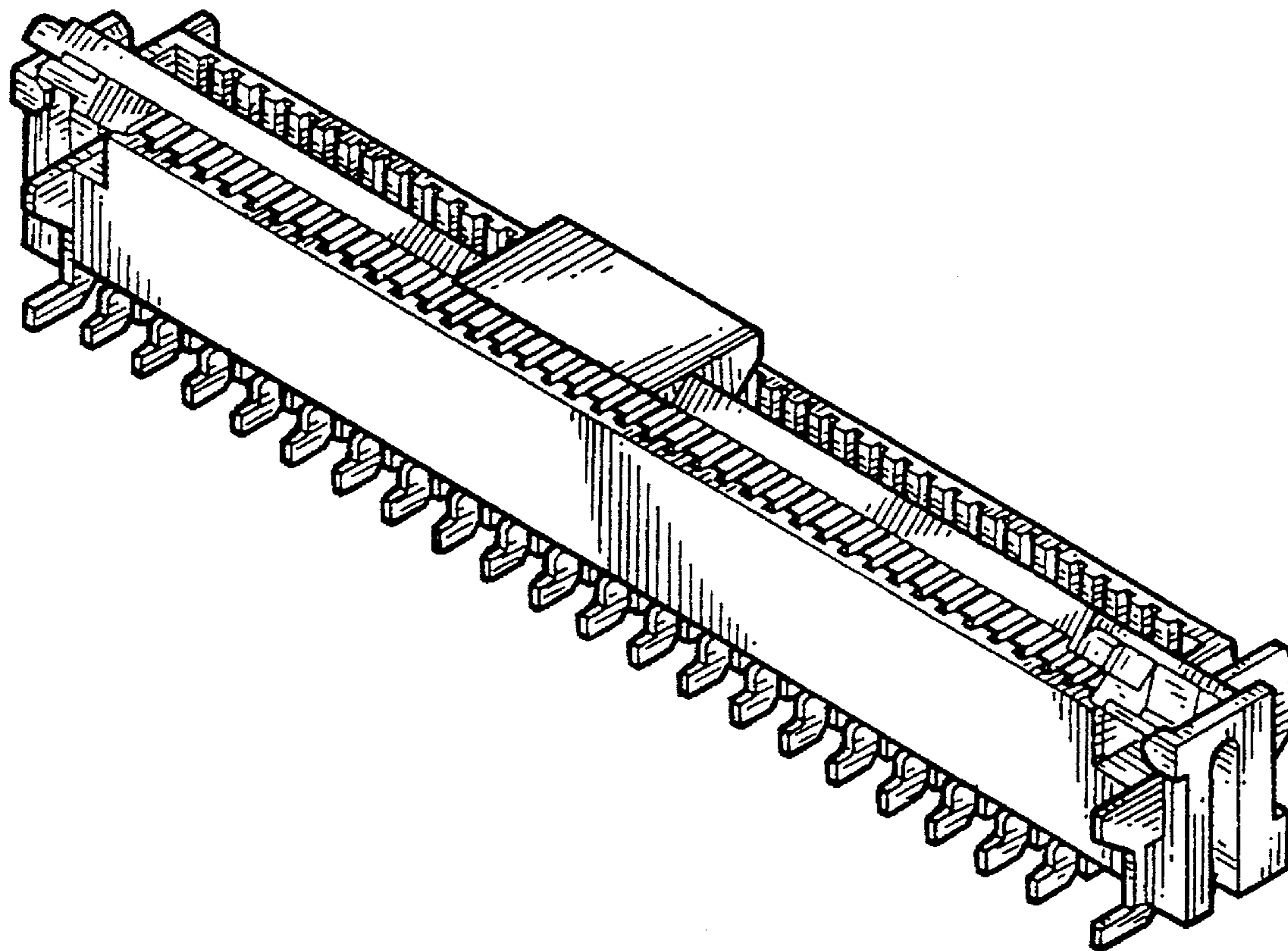
[57] **CLAIM**

The ornamental design for an electrical connector, as shown and described.

DESCRIPTION

FIG. 1 is a perspective view of an electrical connector showing an embodiment of my new design;
FIG. 2 is a top plan view thereof;
FIG. 3 is a front elevational view thereof;
FIG. 4 is a bottom plan view thereof;
FIG. 5 is a side elevational view thereof;
FIG. 6 is a rear elevational view thereof; and,
FIG. 7 is a sectional view thereof as shown on an enlarged scale and taken through the horizontal center of FIG. 2, looking left.

1 Claim, 3 Drawing Sheets



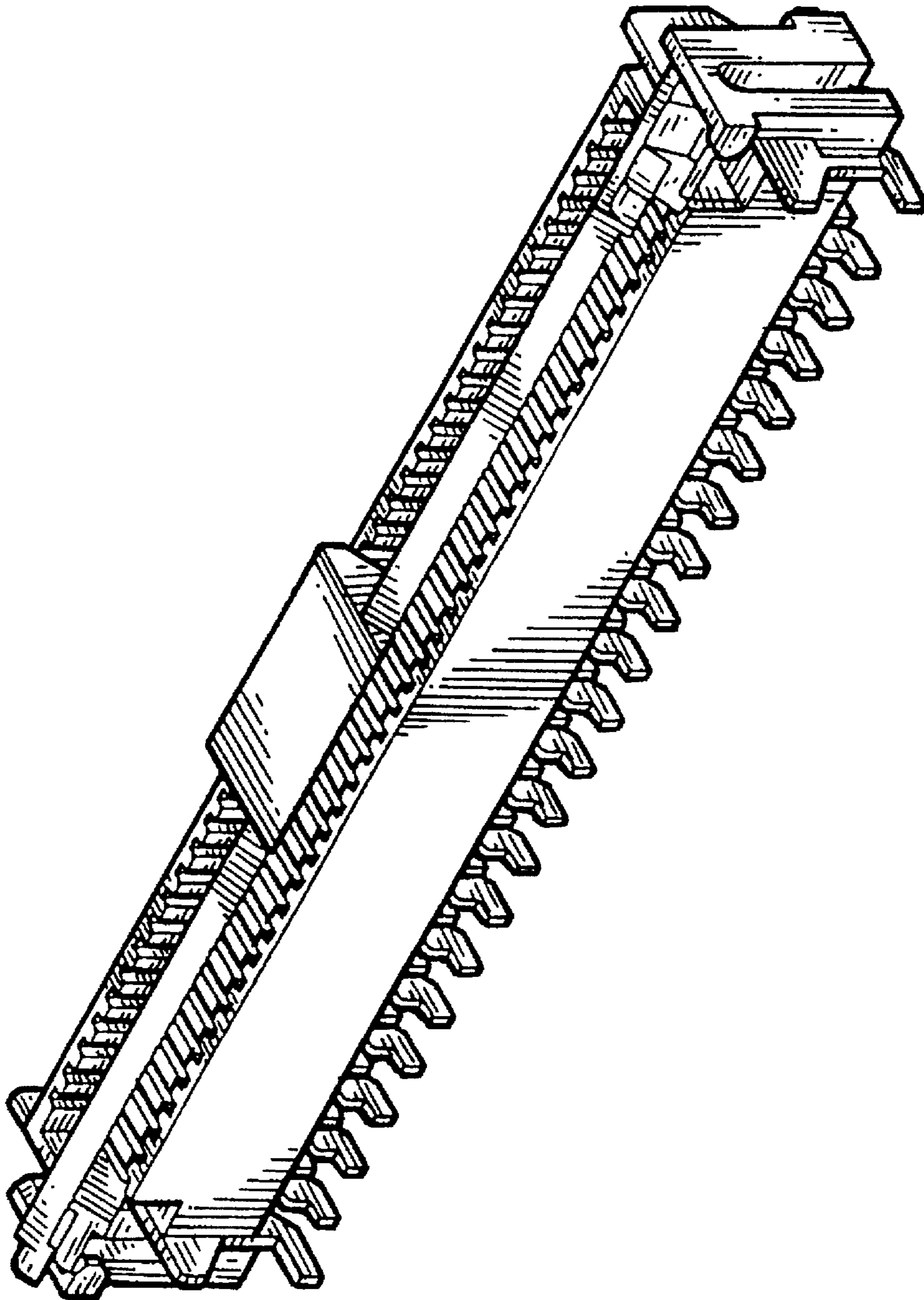


FIG. 1

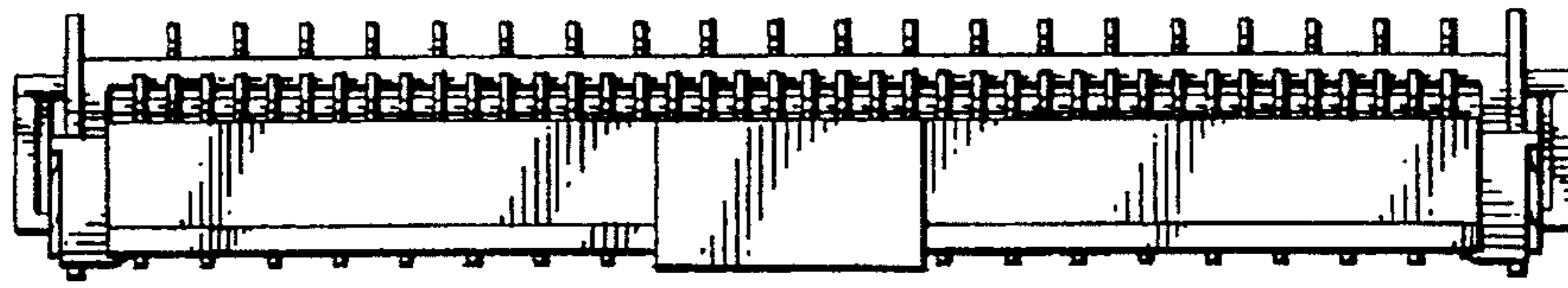


FIG. 2

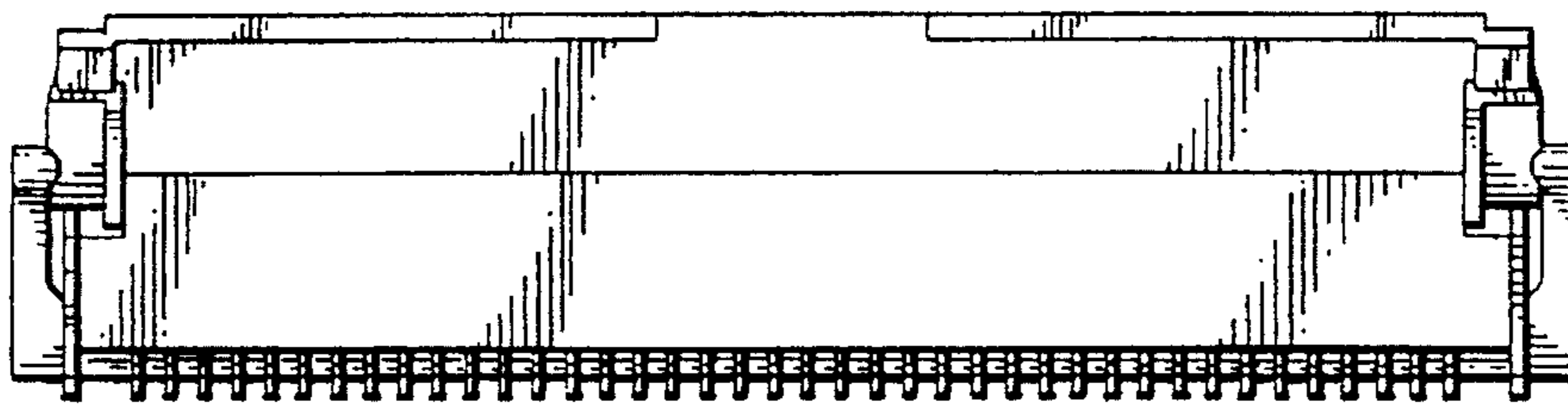


FIG. 3

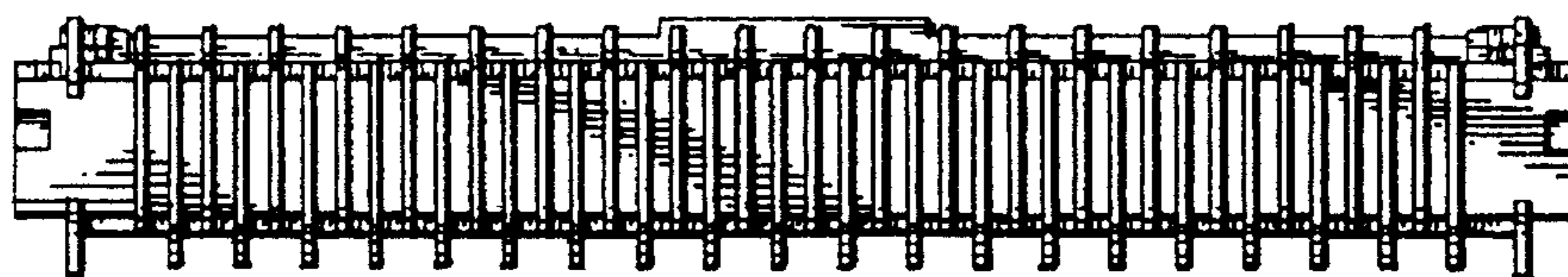


FIG. 4

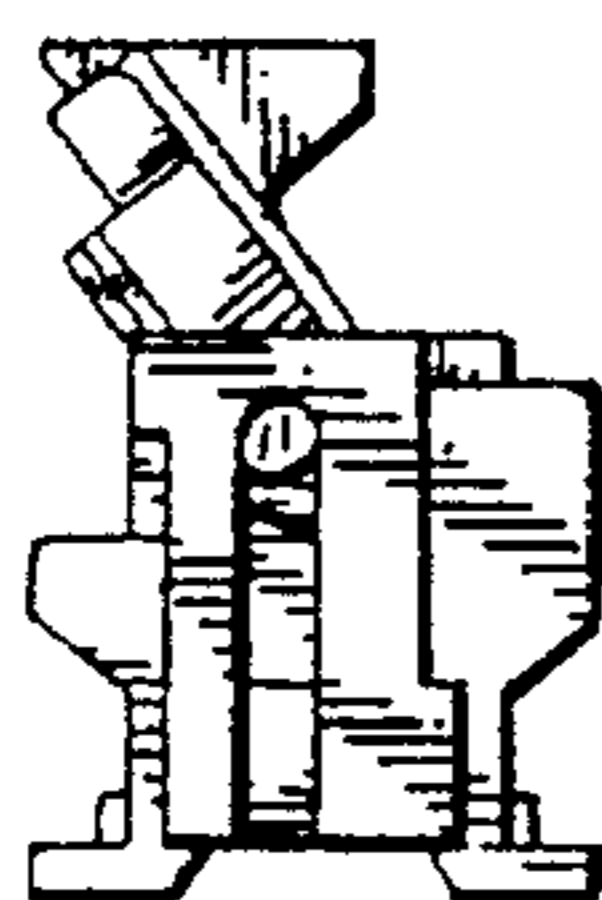


FIG. 5

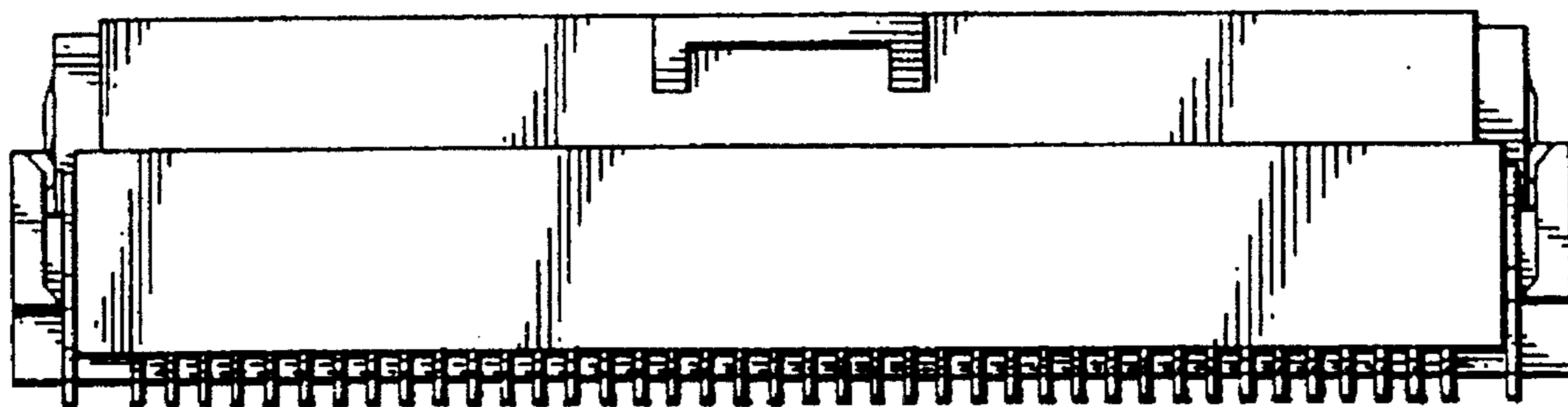


FIG. 6

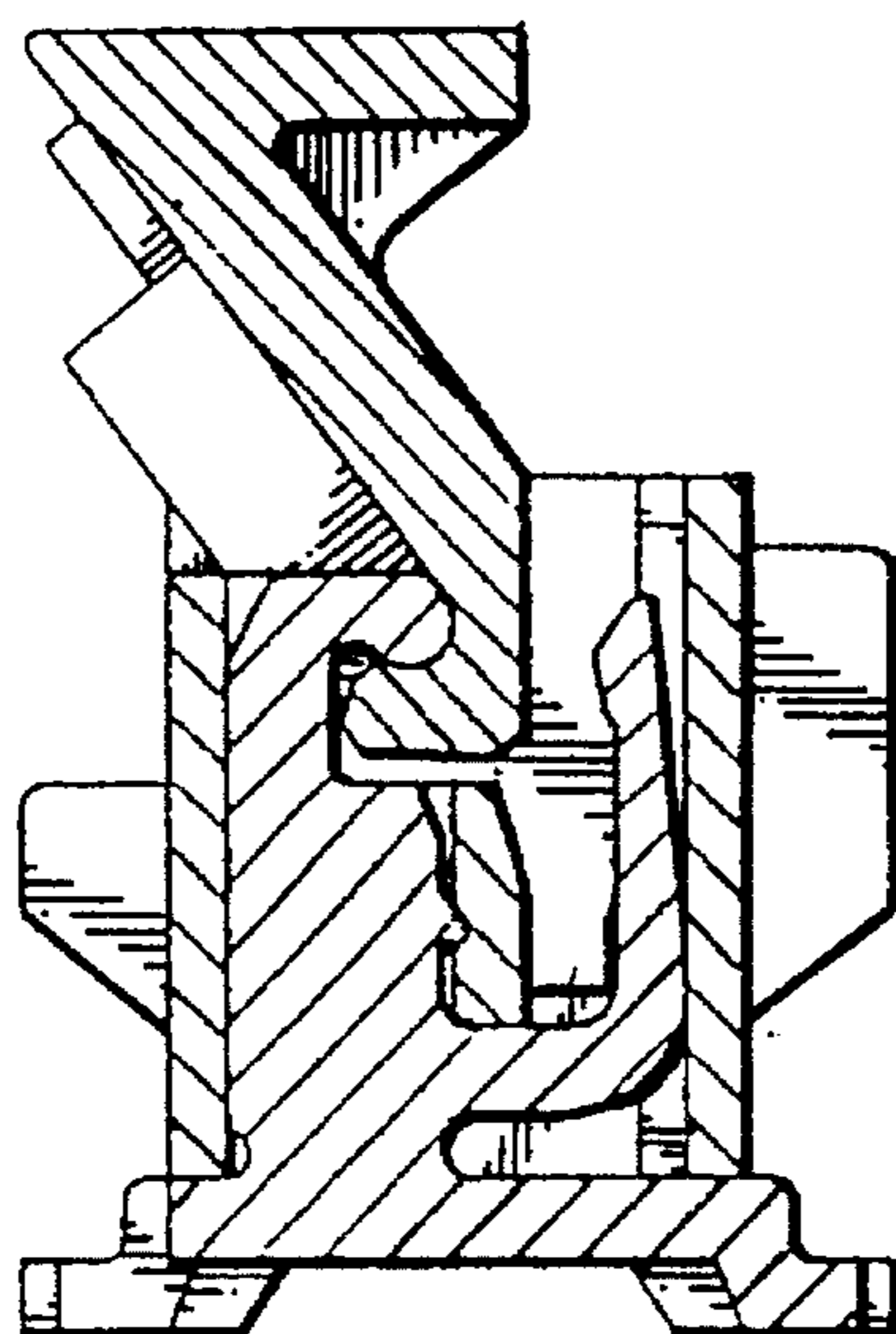


FIG. 7