



US00D371539S

**United States Patent** [19]  
**O’Glee**

[11] **Patent Number:** **Des. 371,539**

[45] **Date of Patent:** **\*\*Jul. 9, 1996**

[54] **BATTERY POST CABLE ATTACHMENT**

5,171,169 12/1992 Butcher ..... 439/755  
5,263,877 11/1993 Mitani ..... 439/585

[76] Inventor: **Lanny D. O’Glee**, 166 Bobby Davis Rd., Shongaloo, La. 71072

*Primary Examiner*—Joel Sincavage  
*Attorney, Agent, or Firm*—John M. Harrison

[\*\*] Term: **14 Years**

[57] **CLAIM**

[21] Appl. No.: **36,308**

The ornamental design for a battery post cable attachment, as shown and described.

[22] Filed: **Mar. 17, 1995**

[52] U.S. Cl. .... **D13/120**

**DESCRIPTION**

[58] Field of Search ..... D13/120; 439/755,  
439/764, 765, 801; 429/121

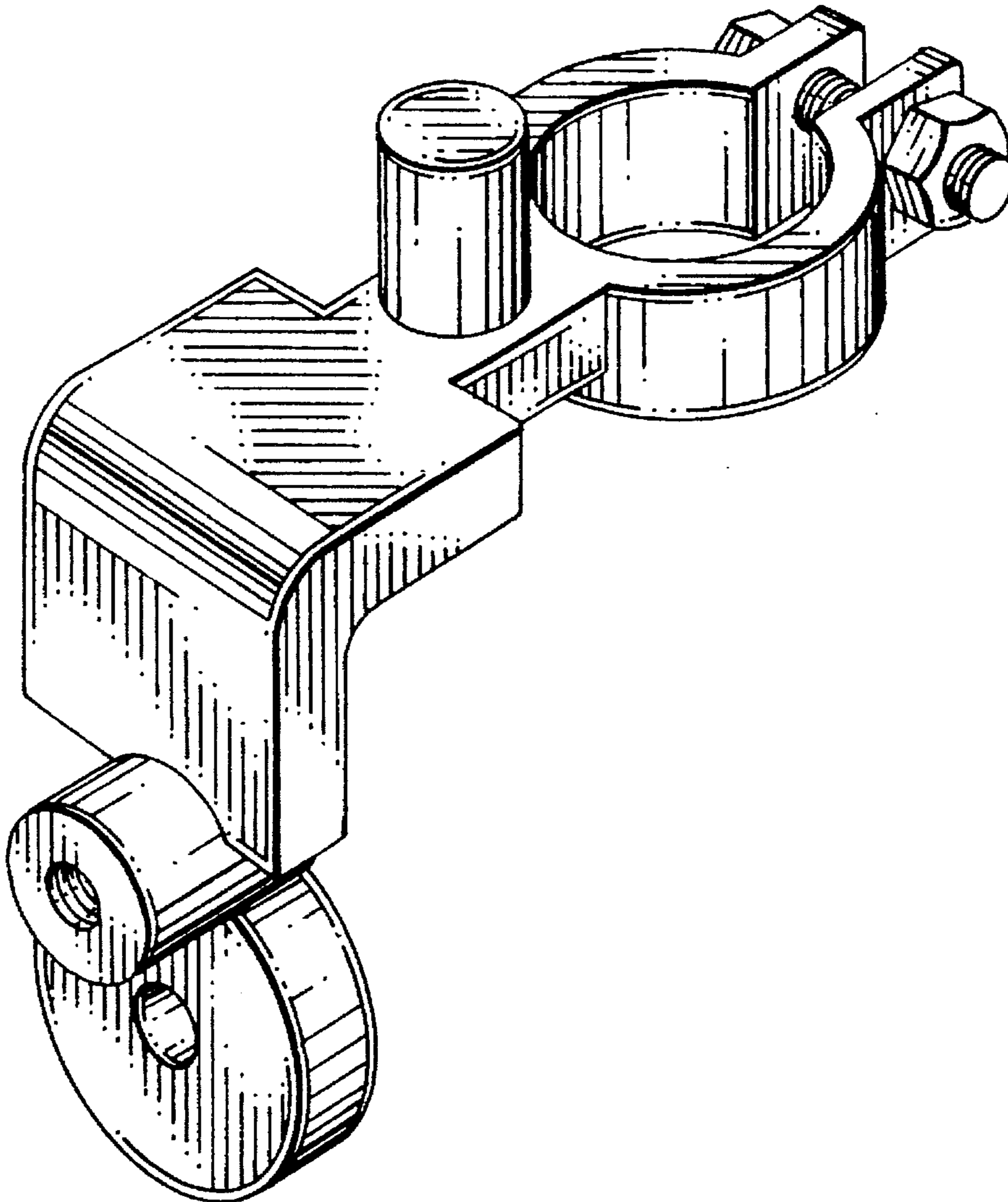
FIG. 1 is a perspective view of the battery post cable attachment, showing my new design;  
FIG. 2 is a left side view of the battery post cable attachment;  
FIG. 3 is a top elevation thereof;  
FIG. 4 is a bottom elevation thereof;  
FIG. 5 is a front elevation thereof; and,  
FIG. 6 is a rear elevation of the battery post cable attachment illustrated in FIGS. 1-5.

[56] **References Cited**

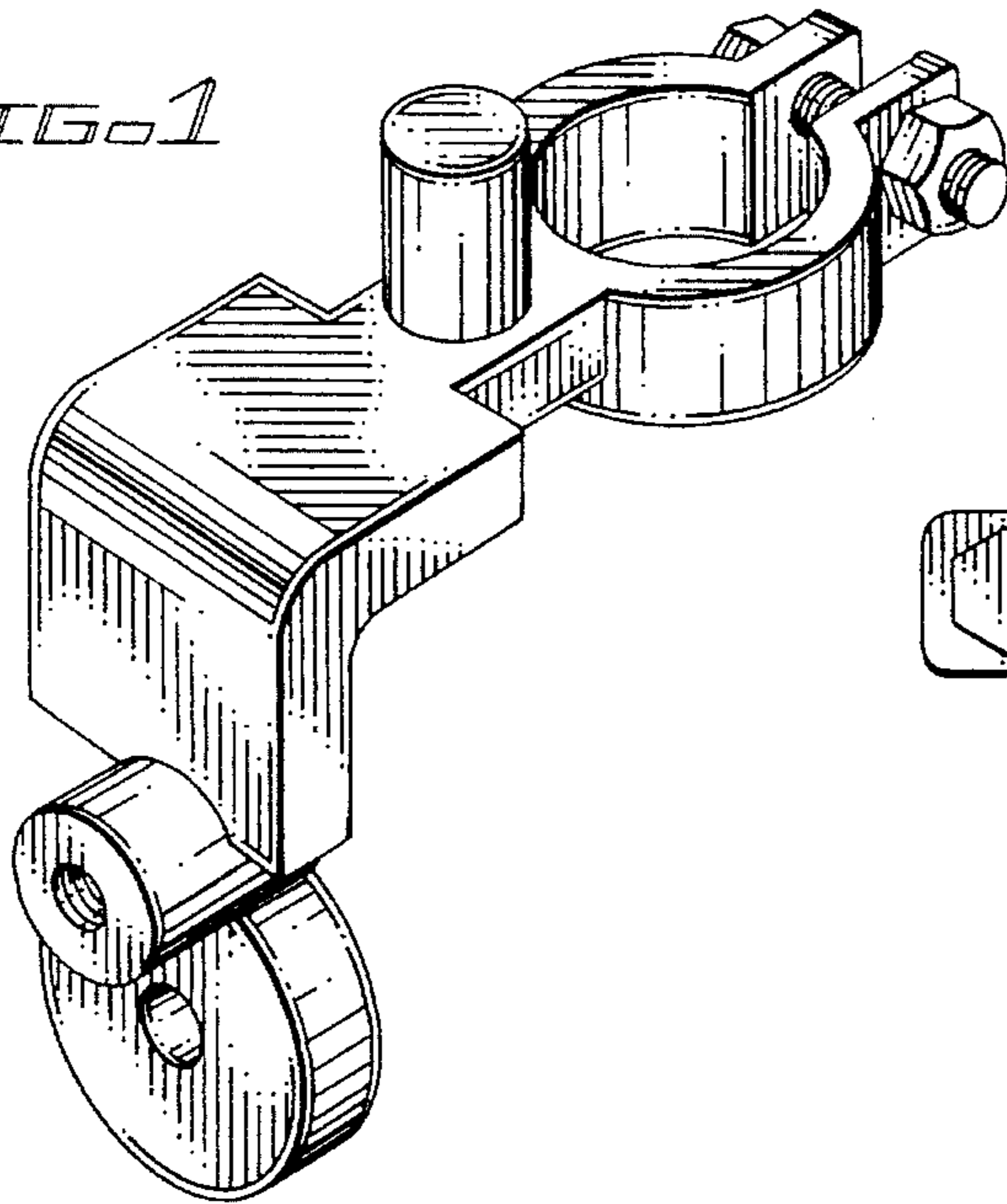
**U.S. PATENT DOCUMENTS**

D. 289,632	5/1987	Chartrain et al. ....	D13/120
D. 290,597	6/1987	Sherman .....	D13/120
2,578,191	12/1951	Longaker .....	136/135
3,605,065	9/1971	Shannon .....	339/28 R
4,390,232	6/1983	Jamgotchian .....	339/224
4,636,025	1/1987	Norris .....	339/230
4,936,799	6/1990	Woodall .....	439/755

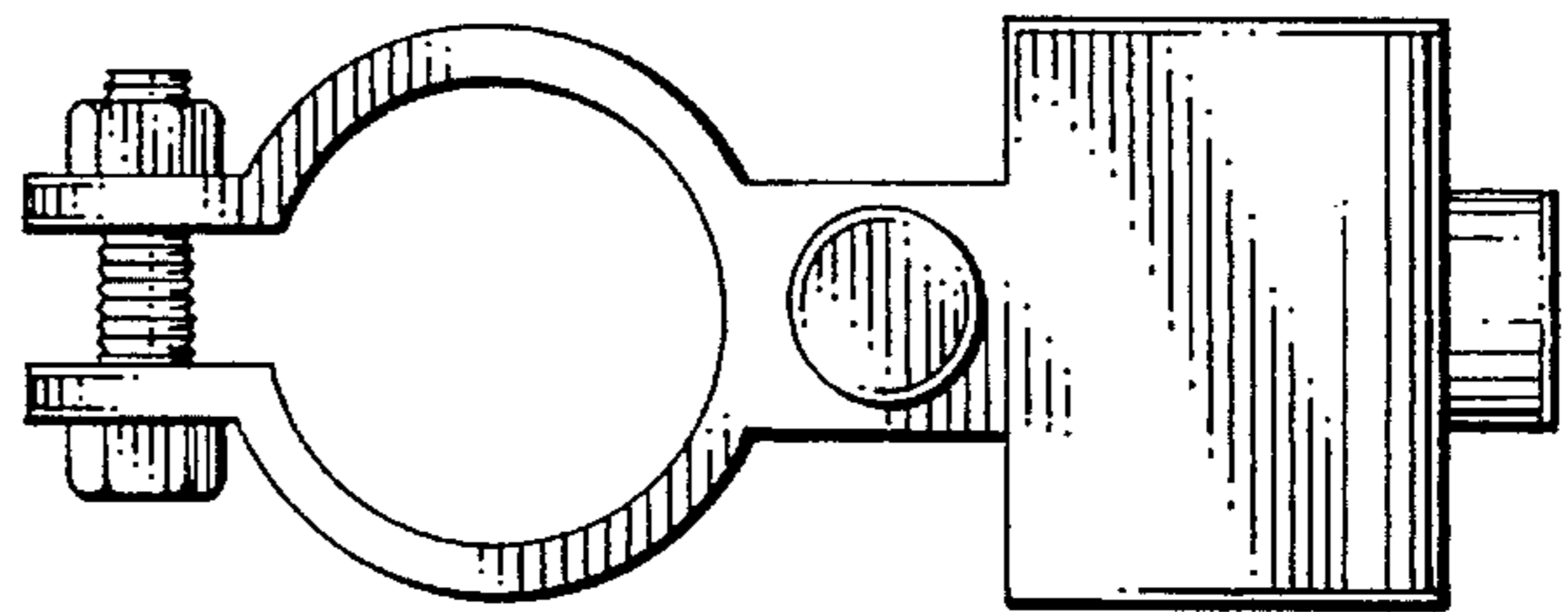
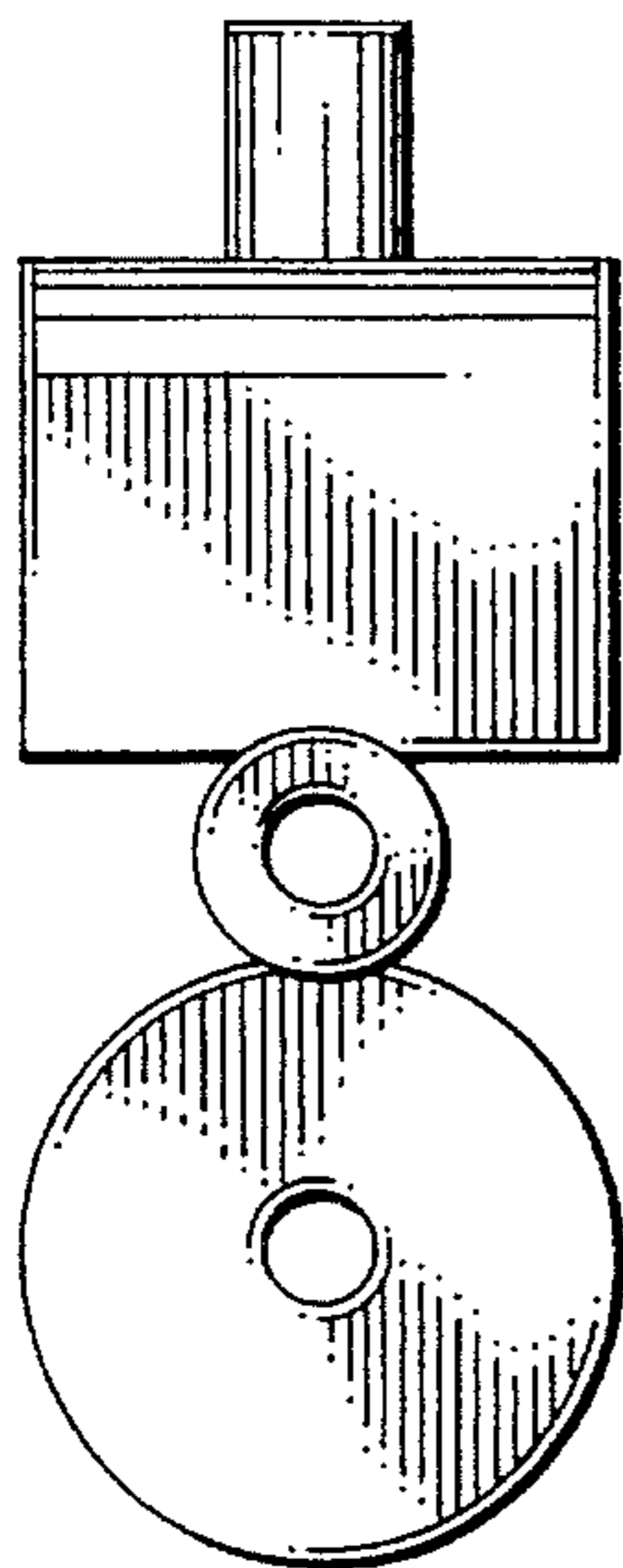
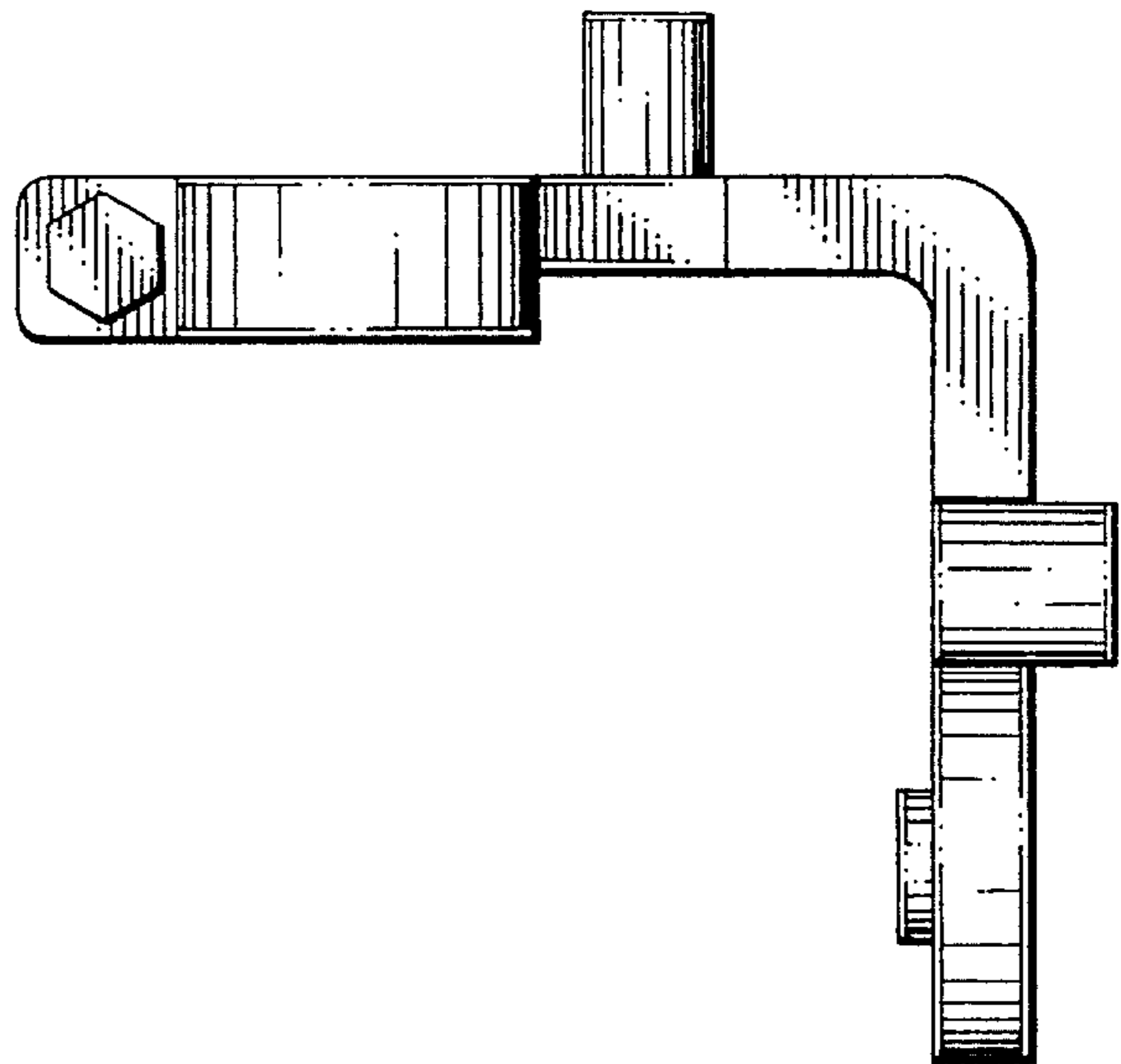
**1 Claim, 1 Drawing Sheet**



*FIG. 1*

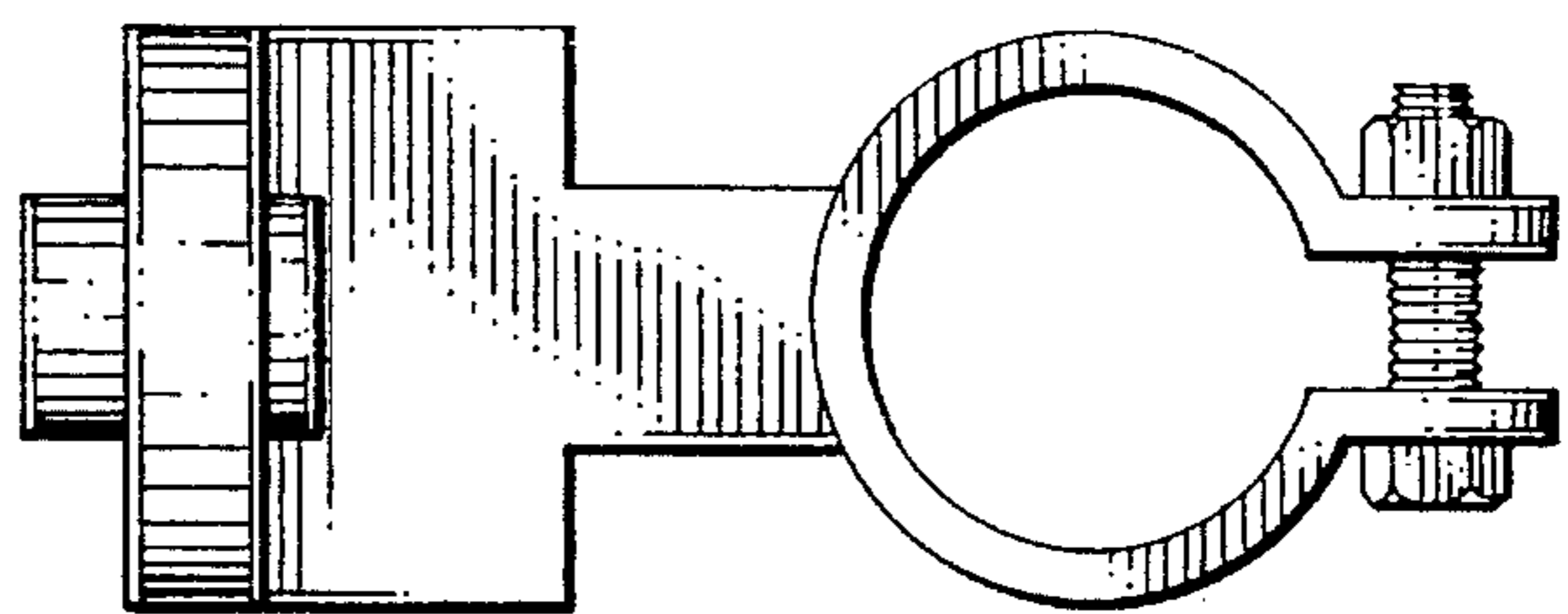
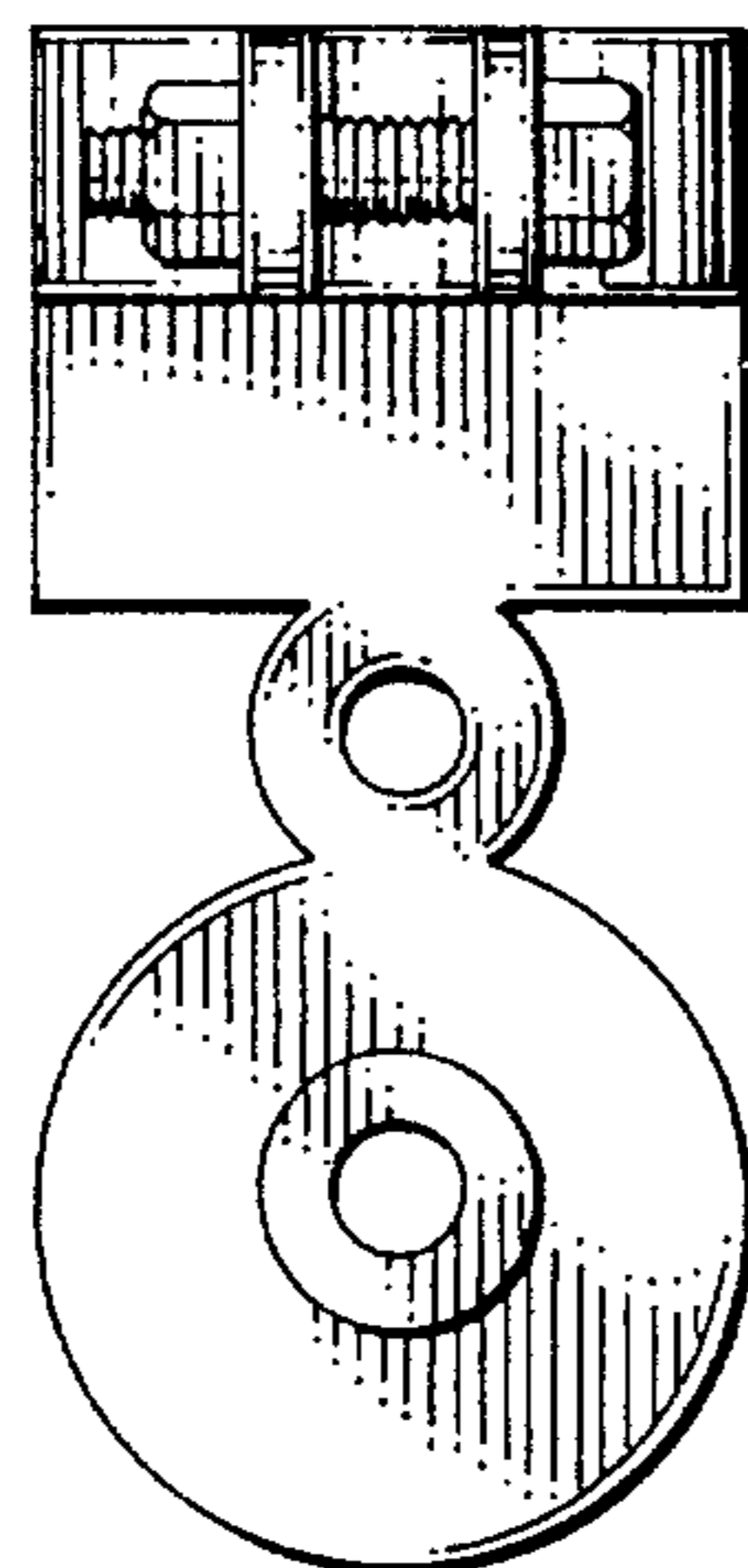


*FIG. 2*



*FIG. 3*

*FIG. 5*



*FIG. 4*

*FIG. 6*