



US00D371532S

United States Patent [19]

[11] Patent Number: **Des. 371,532**

Raevsky et al.

[45] Date of Patent: ****Jul. 9, 1996**

[54] **AUTOMOBILE SUN VISOR AND SCREEN COMBINATION**

[76] Inventors: **Vitaly G. Raevsky**, 401 Cranford Rd., Cherry Hill, N.J. 08003; **Valery Shishkin**, 801 Cooper landing Rd. Apt. 202B, Cherry Hill, N.J. 08002

[**] Term: **14 Years**

[21] Appl. No.: **31,401**

[22] Filed: **Nov. 25, 1994**

[52] U.S. Cl. **D12/191**

[58] Field of Search D12/190-191, D12/417; 296/97.1, 97.2-97.5, 97.6-97.8, 97.11; 224/312; 359/844, 850

[56] **References Cited**

U.S. PATENT DOCUMENTS

D. 291,430	8/1987	Vartanian et al.	D12/191
D. 297,227	8/1988	Zick	D12/191
D. 311,716	10/1990	Widrig	D12/191
D. 325,179	4/1992	Langlais	D12/191
D. 351,578	10/1994	Whitt	D12/191

4,171,845	10/1979	Hirsch	296/97.4
4,763,946	8/1988	Robbins	296/97 H
4,824,161	4/1989	Lee	296/97.8
4,926,295	5/1990	Tomuzaya	362/144
4,929,014	5/1990	Clark	296/97.8
5,076,633	12/1991	Hsu	296/97.4

Primary Examiner—Brian N. Vinson

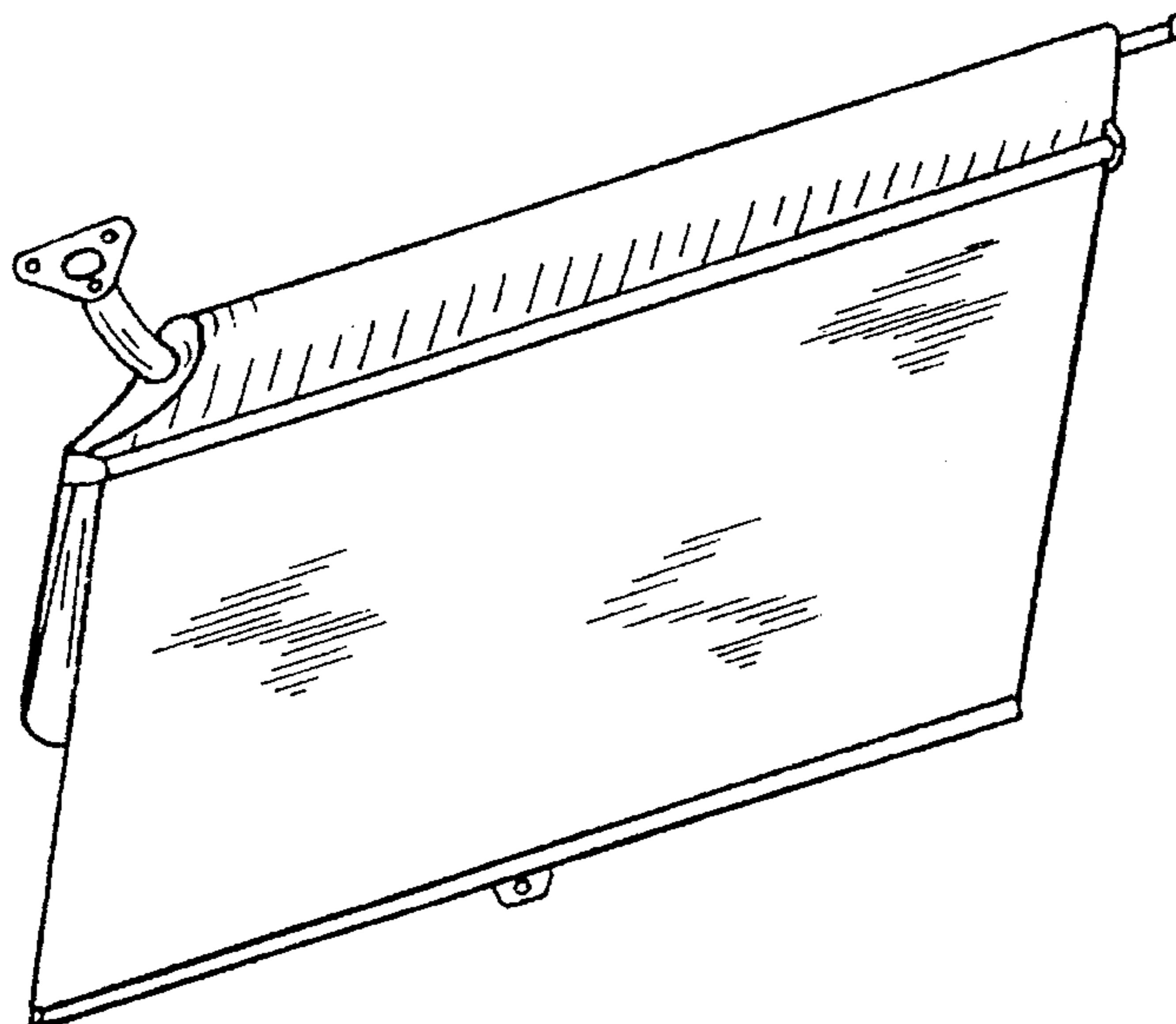
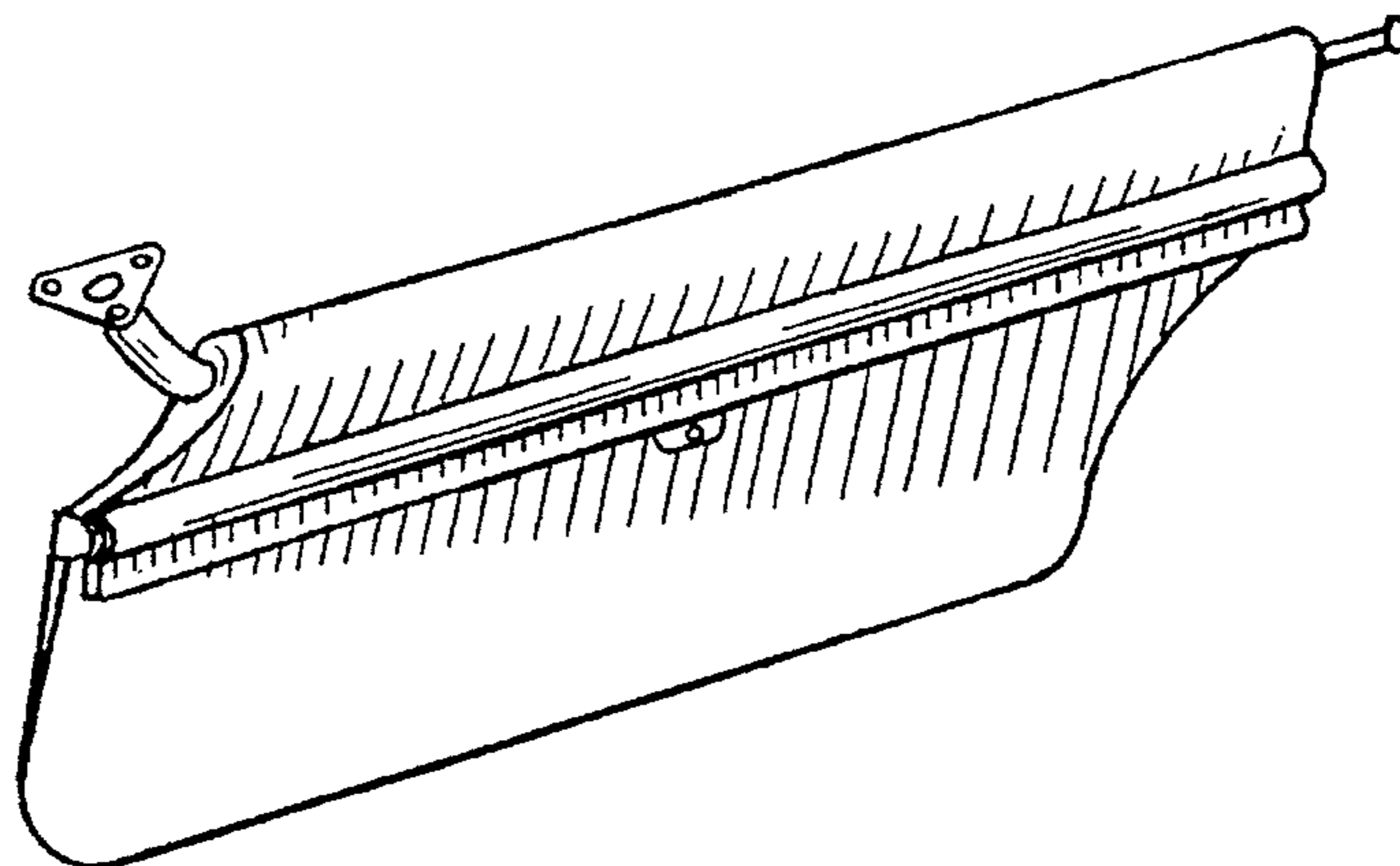
[57] **CLAIM**

The ornamental design for an automobile sun visor and screen combination, as shown and described.

DESCRIPTION

FIG. 1 is a perspective view of an automobile sun visor and screen combination showing our new design;
 FIG. 2 is a front view of the automobile sun visor and screen combination;
 FIG. 3 is a side view of the automobile sun visor and screen combination;
 FIG. 4 is a top view of the automobile sun visor and screen combination; and,
 FIG. 5 is a perspective view of the automobile sun visor and screen with an unrolled screen.

1 Claim, 1 Drawing Sheet



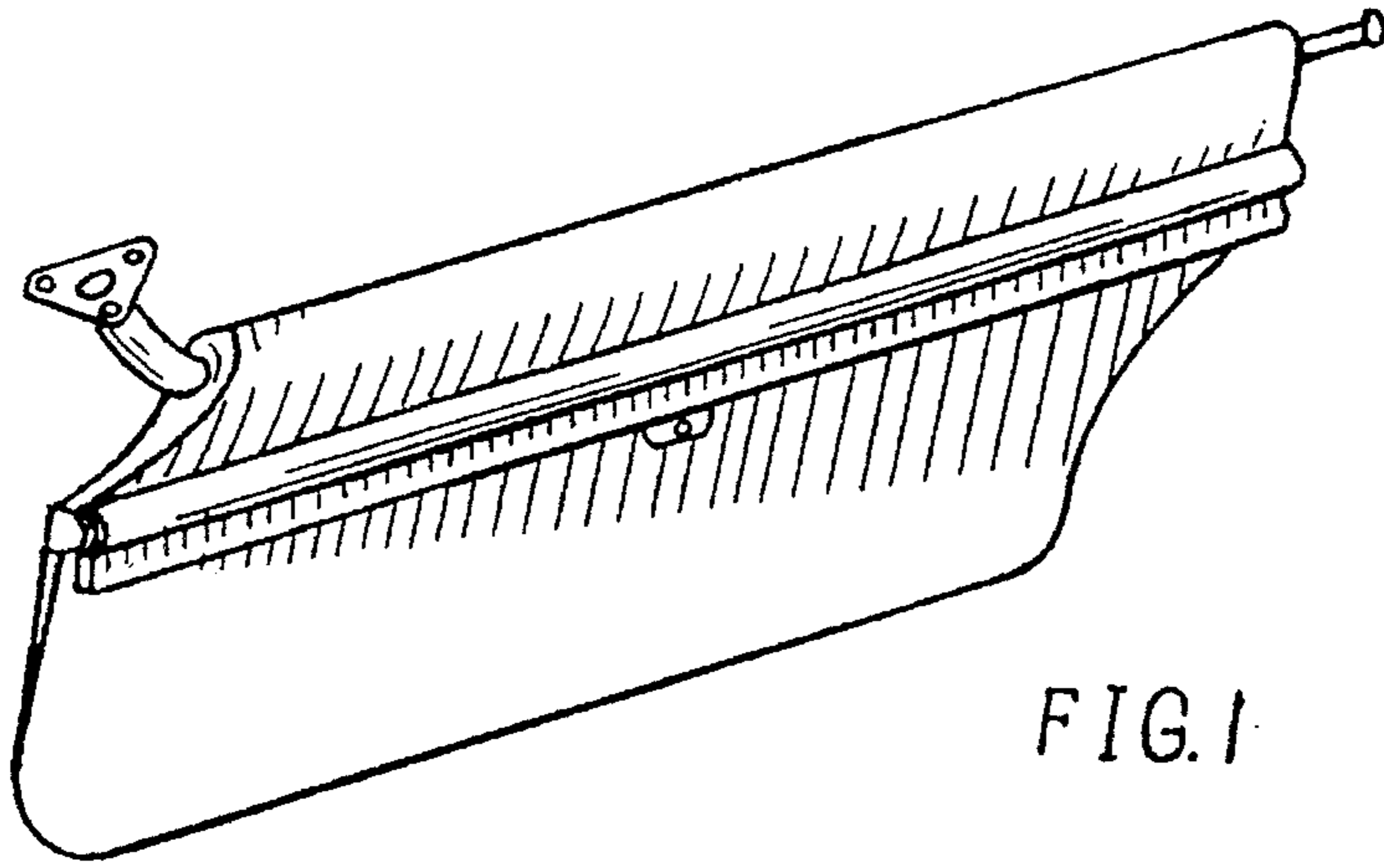


FIG. 1

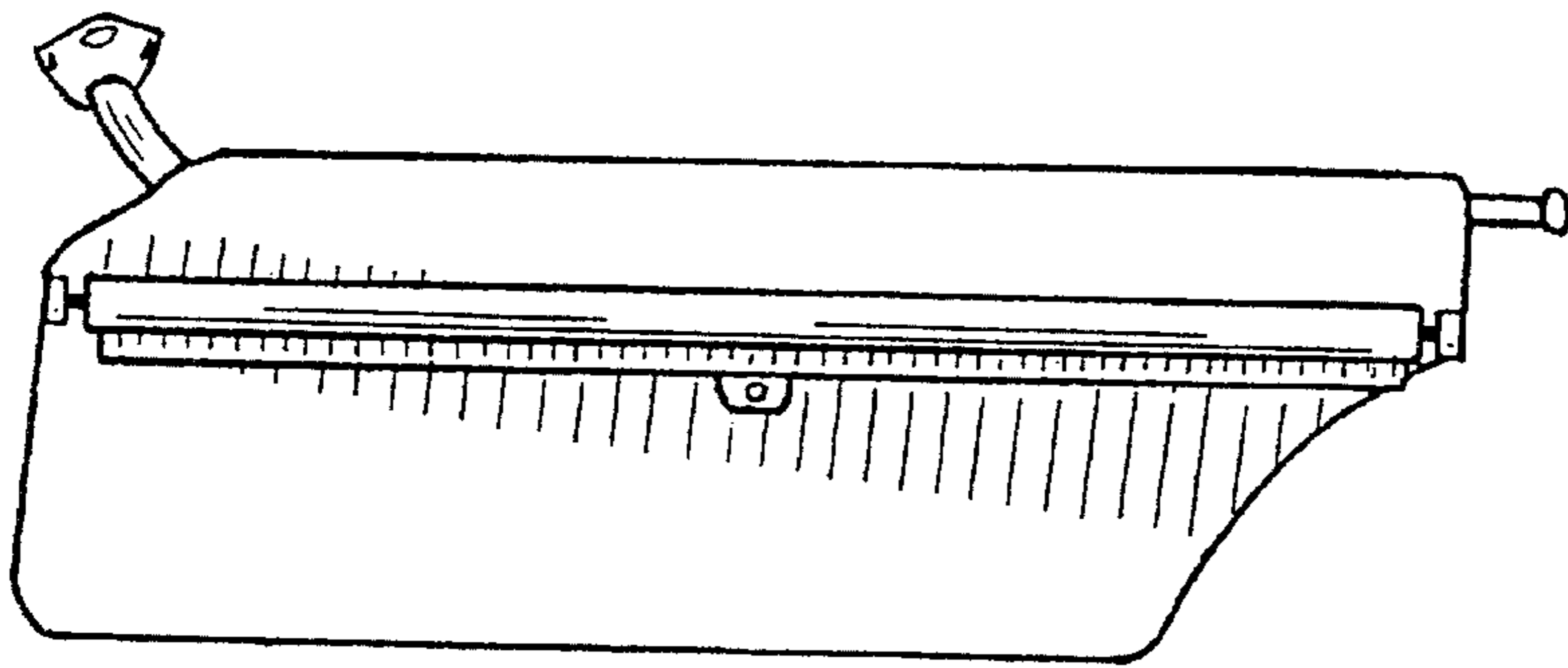


FIG. 2



FIG. 3

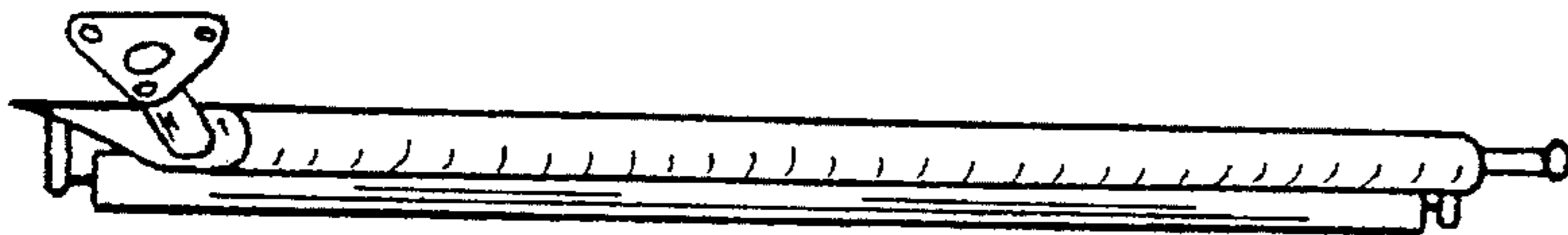


FIG. 4

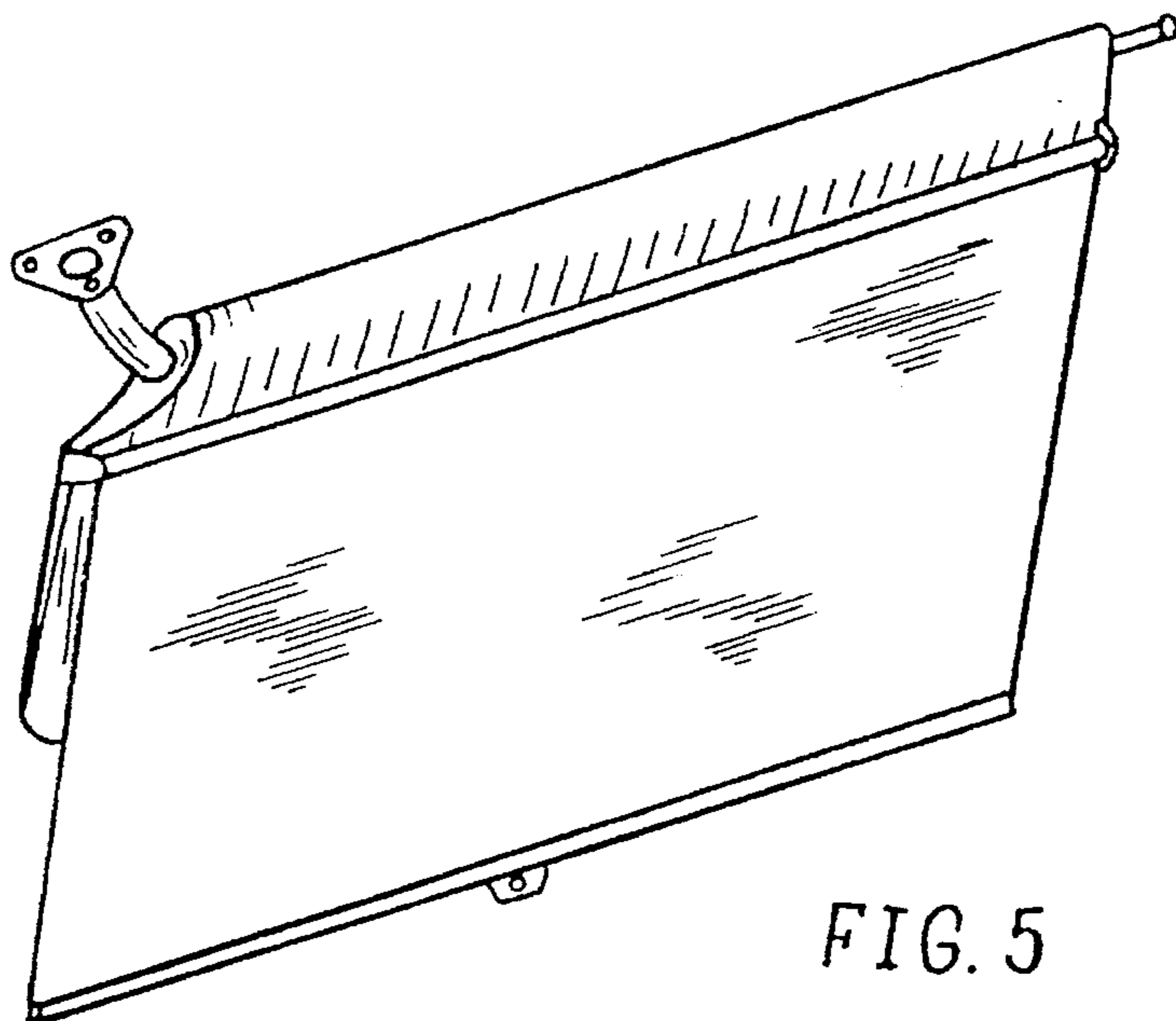


FIG. 5