



US00D371527S

United States Patent [19]
Wright

[11] **Patent Number: Des. 371,527**

[45] **Date of Patent: **Jul. 9, 1996**

[54] **MULTIPLE-UNIT MOBILE DISPLAY PAVILION**

[76] Inventor: **Jack R. Wright**, P.O. Box DD, Kimberly, Id. 83341

[**] Term: **14 Years**

[21] Appl. No.: **23,058**

[22] Filed: **May 17, 1994**

Related U.S. Application Data

[63] Continuation-in-part of Ser. No. 117,768, Sep. 7, 1993, which is a continuation-in-part of Ser. No. 81,010, Jun. 21, 1993, Pat. No. 5,375,899.

[52] **U.S. Cl.** **D12/97**

[58] **Field of Search** D12/97, 99, 100, D12/104; 296/26, 27, 21, 171, 181

References Cited

U.S. PATENT DOCUMENTS

D. 247,290	2/1978	Arnot, Jr. et al.	D12/97
D. 314,164	1/1991	Barber et al.	D12/97
D. 328,880	8/1992	Vysotsky et al.	D12/92
2,872,240	2/1959	Bennett	D12/97
3,181,203	5/1965	Wenger	20/1.126
3,751,102	8/1973	Stonebruner	D12/97
4,720,945	1/1988	Berranger et al.	52/7
5,375,899	12/1994	Wright	296/21

Primary Examiner—Marcus A. Jackson
Attorney, Agent, or Firm—Ken J. Pedersen; Barbara S. Pedersen

CLAIM

The ornamental design for a multiple-unit mobile display pavilion, as shown and described.

DESCRIPTION

FIG. 1 is an isometric view of my multiple-unit mobile

display pavilion design with the doors swung down to open the display areas and with the awnings extended;

FIG. 2 is a right side view of my design with the doors swung up to close the display areas and the awnings retracted for transport. The truck tractor, which is not part of the design, is shown in dashed lines;

FIG. 3 is a right side view of my design with the doors swung down to open the display areas and with the awnings extended;

FIG. 4 is a left side view of my design with the doors swung down to open the display areas and with the awnings extended;

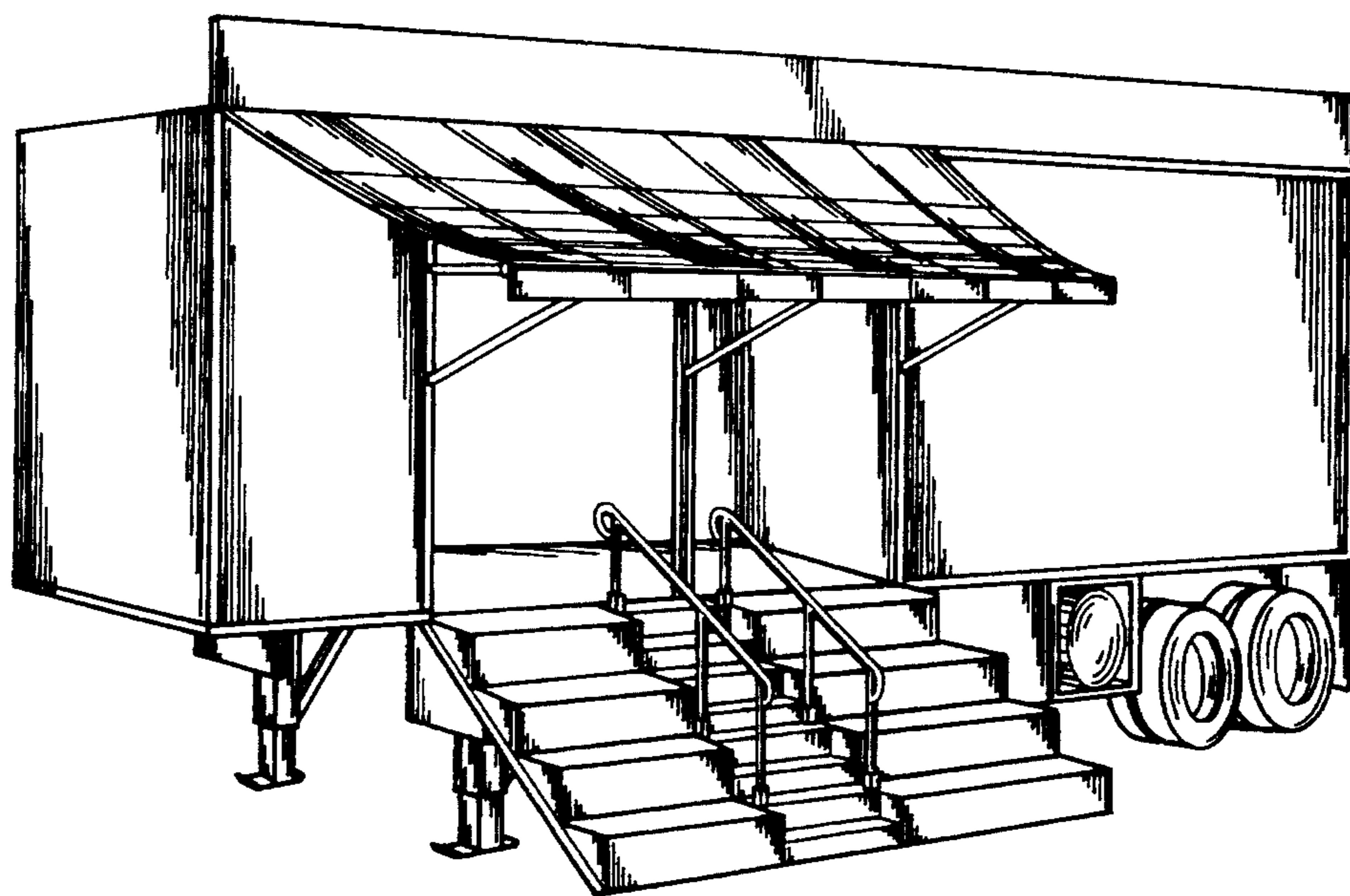
FIG. 5 is a top view of my design, with the front of the pavilion being toward the top of the page, and with the doors on both right and left sides swung down to open the display areas and the awnings extended;

FIG. 6 is a front view of my design with the doors on both right and left sides swung down to open the display areas and with both awnings extended;

FIG. 7 is a rear view of my design with the doors on both right and left sides swung down to open the display areas and with the awnings extended; and,

FIG. 8 is a bottom view of my design, with the front of the pavilion being toward the top of the page, and with the doors on both right and left sides swung down to open the display areas and with the awnings extended.

1 Claim, 7 Drawing Sheets



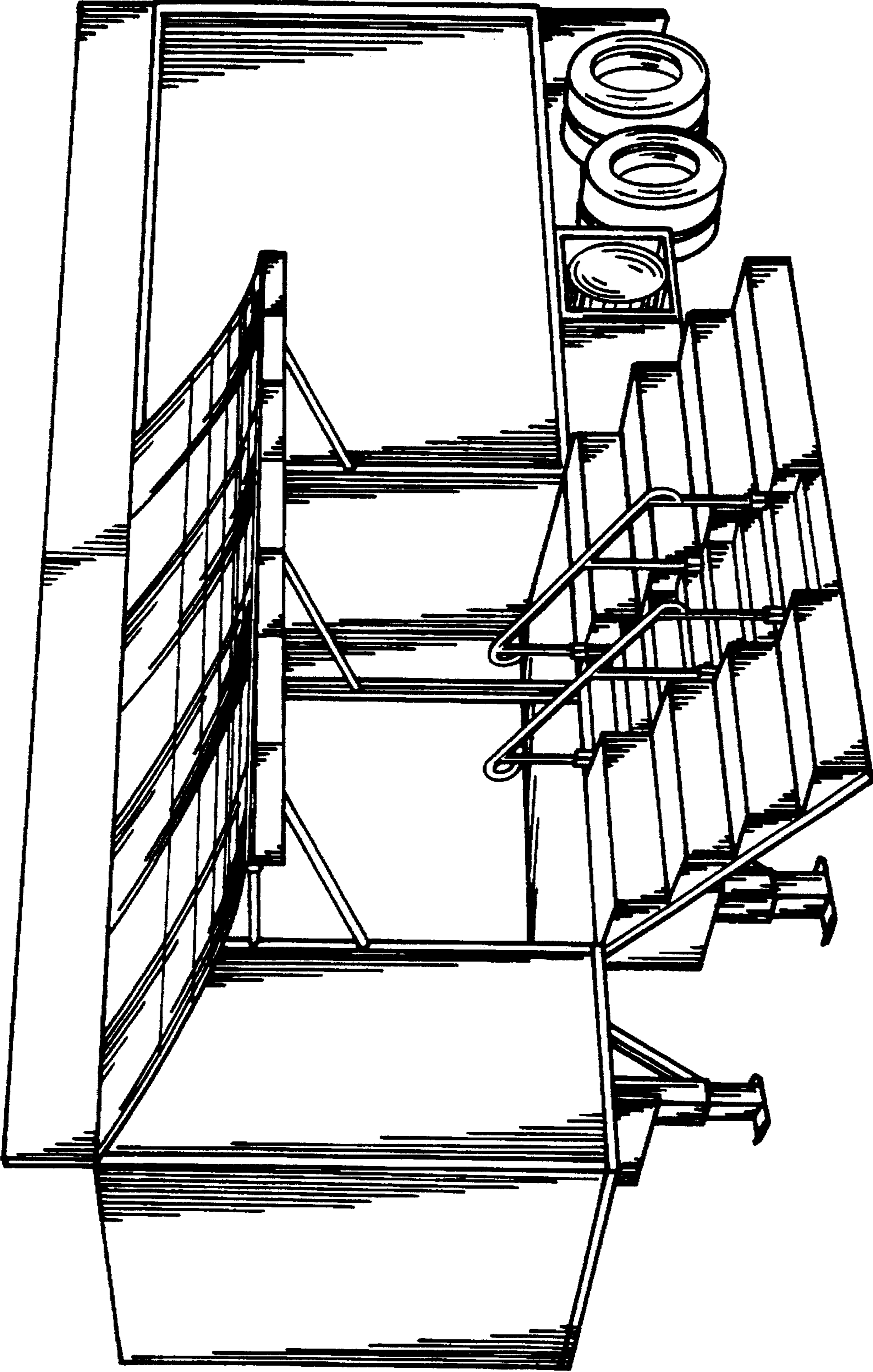


FIG. 1

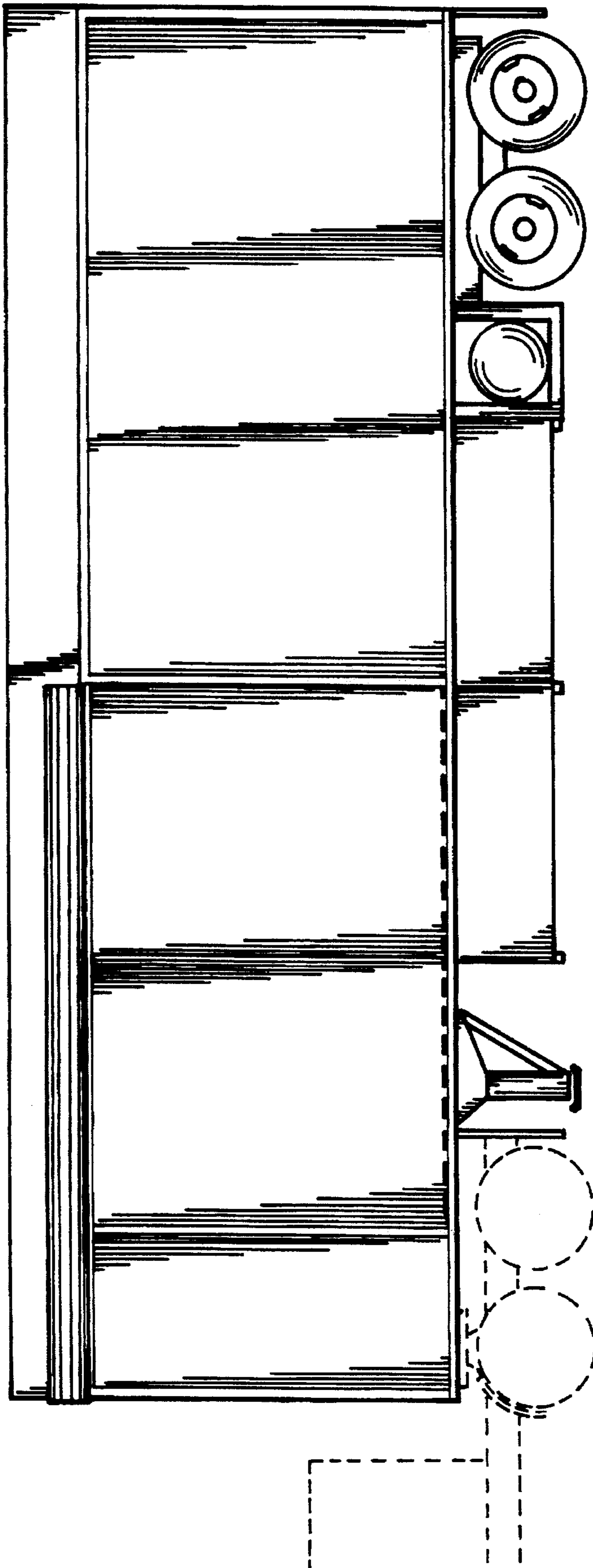


FIG. 2

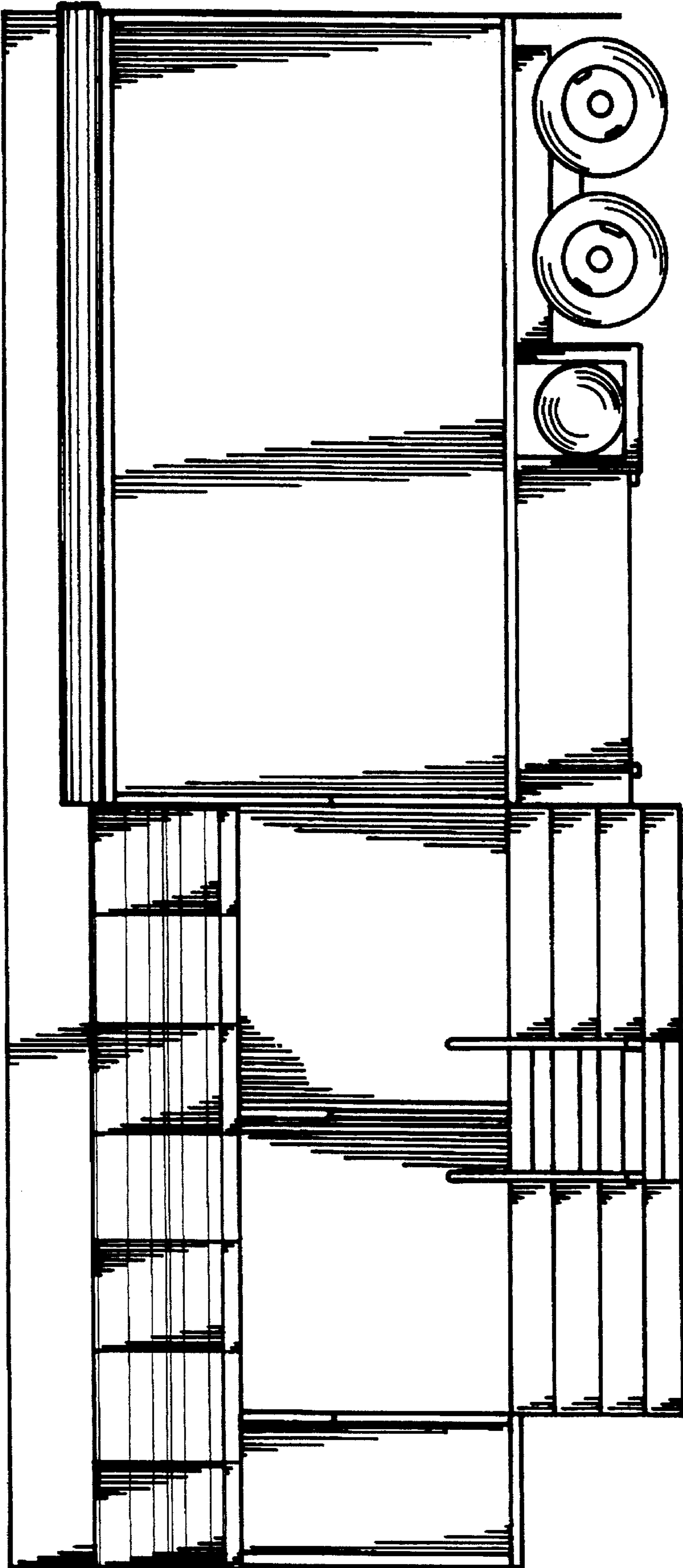


FIG. 3

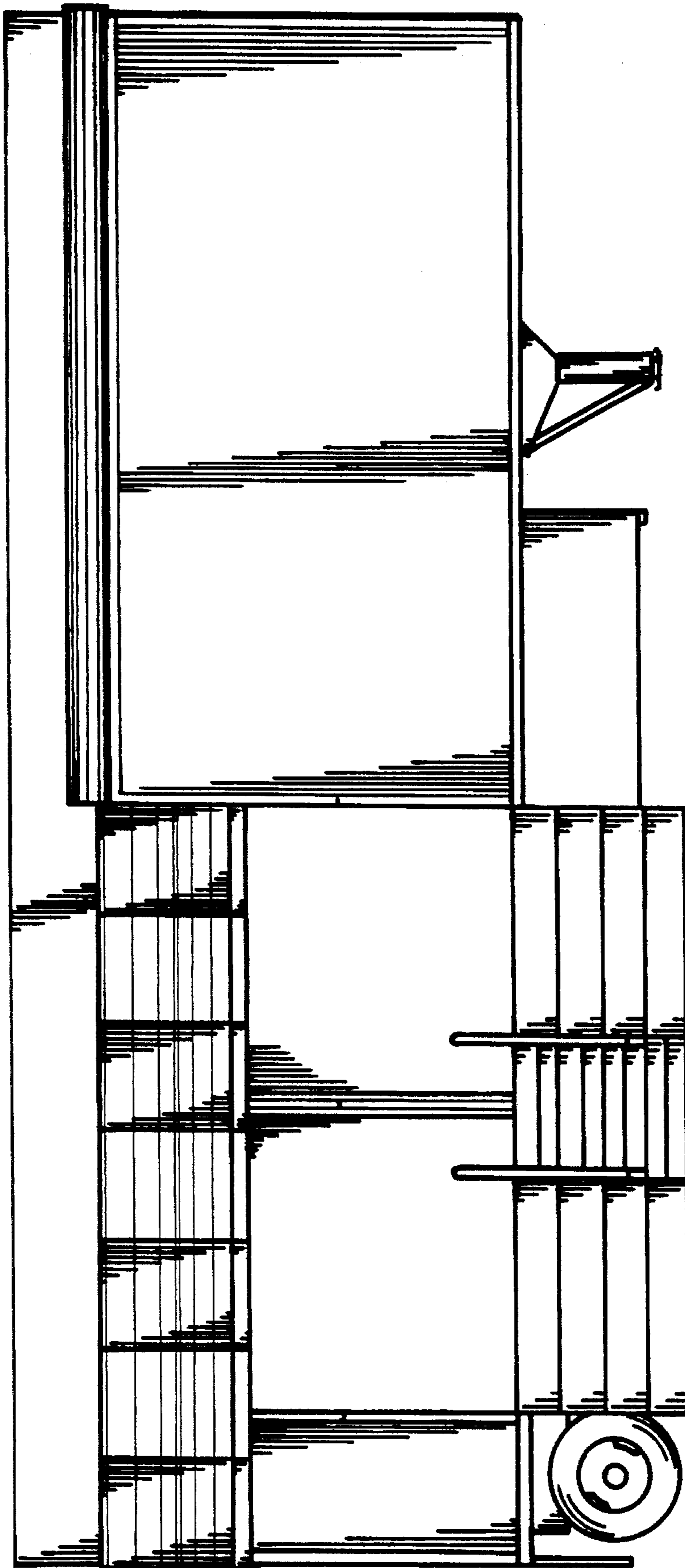


FIG. 4

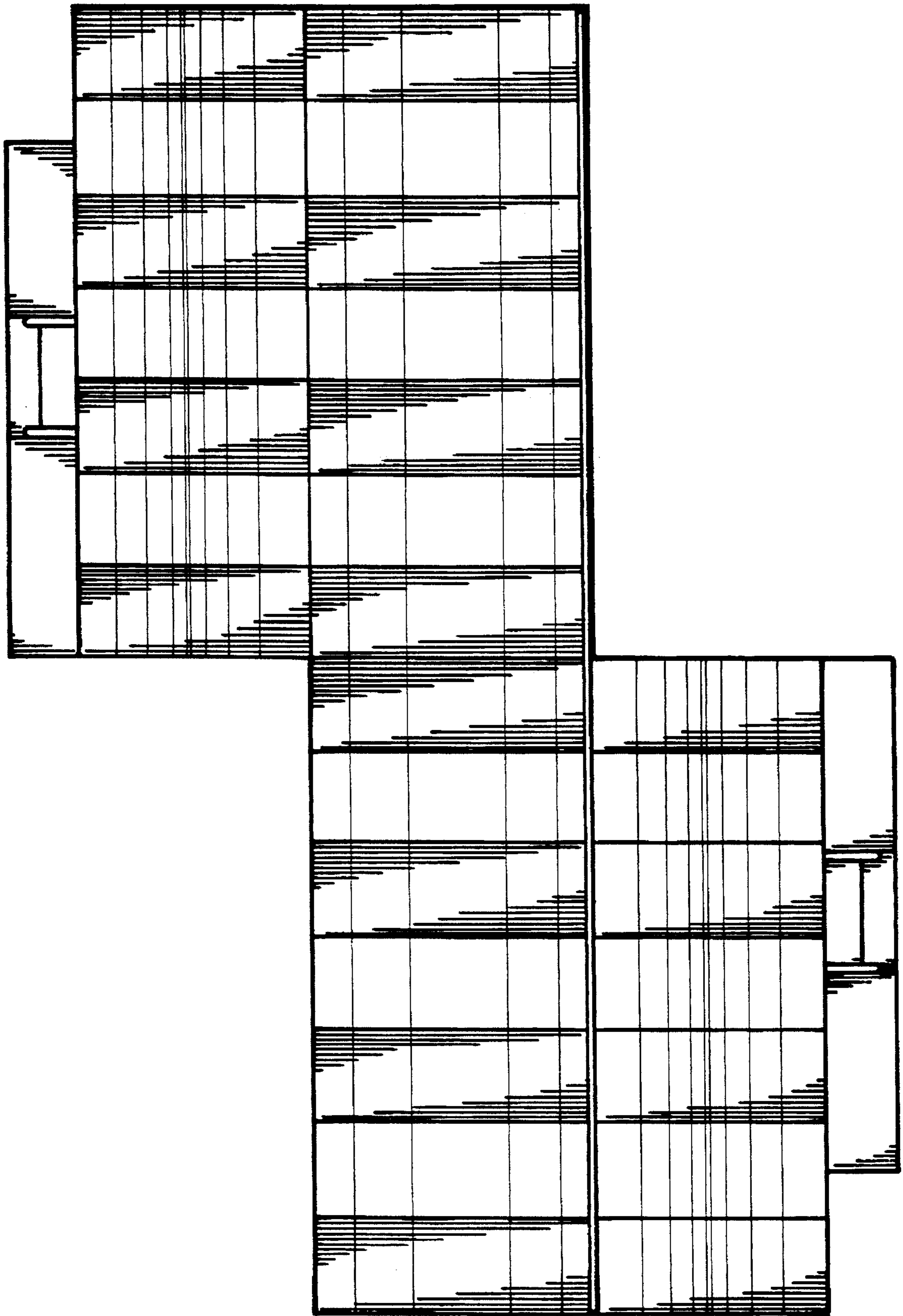


FIG. 5

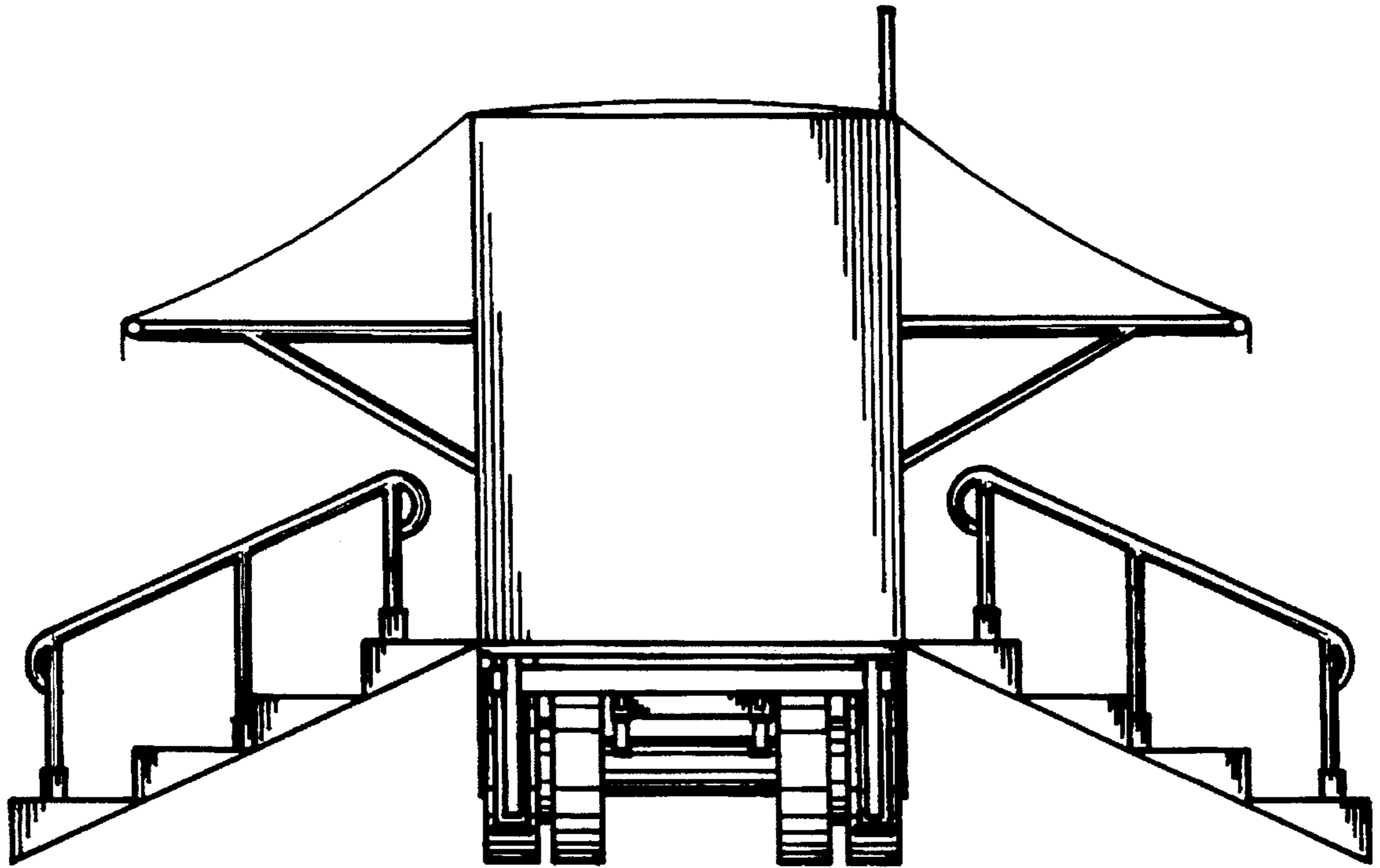


FIG. 6

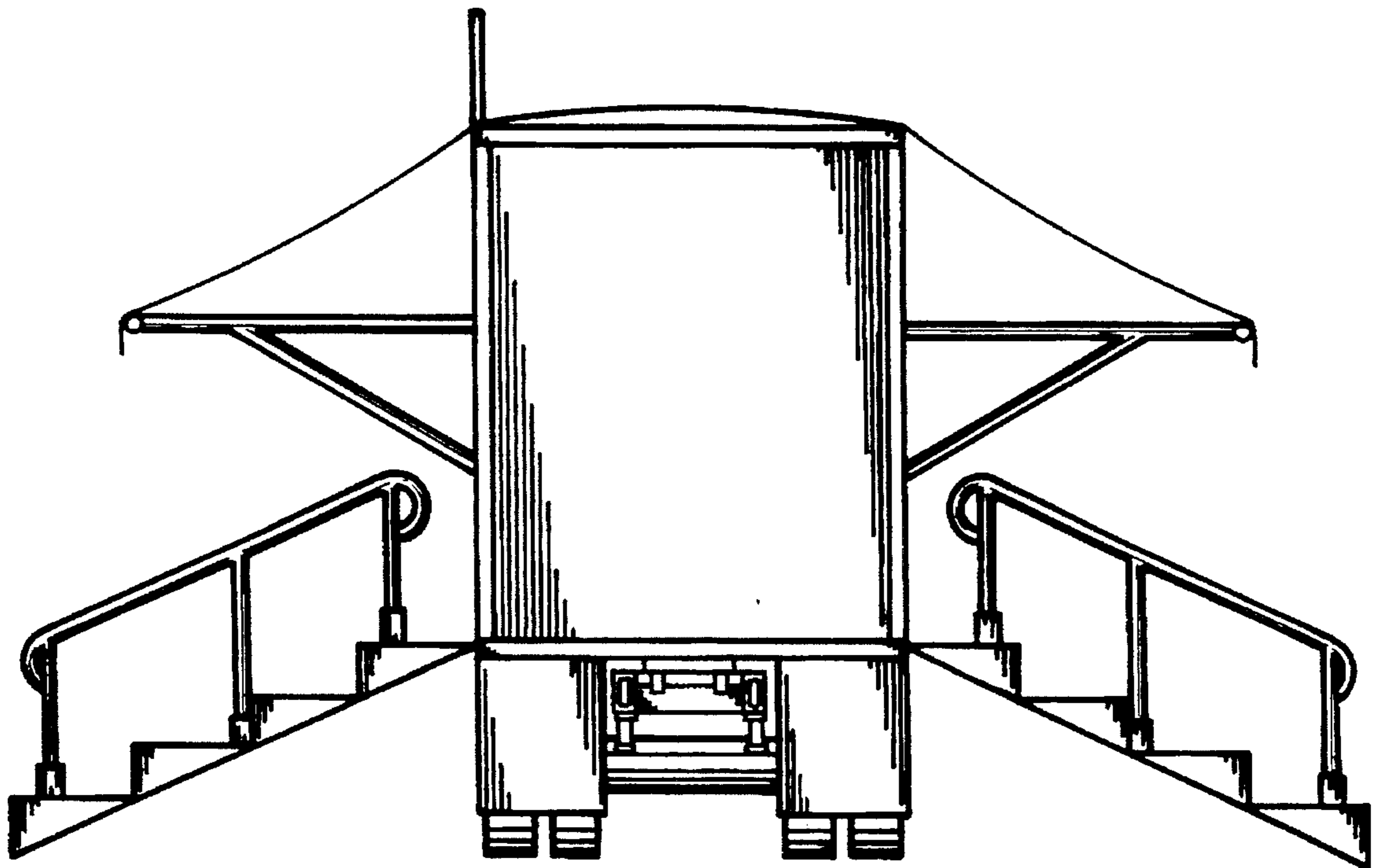


FIG. 7

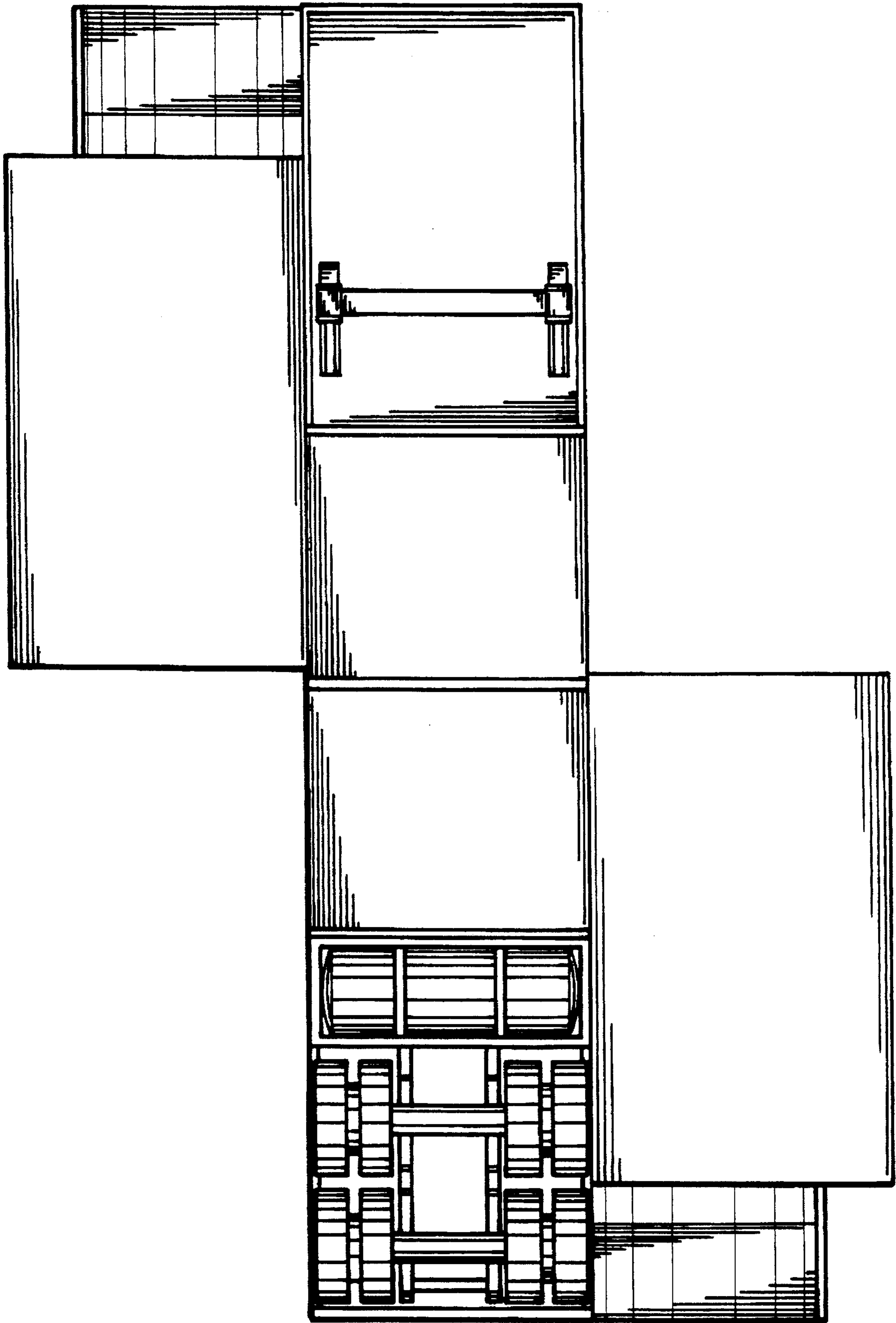


FIG. 8