



US00D371525S

United States Patent [19]

Ryan et al.

[11] Patent Number: **Des. 371,525**

[45] Date of Patent: ****Jul. 9, 1996**

[54] **BELT BUCKLE**

2,956,324 10/1960 Klein D11/200
3,153,827 10/1964 Phillips et al. D11/200

[75] Inventors: **Kelly Ryan; Alain Bao**, both of New York, N.Y.

Primary Examiner—Ralf Seifert
Attorney, Agent, or Firm—Curtis, Morris & Safford

[73] Assignee: **The Donna Karan Company**, New York, N.Y.

[57] **CLAIM**

[**] Term: **14 Years**

An ornamental design for a belt buckle, as shown and described; or an ornamental design for a combined belt buckle and belt, as shown and described.

[21] Appl. No.: **30,622**

DESCRIPTION

[22] Filed: **Nov. 3, 1994**

[52] U.S. Cl. **D11/231**

[58] Field of Search D11/200, 201, D11/231, 215-219, 211, 86, 87; 24/632, 641, 631, 16, 170, 305, 69 CT

FIG. 1 is a front perspective view of a belt buckle showing my new design;

FIG. 2 is a top plan view;

FIG. 3 is a front elevational view;

FIG. 4 is a left side elevational view;

FIG. 5 is a right side elevational view;

FIG. 6 is a bottom plan view;

FIG. 7 is a rear elevational view; and,

FIG. 8 is an exploded front perspective view.

The broken line showing of a belt or partial belt shown throughout the drawings is for illustrative purposes only and forms no part of the claimed design. The dot dash line showing of the tether in FIGS. 2 through 7 indicates continuity of design.

[56] **References Cited**

U.S. PATENT DOCUMENTS

21,063	9/1891	Hubbard	D11/211
35,707	2/1902	Gaisman	D11/231
D. 146,923	6/1947	Leming	D11/200
D. 149,472	5/1948	Chernow	D11/87
D. 158,392	5/1950	Laufer	D11/87
433,005	7/1890	Hirshfeld	D11/200
1,271,963	7/1918	Vilandrer	D11/200
2,262,269	11/1941	Cooper	D11/86

1 Claim, 3 Drawing Sheets

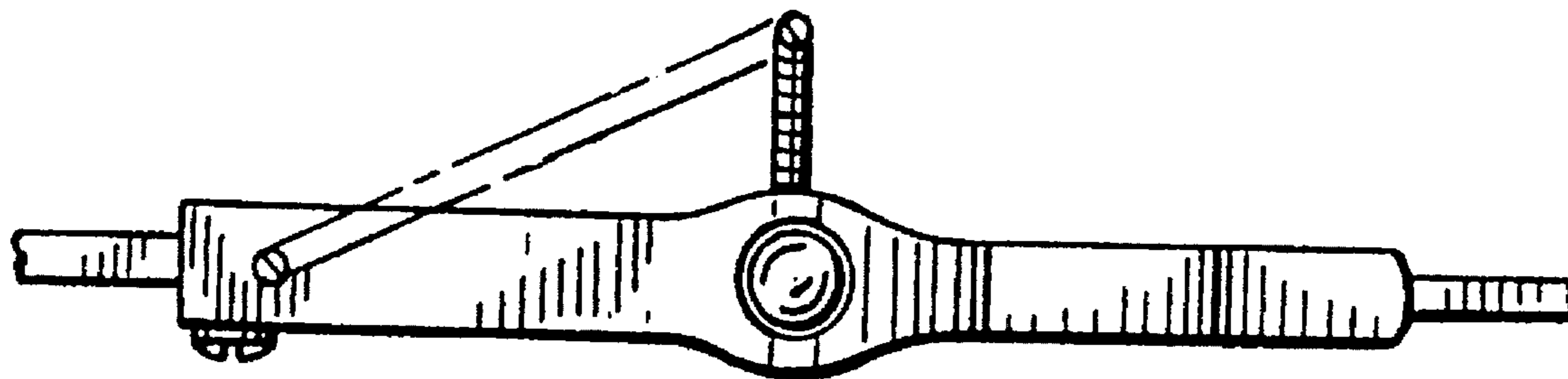


FIG. 1

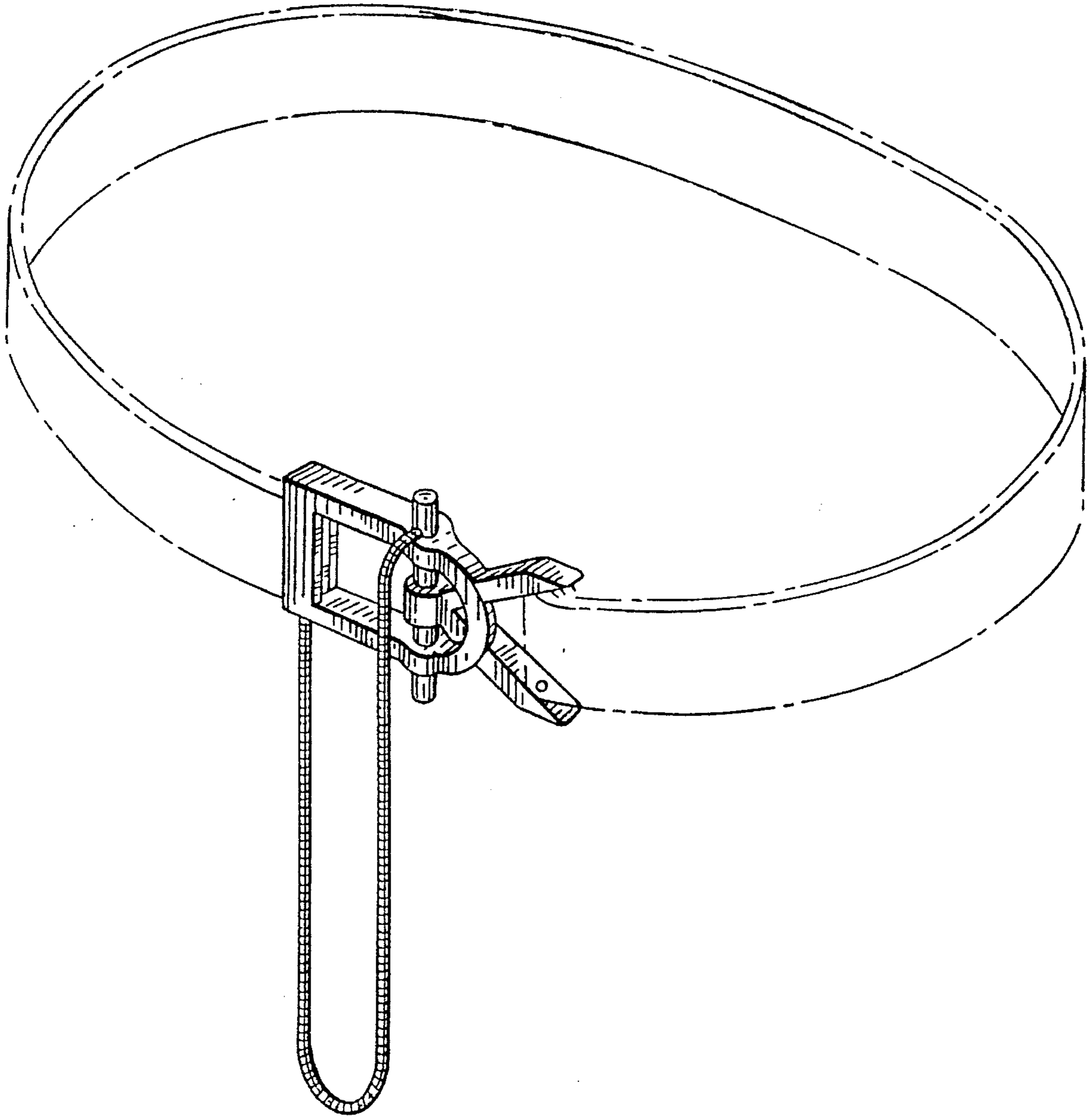


FIG. 2

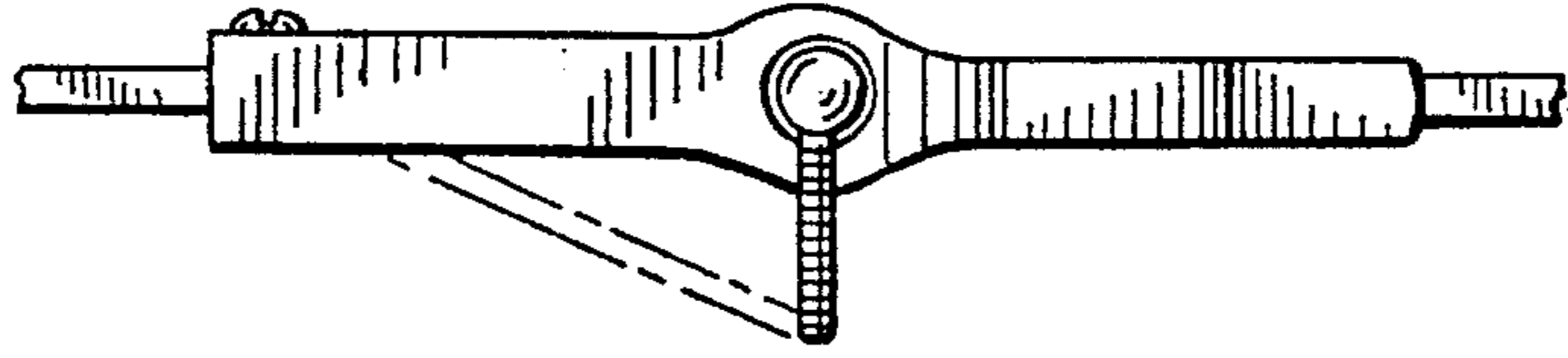


FIG. 4

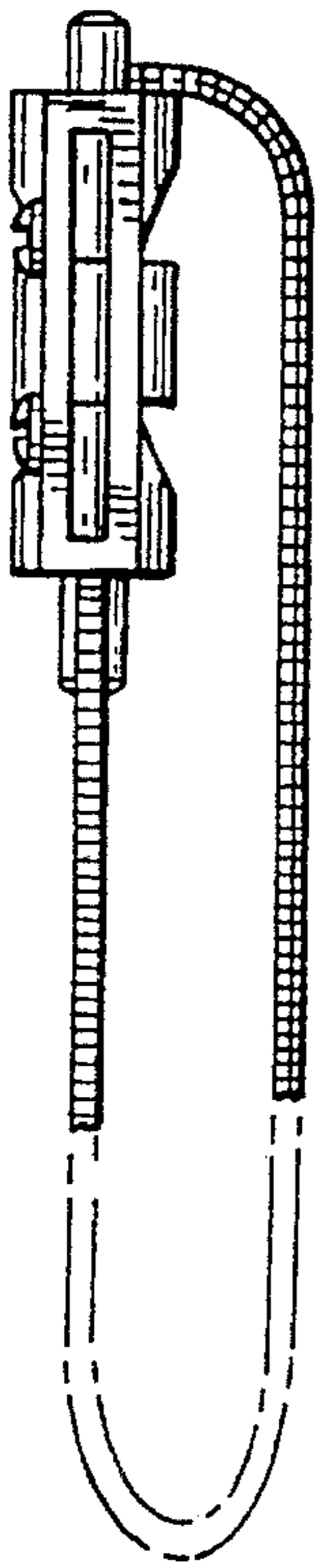


FIG. 3

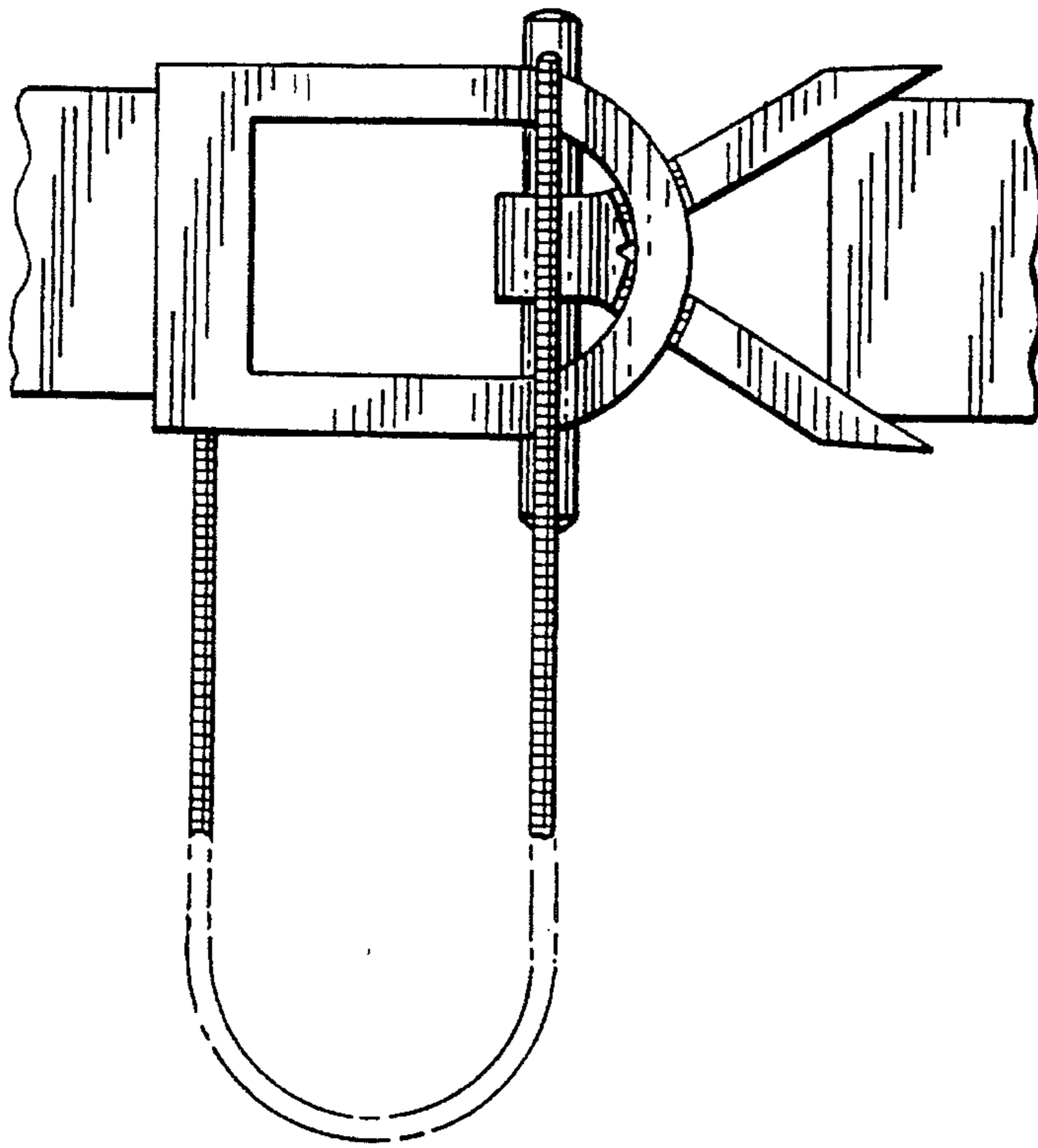


FIG. 5

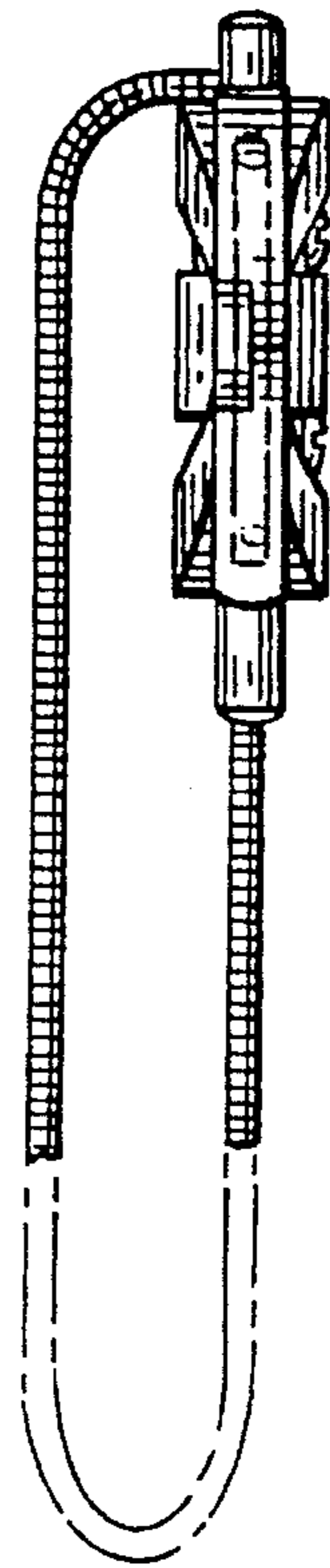
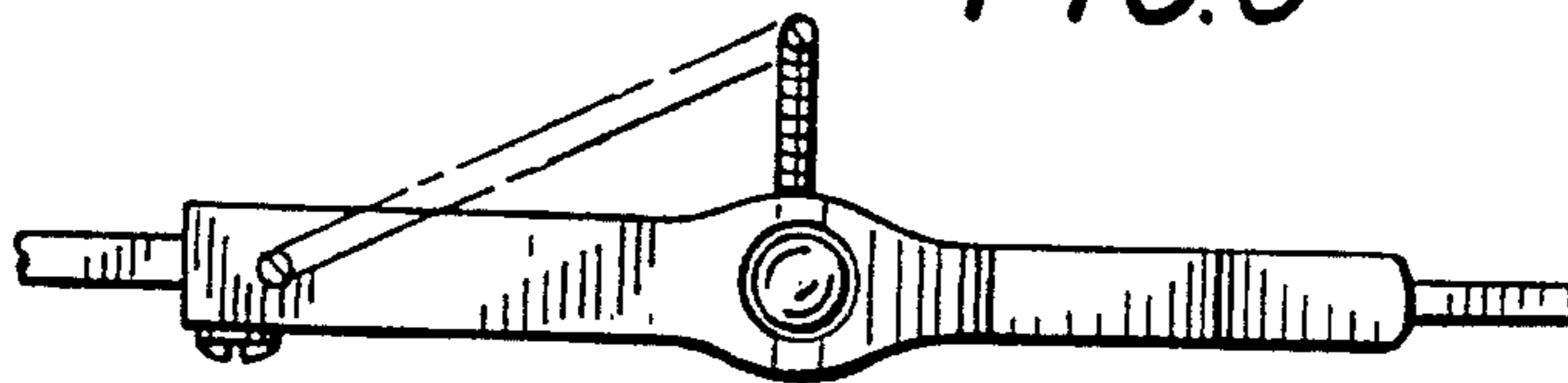


FIG. 6



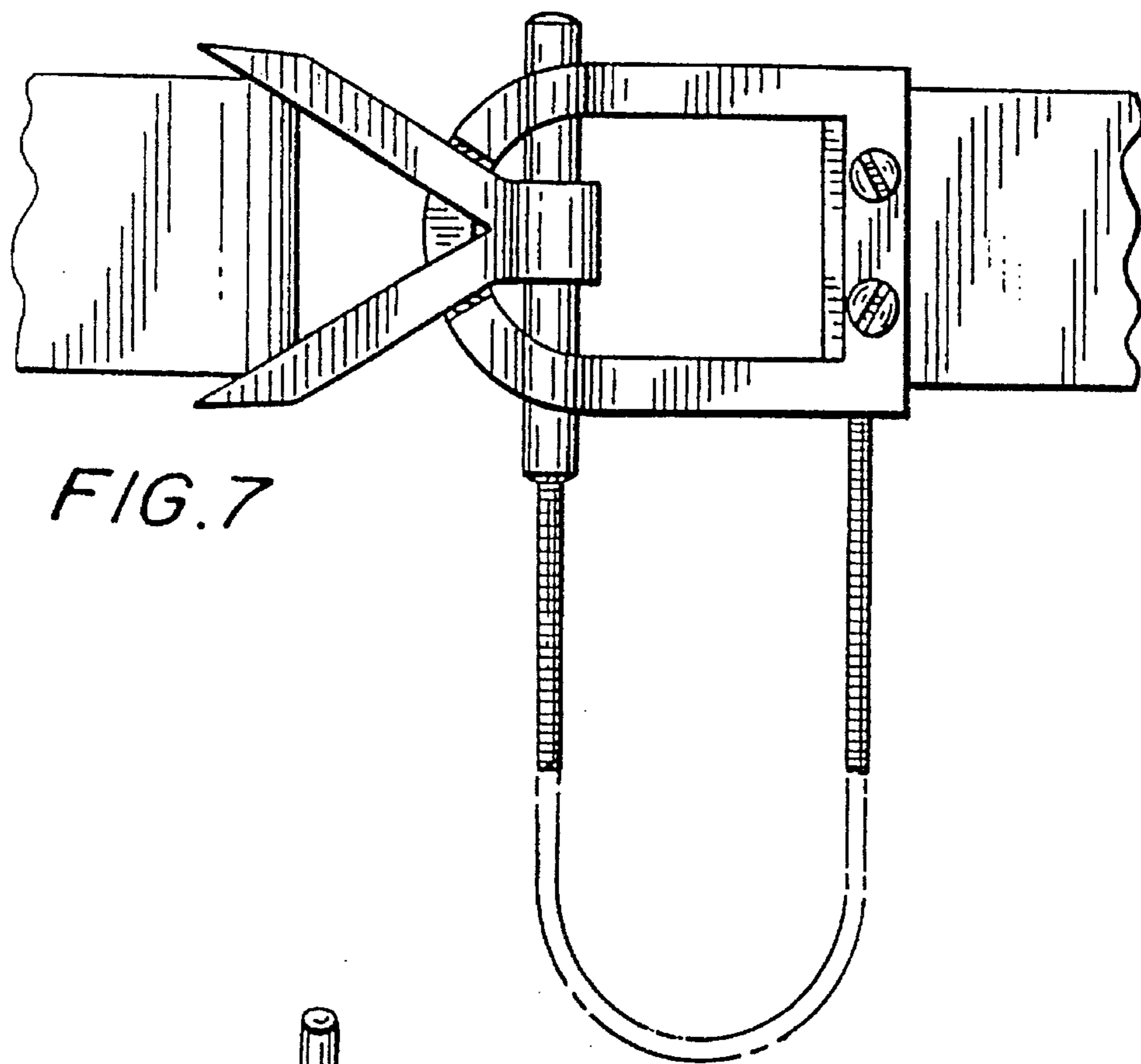


FIG. 7

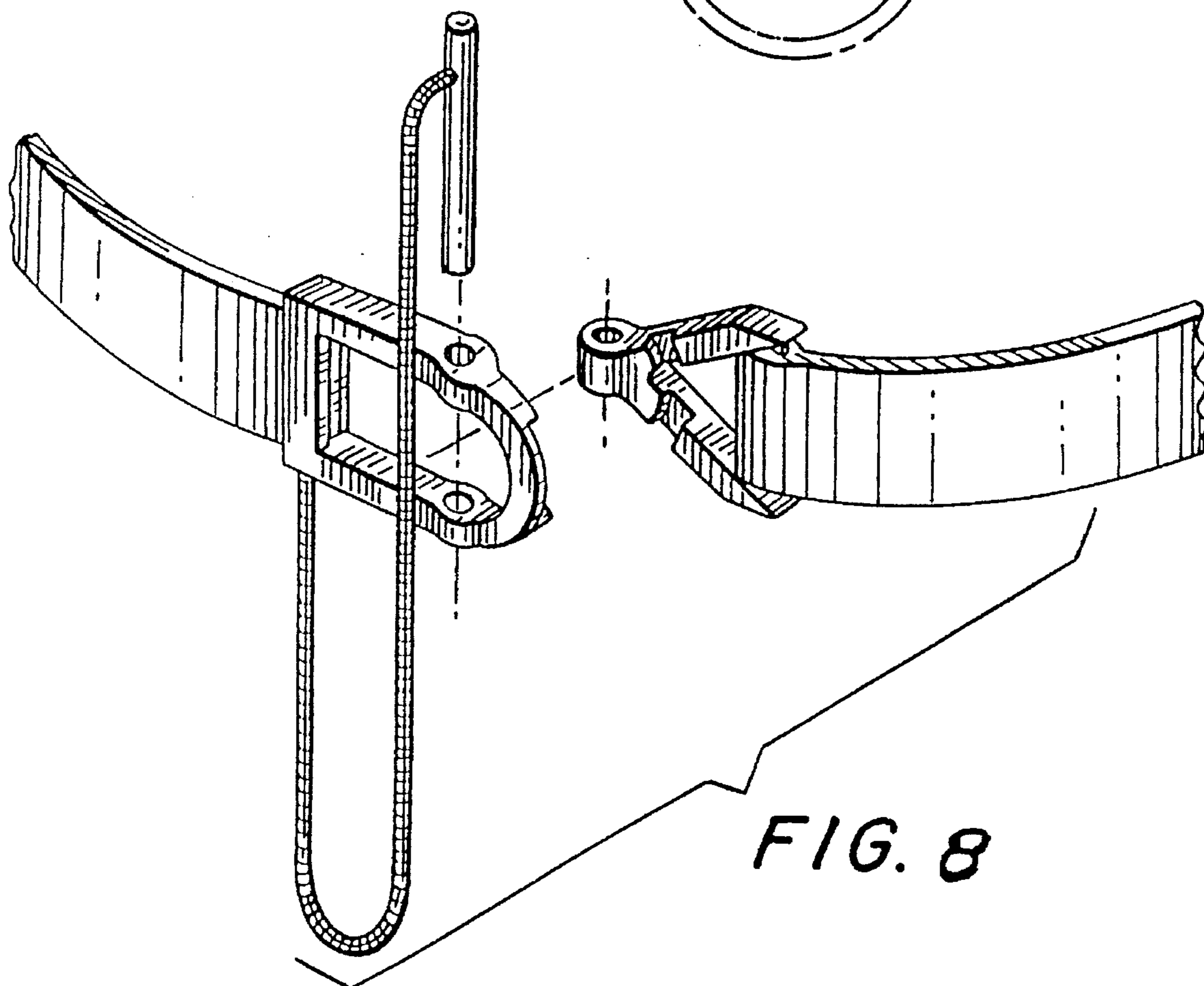


FIG. 8