



US00D371523S

United States Patent [19]
Ikehara

[11] **Patent Number: Des. 371,523**

[45] **Date of Patent: **Jul. 9, 1996**

[54] **PULL TAB OF SLIDE FASTENER**

[75] Inventor: **Chikako Ikehara**, Toyama-ken, Japan

[73] Assignee: **YKK Corporation**, Tokyo, Japan

[**] Term: **14 Years**

[21] Appl. No.: **38,760**

[22] Filed: **May 11, 1995**

[52] **U.S. Cl.** **D11/221**

[58] **Field of Search** D11/200, 201,
D11/221, 212; 24/381-385, 415-417, 427-437

[56] **References Cited**

U.S. PATENT DOCUMENTS

D. 261,947	11/1981	Moore	D11/221
D. 303,361	9/1989	Mimami	D11/221
D. 320,953	10/1991	Horita et al.	D11/221
2,511,491	6/1950	Brown	24/431

Primary Examiner—Ralf Seifert
Attorney, Agent, or Firm—Hill, Steadman & Simpson

[57] **CLAIM**

The ornamental design for “pull tab of slide fastener”, as shown.

DESCRIPTION

FIG. 1 is a front elevational view of a pull tab for slide fastener showing my new design, the opposite side view being the same;

FIG. 2 is a right side view of the pull tab of FIG. 1;

FIG. 3 is a plan view of the pull tab of FIG. 1;

FIG. 4 is a base view of the pull tab of FIG. 1; and,

FIG. 5 is a front elevational view shown attached to a slider body, the broken line showing of a slide fastener and attachment element is for illustrative purposes only and forms no part of the claimed design.

1 Claim, 2 Drawing Sheets

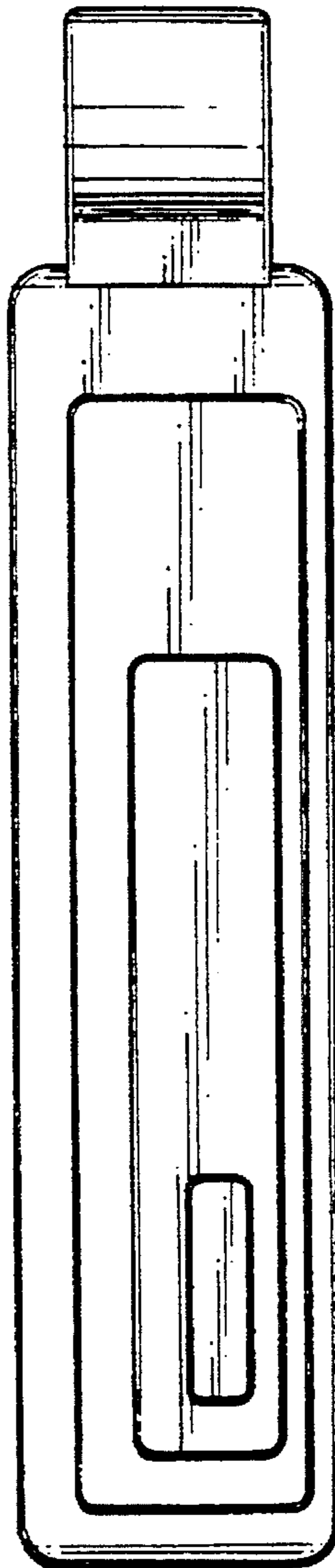


FIG. 1

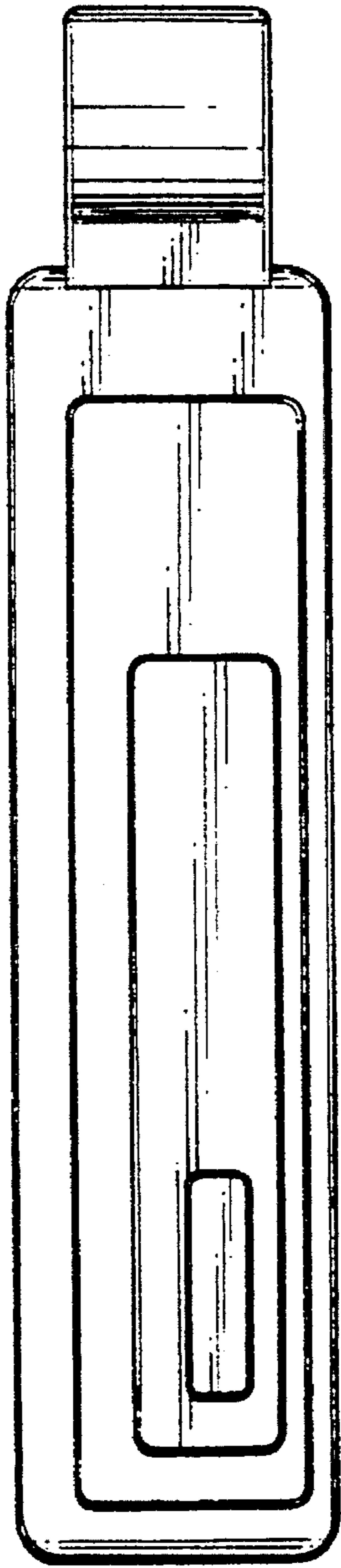


FIG. 2

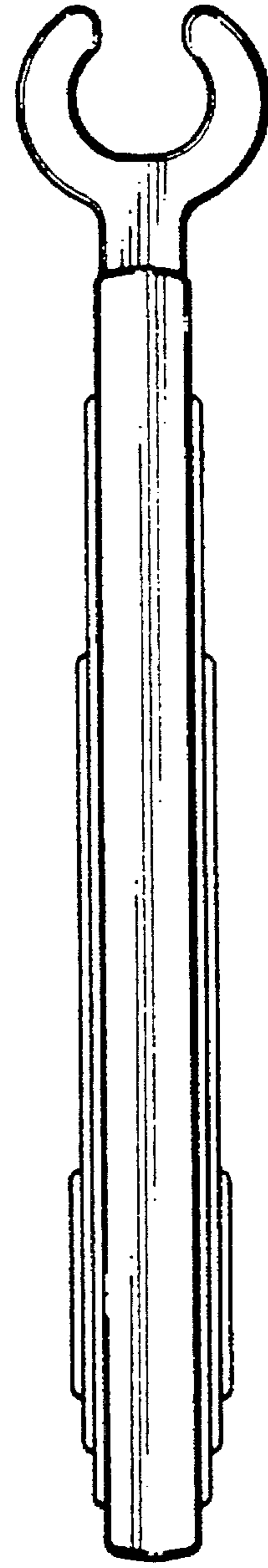


FIG. 3

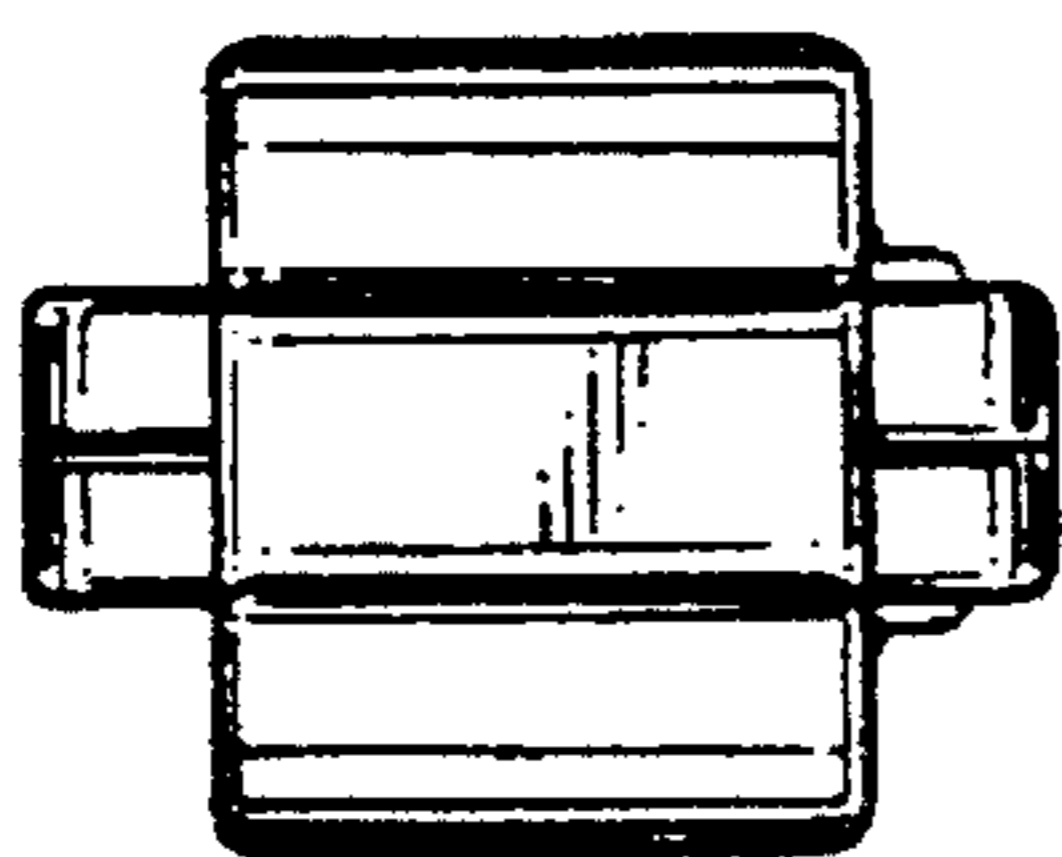


FIG. 4

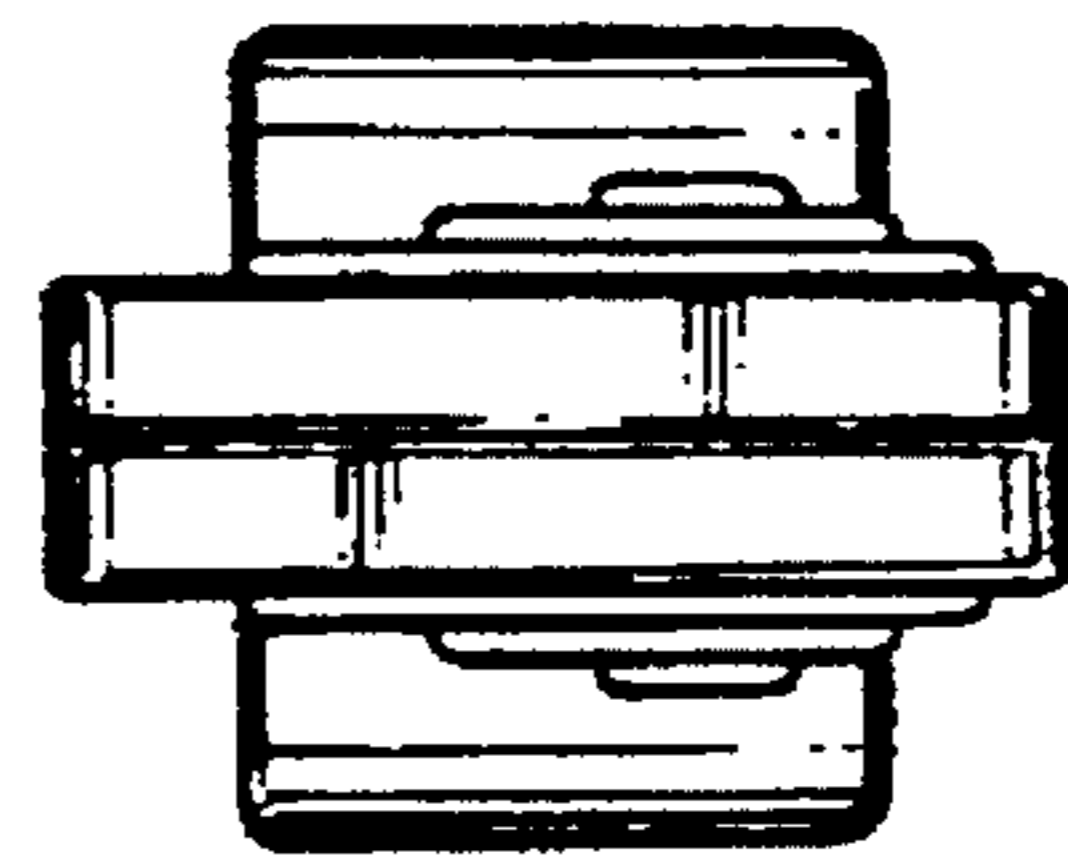


FIG. 5

