



US00D371517S

United States Patent [19]

Narayanan

[11] Patent Number: **Des. 371,517**

[45] Date of Patent: ****Jul. 9, 1996**

[54] **HAND-HELD WATERPROOF LIQUID TESTING METER**

[75] Inventor: **Bhaskar Narayanan**, Singapore, Singapore

[73] Assignee: **Eutech Cybernetics Pte. Ltd.**, Ayer Rajah Crescent, Singapore

[**] Term: **14 Years**

[21] Appl. No.: **41,121**

[22] Filed: **Jul. 6, 1995**

[52] U.S. Cl. **D10/81; D10/78**

[58] Field of Search **D10/78, 81; 73/431; 204/400, 406, 433; 324/156, 158**

[56] **References Cited**

U.S. PATENT DOCUMENTS

- D. 346,123 4/1994 Narayanan D10/81
- D. 351,803 10/1994 Foley D10/78 X
- D. 360,840 8/1995 Brockway et al. D10/81

OTHER PUBLICATIONS

Cole-Parmer Instrument Company Bi-Annual Product Catalog (1994-1995) pp. 797, 798, 799, 813, 833 and 835.

Primary Examiner—Antoine Duval Davis
Attorney, Agent, or Firm—Fitch, Even, Tabin & Flannery

[57] **CLAIM**

The ornamental design for a hand-held waterproof liquid testing meter, as shown and described.

DESCRIPTION

FIG. 1 is a perspective view of a hand-held waterproof liquid

testing meter showing my new design with the protective cap engaged on the body of the hand-held waterproof liquid testing meter;

FIG. 2 is a front elevational view thereof, with the protective cap removed from the body of the hand-held waterproof liquid testing meter;

FIG. 3 is a rear elevational view thereof, with the protective cap engaged on the body of the hand-held waterproof liquid testing meter;

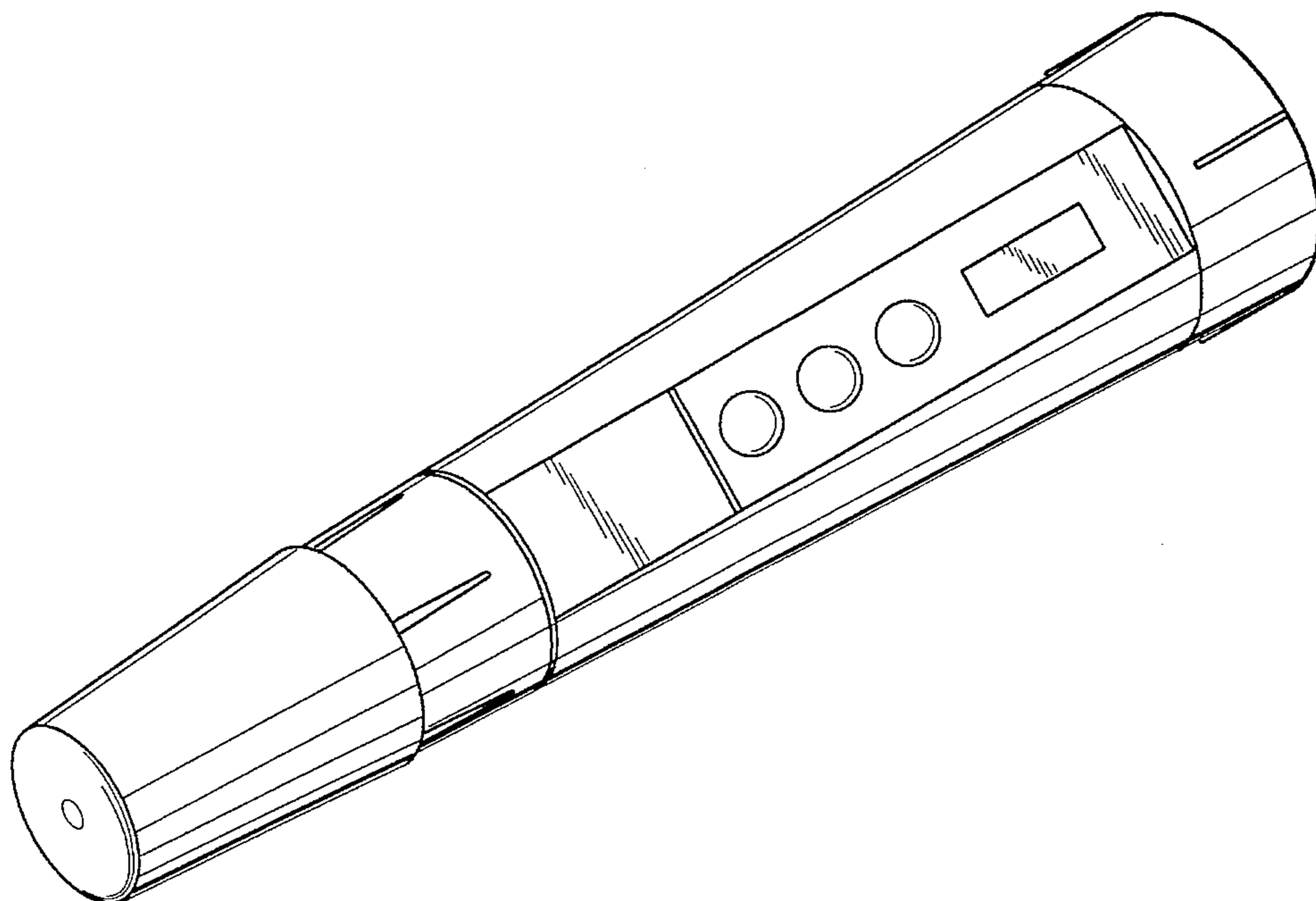
FIG. 4 is a left hand side elevational view thereof, with the protective cap removed from the body of the hand-held waterproof liquid testing meter;

FIG. 5 is a right hand side elevational view thereof, with the protective cap removed from the body of the hand-held waterproof liquid testing meter;

FIG. 6 is a top plan view of the hand held waterproof liquid testing meter and the cap therefor with the protective cap removed from the body of the hand-held waterproof liquid testing meter; and,

FIG. 7 is a bottom plan view of the hand held waterproof liquid testing meter and the cap therefor with the protective cap removed from the body of the hand-held waterproof liquid testing meter.

1 Claim, 4 Drawing Sheets



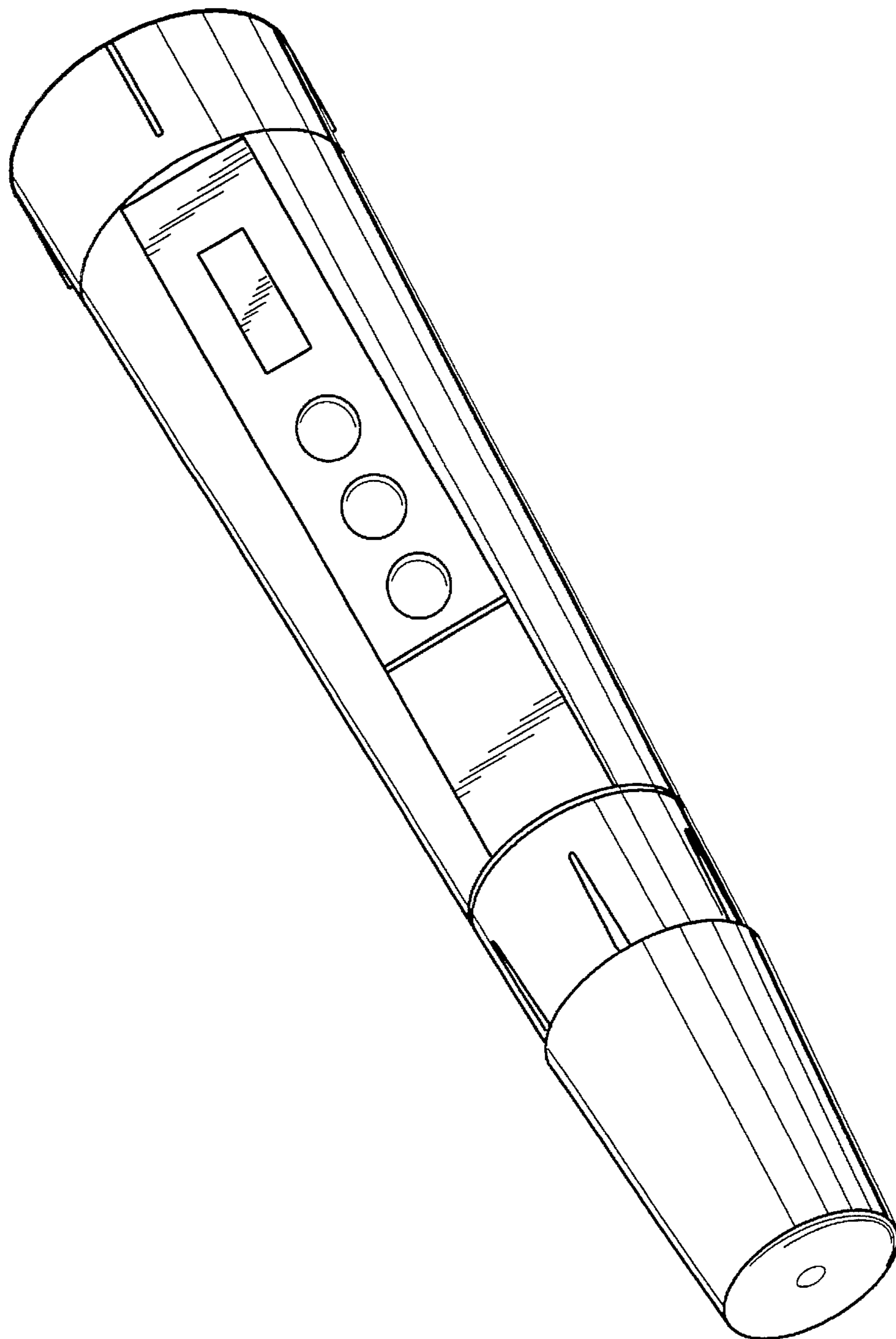


Fig. 1

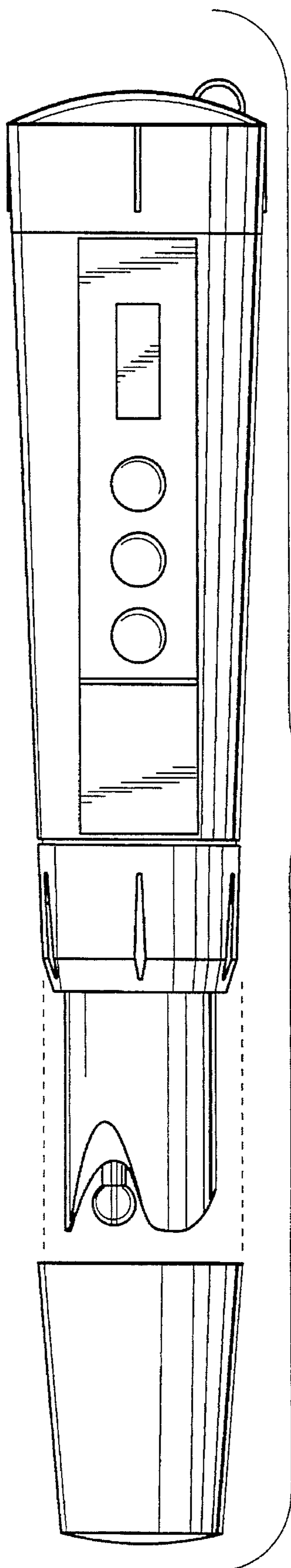


Fig. 2

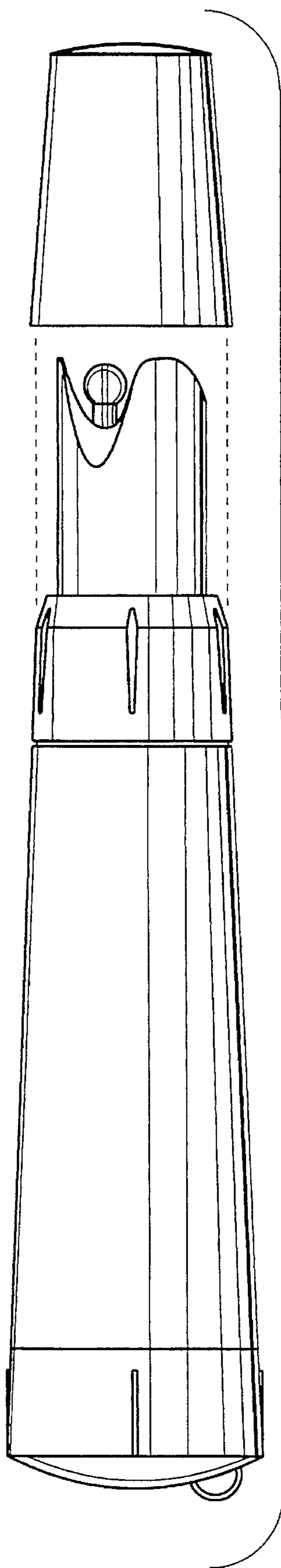


Fig. 3

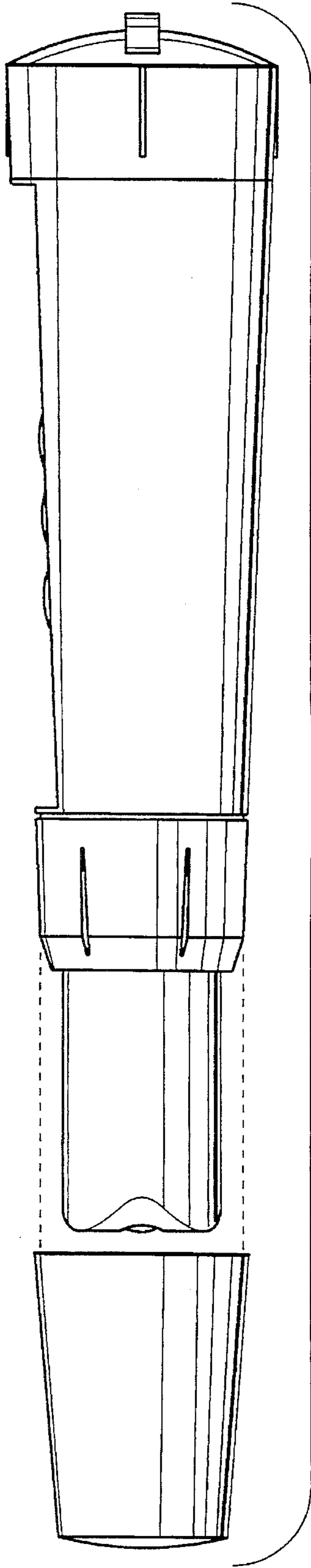


Fig. 4

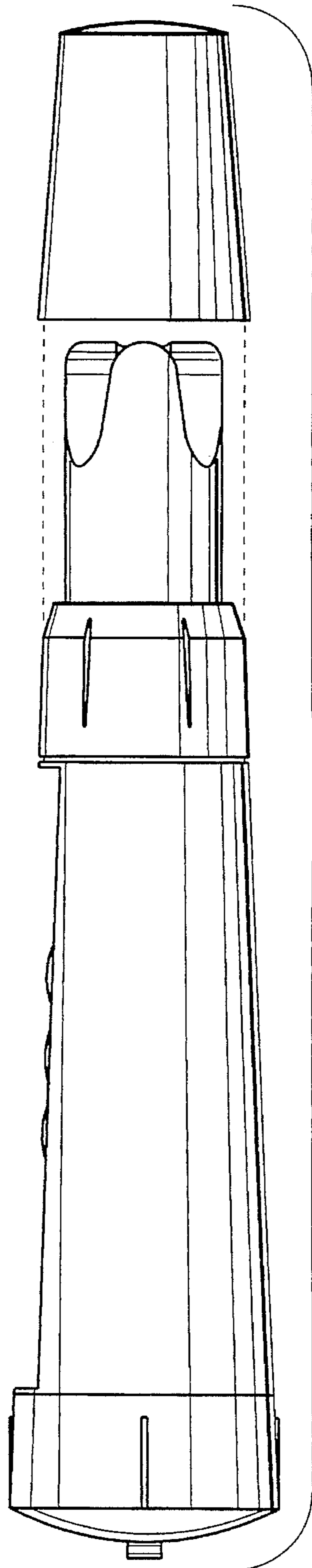


Fig. 5

Fig. 7

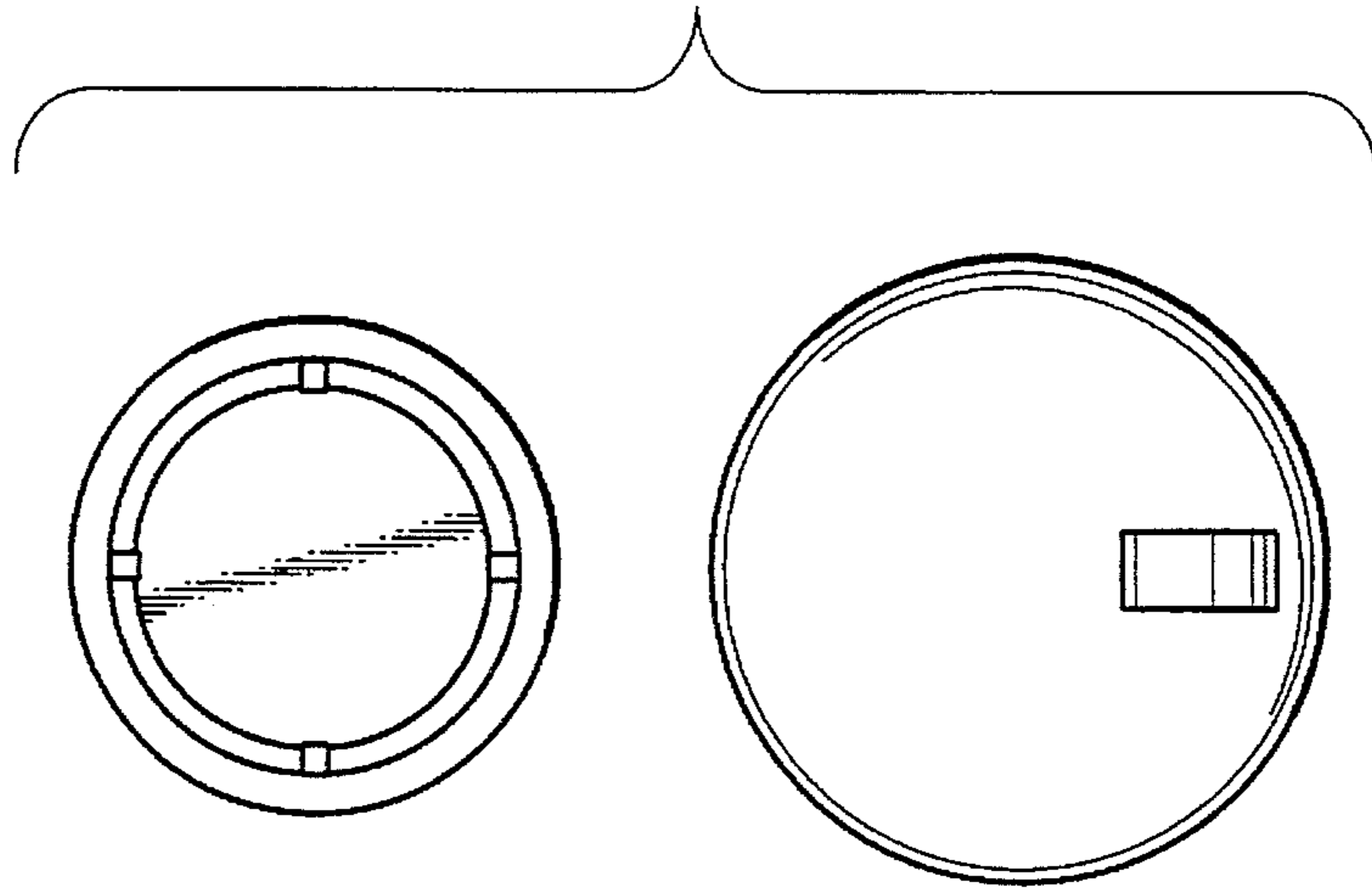


Fig. 6

