



US00D371516S

# United States Patent [19]

Guber et al.

[11] Patent Number: **Des. 371,516**

[45] Date of Patent: **\*\*Jul. 9, 1996**

[54] ENCLOSURE FOR A BRIGHTNESS SENSOR

3,999,863 12/1976 Schoneman ..... 356/432  
4,264,211 4/1981 Biggs ..... 356/432

[75] Inventors: **Wolfgang Guber**, Ludwigsburg; **Volker Boettinger**, Sindelfingen, both of Germany

*Primary Examiner*—Antoine D. Davis  
*Attorney, Agent, or Firm*—Jeanine S. Ray-Yarletts

[73] Assignee: **IBM Corporation**, Armonk, N.Y.

[57] **CLAIM**

[\*\*] Term: **14 Years**

The ornamental design for an enclosure for a brightness sensor, as shown and described.

[21] Appl. No.: **41,832**

**DESCRIPTION**

[22] Filed: **Jun. 20, 1995**

[30] **Foreign Application Priority Data**

FIG. 1 shows a perspective front, top and right side view;  
FIG. 2 shows a perspective front, bottom and left side view;  
FIG. 3 shows a top view;  
FIG. 4 shows a right side view;  
FIG. 5 shows a left side view;  
FIG. 6 shows a bottom view;  
FIG. 7 shows a front view; and,  
FIG. 8 shows a rear view.

Dec. 21, 1994 [DE] Germany ..... 94 09 927.8

[52] U.S. Cl. .... **D10/75; D10/78**

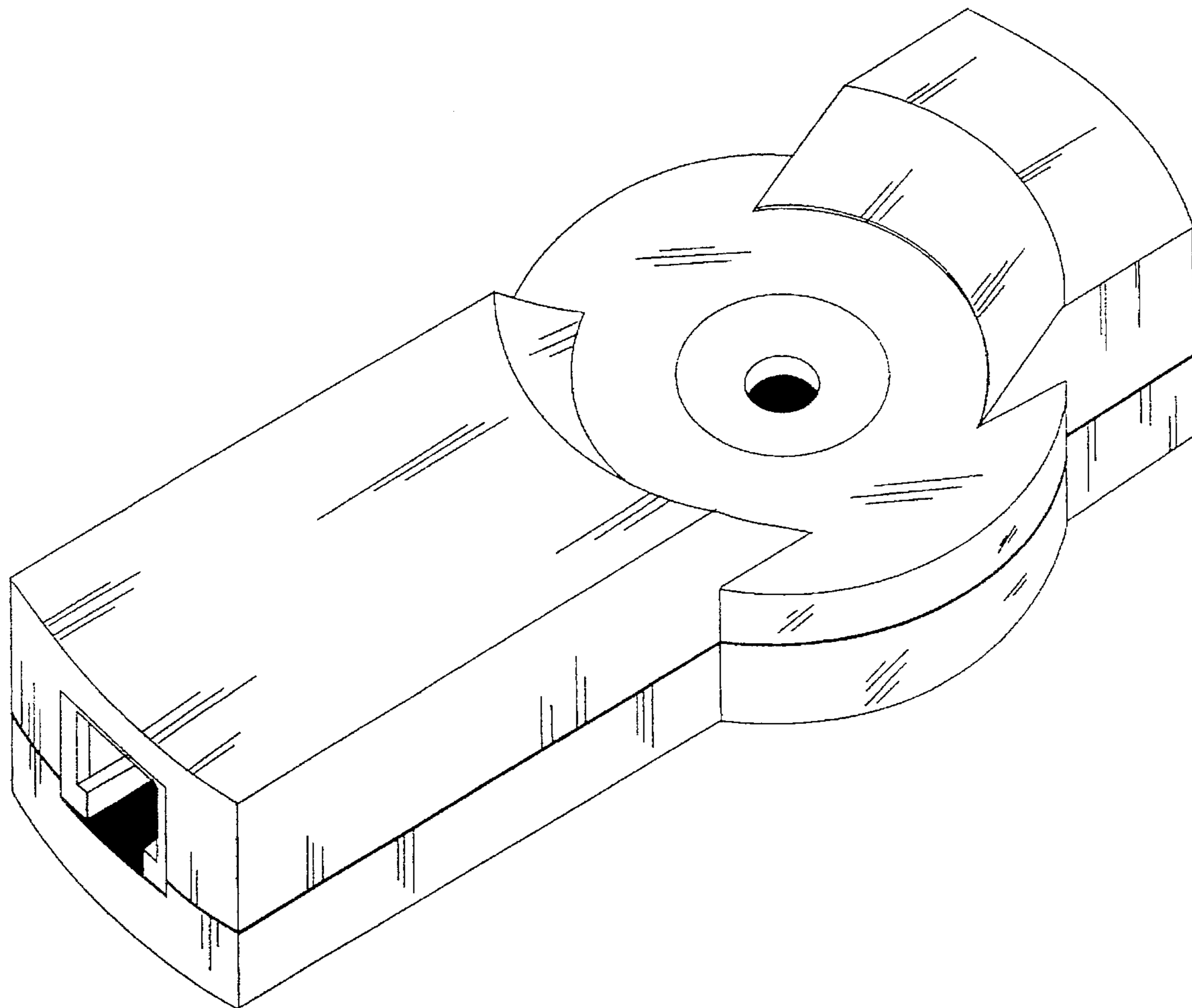
[58] Field of Search ..... D10/75, 78; D16/220;  
250/214 R, 551, 573; 356/432-444

[56] **References Cited**

**U.S. PATENT DOCUMENTS**

3,833,306 9/1974 Komodromos ..... 356/434

**1 Claim, 3 Drawing Sheets**



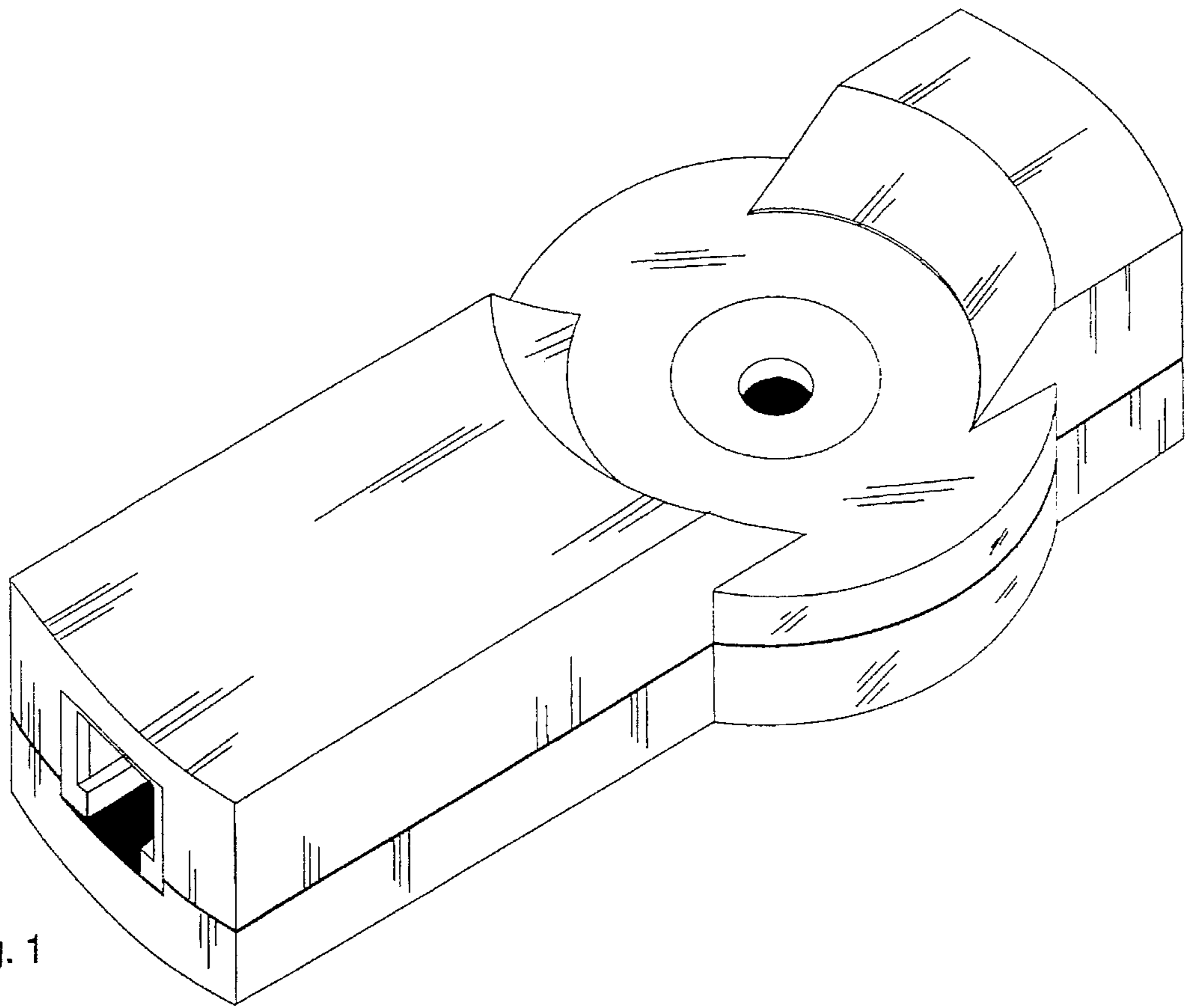


Fig. 1

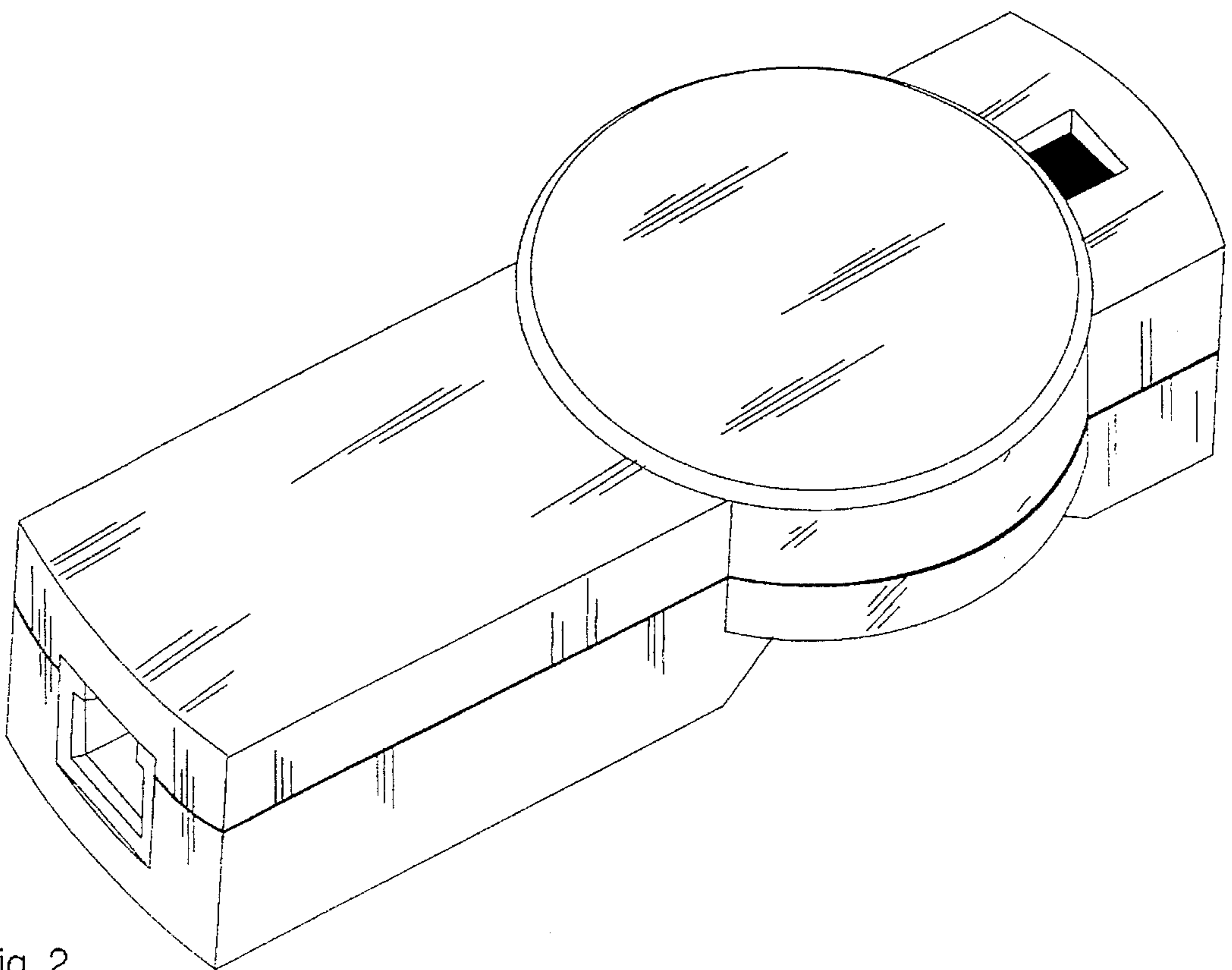


Fig. 2

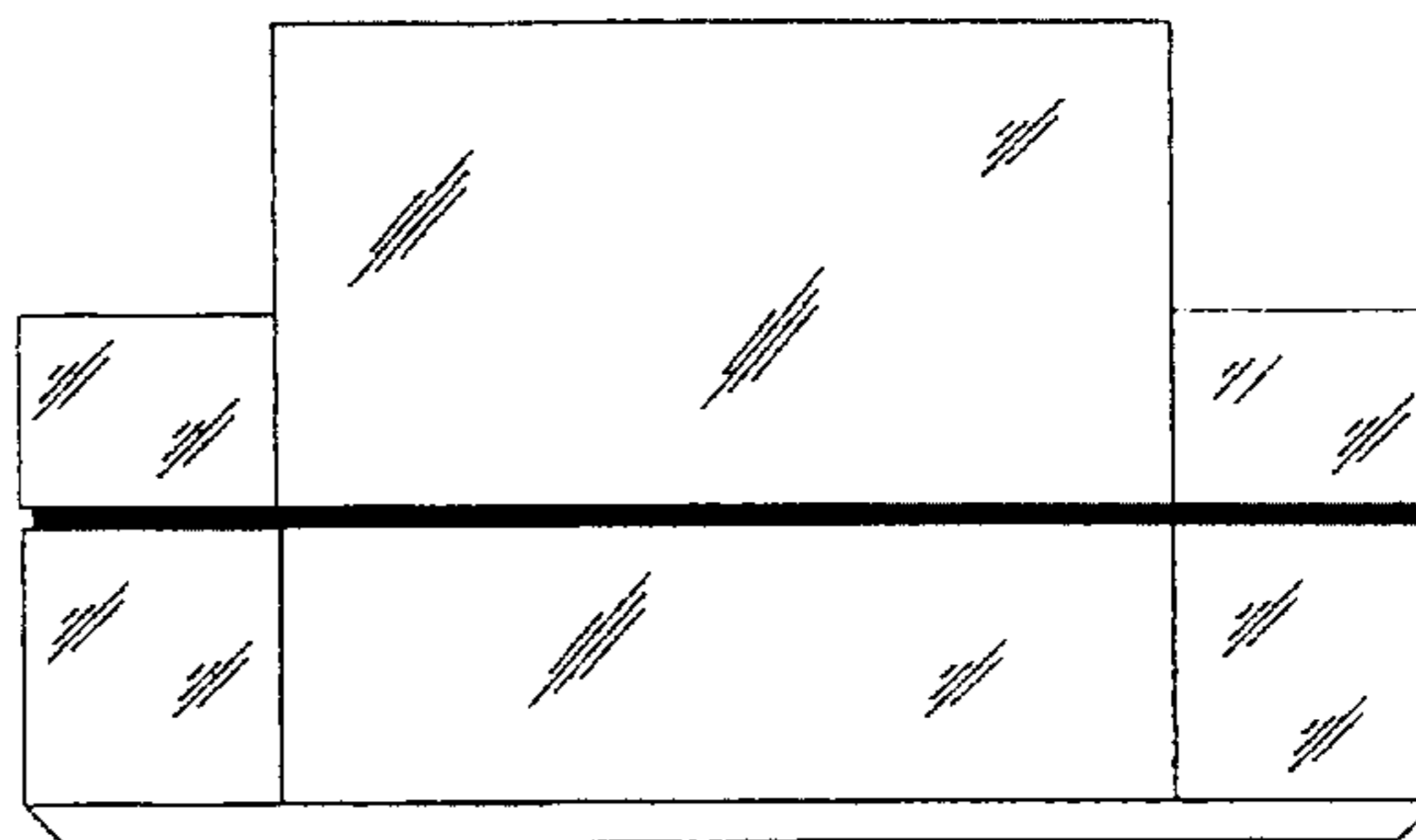


Fig. 8

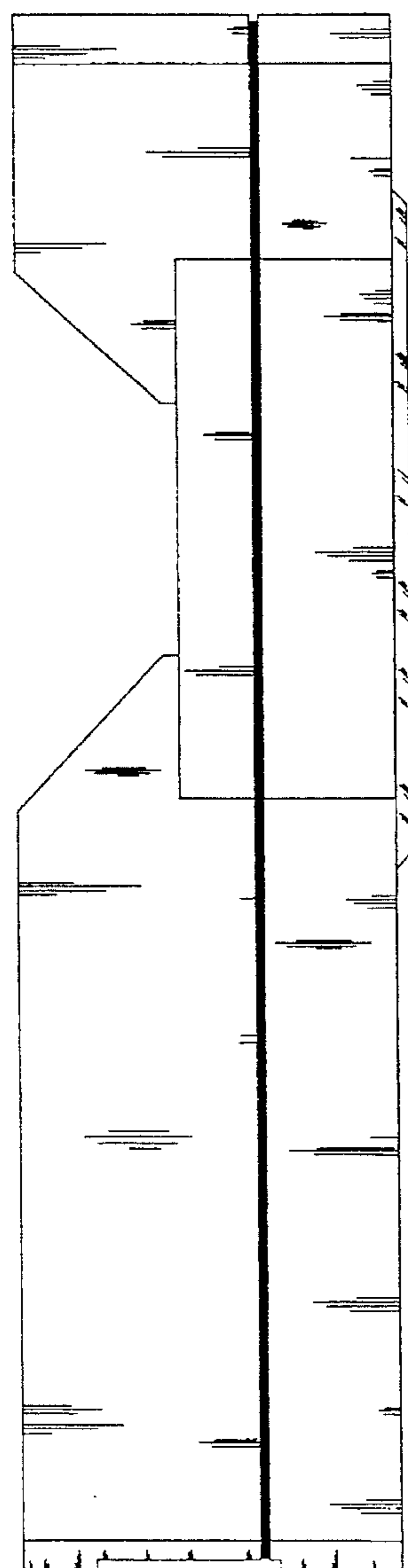


Fig. 4

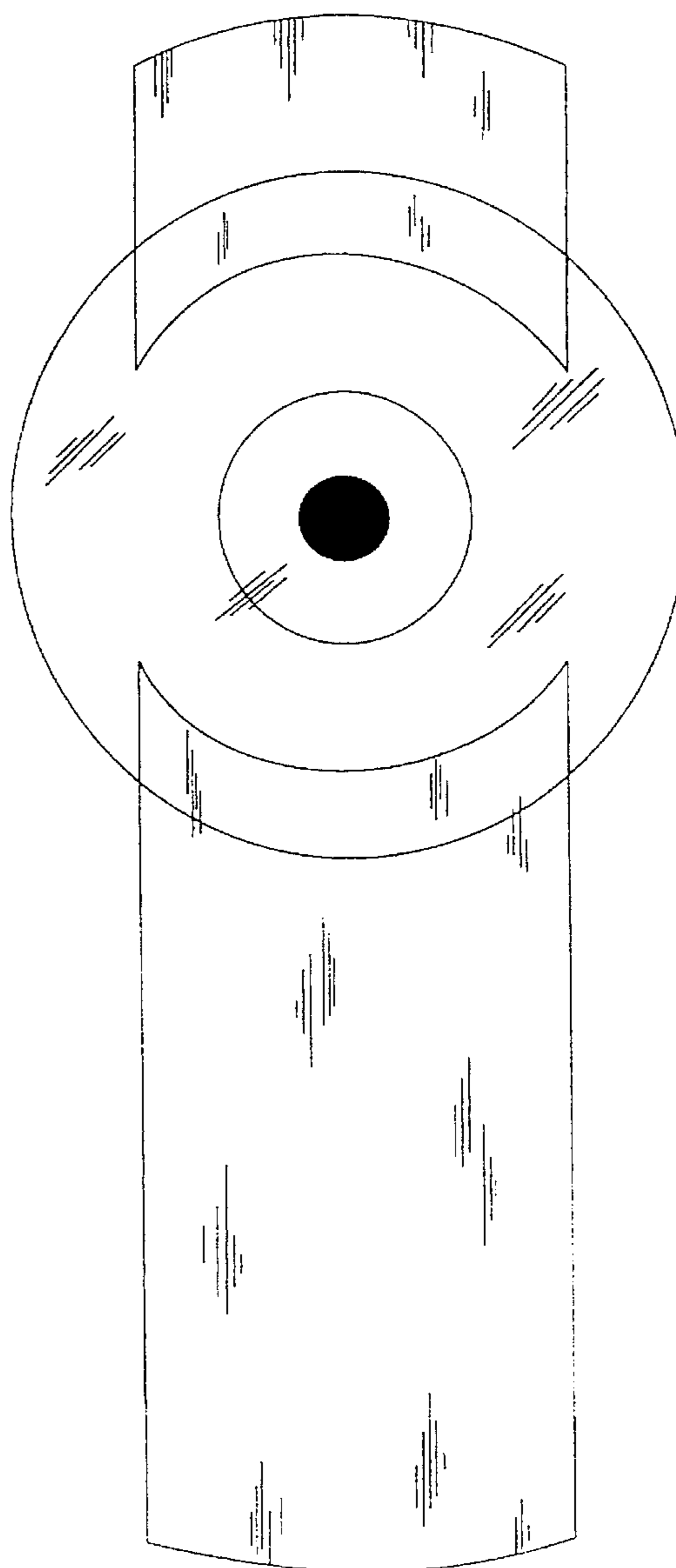


Fig. 3

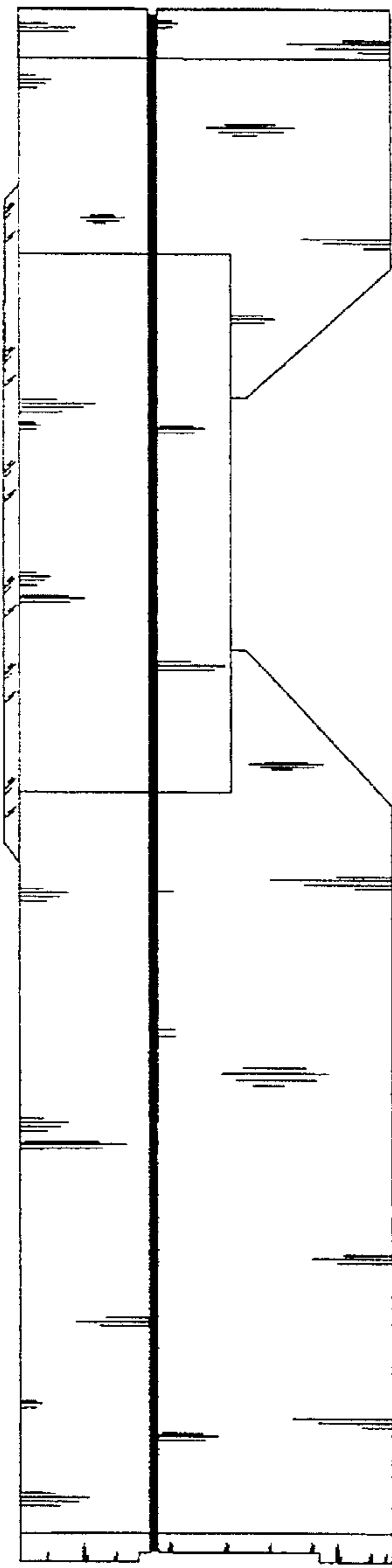


Fig. 5

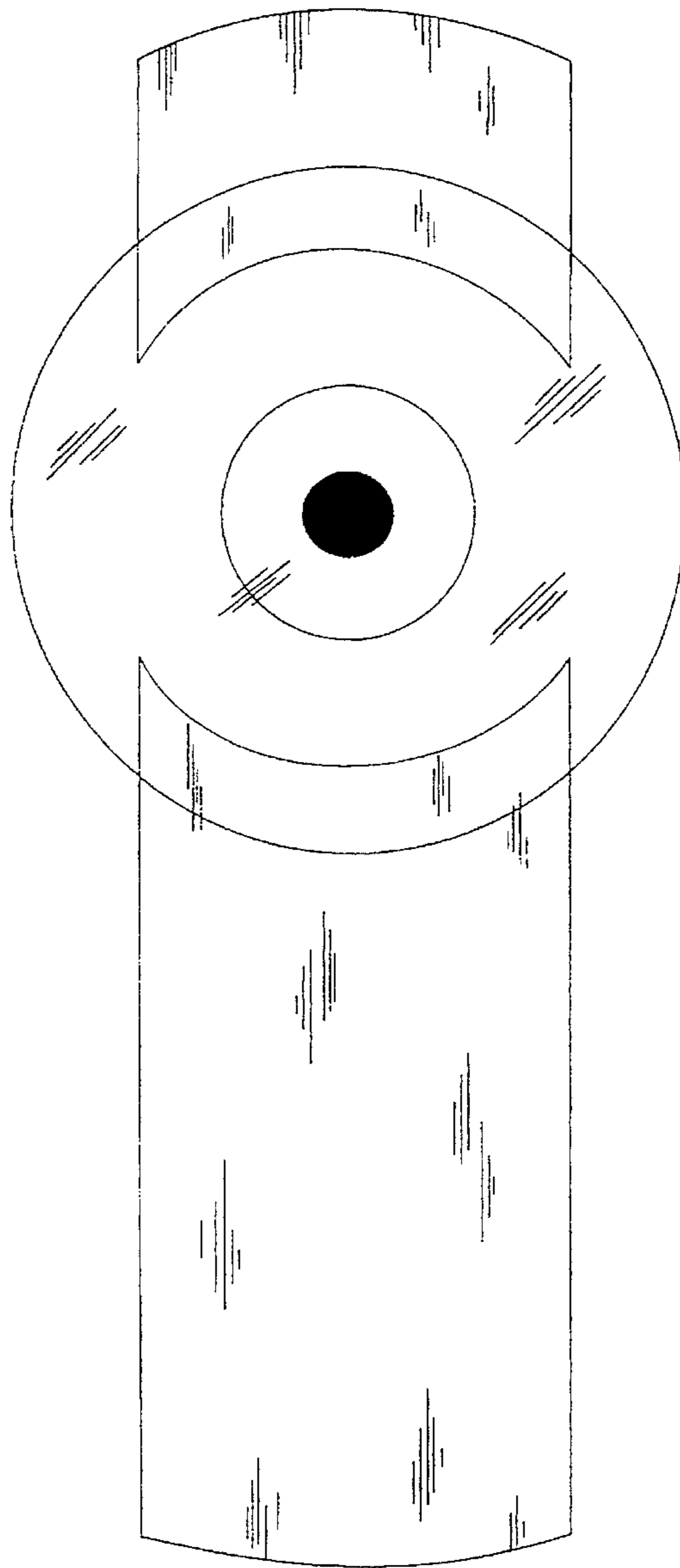


Fig. 6

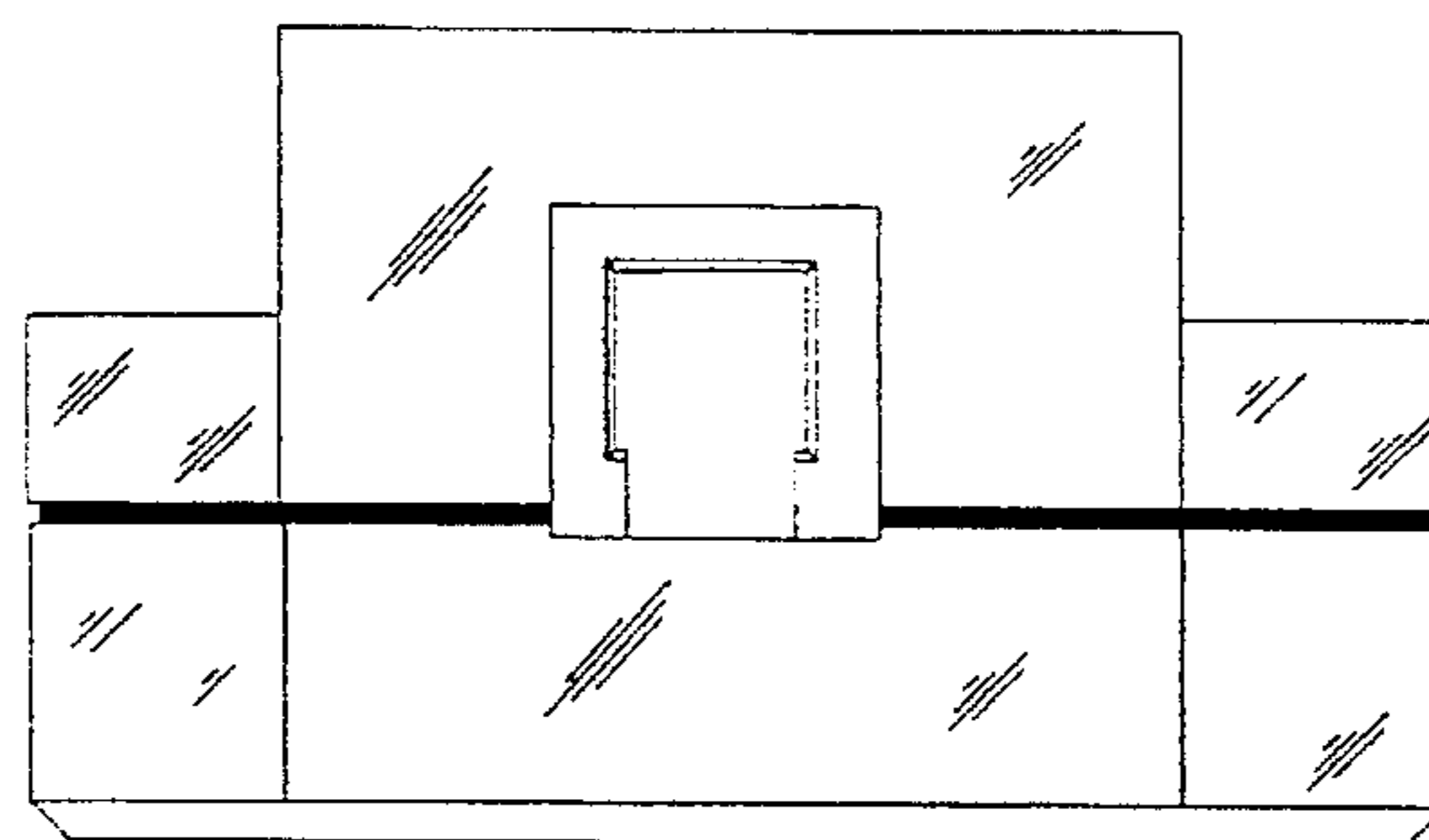


Fig. 7