



US00D371515S

# United States Patent [19]

[11] Patent Number: **Des. 371,515**

Iwaki et al.

[45] Date of Patent: **\*\*Jul. 9, 1996**

[54] **REMOTE STATION UNIT FOR  
GEOPHYSICAL DATA ACQUISITION AND  
PROCESSING SYSTEM**

I/O System Two, Seismic Telemetry Data Acquisition System, Input/Output, Inc. 1993.

[75] Inventors: **Yumio Iwaki**, Odawara; **Yoshihiro Sekino**, Ichihara; **Yoshitaka Watanabe**, Nagareyama, all of Japan

Vision™ The Total System, Halliburton Geophysical Services, May 1993.

SN388, Telemetry Seismic Data Acquisition System, Sercel, May 1994.

[73] Assignee: **Japex Geoscience Institute, Inc.**, Tokyo, Japan

*Primary Examiner*—Antoine Duval Davis  
*Attorney, Agent, or Firm*—Pollock, Vande Sande & Priddy

[\*\*] Term: **14 Years**

[21] Appl. No.: **32,273**

[22] Filed: **Dec. 2, 1994**

[30] **Foreign Application Priority Data**

Jun. 3, 1994 [JP] Japan ..... 6-16281

[52] **U.S. Cl.** ..... **D10/46; D10/84**

[58] **Field of Search** ..... D10/46, 84; 324/652;  
364/421, 602, 825; 367/43, 44, 65, 67,  
68, 69, 70, 76, 79, 910

[56] **References Cited**

**U.S. PATENT DOCUMENTS**

D. 319,987 9/1991 Ueno ..... D10/78  
3,482,159 12/1969 Clark ..... 324/652

**OTHER PUBLICATIONS**

G DAPS-3, Geophysical Data Acquisition and Processing System, Japex Geoscience Institute, Inc. 1989, brochure, p. 5.

[57] **CLAIM**

The ornamental design for a remote station unit for geophysical data acquisition and processing system, as shown and described.

**DESCRIPTION**

FIG. 1 is a top plan view of a remote station unit for geophysical data acquisition and processing system showing my new design;

FIG. 2 is a front elevational view thereof;

FIG. 3 is a rear elevational view thereof;

FIG. 4 is a bottom plan view thereof;

FIG. 5 is a right side elevational view thereof, a left side elevational view being a mirror image thereof; and,

FIG. 6 is a front, top and left side perspective view thereof.

1 Claim, 4 Drawing Sheets

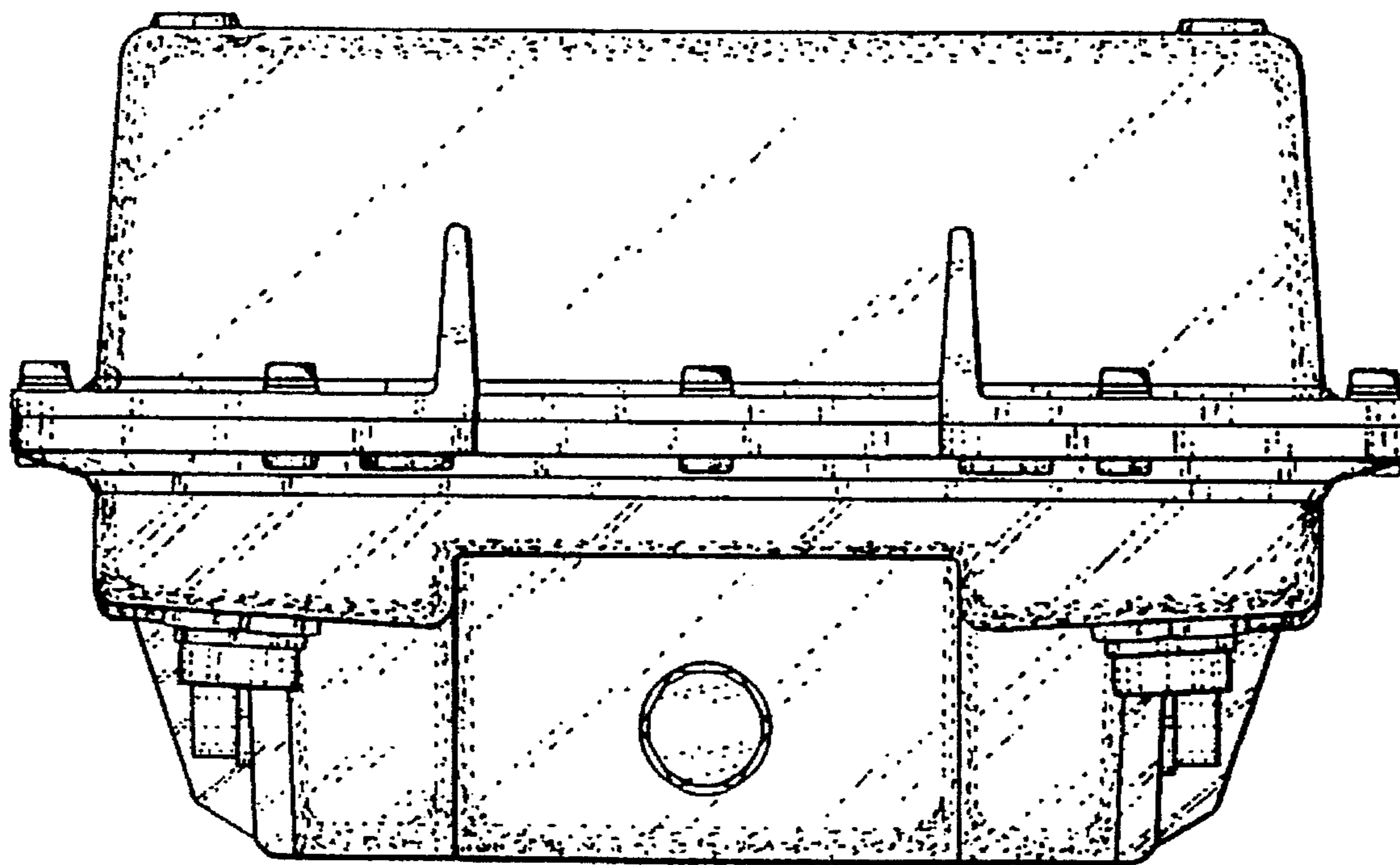


FIG. 1

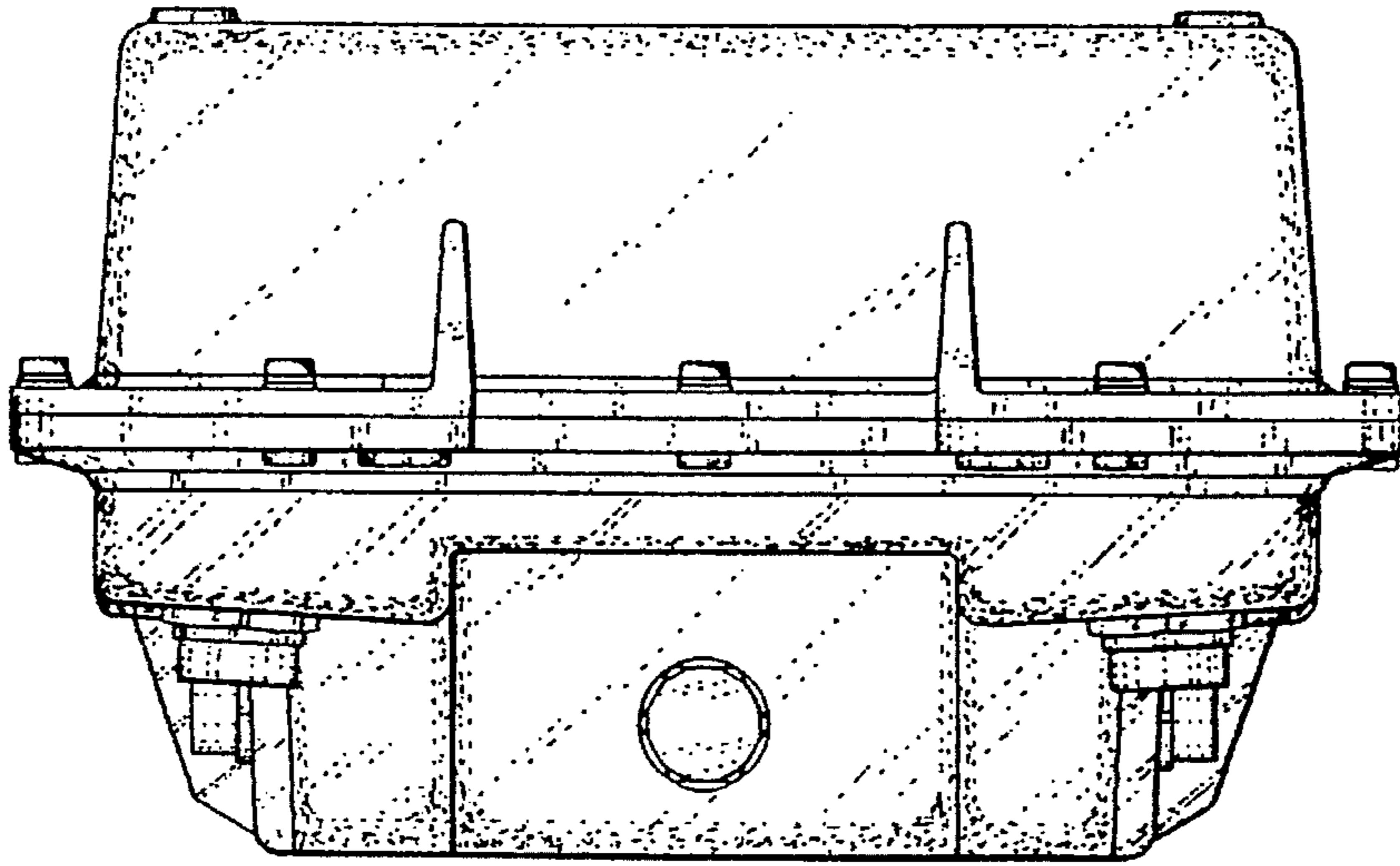


FIG. 2

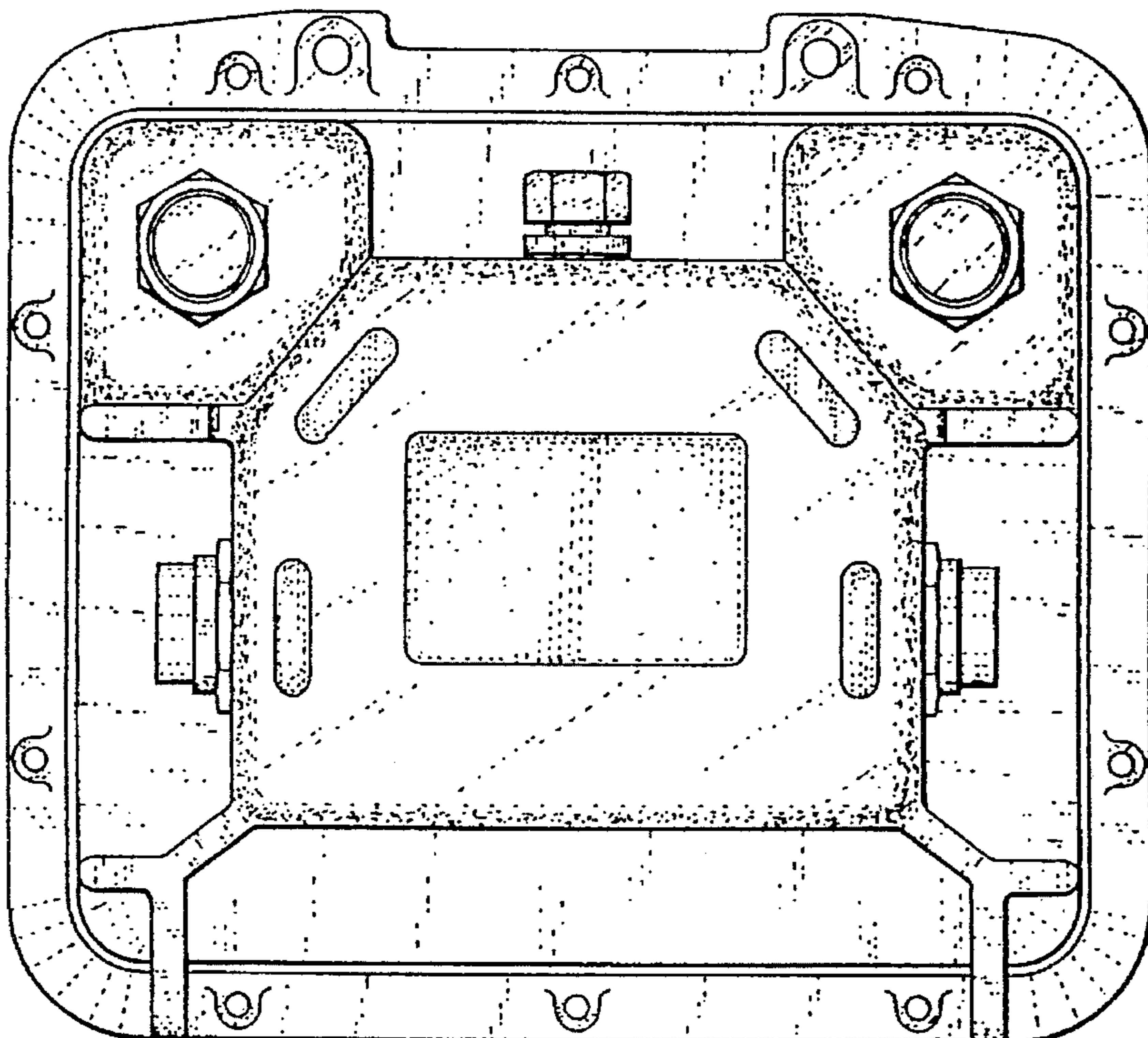


FIG.3

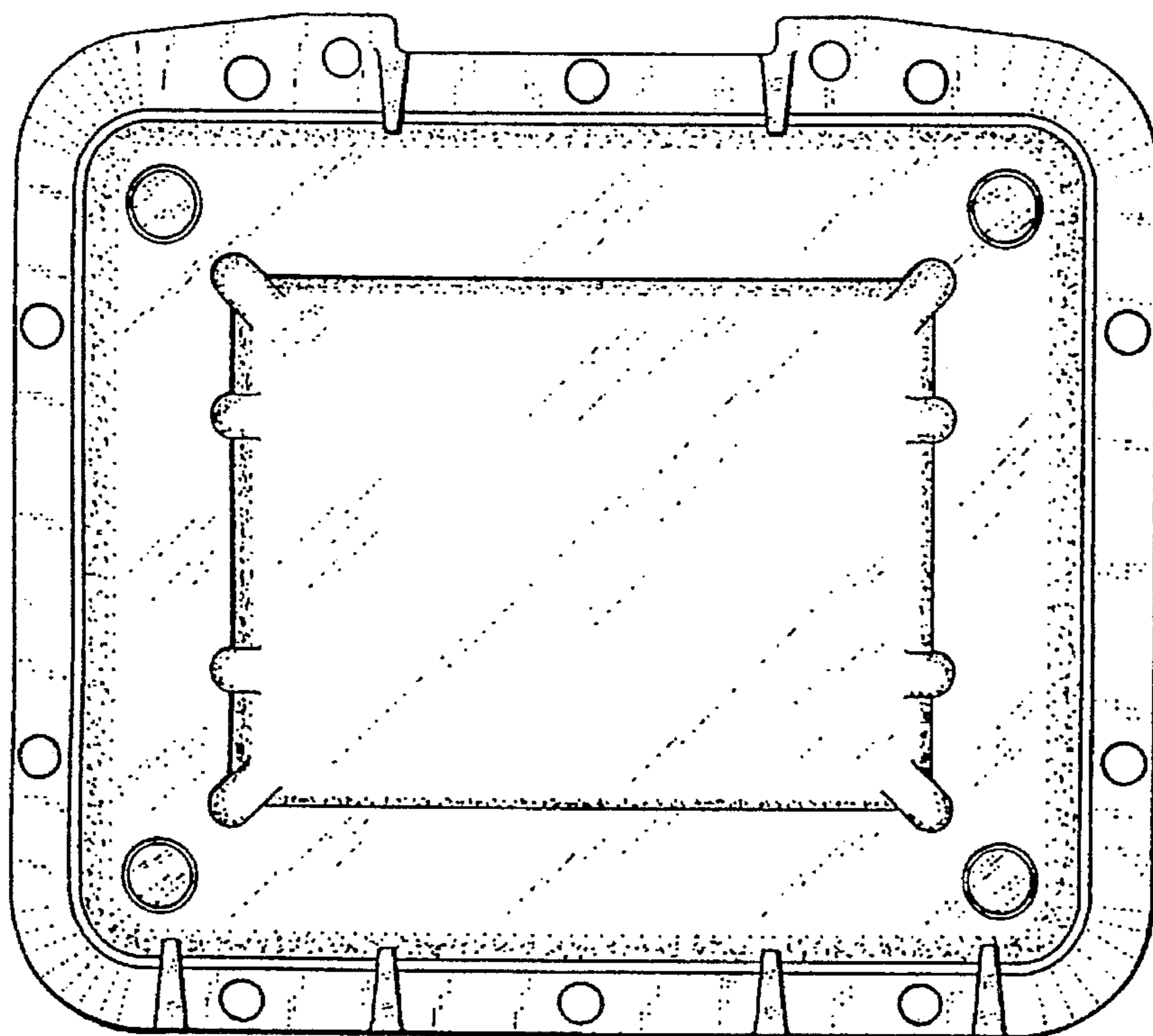
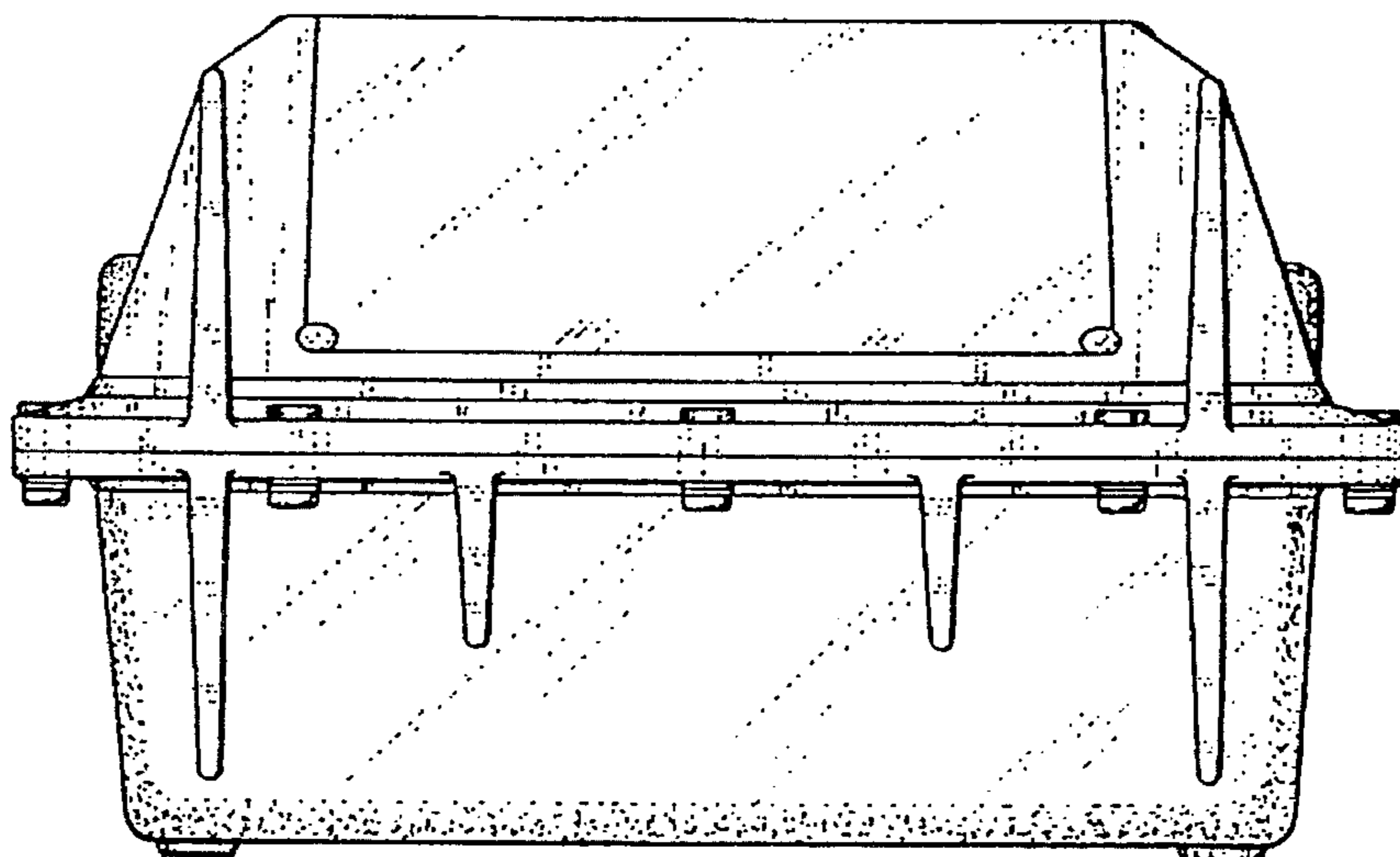


FIG.4





# FIG. 5

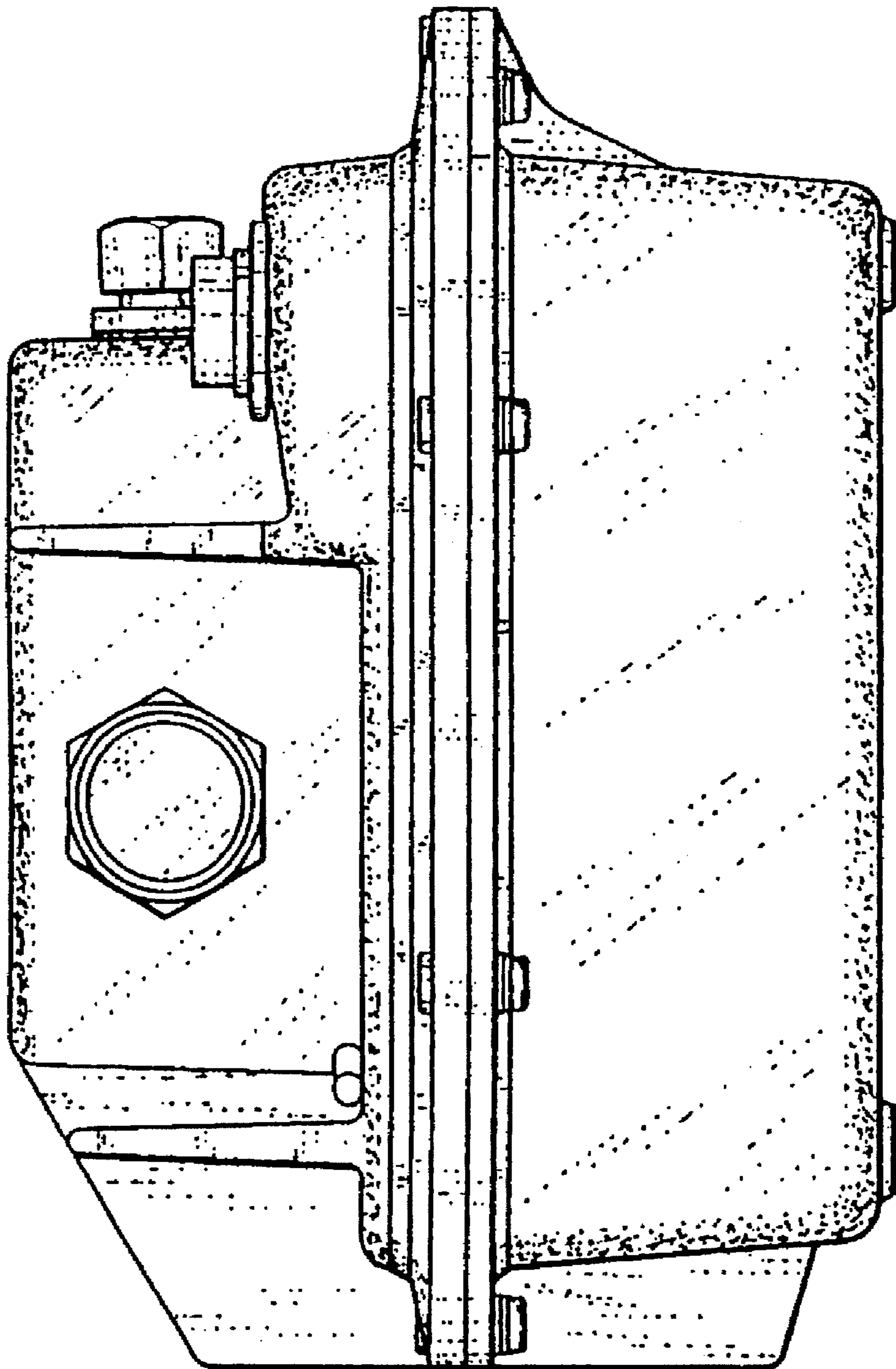


FIG. 6

