



US00D371514S

United States Patent [19]

Daansen

[11] Patent Number: **Des. 371,514**

[45] Date of Patent: ****Jul. 9, 1996**

[54] **GENERIC PUMP FOR A SOAP DISPENSER**

[76] Inventor: **Warren S. Daansen**, P.O. Box 614,
Nashua, N.H. 03061

[**] Term: **14 Years**

[21] Appl. No.: **36,202**

[22] Filed: **Mar. 15, 1995**

Related U.S. Application Data

- [63] Continuation-in-part of Ser. No. 23,579, May 27, 1994.
- [52] U.S. Cl. **D9/448; D6/542**
- [58] Field of Search D6/542, 545; D7/510,
D7/511; D9/300, 302, 338, 434-436, 439-442,
447-450, 453-454, 499; D8/330, 331; 222/180-181,
189, 325, 460, 525, 541, 566-567, 570,
571, 575, 207, 251, 320, 321.1; 215/211,
216, 232

[56] References Cited

U.S. PATENT DOCUMENTS

| | | | | |
|------------|---------|------------------|-------|---------|
| D. 57,107 | 2/1921 | Bown | | D8/14.1 |
| D. 130,326 | 11/1941 | Holland et al. | | D8/330 |
| D. 264,938 | 6/1982 | Stock | | D9/503 |
| D. 280,167 | 8/1985 | Keck | | D6/545 |
| D. 316,208 | 4/1991 | Griffiths et al. | | D7/398 |
| D. 326,581 | 6/1992 | Hanna et al. | | D6/545 |
| D. 327,647 | 7/1992 | Lemme | | D9/434 |

| | | | | |
|------------|---------|---------------|-------|-------------|
| D. 335,256 | 5/1993 | Slavin et al. | | D9/338 |
| D. 337,253 | 7/1993 | Curtis et al. | | D9/300 |
| D. 351,785 | 10/1994 | Newell | | D9/300 |
| D. 366,833 | 2/1996 | Daansen | | D9/447 |
| 1,668,511 | 5/1928 | McLaughlin | | 322/320 |
| 1,691,861 | 11/1928 | Stout | | 222/320 |
| 2,309,593 | 3/1943 | Beall, Jr. | | D9/442 |
| 2,412,295 | 12/1946 | Shaffer, Jr. | | 222/181.2 X |
| 2,630,006 | 3/1953 | Leach | | 222/320 |
| 3,011,528 | 12/1961 | Puplidy | | 222/320 |
| 4,967,931 | 11/1990 | Devries | | 222/571 X |
| 5,375,745 | 12/1994 | Ritsche | | 222/321 |

Primary Examiner—Jeffrey Asch
Attorney, Agent, or Firm—Vernon C. Maine

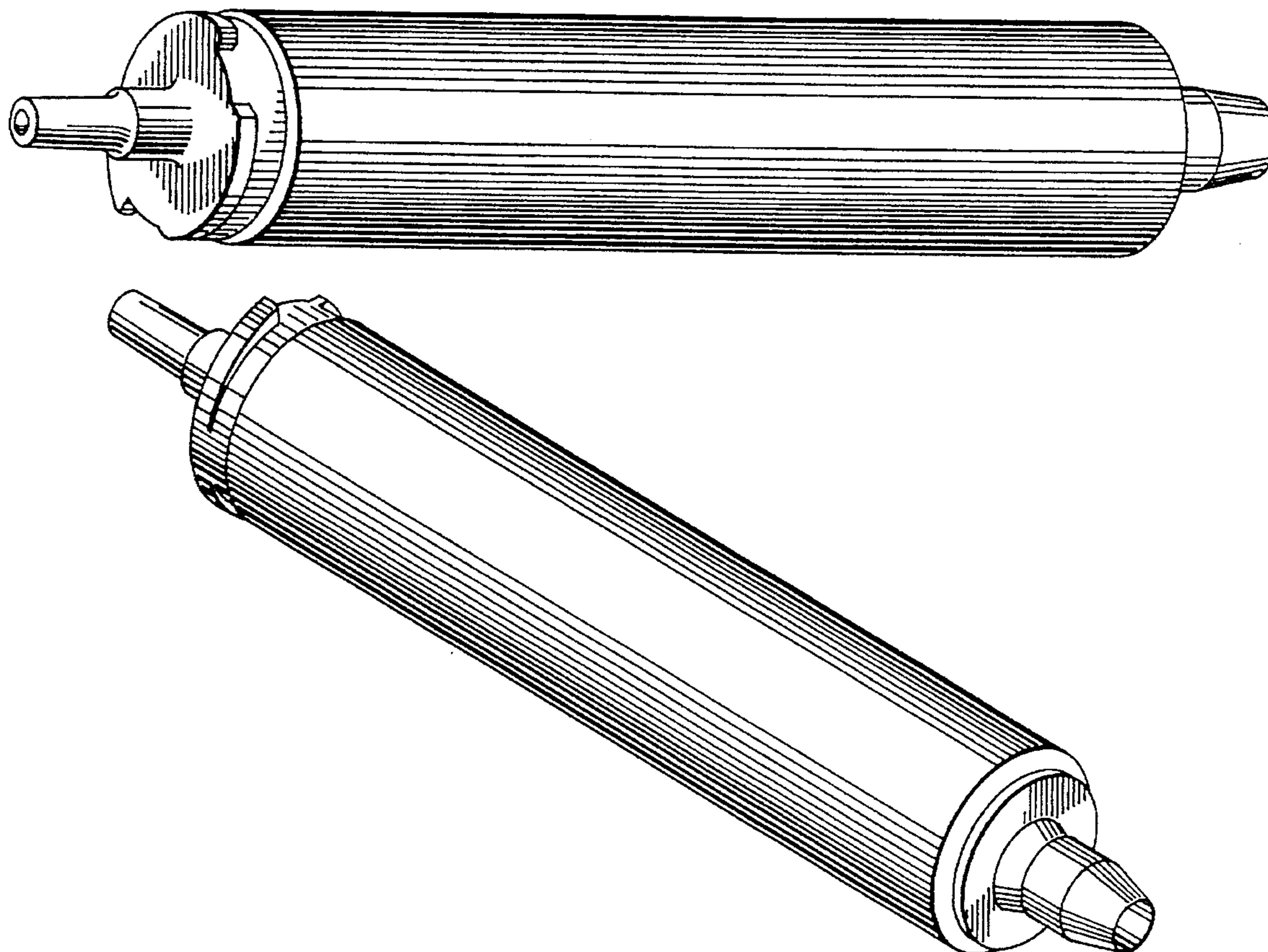
[57] CLAIM

The ornamental design for a generic pump for a soap dispenser, as shown and described.

DESCRIPTION

FIG. 1 is a lower-end and side perspective view of the generic pump for a soap dispenser showing my new design; FIG. 2 is an upper-end and side perspective view thereof; FIG. 3 is a lower-end elevation thereof; FIG. 4 is an upper end elevation thereof; FIG. 5 is a right side elevation thereof; FIG. 6 is a back side elevation thereof; and, FIG. 7 is a front side elevation thereof.

1 Claim, 2 Drawing Sheets



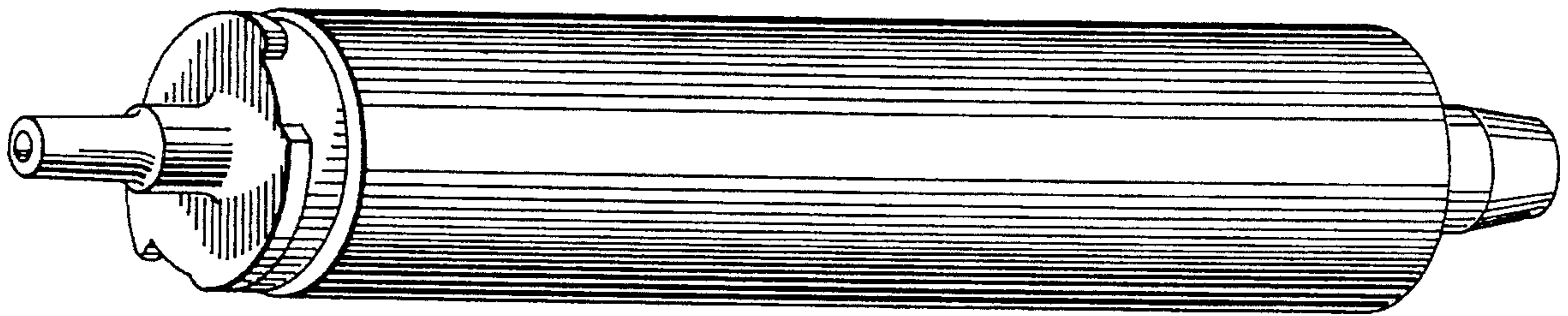


FIG. 1

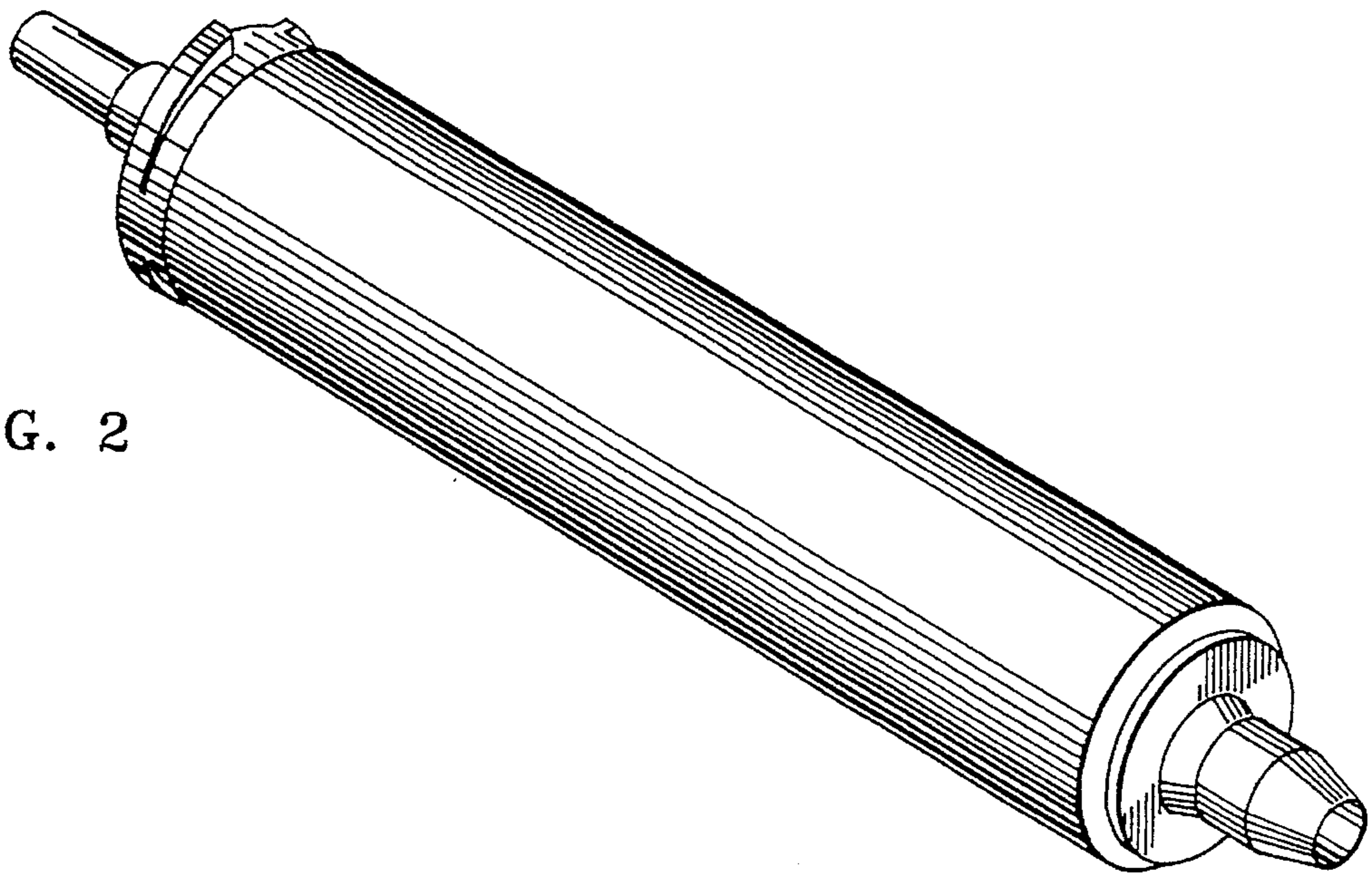


FIG. 2

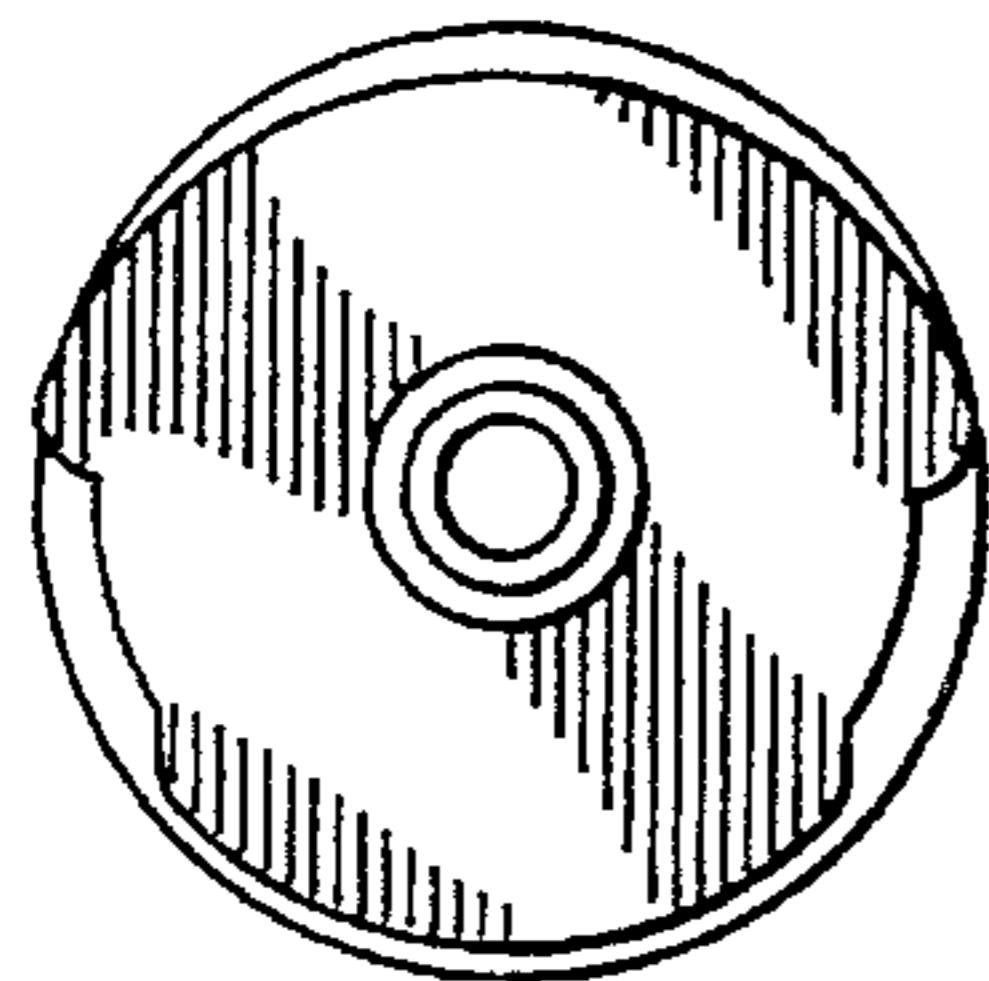


FIG. 3

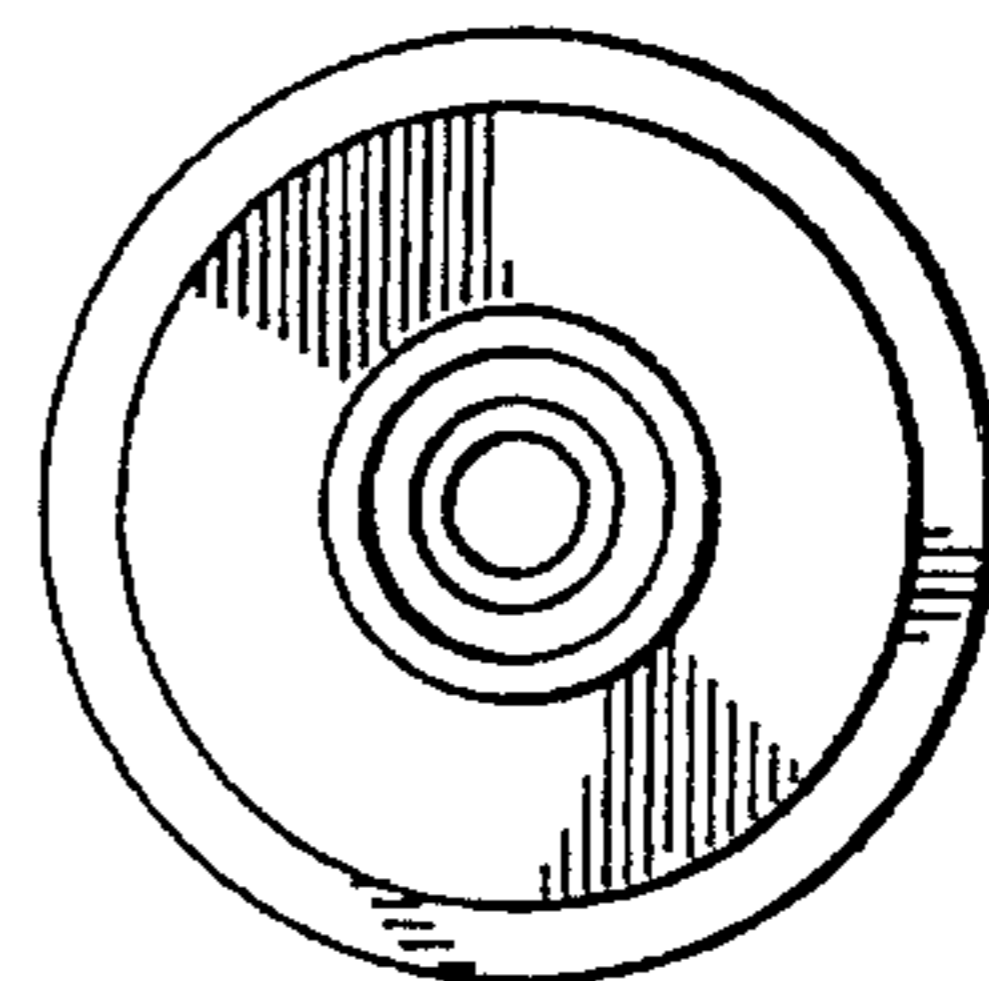


FIG. 4

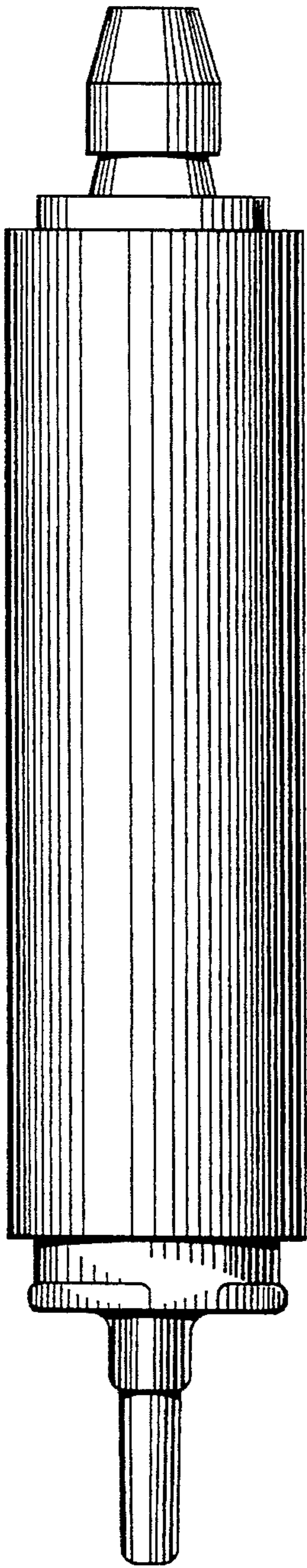


FIG. 5

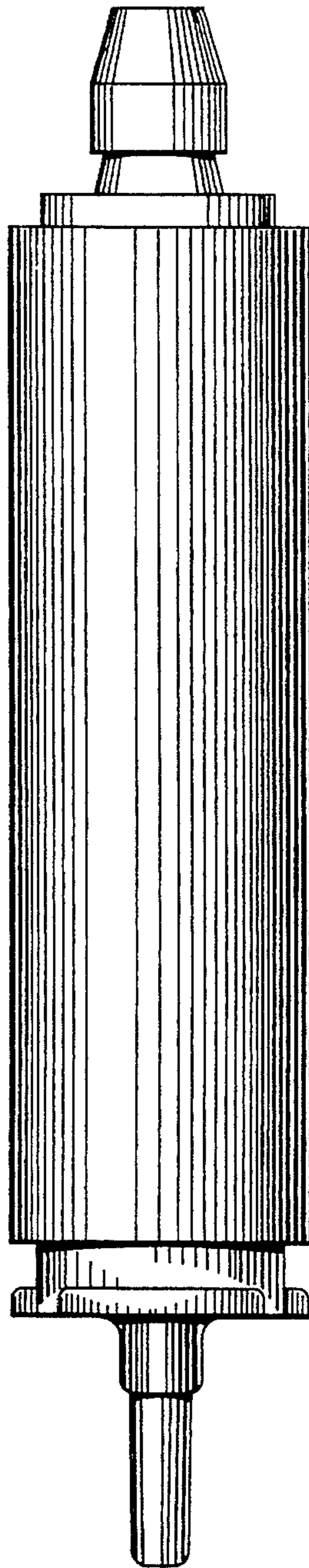


FIG. 6

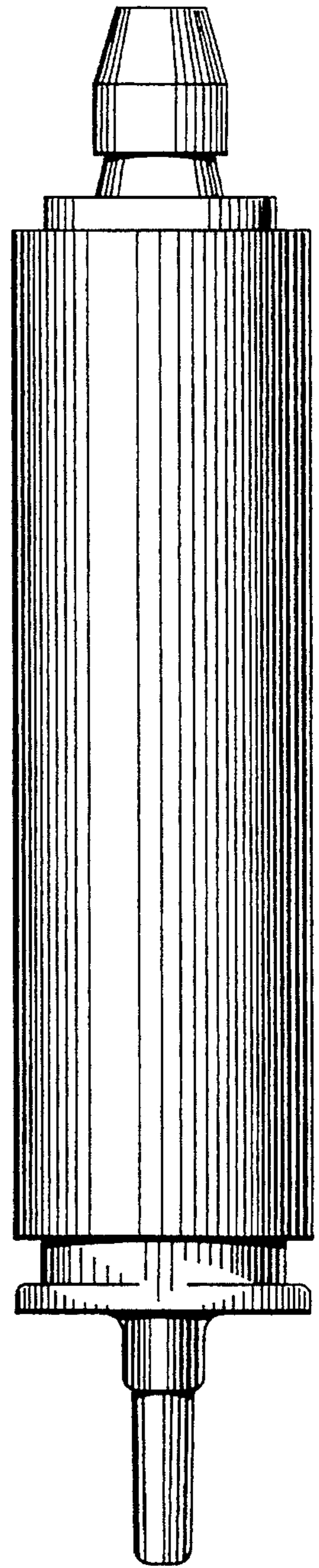


FIG. 7