



US00D371513S

# United States Patent [19]

[11] Patent Number: **Des. 371,513**

Scudder et al.

[45] Date of Patent: **\*\*Jul. 9, 1996**

[54] **END CAP FOR A CONTAINER**

*Attorney, Agent, or Firm*—Brown, Martin, Haller & McClain

[75] Inventors: **James A. Scudder**, San Diego; **James L. Berntsen**, Ramona, both of Calif.

[57] **CLAIM**

[73] Assignee: **Insta-Heat, Inc.**, San Diego, Calif.

The ornamental design for an end cap for a container, as shown and described.

[\*\*] Term: **14 Years**

**DESCRIPTION**

[21] Appl. No.: **25,518**

FIG. 1 is a perspective view of an end cap for a container showing my new design;

[22] Filed: **Jul. 5, 1994**

FIG. 2 is a top plan view thereof;

[52] U.S. Cl. .... **D9/434**

FIG. 3 is a side elevational view thereof, the opposing sides being identical to each other;

[58] Field of Search ..... D7/323, 326-7; D9/434-7, 439, 445, 449-50, 452, 454, 499; 215/228; 220/212, 278, 700; 222/570

FIG. 4 is a bottom plan view thereof;

FIG. 5 is a sectional view taken on line 5—5 of FIG. 2;

[56] **References Cited**

**U.S. PATENT DOCUMENTS**

D. 188,087	5/1960	Rowell	.....	D9/439
D. 211,806	7/1968	Swett	.....	D9/452
D. 237,592	11/1975	Christian	.....	D9/450
2,703,898	3/1955	Kellett	.....	220/700
3,895,743	7/1975	Christian	.....	222/570

FIG. 6 is a sectional view of an end cap for a container taken on line 6—6 of FIG. 2;

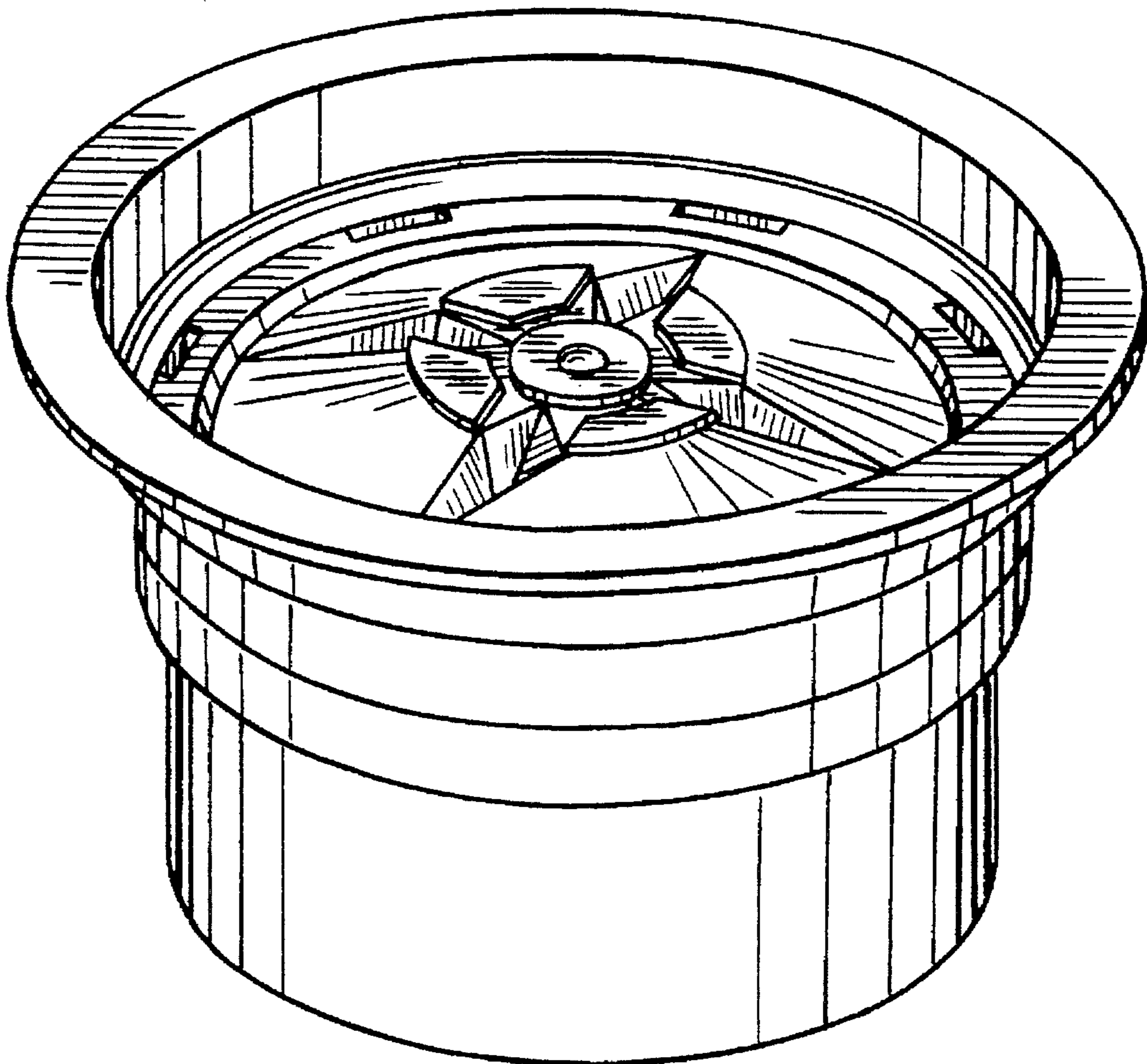
FIG. 7 is an enlarged perspective view of the prongs shown in FIG. 4; and,

FIG. 8 is an enlargement of the central portion of FIG. 4.

The broken line showing in FIG. 3 of a portion of a container is for illustrative purposes only and forms no part of the claimed design.

*Primary Examiner*—Alan P. Douglas  
*Assistant Examiner*—Robert M. Spear

**1 Claim, 3 Drawing Sheets**



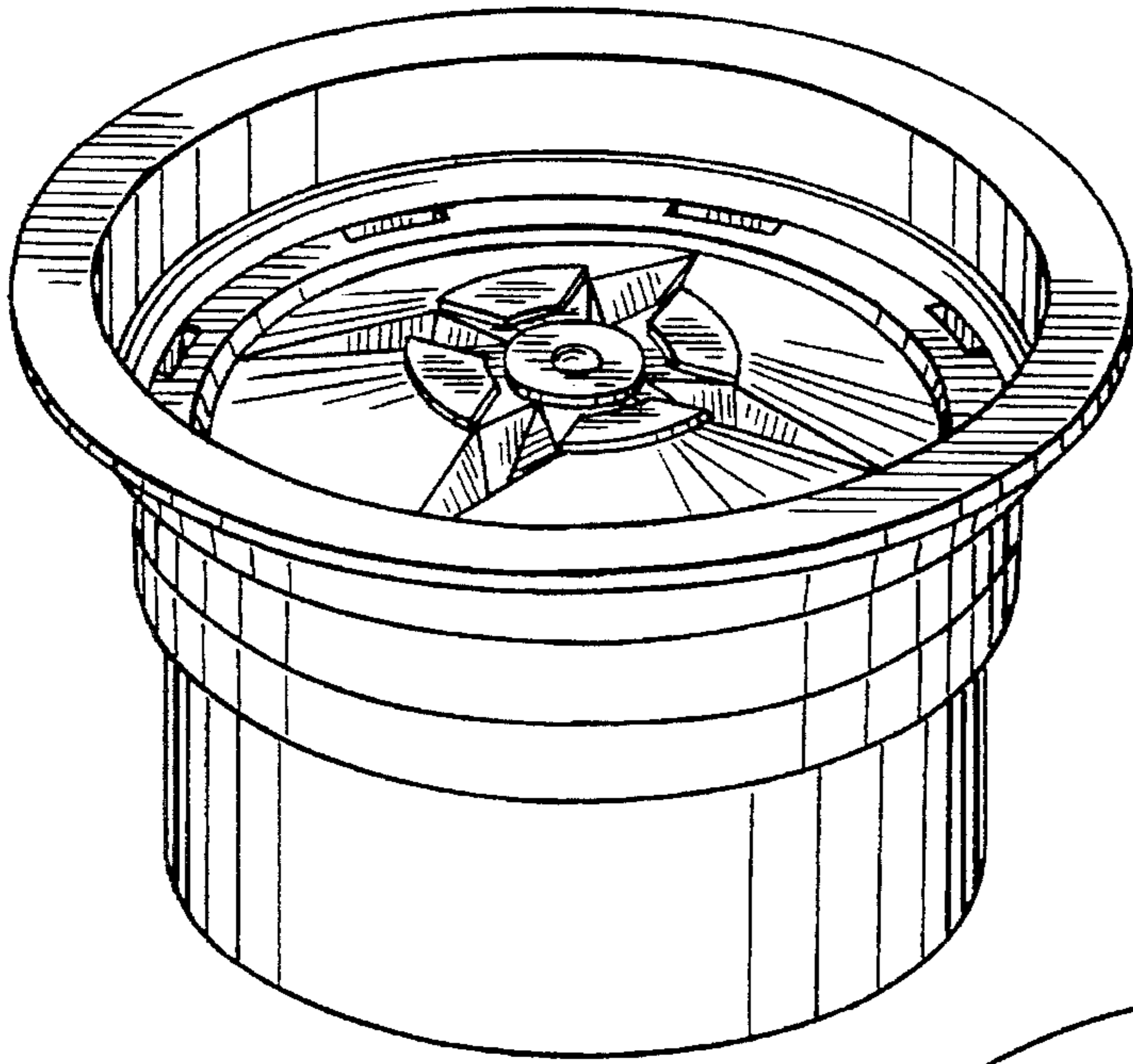


FIG. 1

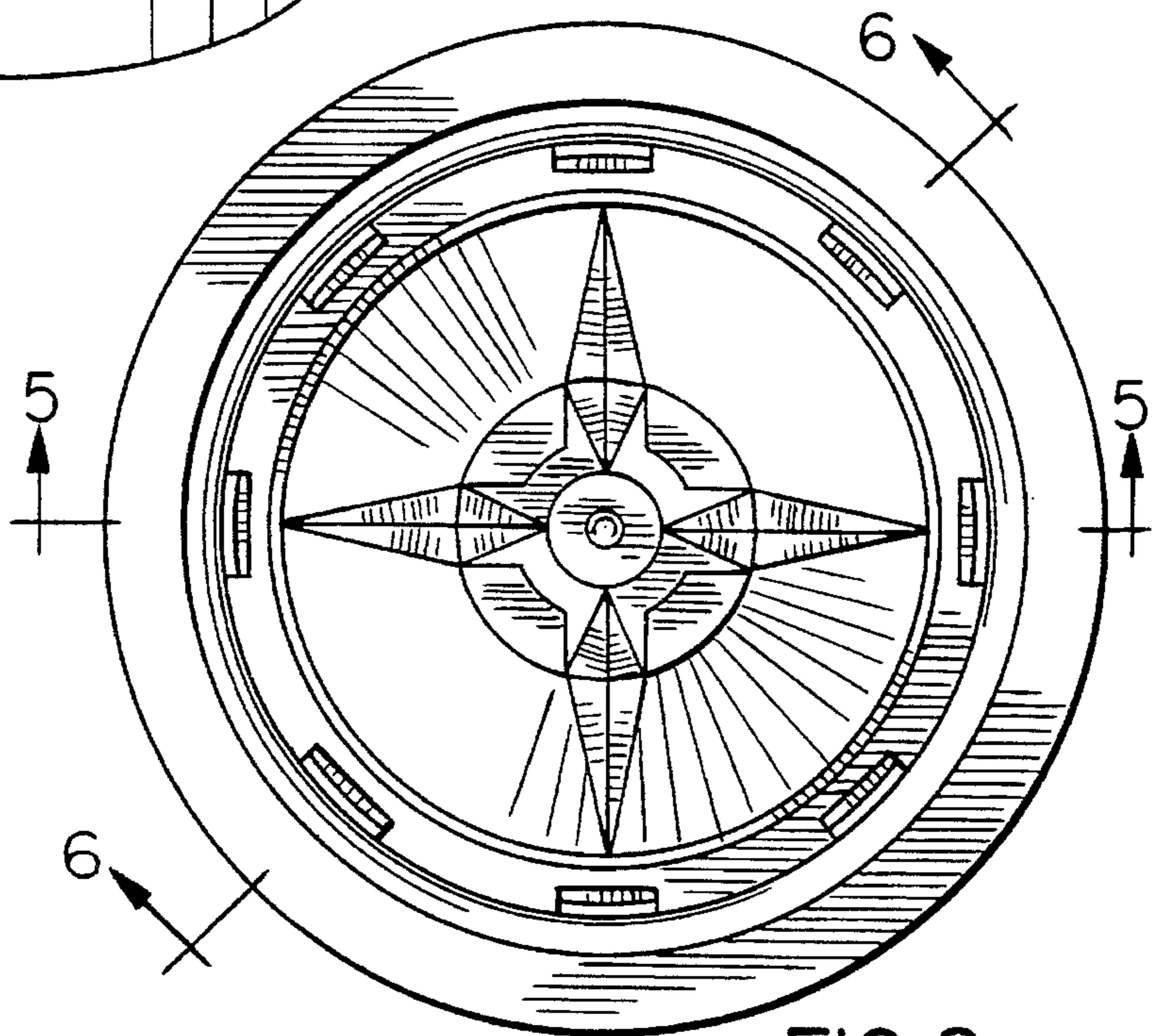


FIG 2

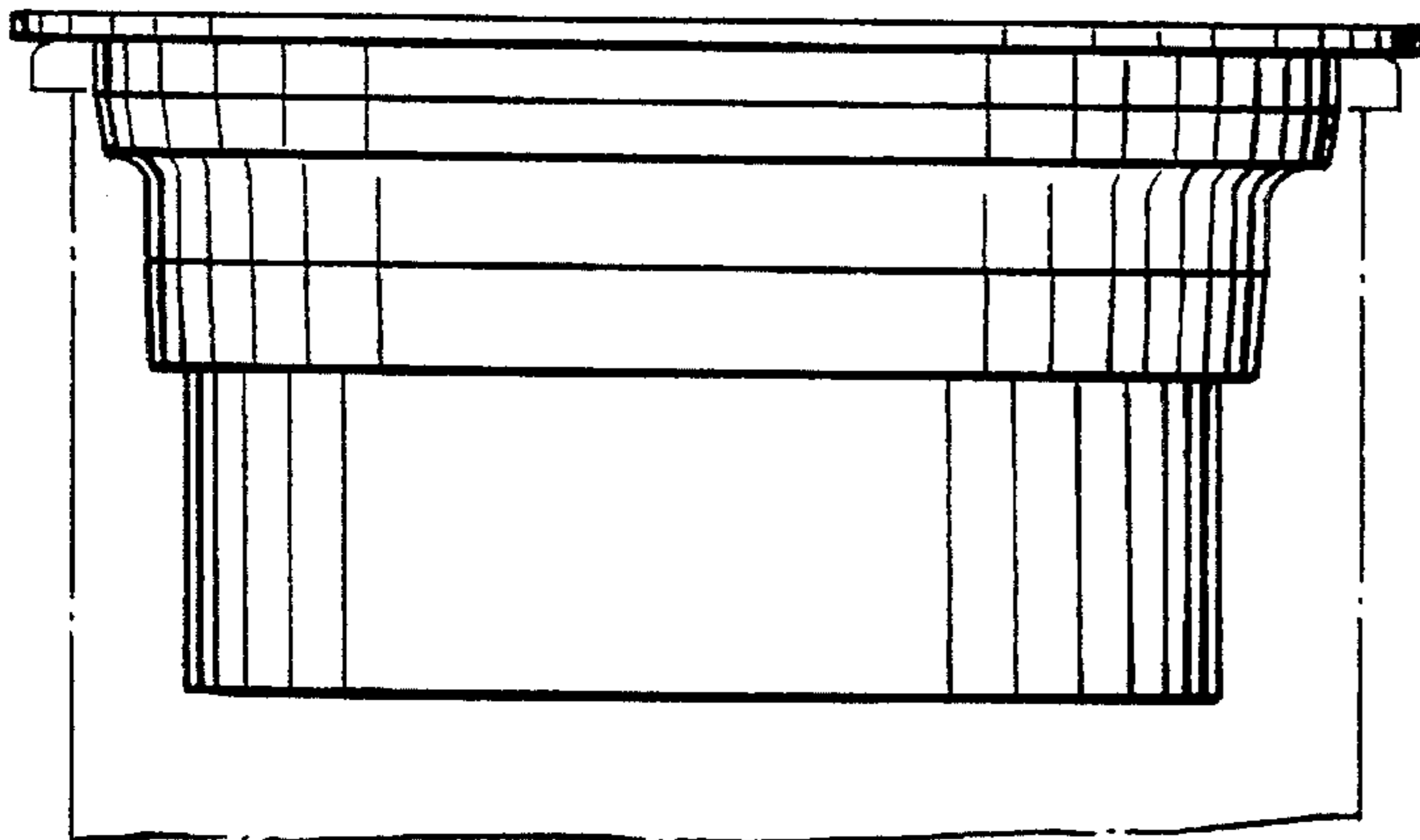


FIG. 3

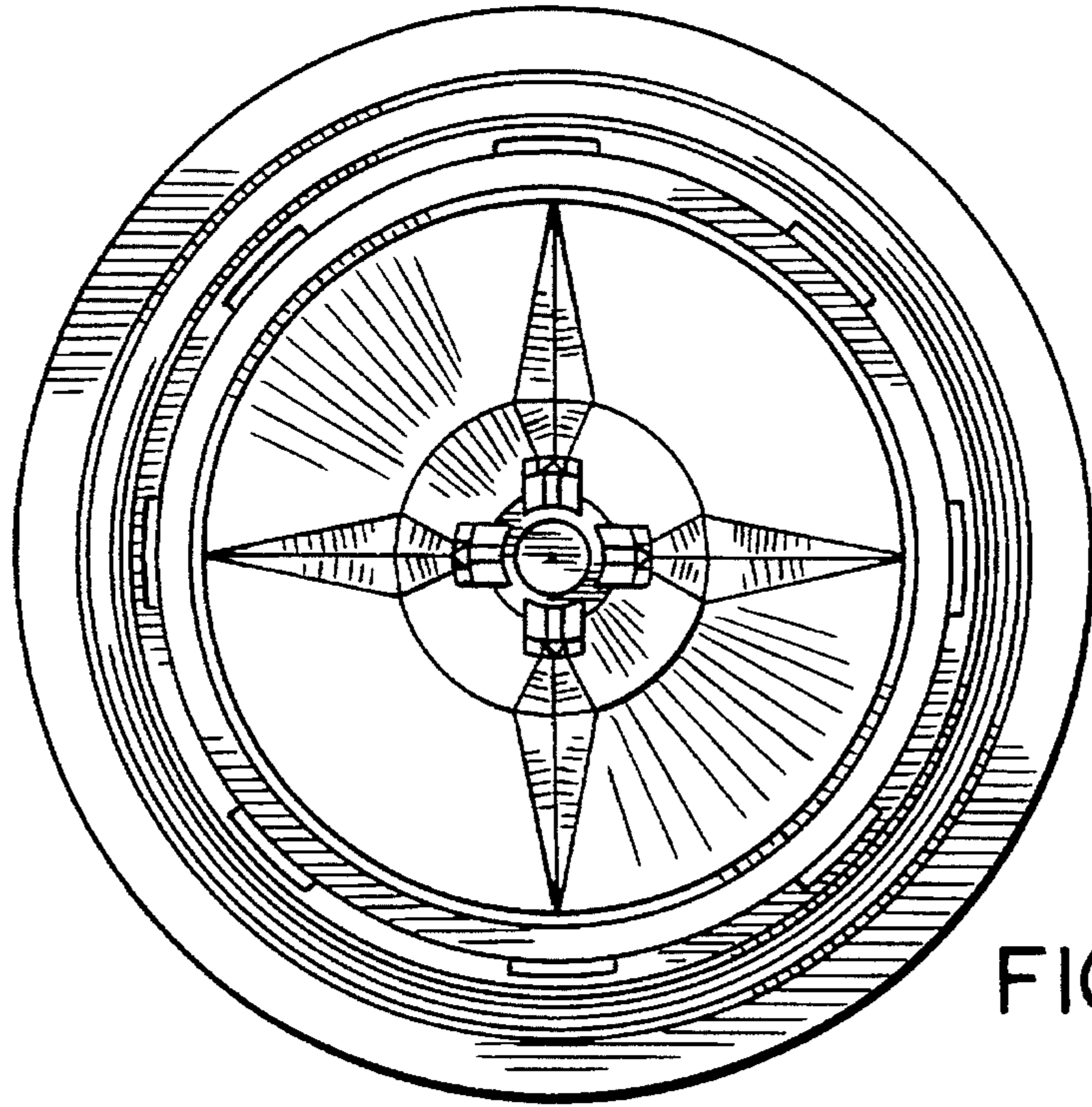


FIG. 4

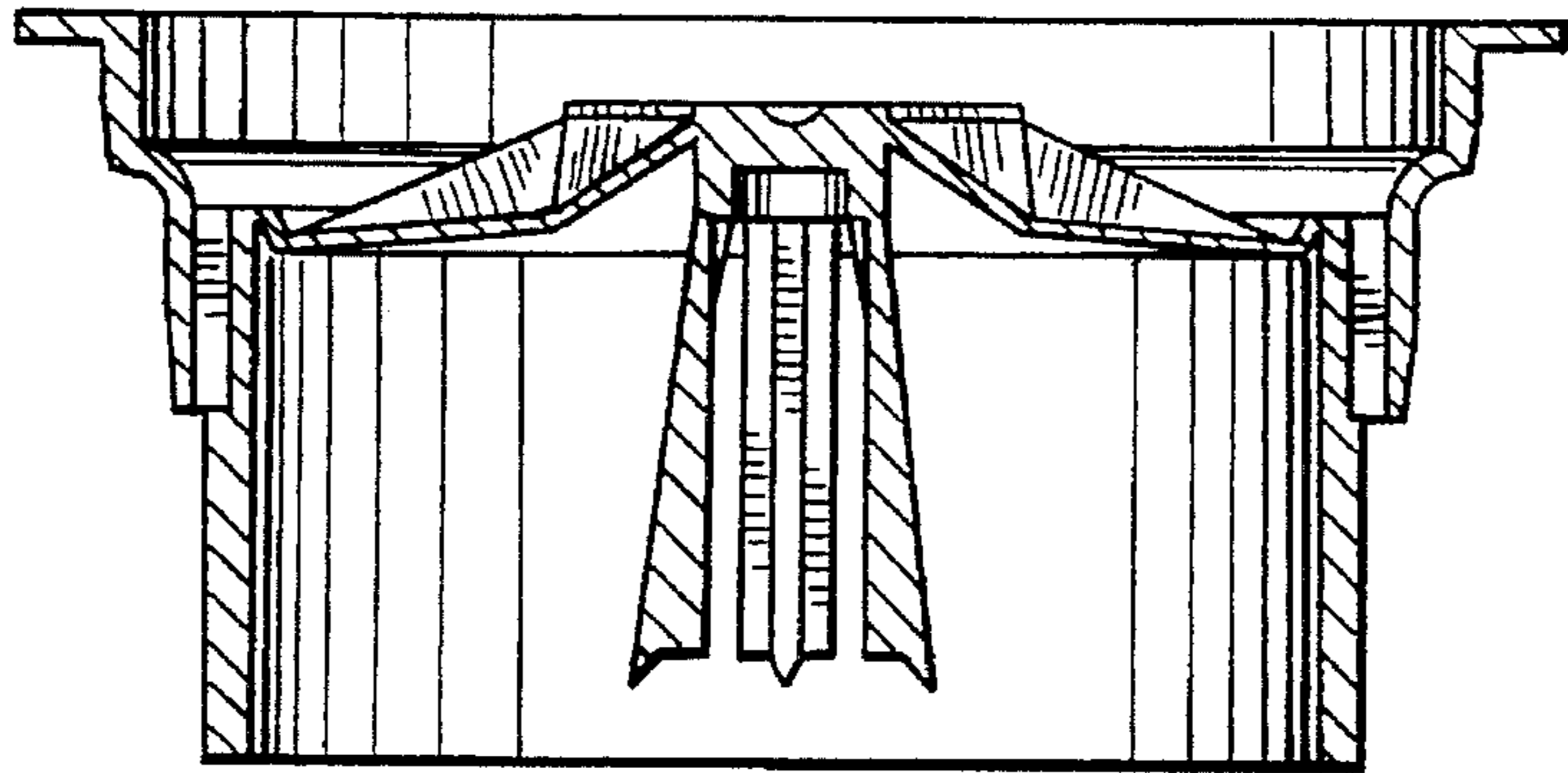


FIG. 5

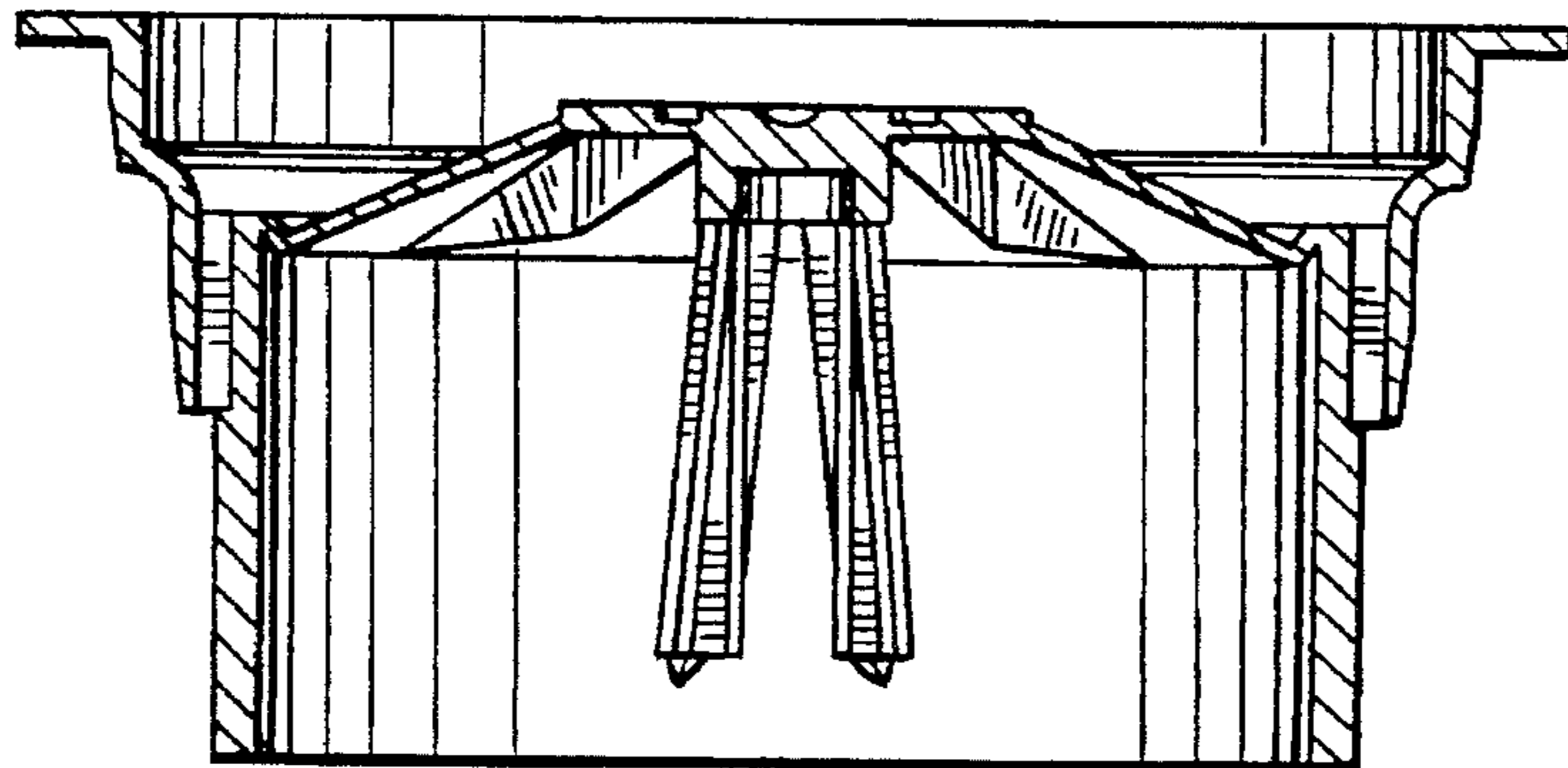


FIG. 6

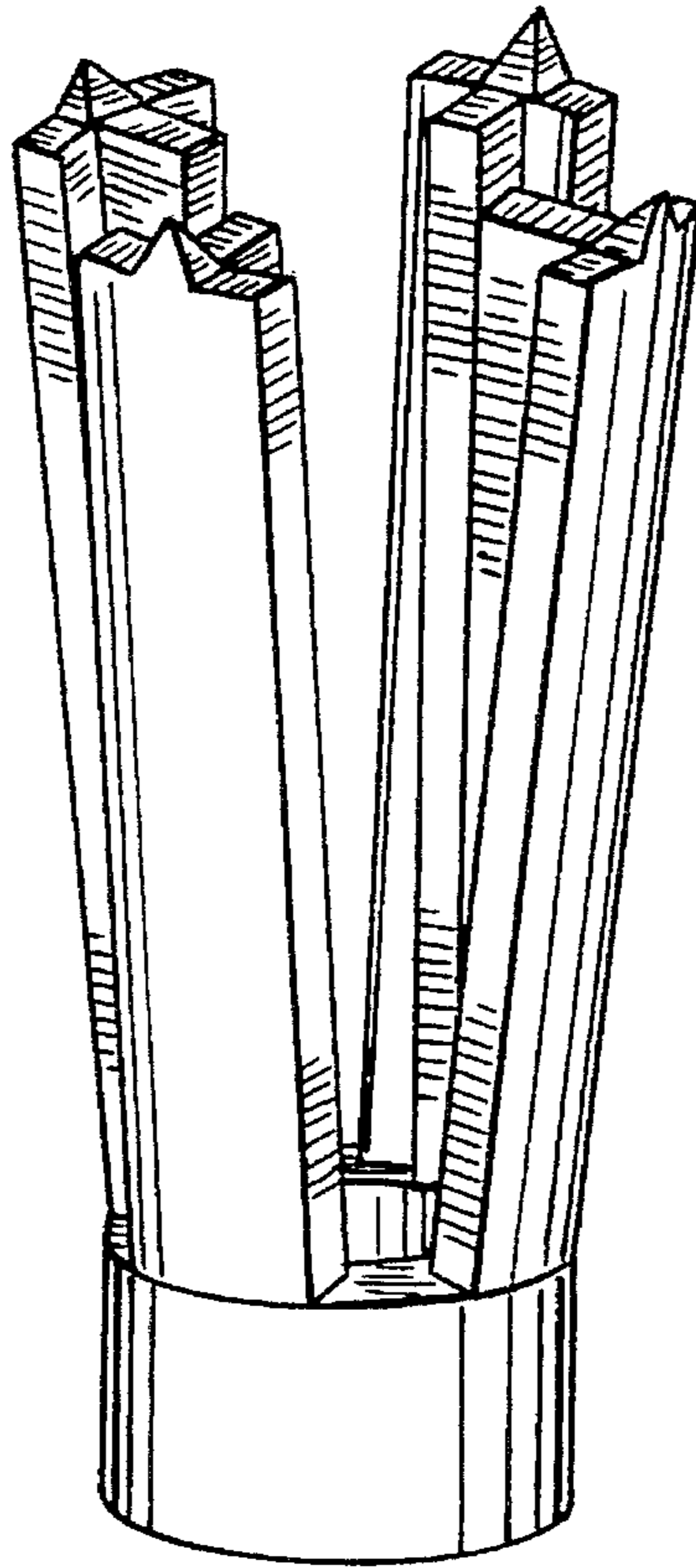


FIG. 7

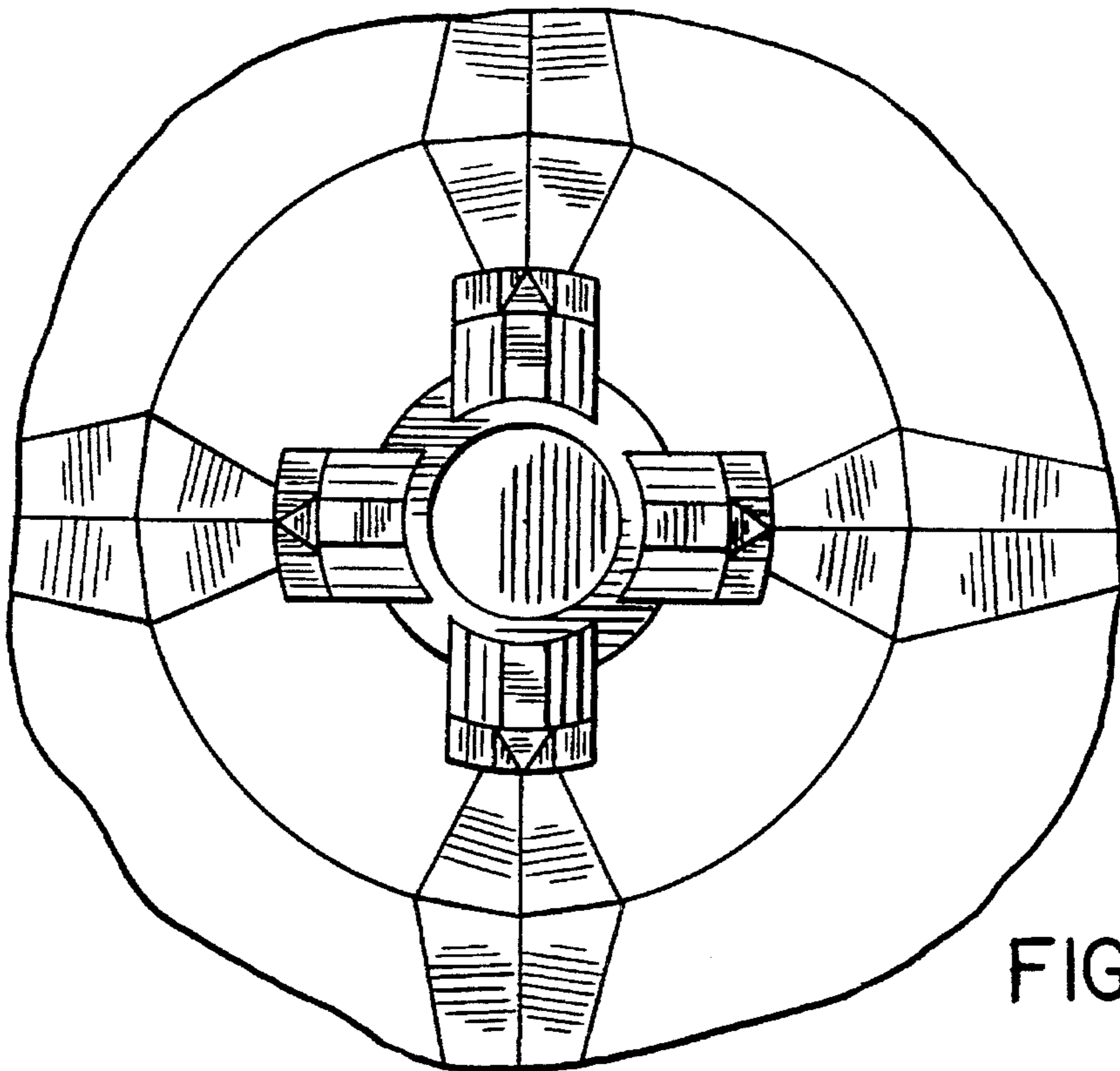


FIG. 8