



US00D371509S

United States Patent [19]
DiStacio

[11] **Patent Number: Des. 371,509**
[45] **Date of Patent: **Jul. 9, 1996**

[54] **THREADED NUT**
[75] Inventor: **Robert J. DiStacio**, Valhalla, N.Y.
[73] Assignee: **PermaThread Technologies, Inc.**,
Massapequa, N.Y.
[**] Term: **14 Years**
[21] Appl. No.: **28,122**
[22] Filed: **Sep. 7, 1994**
[52] **U.S. Cl.** **D8/397**
[58] **Field of Search** **D8/397; 411/7,**
411/114, 115, 195, 196, 299, 322, 329,
433, 427, 937.1

2,484,645 10/1949 Baumle .
2,679,879 6/1954 Engstrom D8/397 X
2,834,390 5/1958 Stevens .
3,176,746 4/1965 Walton .
3,517,717 6/1970 Orloski .
3,729,757 5/1973 Wright .
3,982,575 9/1976 Ollis, jr. .
4,024,899 5/1977 Stewart .
4,168,731 9/1979 Taber .
4,790,703 12/1988 Wing .
4,900,208 2/1990 Kaiser .
4,907,930 3/1990 Peterson 411/427 X
5,460,468 10/1995 DiStacio 411/329

Primary Examiner—Ted Shooman
Assistant Examiner—Paula Mortimer
Attorney, Agent, or Firm—Robert C. Kain, Jr.

[56] **References Cited**
U.S. PATENT DOCUMENTS
307,722 11/1884 Klemroth .
591,062 10/1897 Smith .
1,088,892 3/1914 Foreman .
1,089,159 3/1914 Santarcangelo .
1,136,310 4/1915 Burnett .
1,221,194 4/1917 Lang .
1,226,143 5/1917 Stubblefield .
1,245,362 11/1917 Lynch .
1,465,148 8/1923 Rosenberg .
2,232,336 2/1941 Meersteiner .
2,301,181 11/1942 Ilsemann .

[57] **CLAIM**
The ornamental design for threaded nut, as shown and described.

DESCRIPTION
FIG. 1 is a top view of the threaded nut that is the subject of the present invention;
FIG. 2 is a bottom view of the nut seen in FIG. 1;
FIG. 3 is a side elevational view thereof, the opposite side is a mirror image; and,
FIG. 4 is a perspective view of the threaded nut.

1 Claim, 2 Drawing Sheets

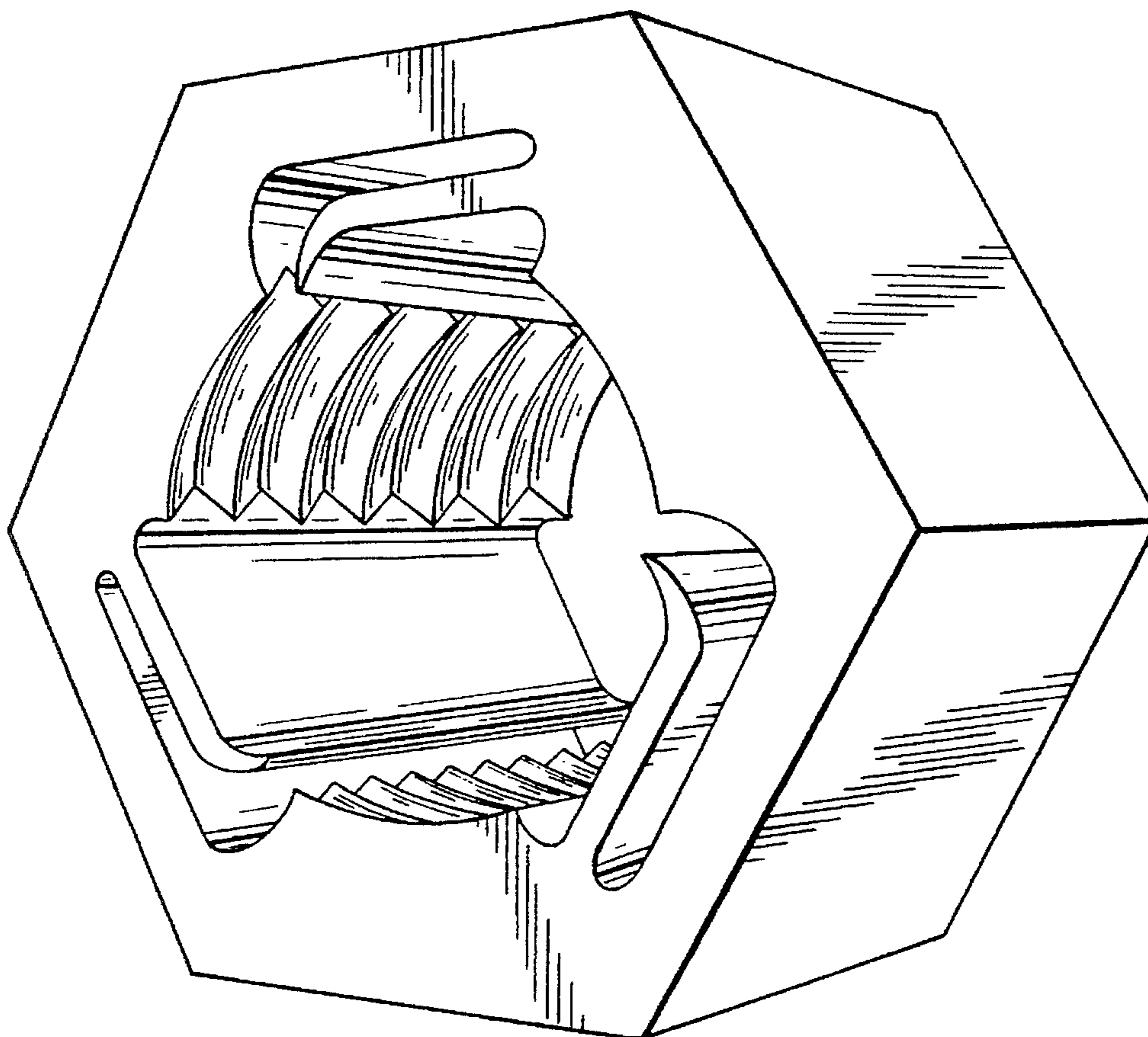


FIG. 1

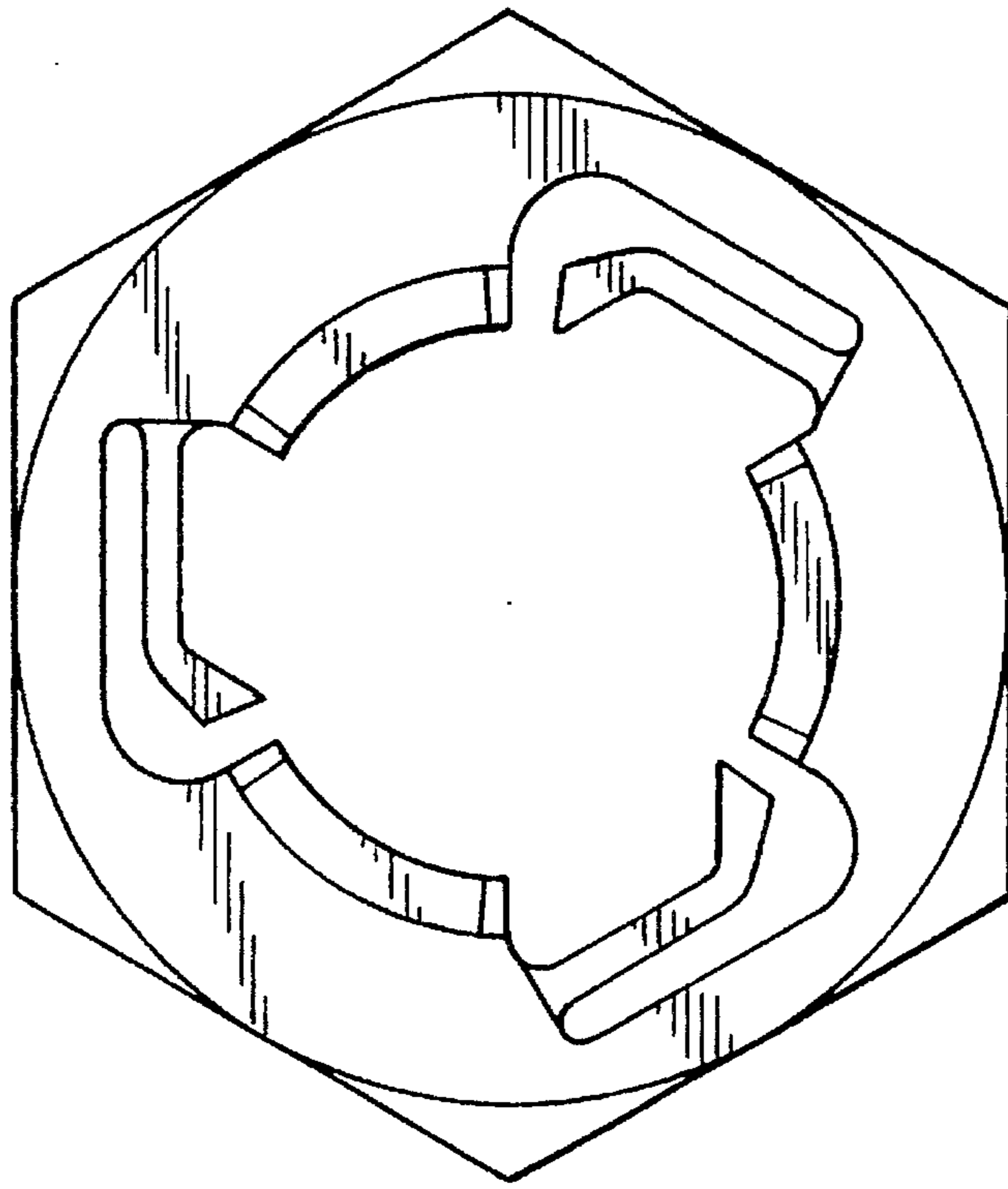


FIG. 2

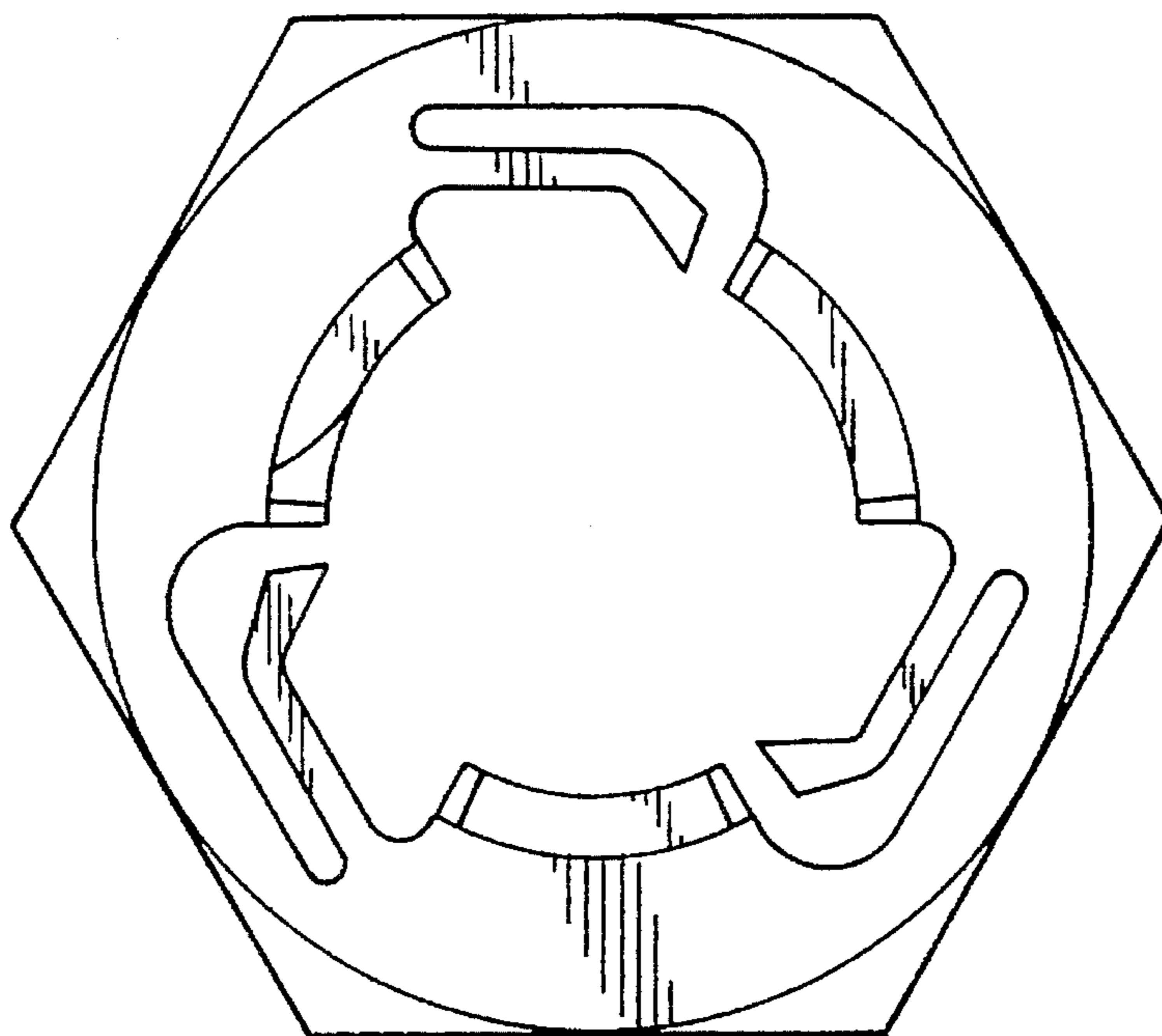


FIG. 3

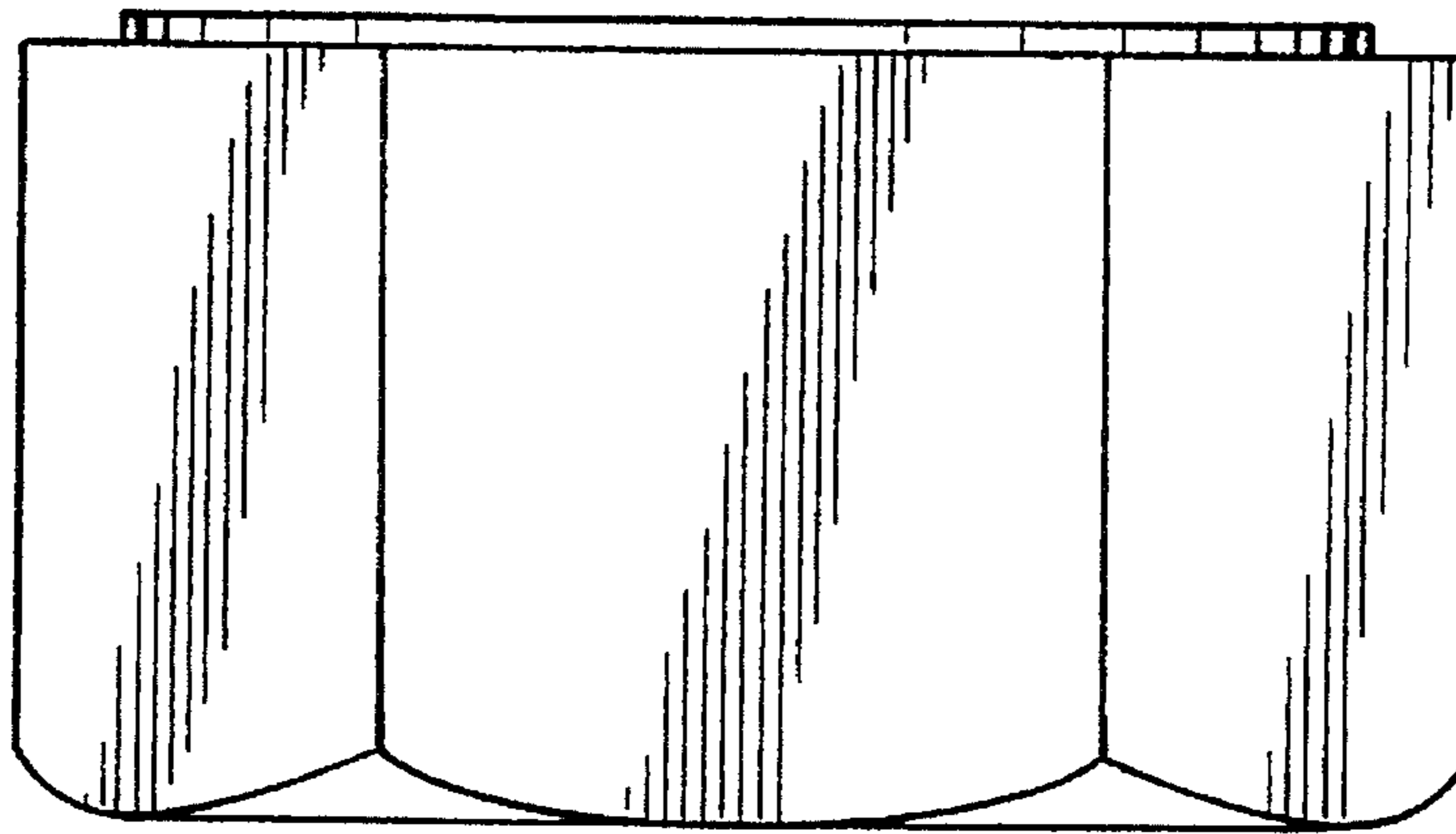
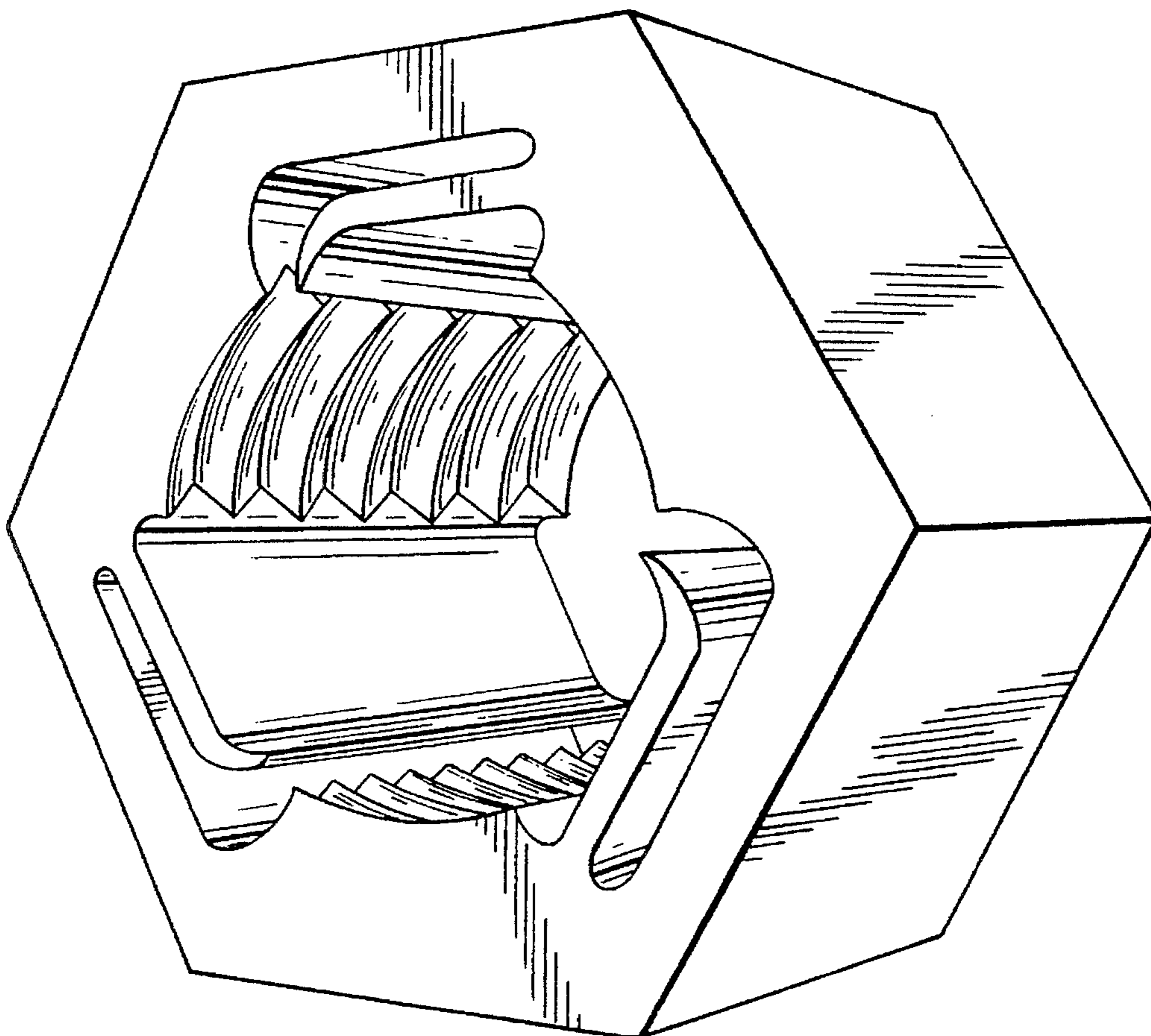


FIG. 4



UNITED STATES PATENT AND TRADEMARK OFFICE
CERTIFICATE OF CORRECTION

PATENT NO. : Des, 371,509
DATED : July 9, 1996
INVENTOR(S) : Robert J. DiStaeio

It is certified that error appears in the above-identified patent and that said Letters Patent is hereby corrected as shown below:

On the title page, the
inventor's name "DiStacio" is hereby corrected to
--DiStasio--.

Signed and Sealed this
Tenth Day of February, 1998

Attest:



BRUCE LEHMAN

Attesting Officer

Commissioner of Patents and Trademarks