



US00D371504S

United States Patent [19]
Massie

[11] **Patent Number:** **Des. 371,504**

[45] **Date of Patent:** ****Jul. 9, 1996**

[54] **MOUNTING CLIP**

[75] Inventor: **Joseph E. Massie**, Benton Harbor, Mich.

[73] Assignee: **E. I. Partners**, Eau Claire, Mich.

[**] Term: **14 Years**

[21] Appl. No.: **26,791**

[22] Filed: **Aug. 5, 1994**

[52] **U.S. Cl.** **D8/349**

[58] **Field of Search** D8/349, 382, 354;
24/129 R, 115 R; 248/74.1, 68.1, 74.2

[56] **References Cited**

U.S. PATENT DOCUMENTS

D. 35,028	9/1901	Ricker	D8/356 X
D. 35,029	9/1901	Ricker	D8/356 X
83,983	11/1868	Marrin .	
D. 270,034	8/1983	Shepard	D8/381
D. 309,859	8/1990	Lysgaard	D8/395
1,230,758	6/1917	Murnane .	

1,327,011	1/1920	Arndt .	
2,269,264	1/1942	Haim	292/62
4,146,074	3/1979	Kowalski	151/41.75
4,820,096	4/1989	Knight	411/169

Primary Examiner—James M. Gandy
Assistant Examiner—Holly Baynham
Attorney, Agent, or Firm—Flynn, Thiel, Boutell & Tanis

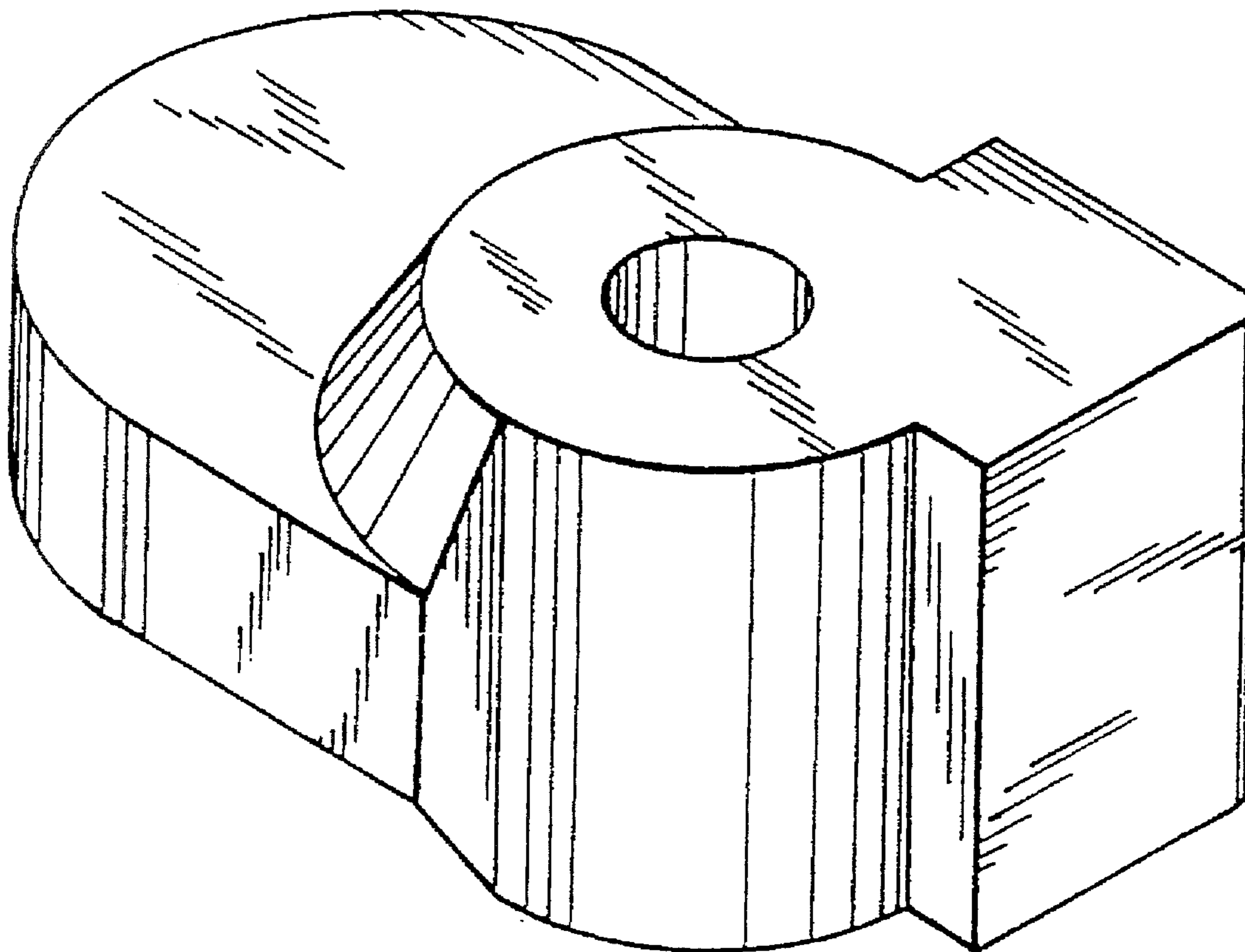
[57] **CLAIM**

The ornamental design for a mounting clip, as shown and described.

DESCRIPTION

FIG. 1 is a top and right end isometric view of a mounting clip embodying the inventive design;
FIG. 2 is a front view thereof;
FIG. 3 is a rear view thereof;
FIG. 4 is a right end view thereof;
FIG. 5 is a left end view thereof; and,
FIG. 6 is a top view thereof, the bottom view being a mirror image thereto.

1 Claim, 1 Drawing Sheet



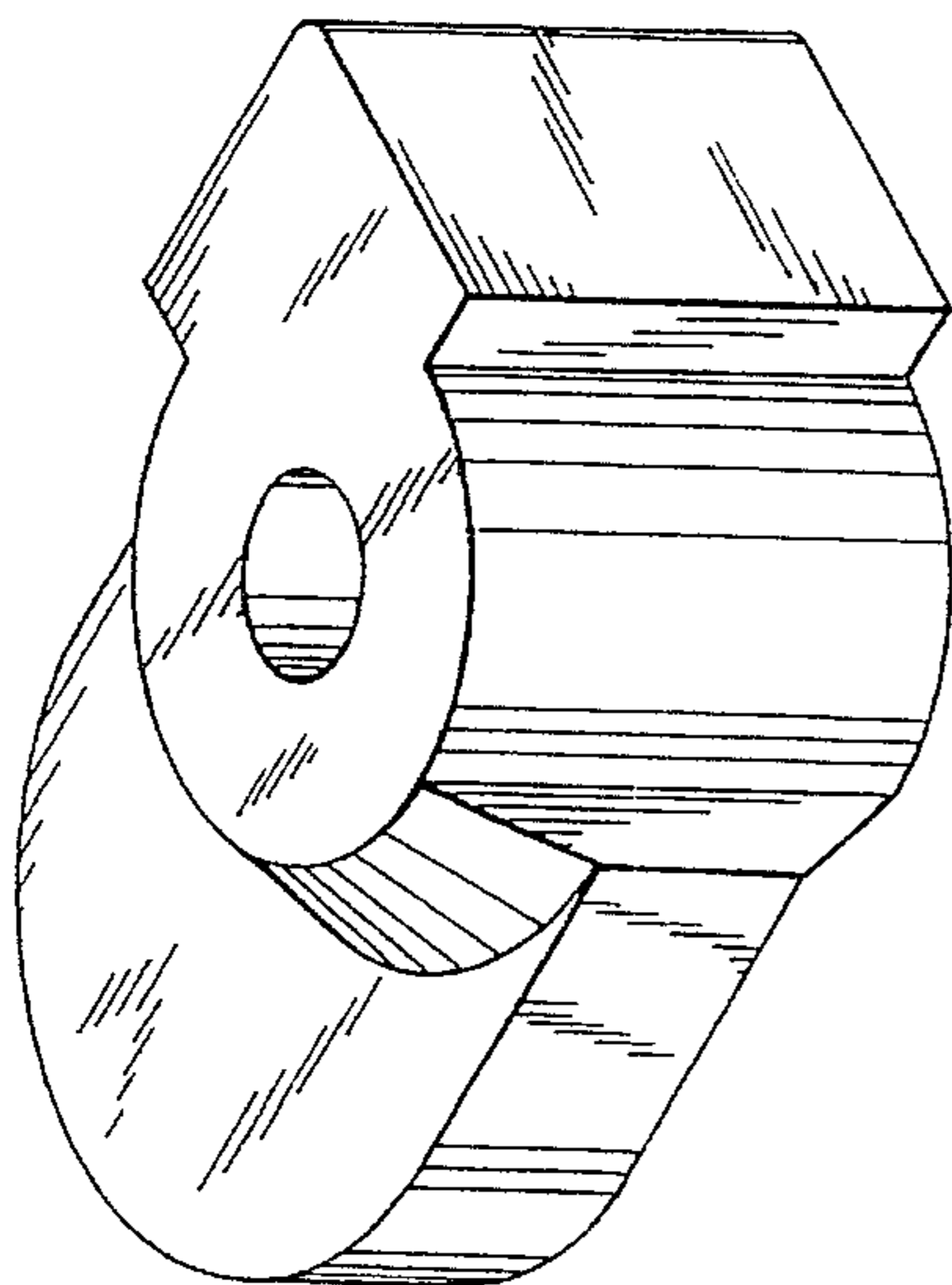


FIG. 1

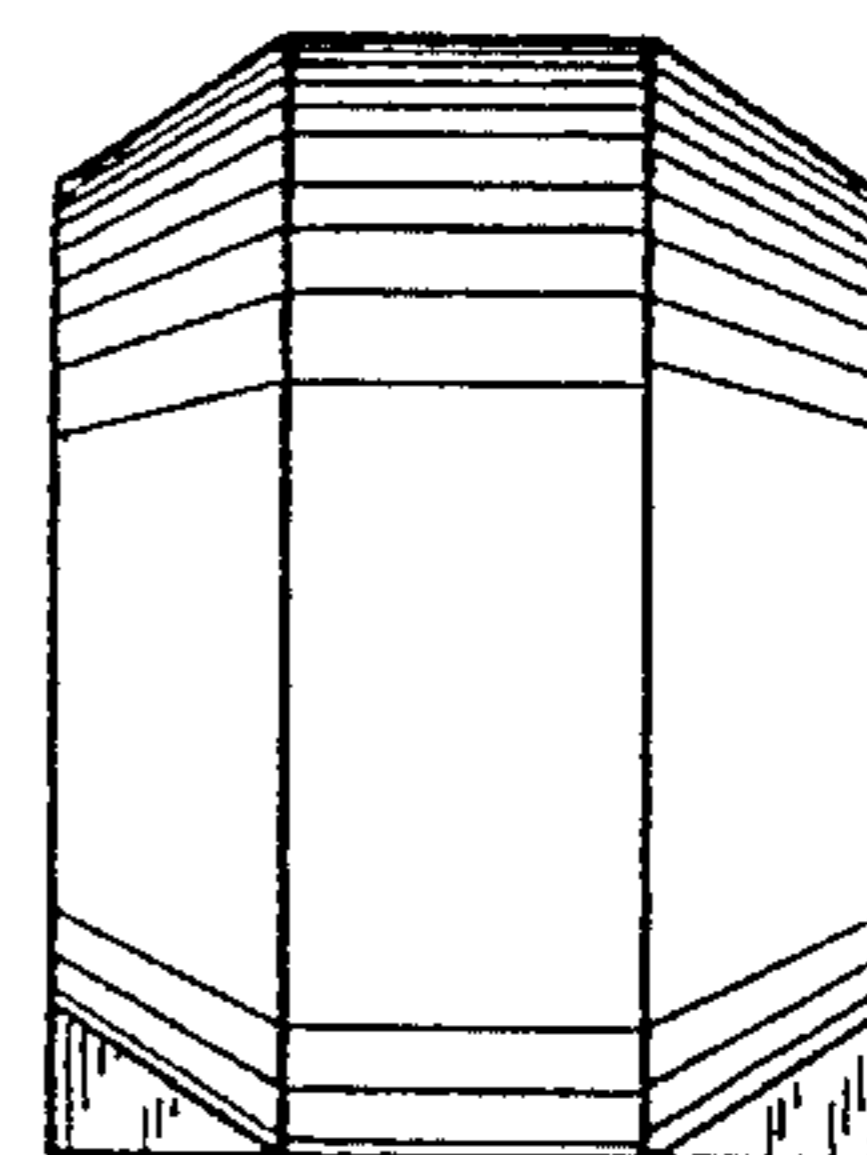


FIG. 5

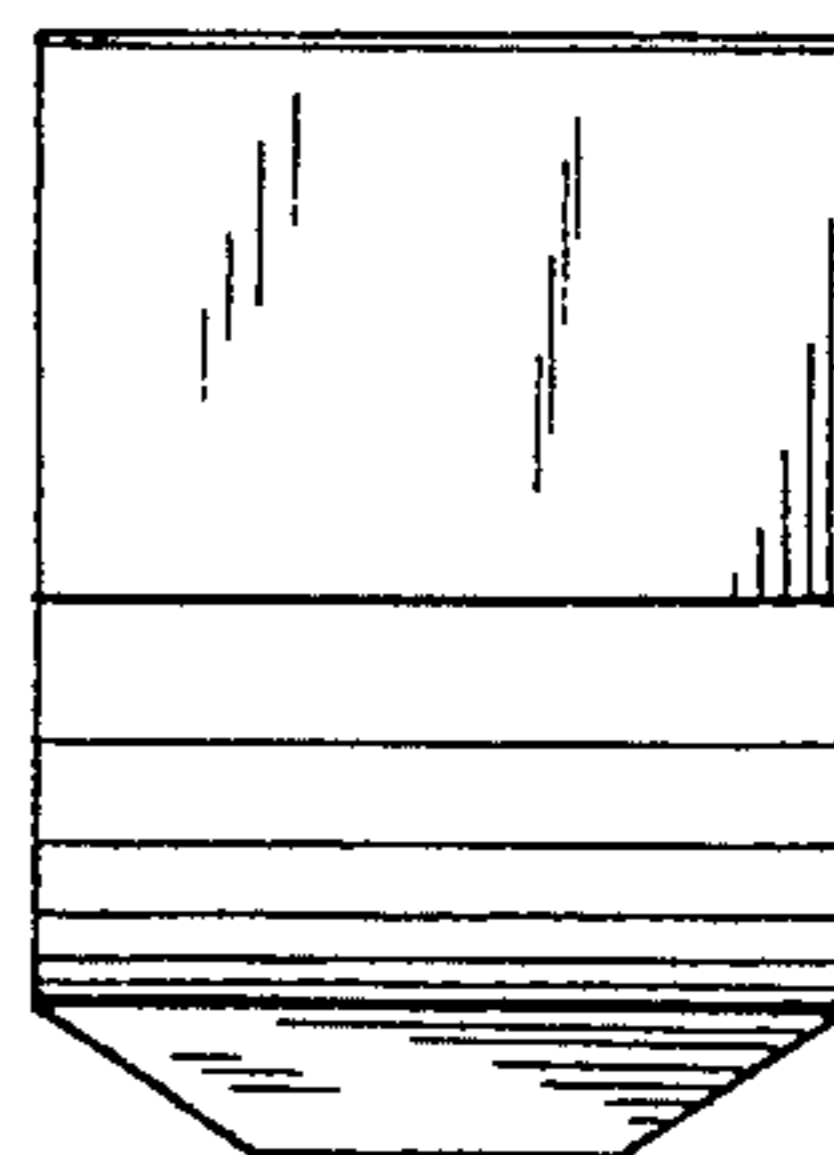


FIG. 4

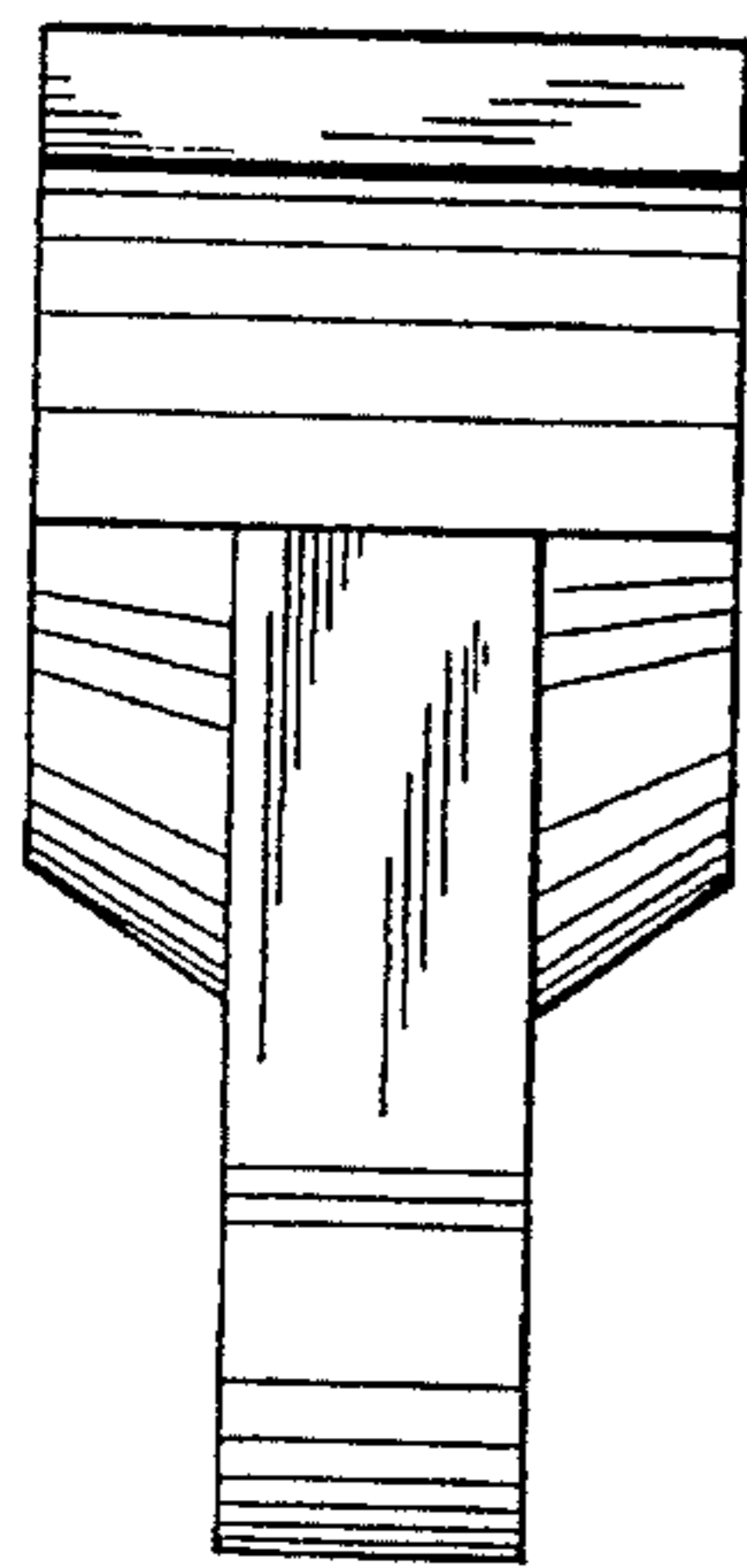


FIG. 2

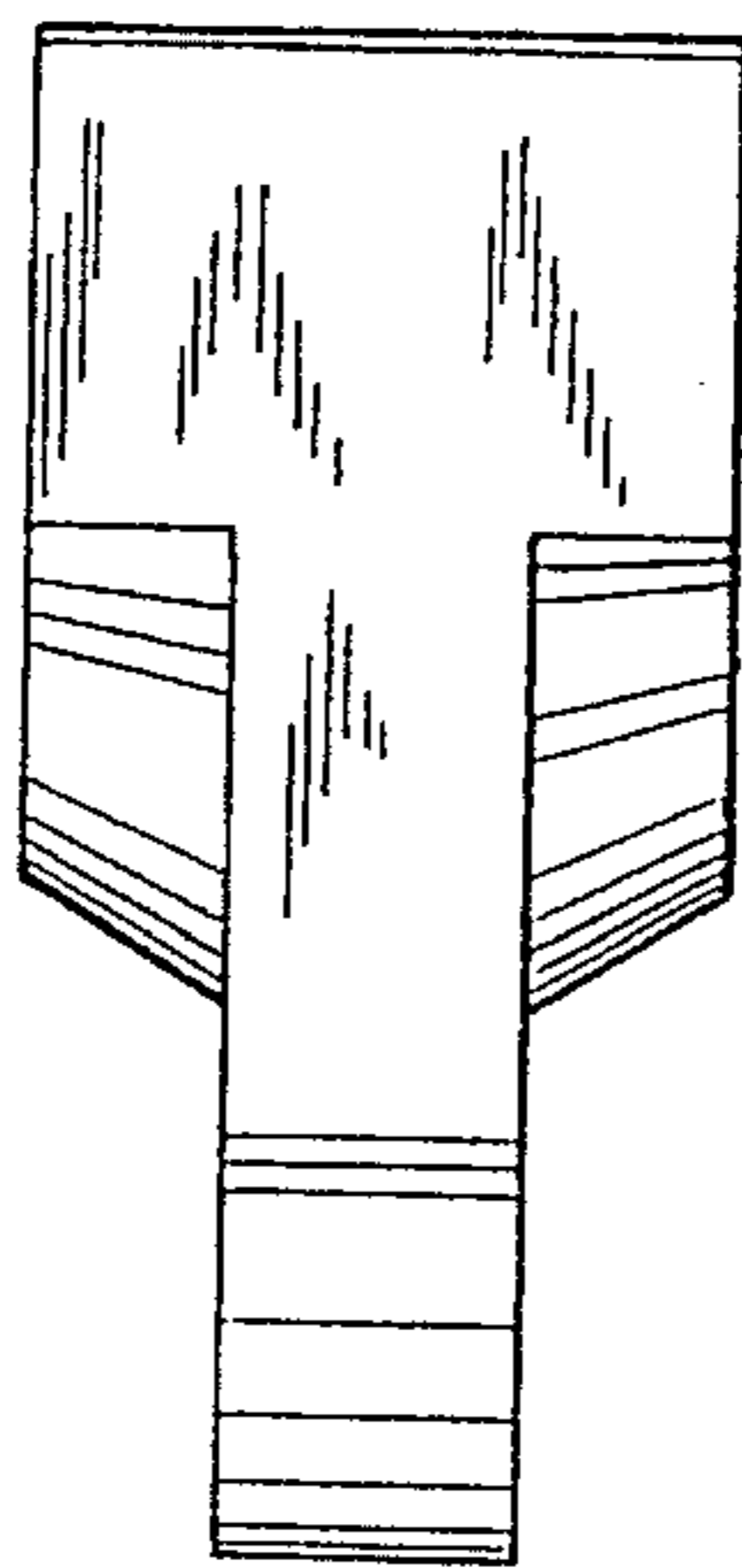


FIG. 3

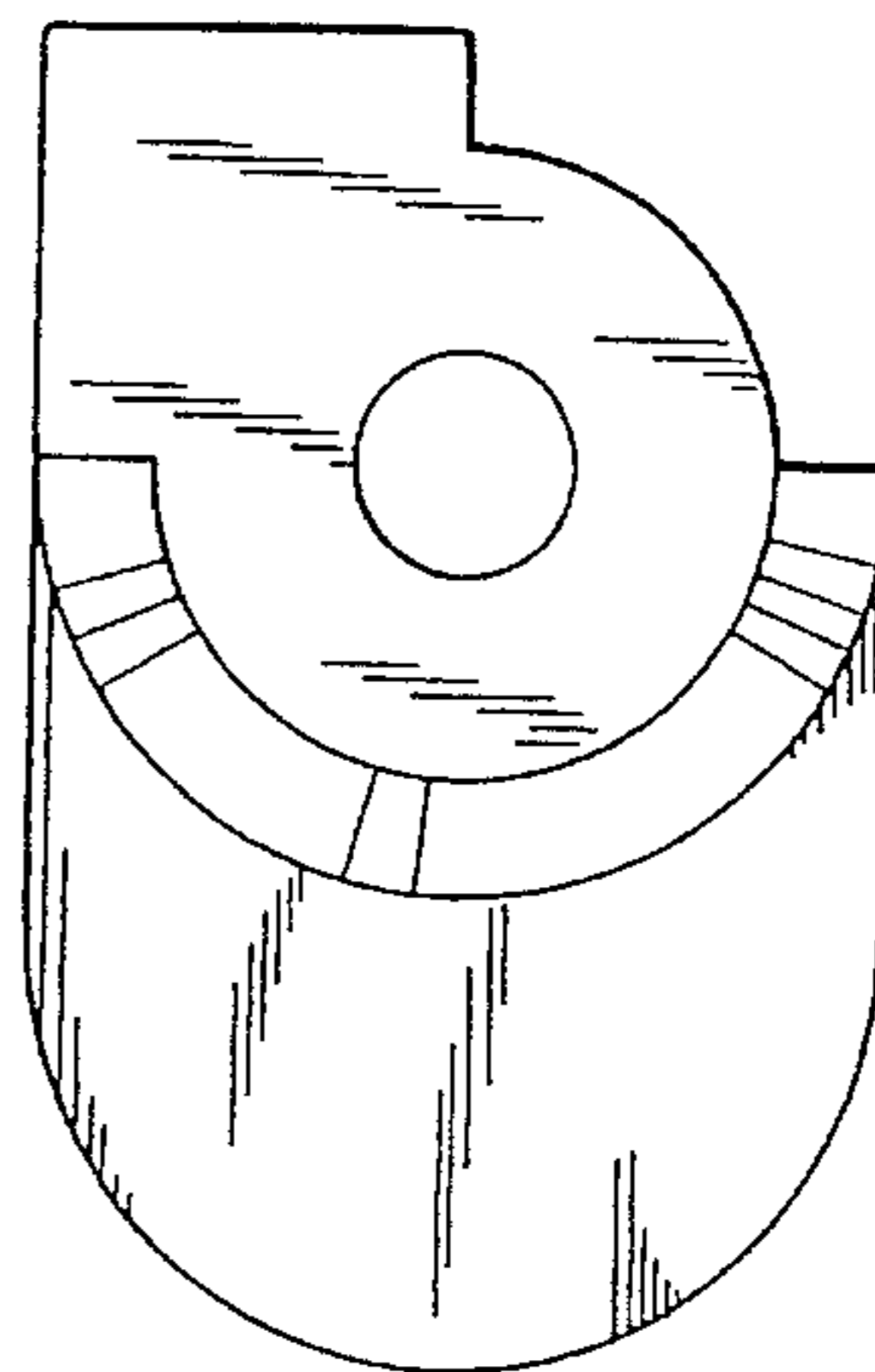


FIG. 6