



US00D371503S

United States Patent [19]

Nakano

[11] Patent Number: **Des. 371,503**

[45] Date of Patent: ****Jul. 9, 1996**

[54] **AUXILIARY LOCK**

D. 324,480 3/1992 Roop et al. D8/341

[75] Inventor: **Yoshio Nakano**, Tokyo, Japan

Primary Examiner—Brian N. Vinson

[73] Assignee: **Sanpou Lock Co., Ltd.**, Tokyo, Japan

Attorney, Agent, or Firm—Nikaido, Marmelstein, Murray & Oram

[**] Term: **14 Years**

[57] **CLAIM**

[21] Appl. No.: **35,119**

The ornamental design for auxiliary lock, as shown and described.

[22] Filed: **Feb. 21, 1995**

DESCRIPTION

[30] **Foreign Application Priority Data**

Nov. 2, 1994 [JP] Japan 6-269396

[52] **U.S. Cl.** **D8/331; D8/341**

[58] **Field of Search** **D8/330-331, 336, D8/338-9, 341; 70/77, 91, 95, 101, 102**

FIG. 1 is a perspective view of the auxiliary lock showing my new design;

FIG. 2 is a front elevational view thereof;

FIG. 3 is a rear elevational view thereof;

FIG. 4 is a right side elevational view thereof;

FIG. 5 is a left side elevational view thereof;

FIG. 6 is a top plan view thereof; and,

FIG. 7 is a bottom plan view thereof.

[56] **References Cited**

U.S. PATENT DOCUMENTS

D. 285,772 9/1986 Oliver D8/341

D. 297,109 8/1988 Christie D8/341

1 Claim, 2 Drawing Sheets

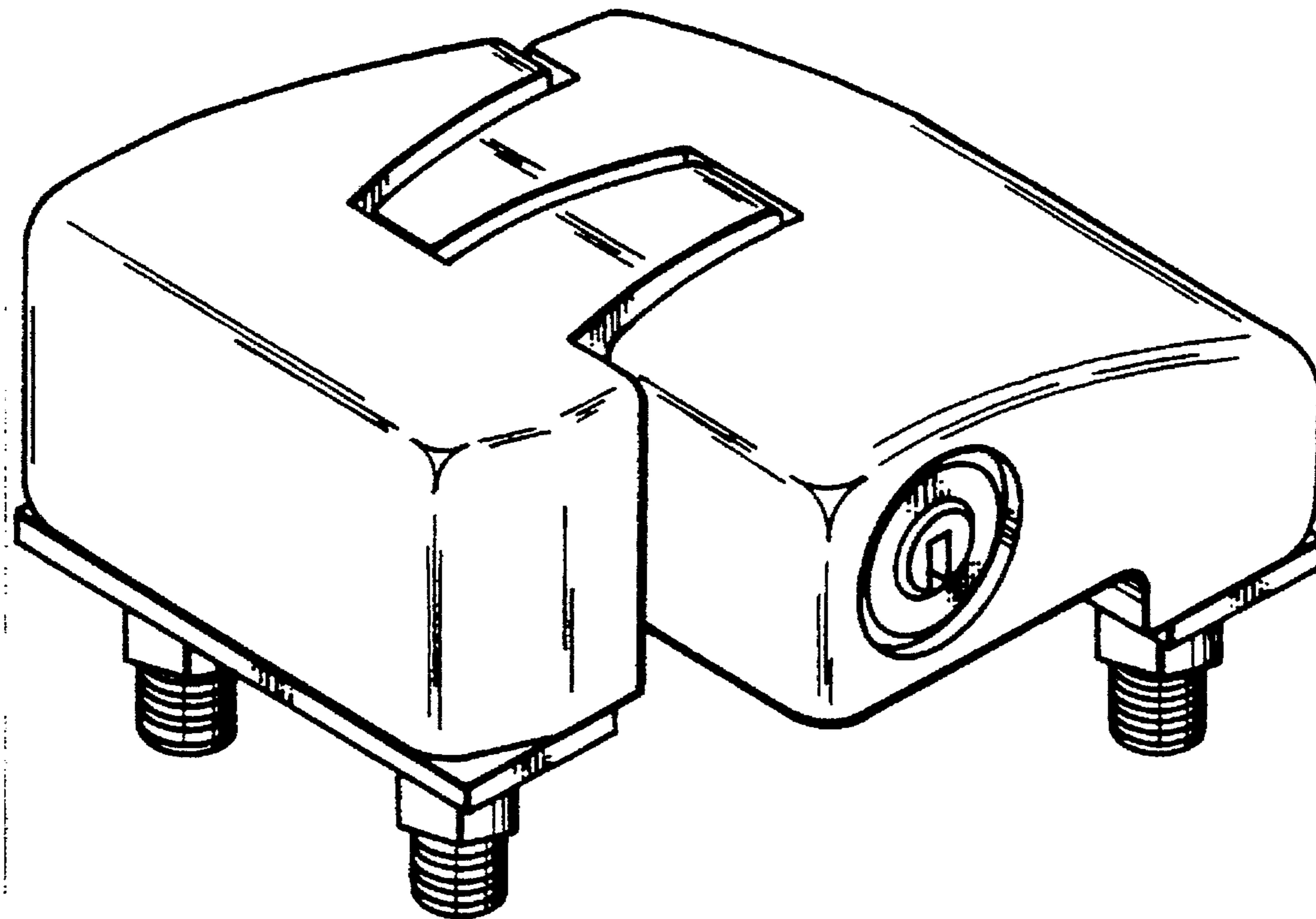


FIG. 1

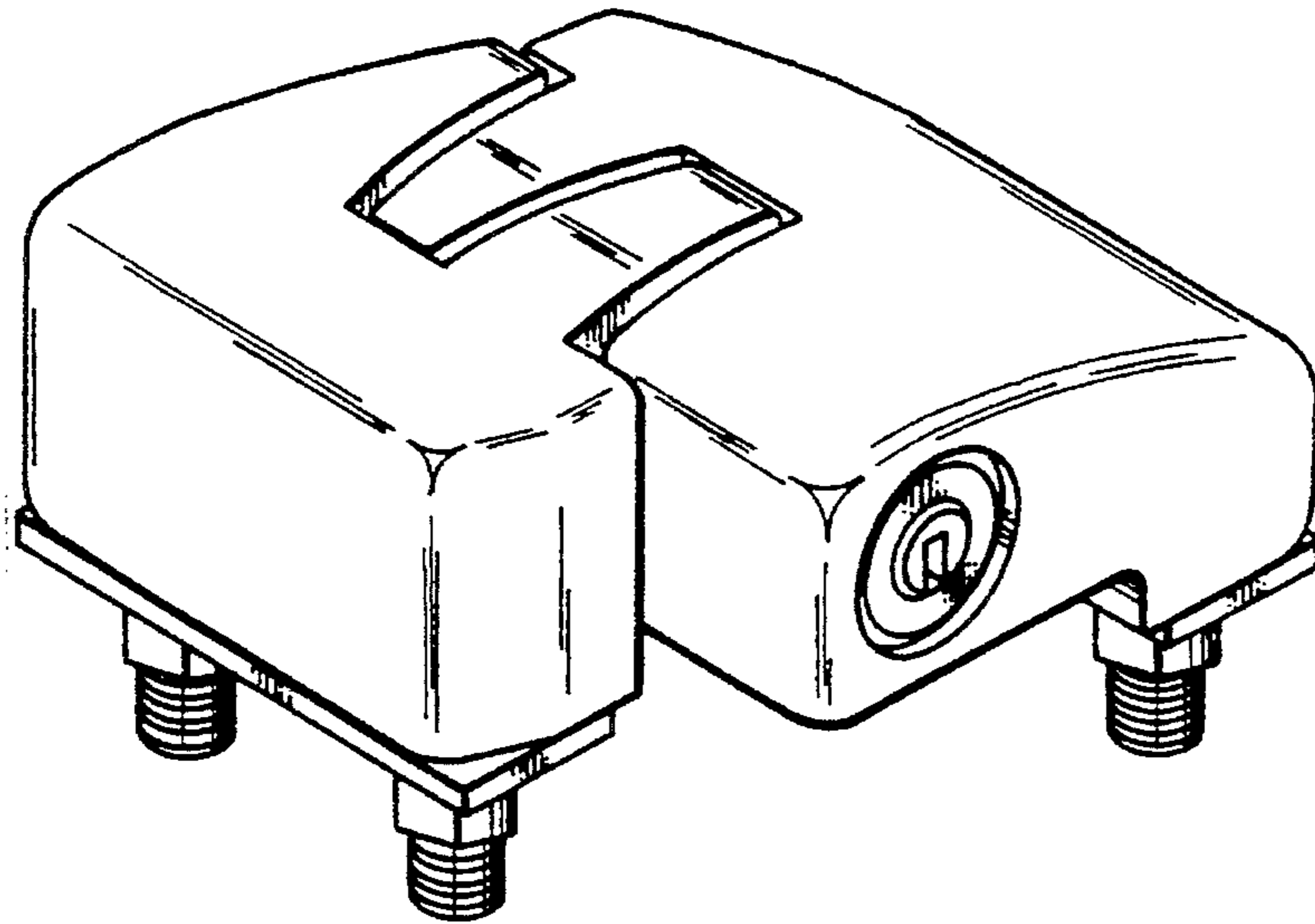


FIG. 2

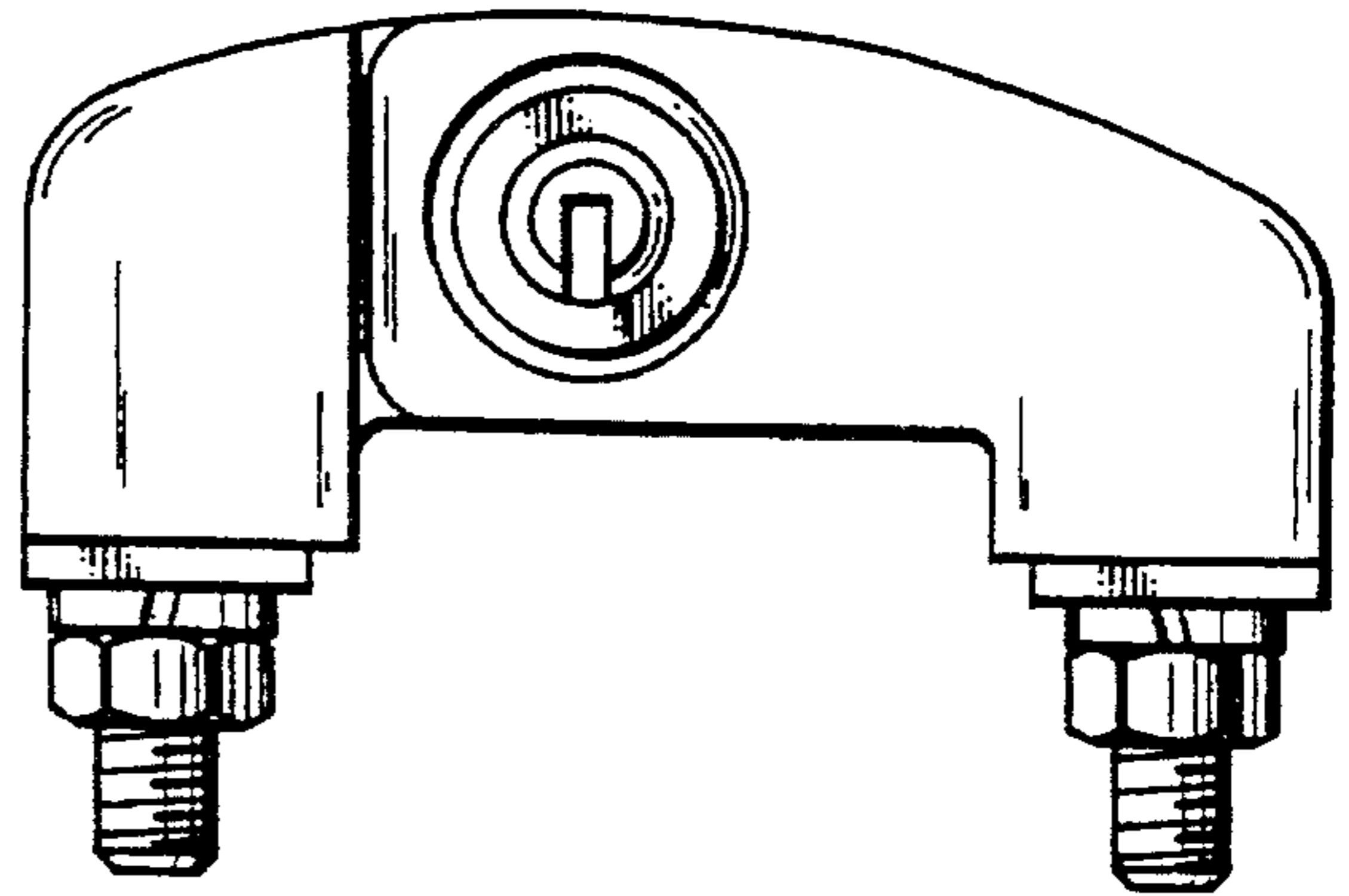


FIG. 3

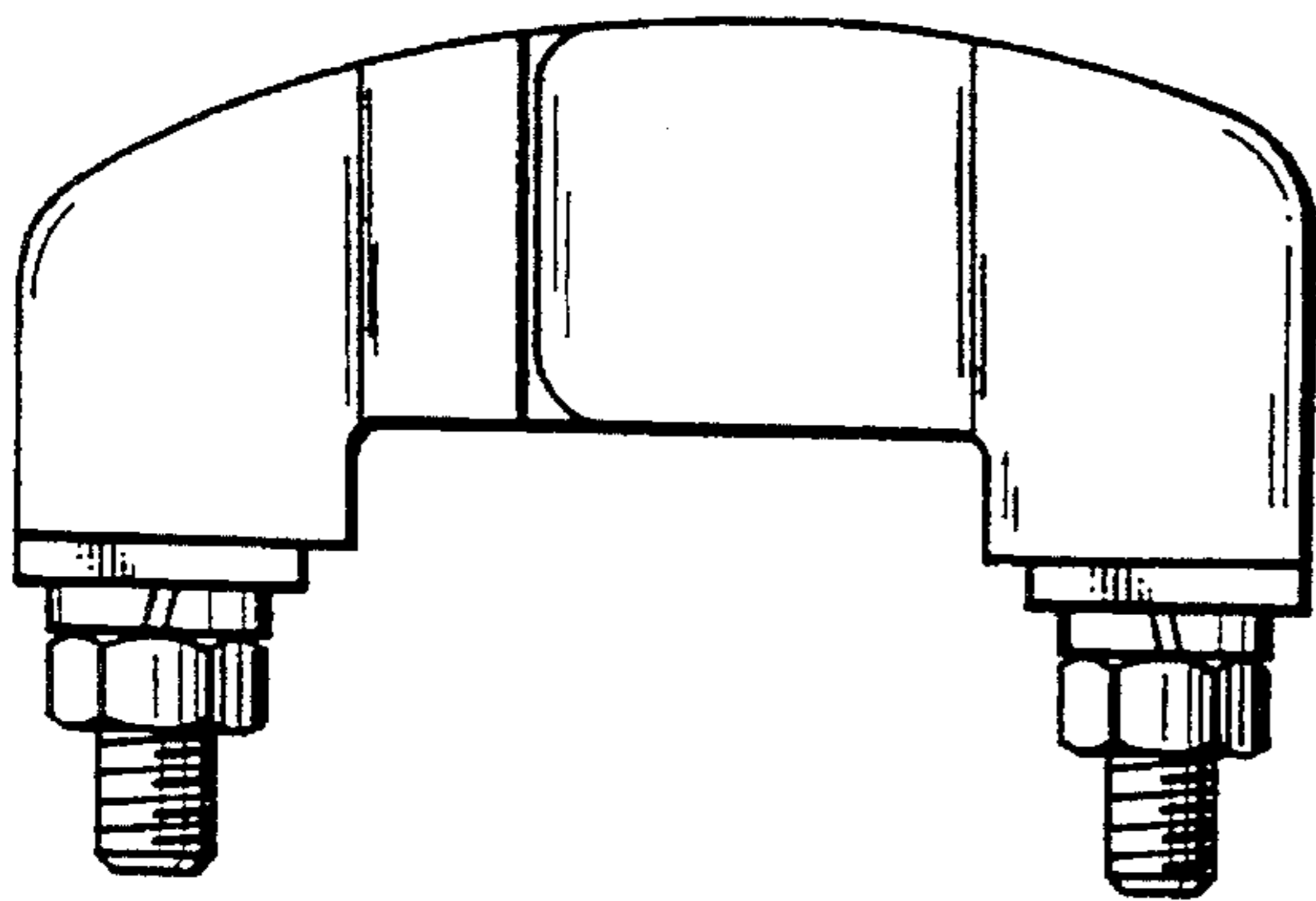


FIG. 4

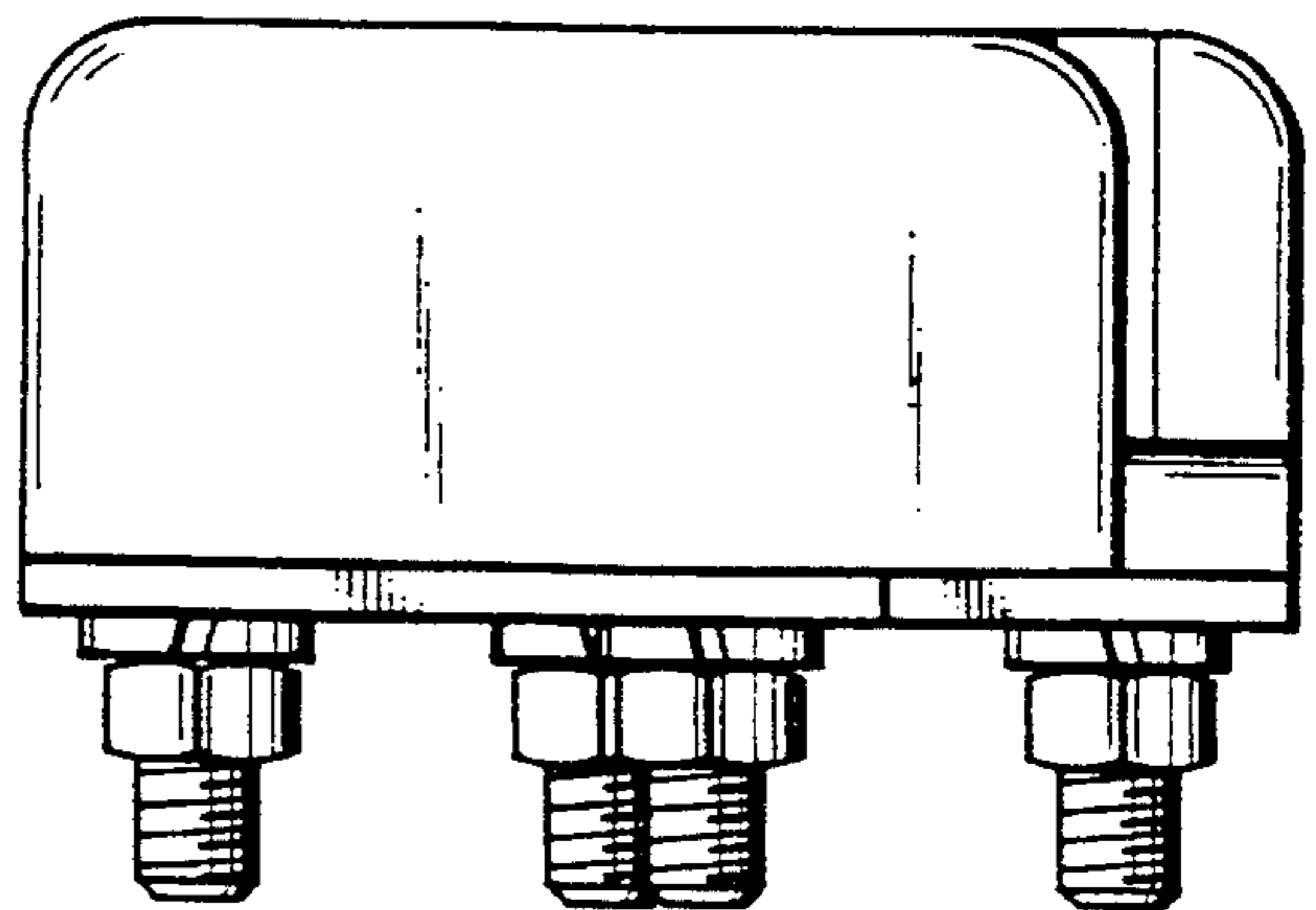


FIG. 5

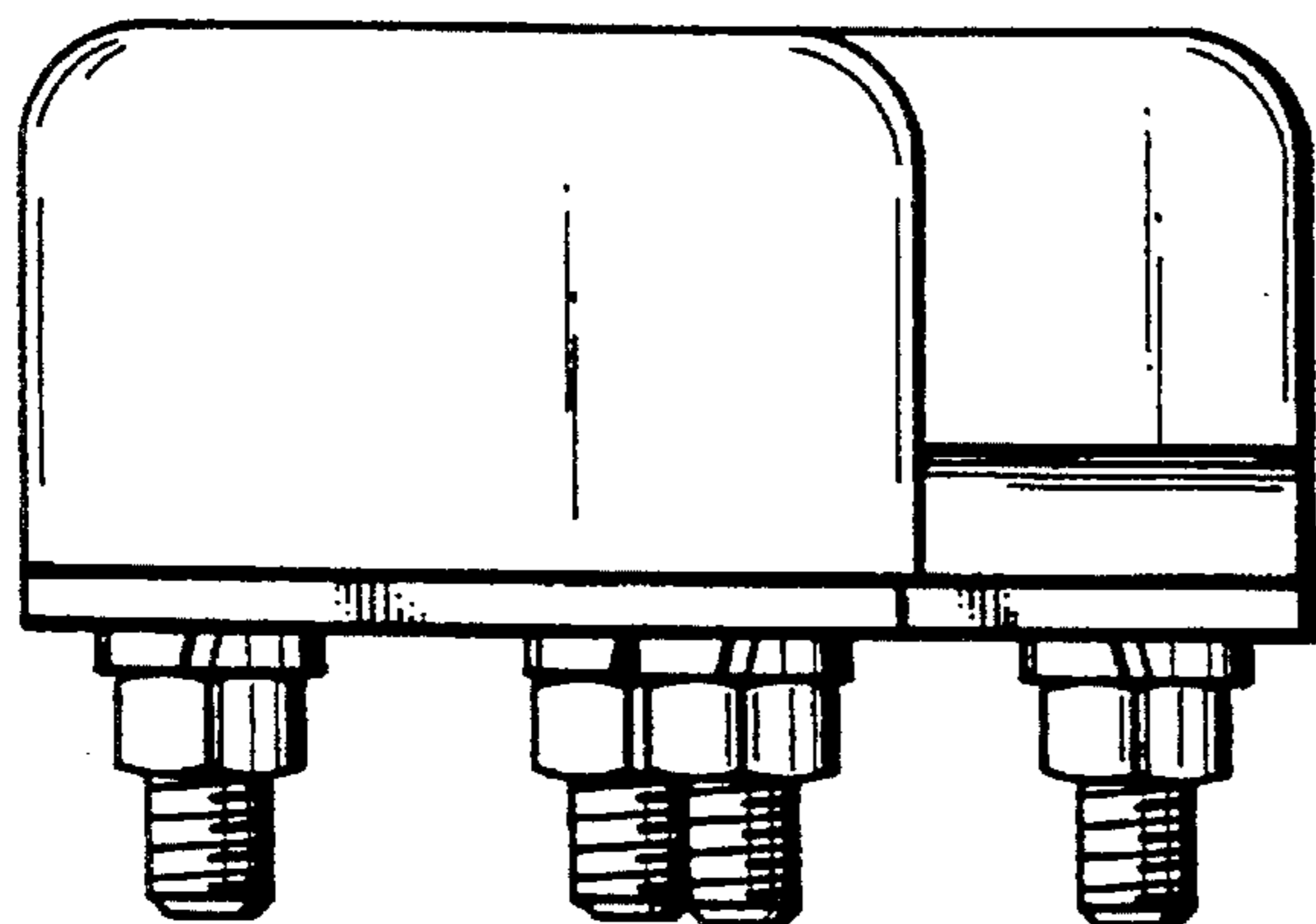


FIG. 6

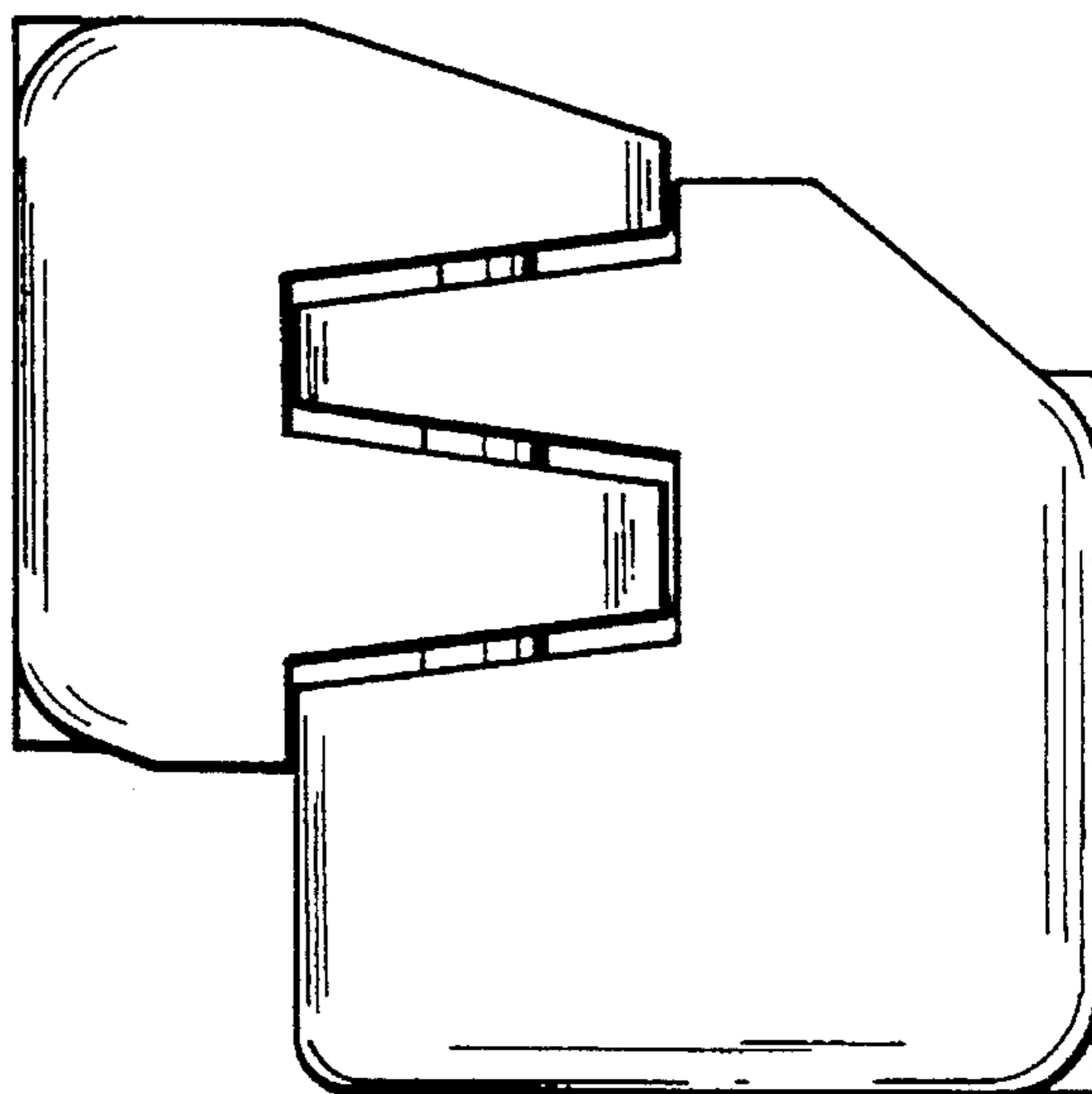


FIG. 7

