



US00D371502S

United States Patent [19]

[11] Patent Number: **Des. 371,502**

Morris

[45] Date of Patent: ****Jul. 9, 1996**

[54] **LATCH FOR SASH WINDOWS**

Primary Examiner—Brian N. Vinson
Attorney, Agent, or Firm—David P. Gordon

[75] Inventor: **Peter M. Morris**, Indooroopilly, Australia

[57] **CLAIM**

[73] Assignees: **Whitco Pty. Limited**, Queensland, Australia; **Peachtree Doors**, Gainsville, Ga.

The design for a latch for sash windows, as shown and described.

[**] Term: **14 Years**

DESCRIPTION

[21] Appl. No.: **25,813**

FIG. 1 is an exploded perspective view;

[22] Filed: **Jul. 12, 1994**

FIG. 2 is a top plan view with the lever depressed;

[52] U.S. Cl. **D8/331**

FIG. 3 is a front elevation view (rear view is mirror) with the lever depressed;

[58] Field of Search D8/330-331, 336-338; 292/DIG. 20, DIG. 30, DIG. 31, DIG. 35, DIG. 47, 194, 200, 236, 338, 66

FIG. 4 is a left end elevation view with the lever depressed;

FIG. 5 is a right end elevation view with the lever depressed;

[56] **References Cited**

U.S. PATENT DOCUMENTS

- D. 313,160 12/1990 Westphal et al. D8/343
- D. 357,396 4/1995 Ziemer et al. D8/331
- 4,923,230 5/1990 Simpson 292/DIG. 47

FIG. 6 is a bottom plan view with the lever depressed;

FIG. 7 is a top plan view with the lever raised;

FIG. 8 is a front side elevation view with the lever raised;

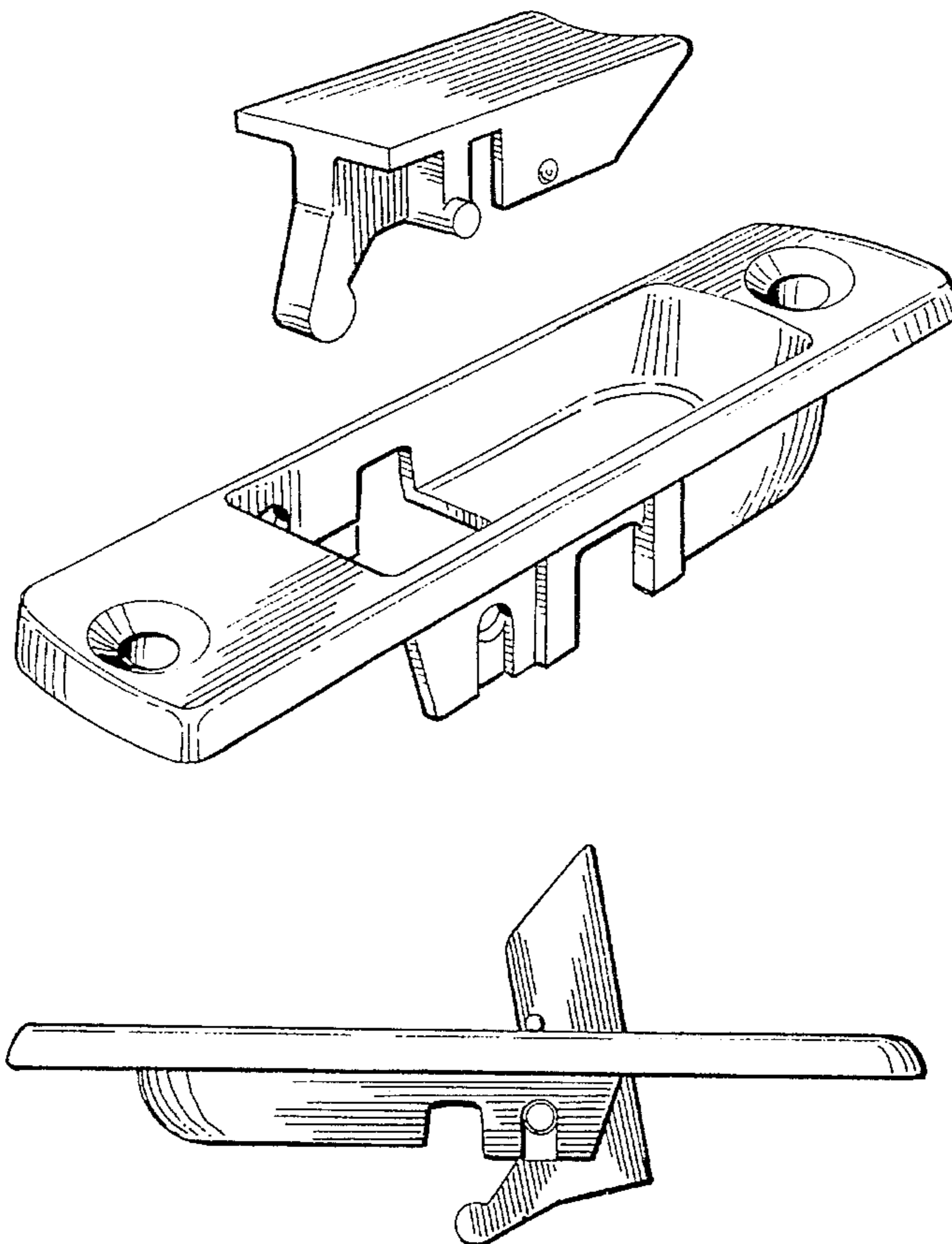
FIG. 9 is a left end elevation view with the lever raised; and,

FIG. 10 is a right end elevation view with the lever raised.

OTHER PUBLICATIONS

Corbin Locks and Builders Hardware Catalogue No. 28M (1943) p. 114, Sash Fastener #1408.
Eberhard Catalogue No. 103 (1986) p. 98, FlushOMounted Paddle Handles.

1 Claim, 2 Drawing Sheets



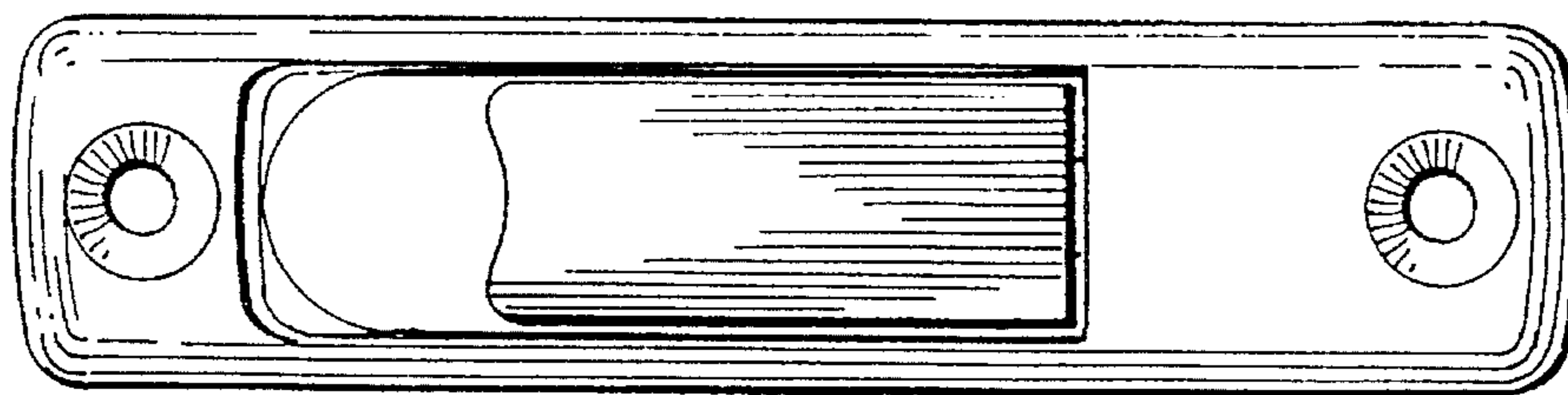
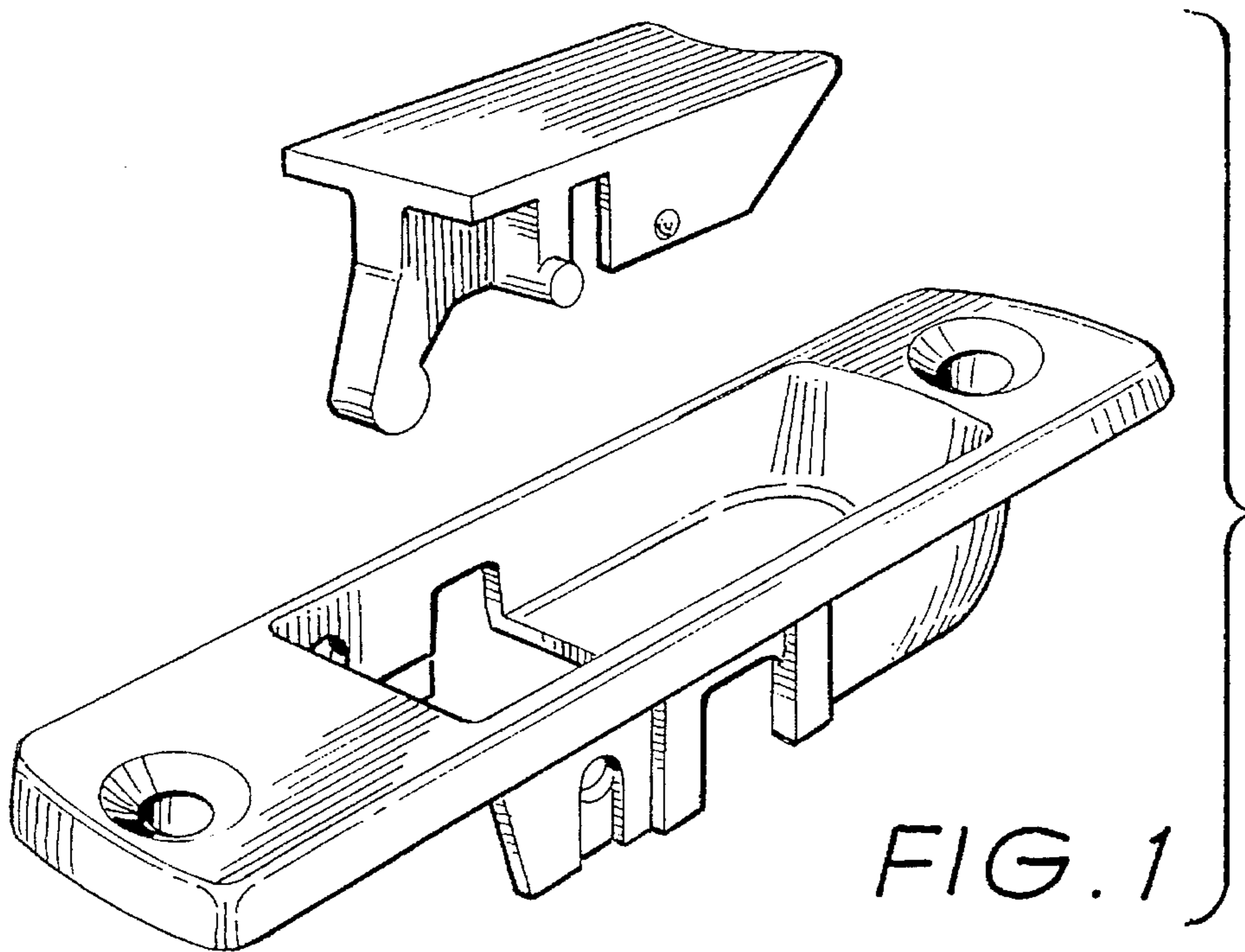
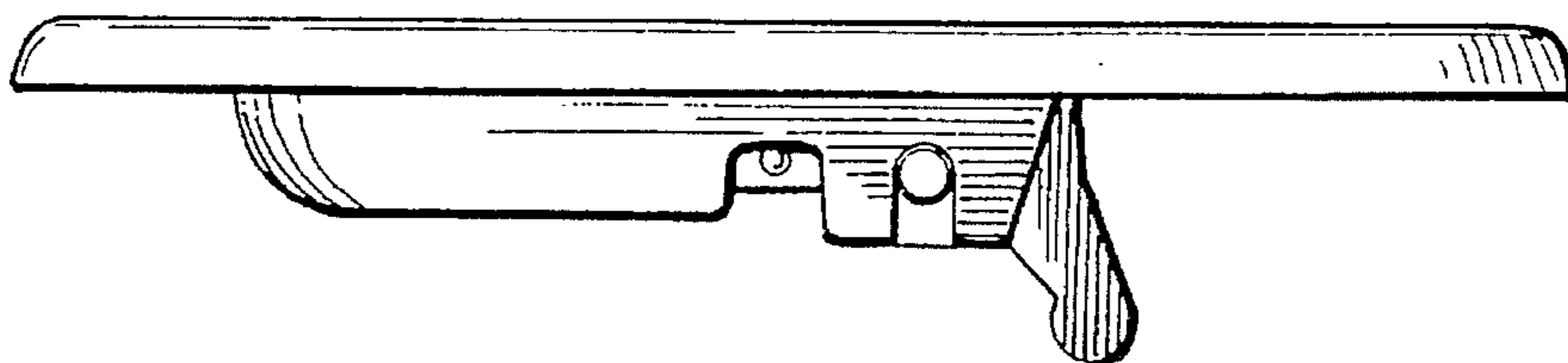


FIG. 2

FIG. 3



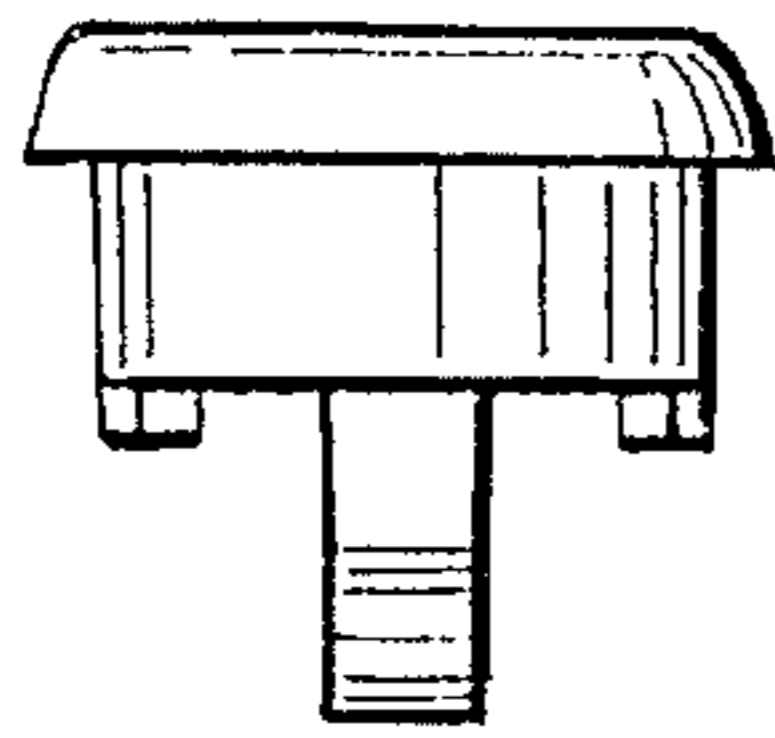


FIG. 4

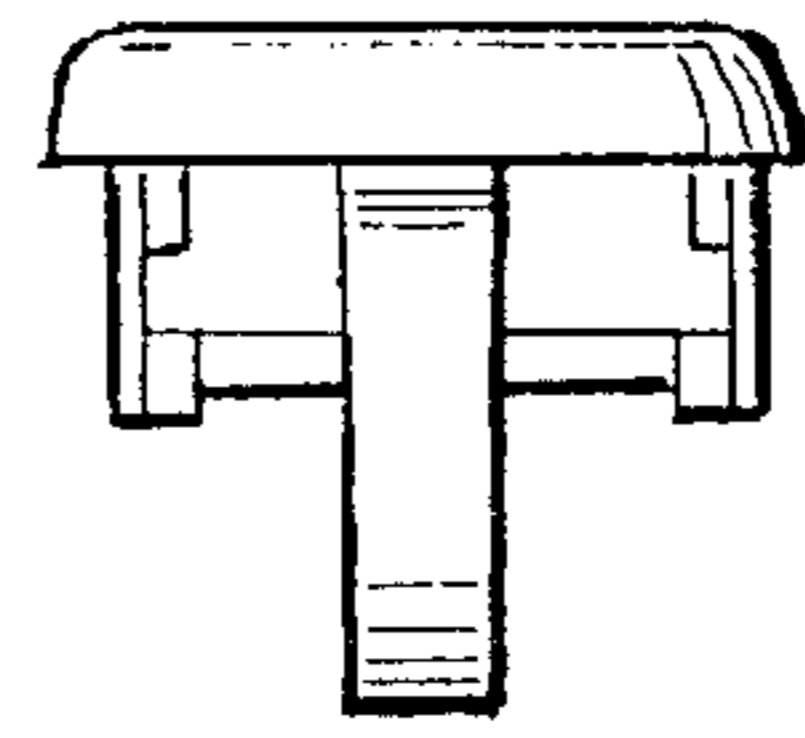


FIG. 5

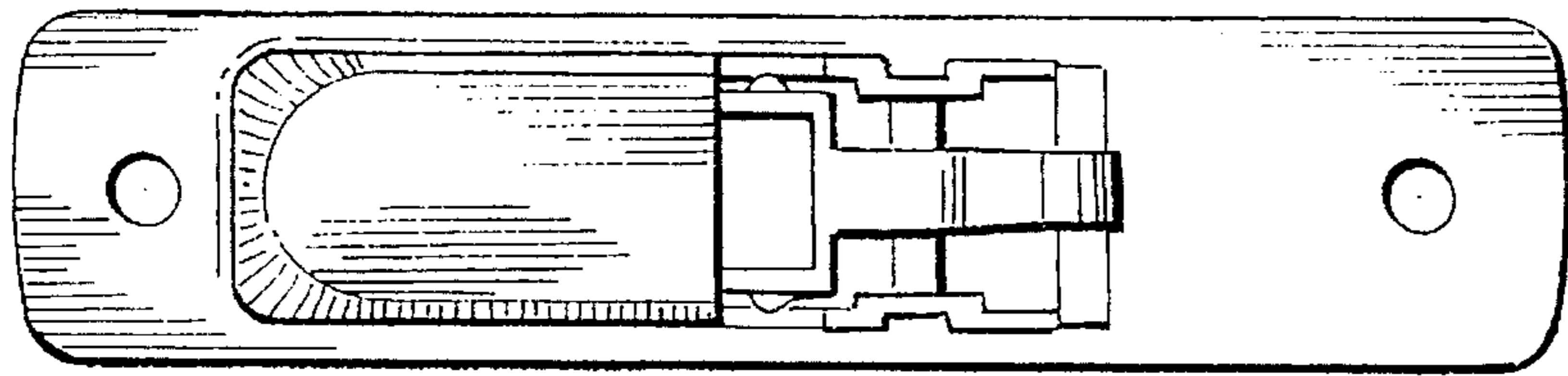


FIG. 6

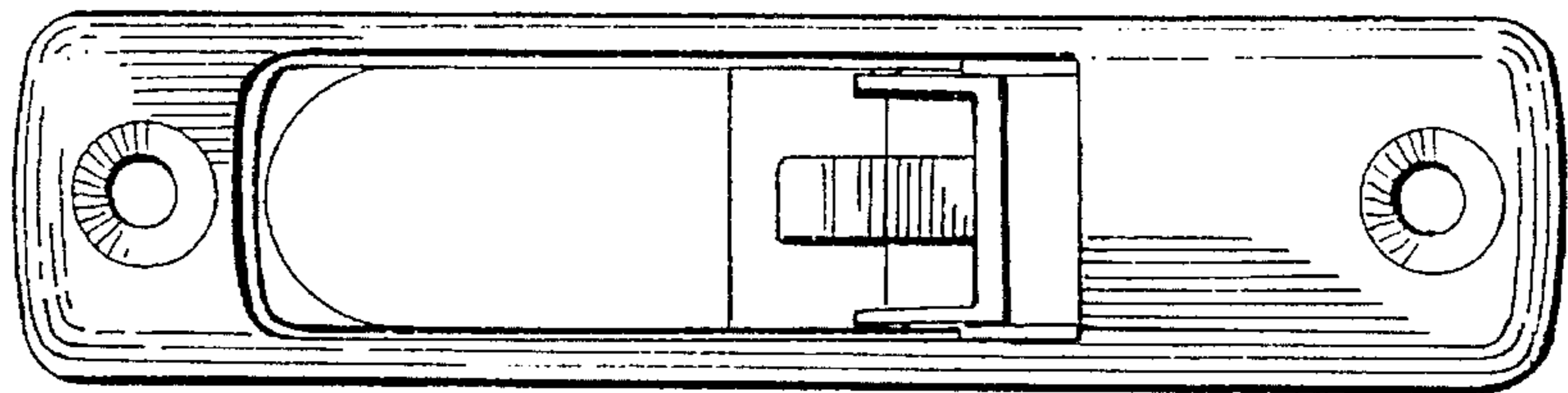


FIG. 7

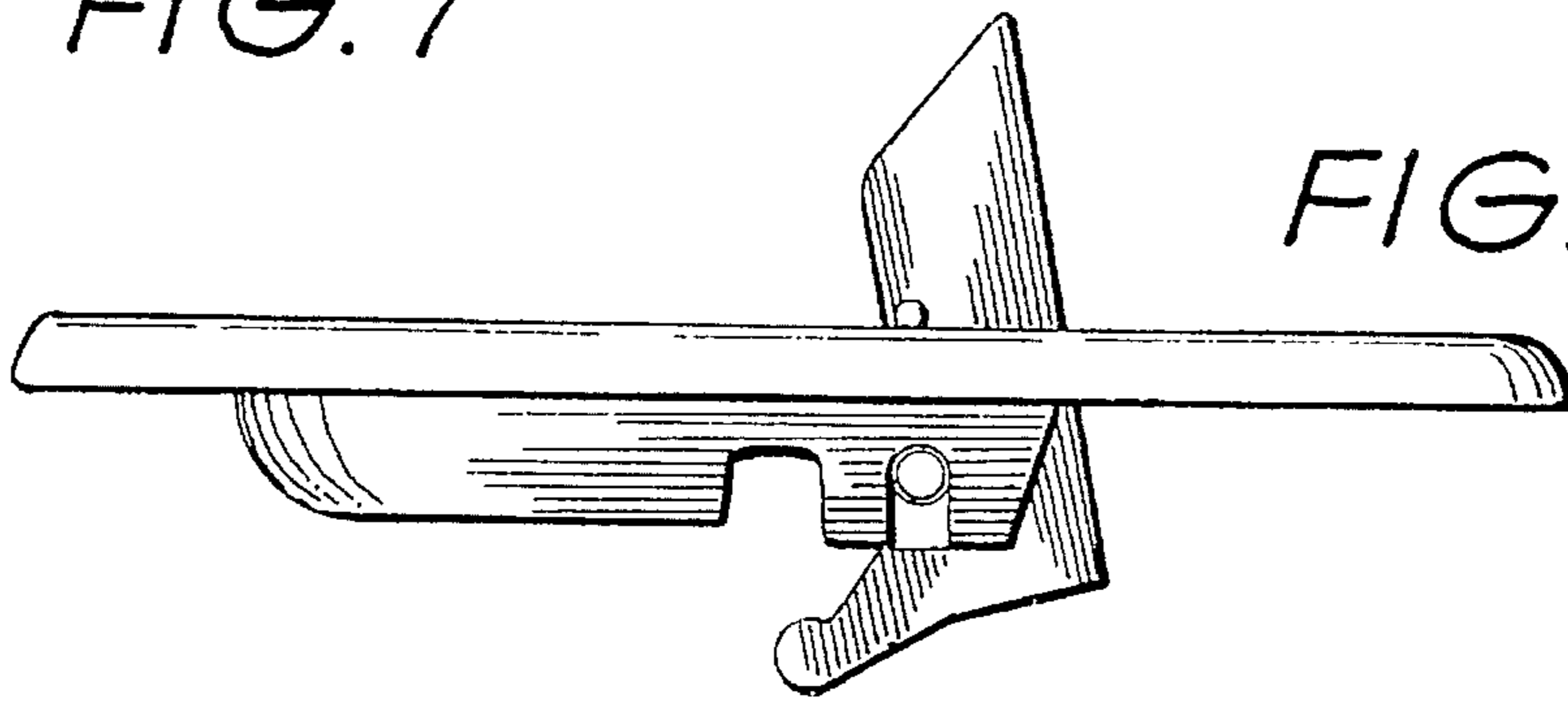


FIG. 8

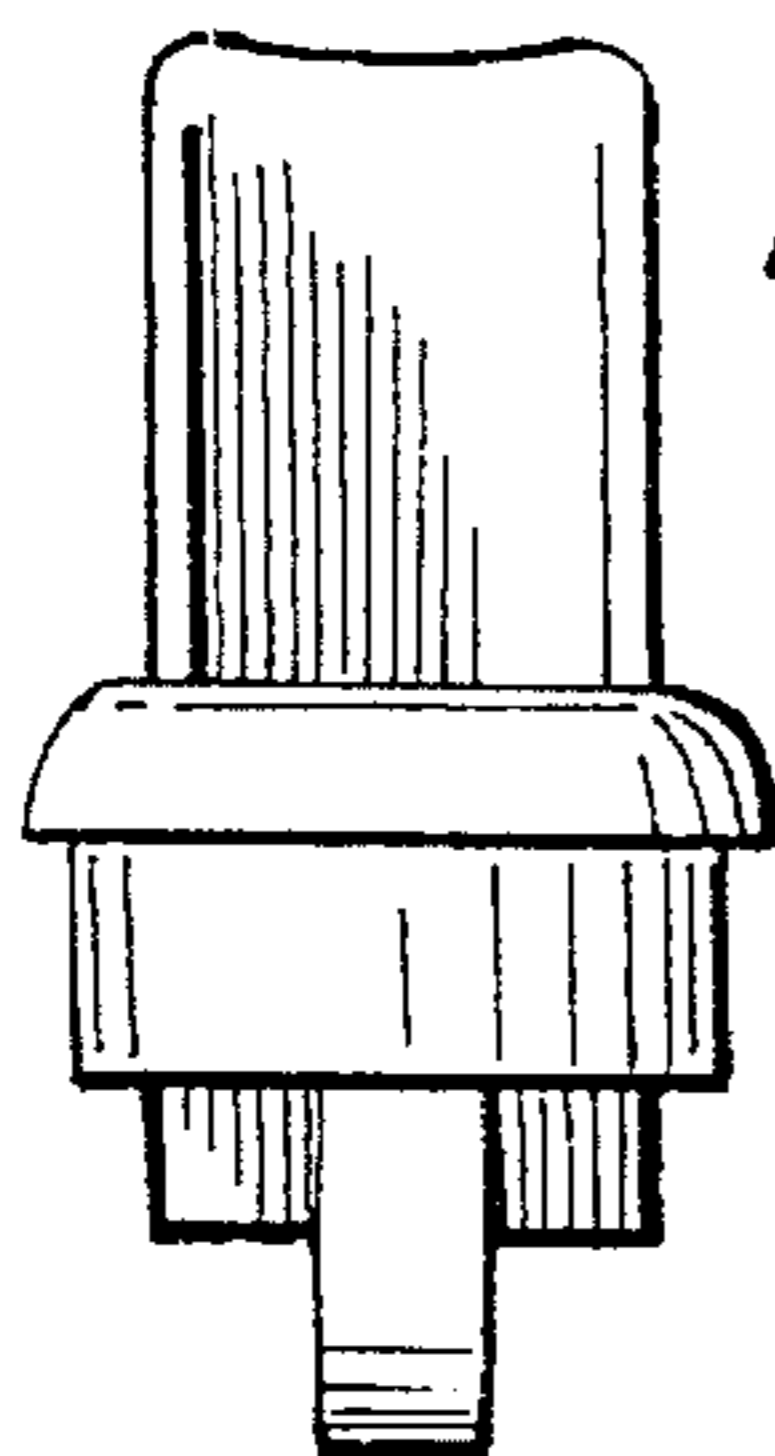


FIG. 9

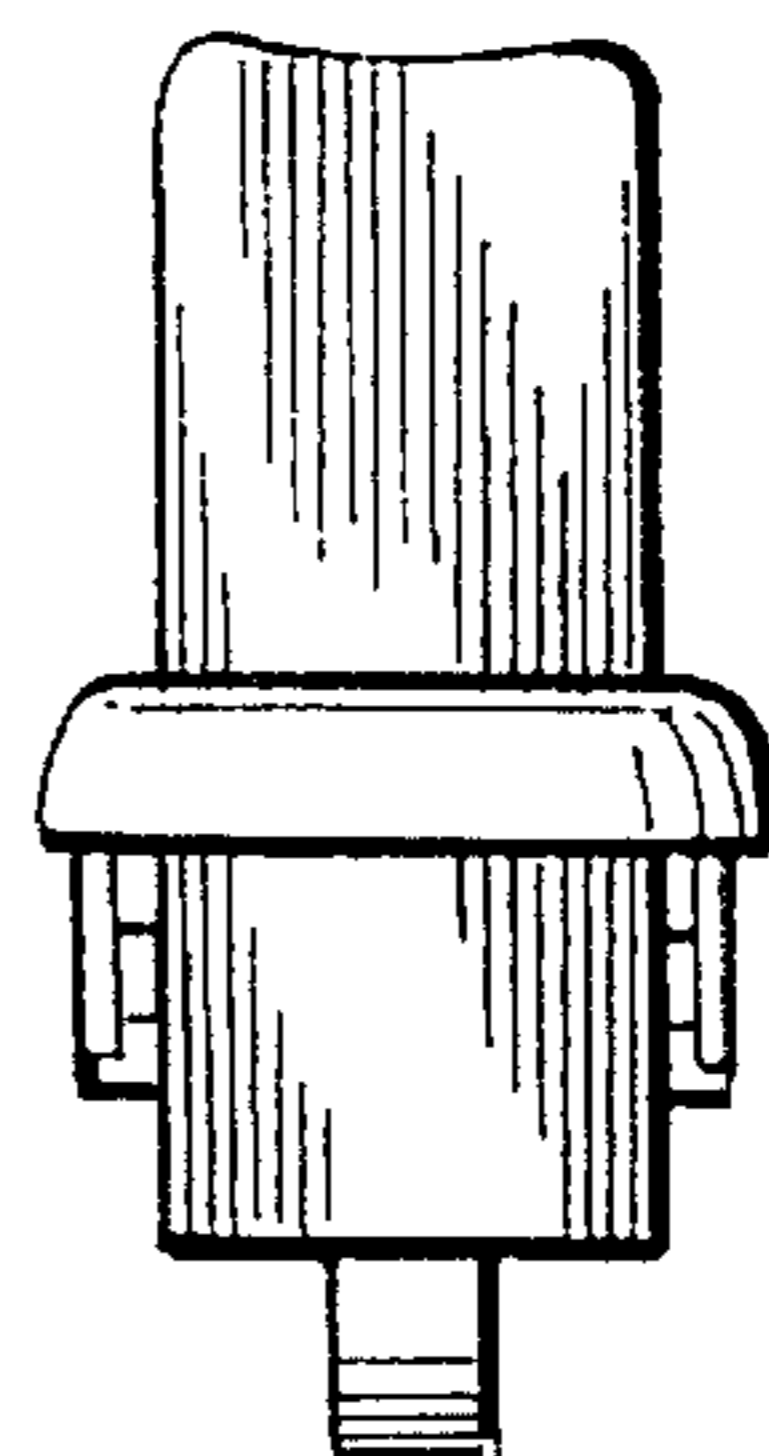


FIG. 10