



US00D371497S

United States Patent [19]
Cottone

[11] **Patent Number:** **Des. 371,497**
[45] **Date of Patent:** ****Jul. 9, 1996**

[54] **CLAMP FOR COMPUTER PAPER TAB STRIPPER**

[76] Inventor: **James F. Cottone**, 2001 Jefferson Davis Hwy., Arlington, Va. 22202

[**] Term: **14 Years**

[21] Appl. No.: **21,388**

[22] Filed: **Apr. 15, 1994**

[52] **U.S. Cl.** **D8/72**

[58] **Field of Search** D8/71, 72, 74;
D15/140, 138; 72/311, 457; 269/90, 95,
114, 78, 903, 133, 71; D18/34; D19/72

[56] **References Cited**

U.S. PATENT DOCUMENTS

D. 300,748	4/1989	Jarman et al.	D8/72
D. 318,282	7/1991	Kern	D8/72
D. 328,845	8/1992	Yoder	D8/72
D. 343,178	1/1994	Galpchian et al.	D15/140

Primary Examiner—Alan P. Douglas
Assistant Examiner—Jeffrey H. Musgrove
Attorney, Agent, or Firm—James F. Cottone

[57] **CLAIM**

The ornamental design for a clamp for computer paper tab stripper, as shown and described.

DESCRIPTION

FIG. 1 is a left front perspective view of a clamp for

computer paper tab stripper showing a first form of my new design;

FIG. 2 is a side elevation taken from the right of FIG. 1;

FIG. 3 is a front elevational view;

FIG. 4 is a right side elevation;

FIG. 5 is a top plan view;

FIG. 6 is a rear elevational view;

FIG. 7 is a bottom plan view;

FIG. 8 is a left front perspective view of a clamp for computer paper tab stripper showing another form of my new design;

FIG. 9 is a side elevation taken from the right of FIG. 8;

FIG. 10 is a front elevational view thereof;

FIG. 11 is a right side elevation thereof;

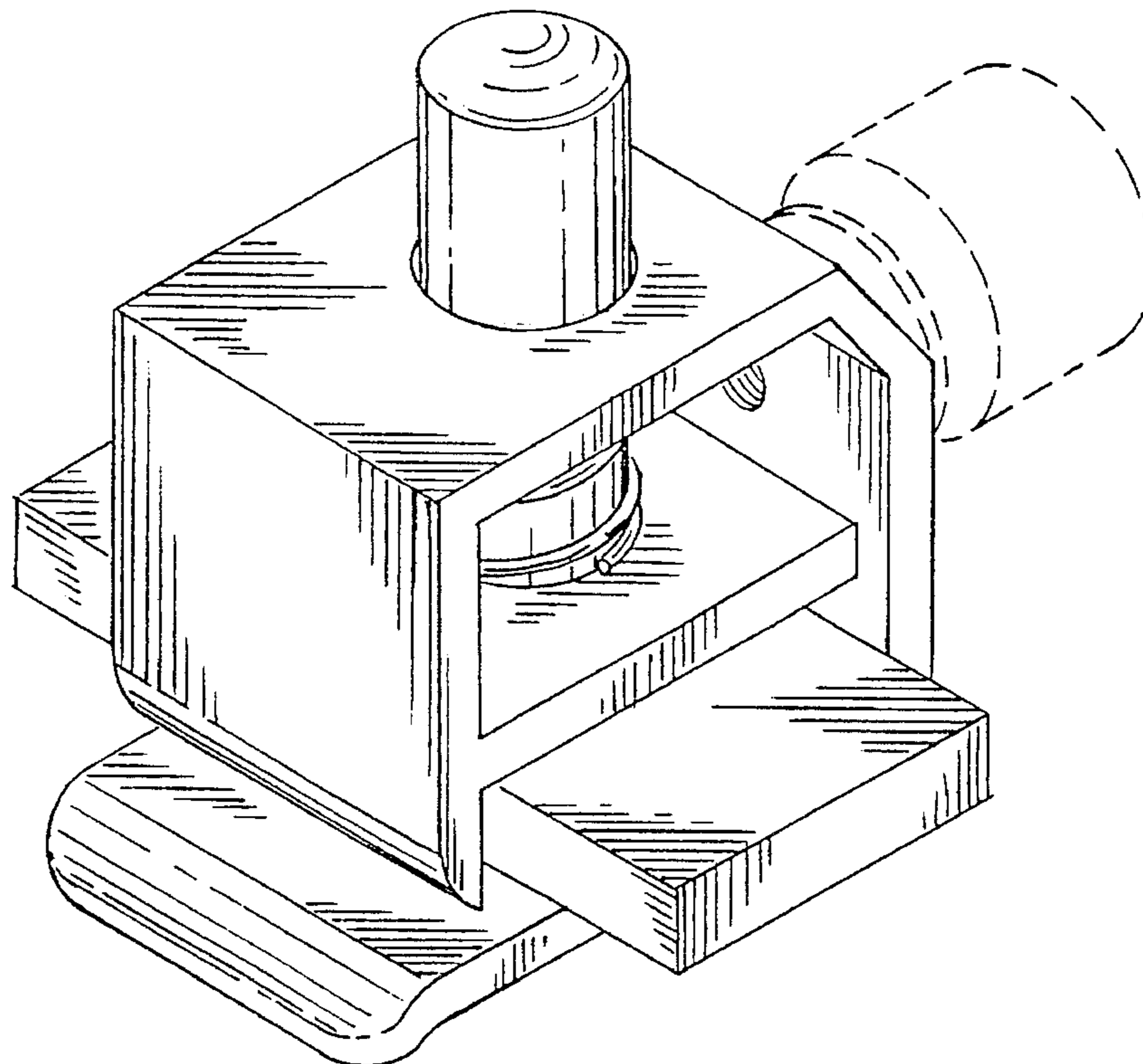
FIG. 12 is a top plan view thereof;

FIG. 13 is a rear elevational view thereof; and,

FIG. 14 is a bottom plan view thereof.

The broken line showing of a thumbscrew in FIGS. 1 and 8 is for illustrative purposes only and forms no part of the claimed design.

1 Claim, 2 Drawing Sheets



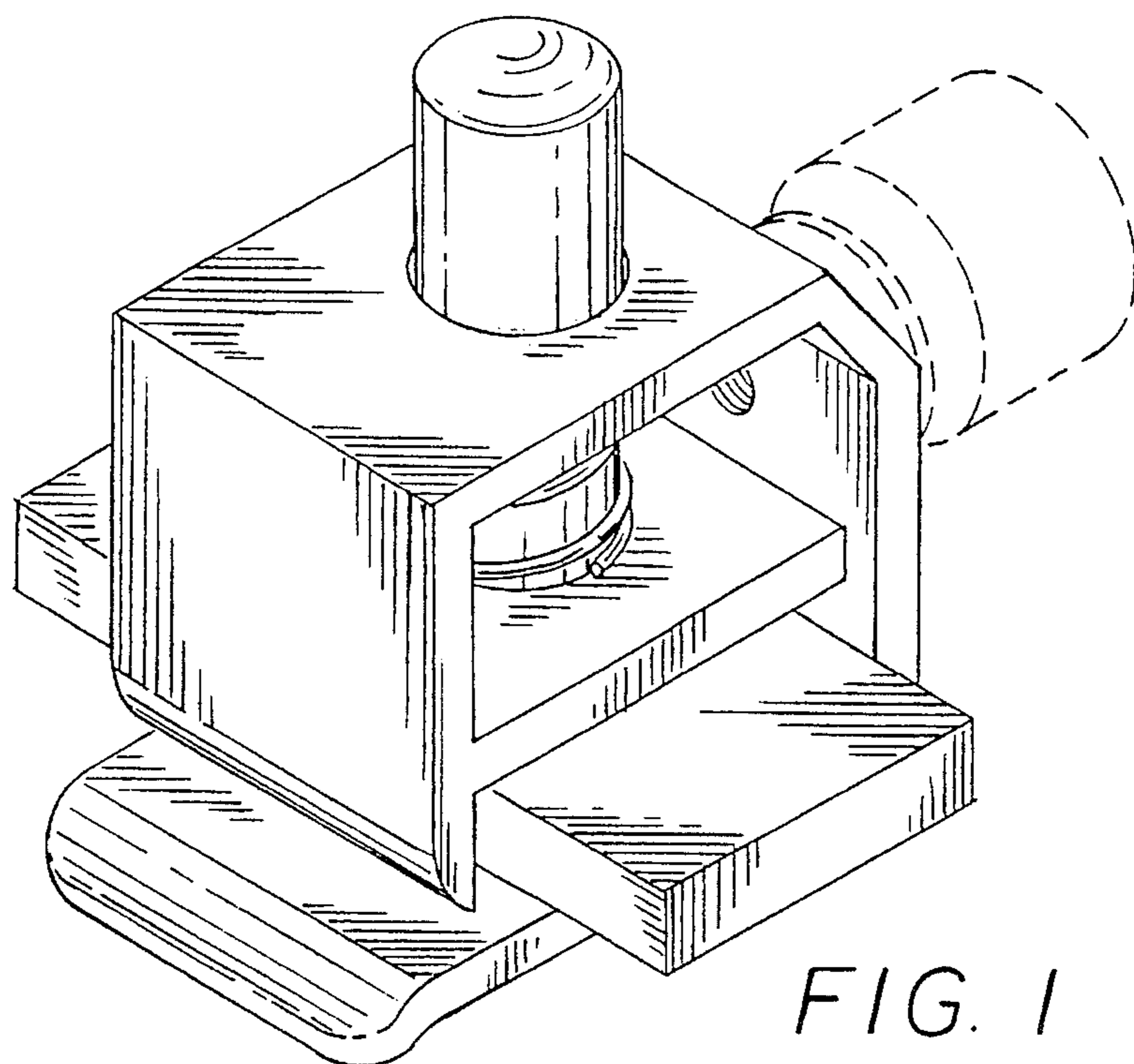


FIG. 1

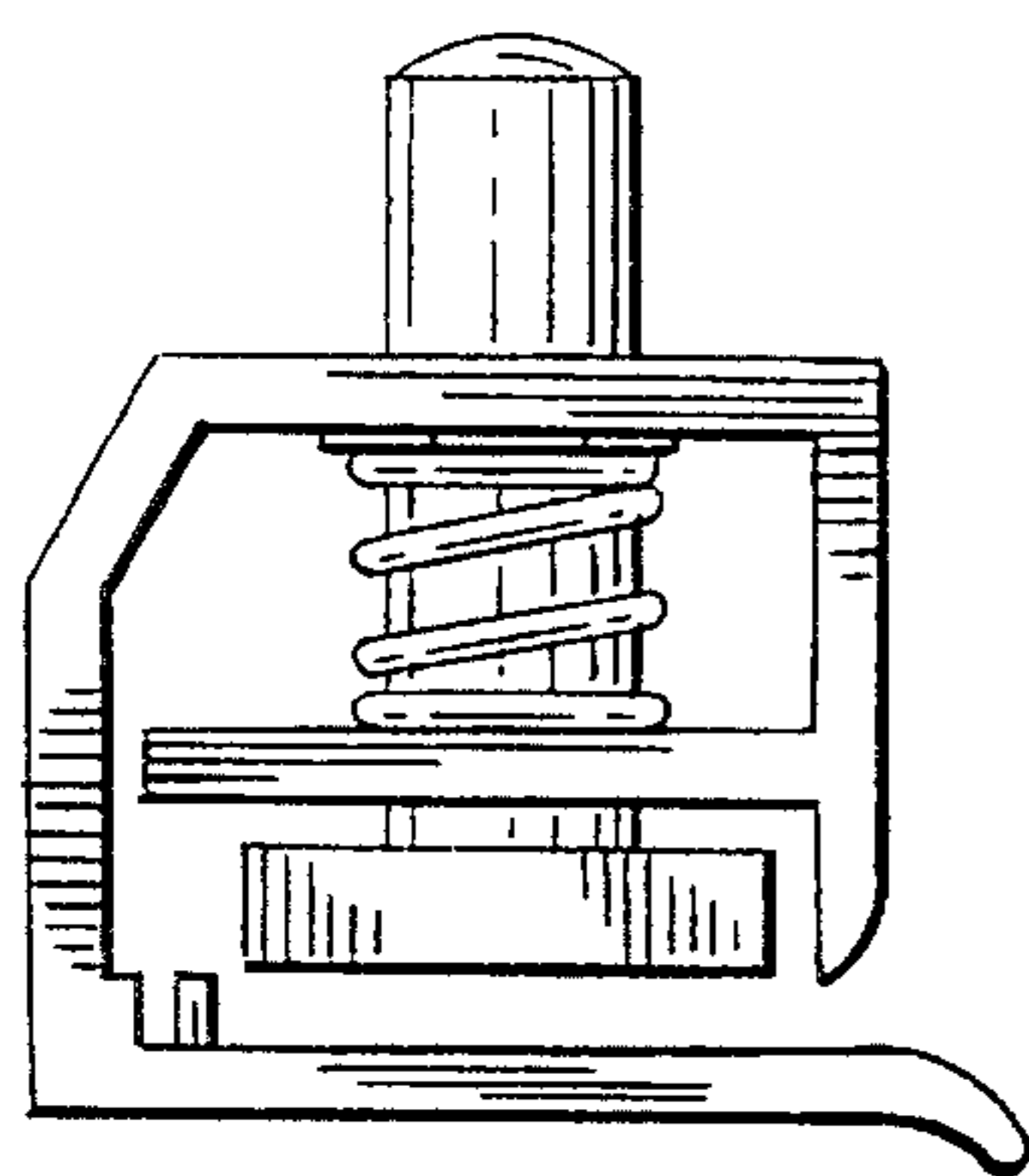


FIG. 2

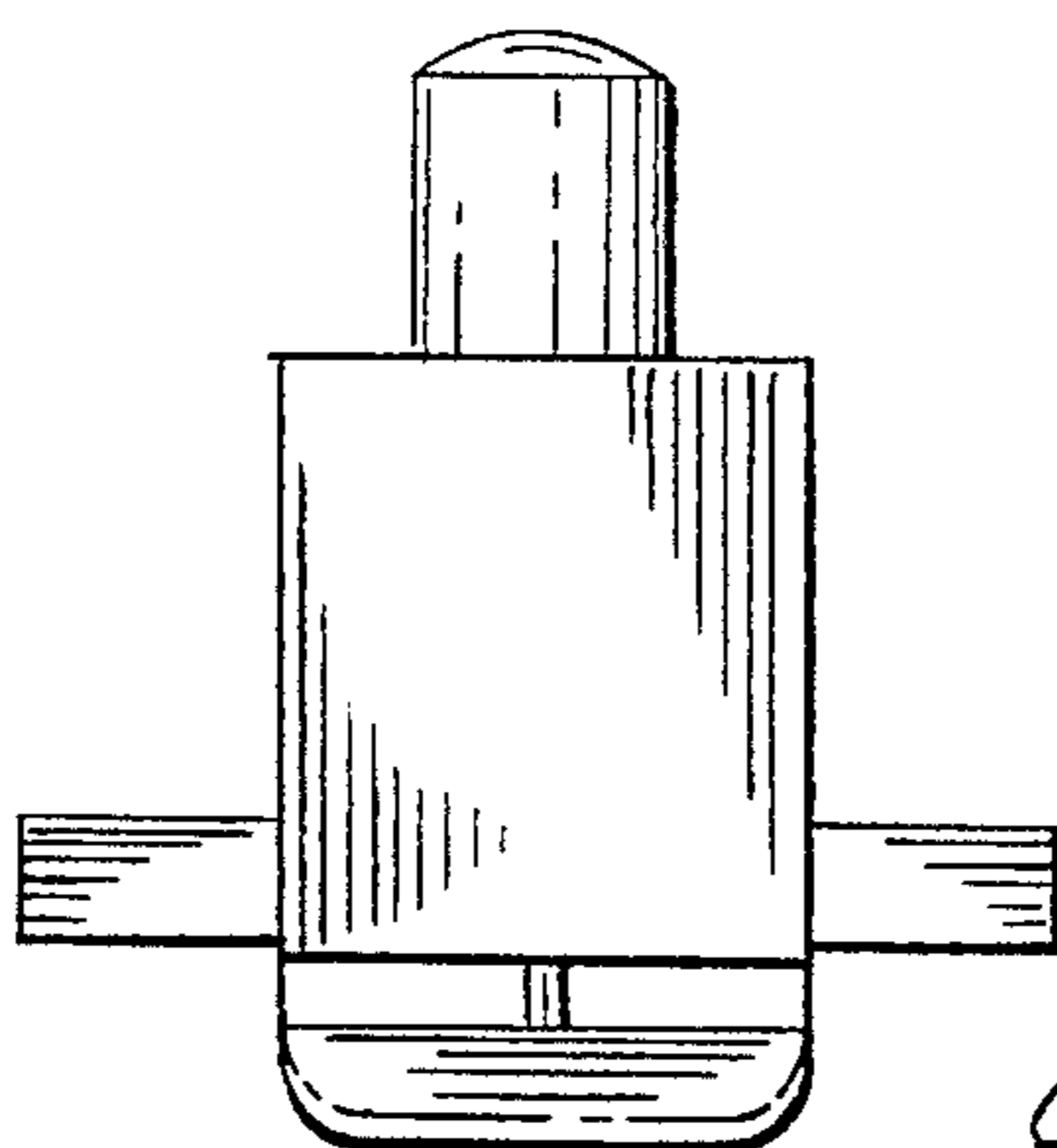


FIG. 3

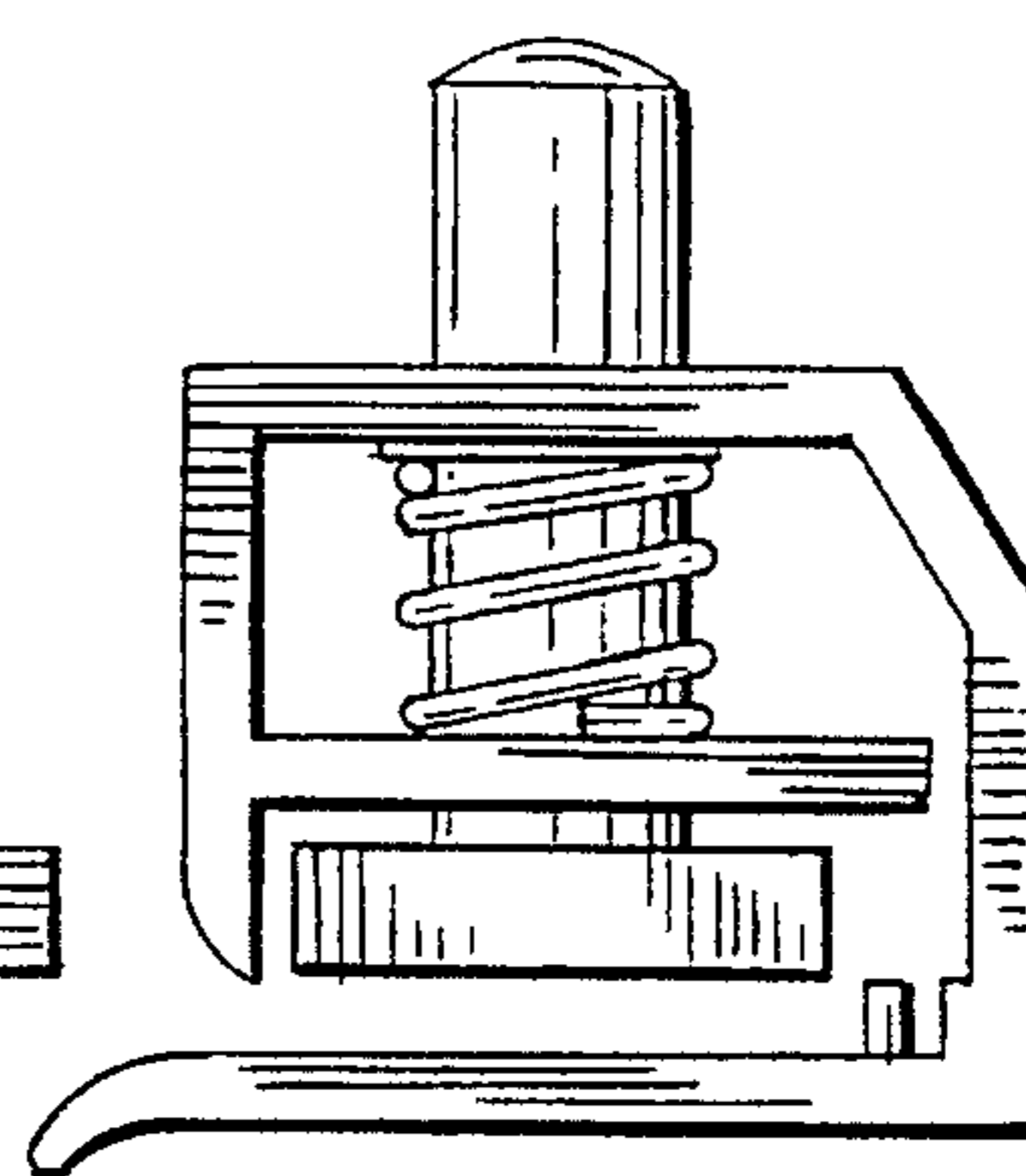


FIG. 4

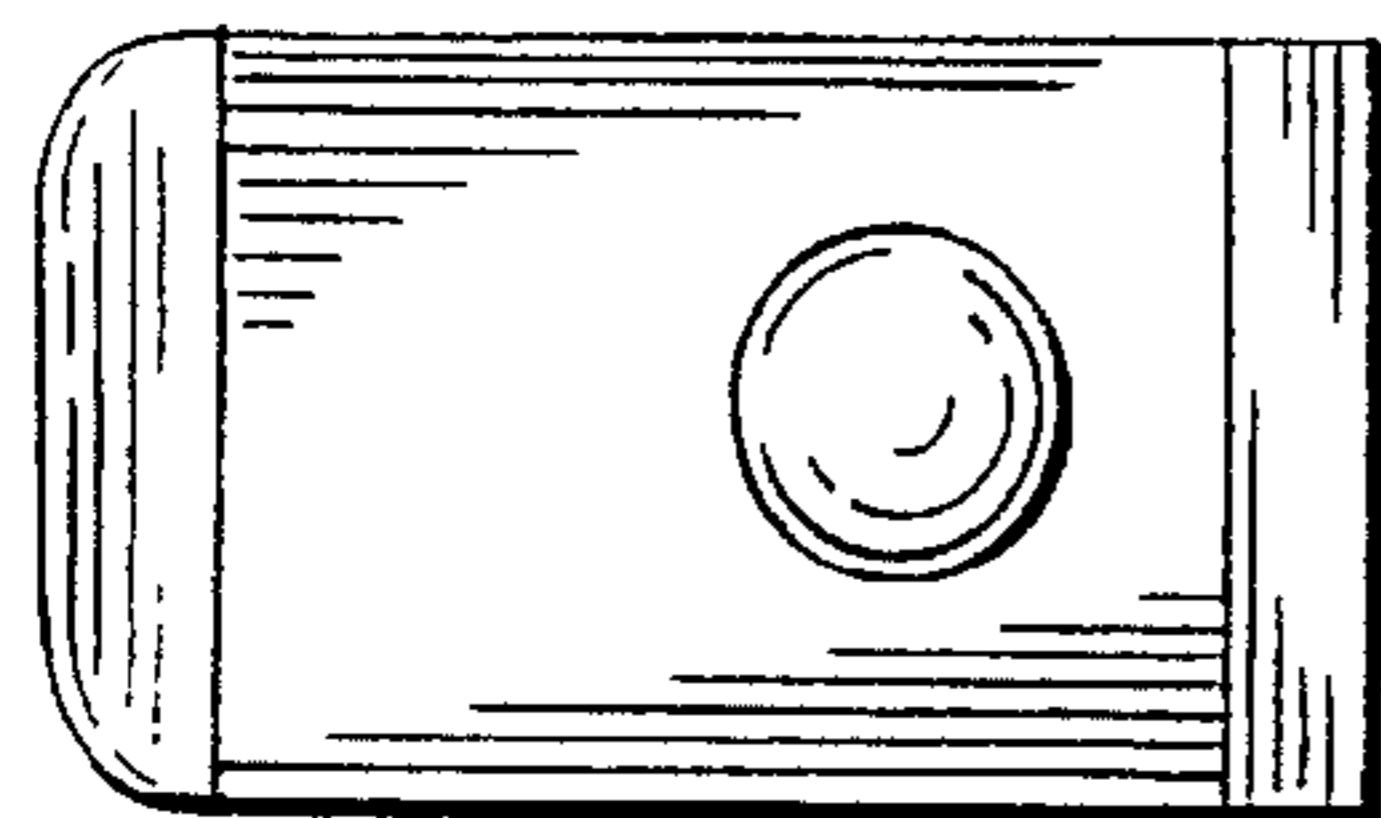


FIG. 5

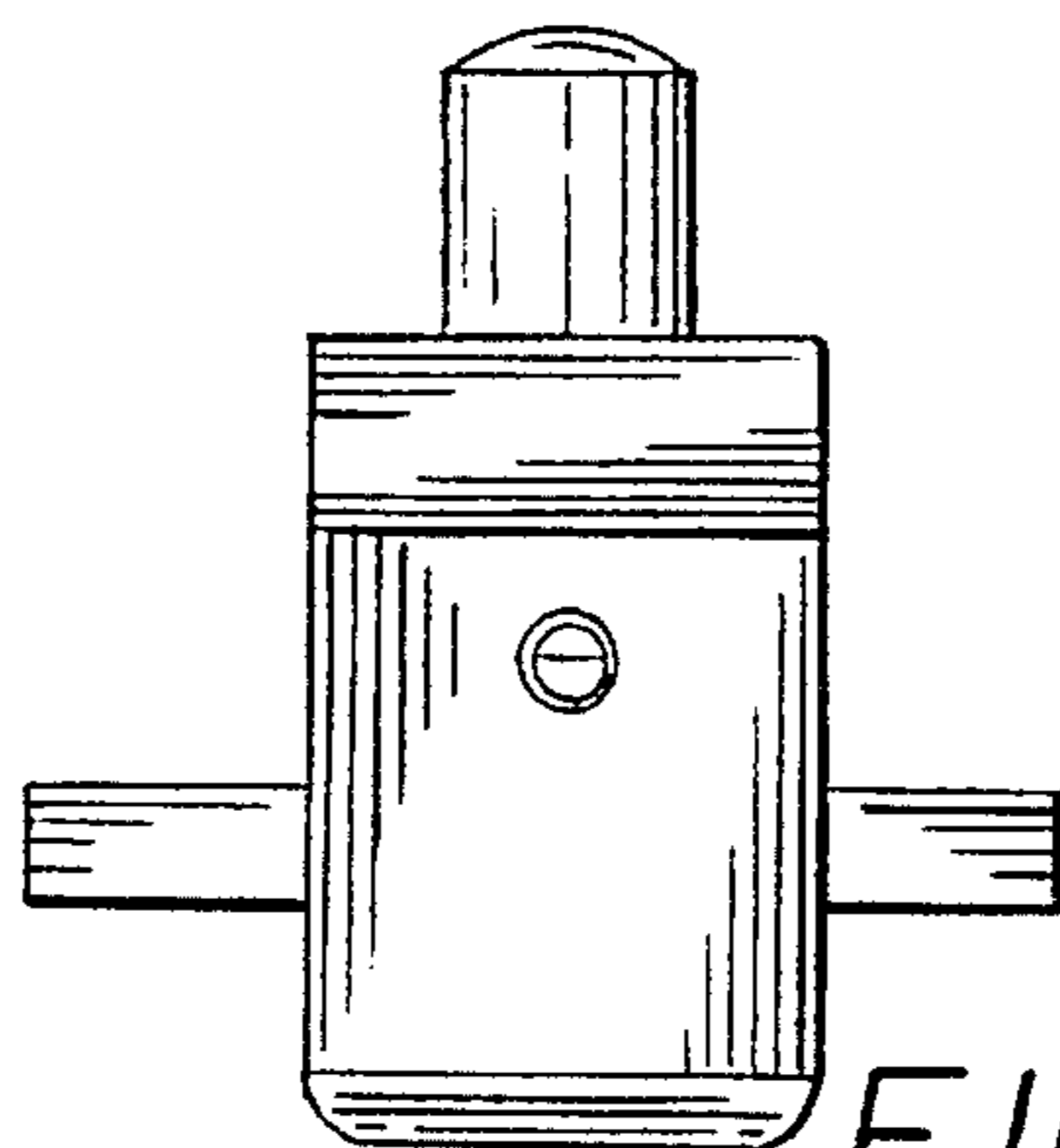


FIG. 6

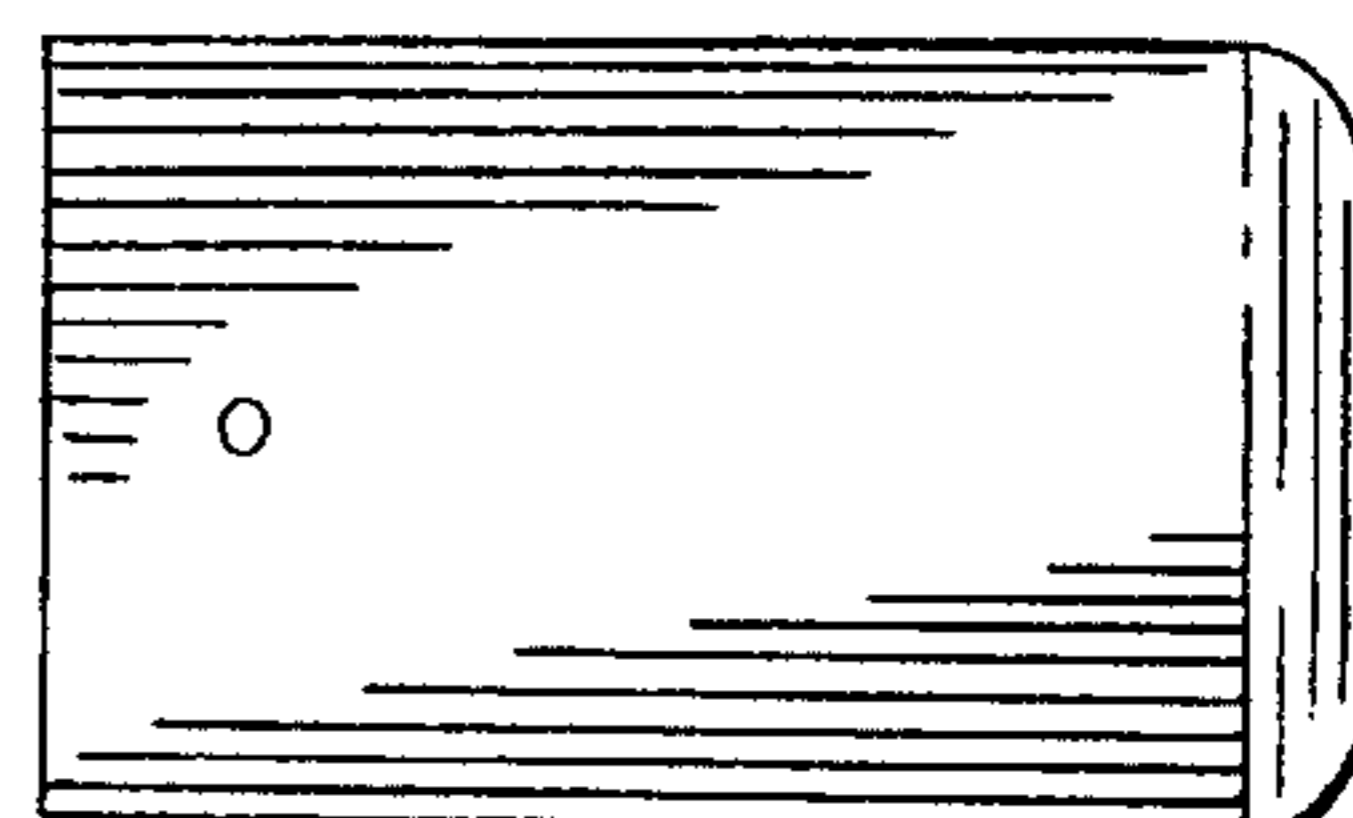


FIG. 7

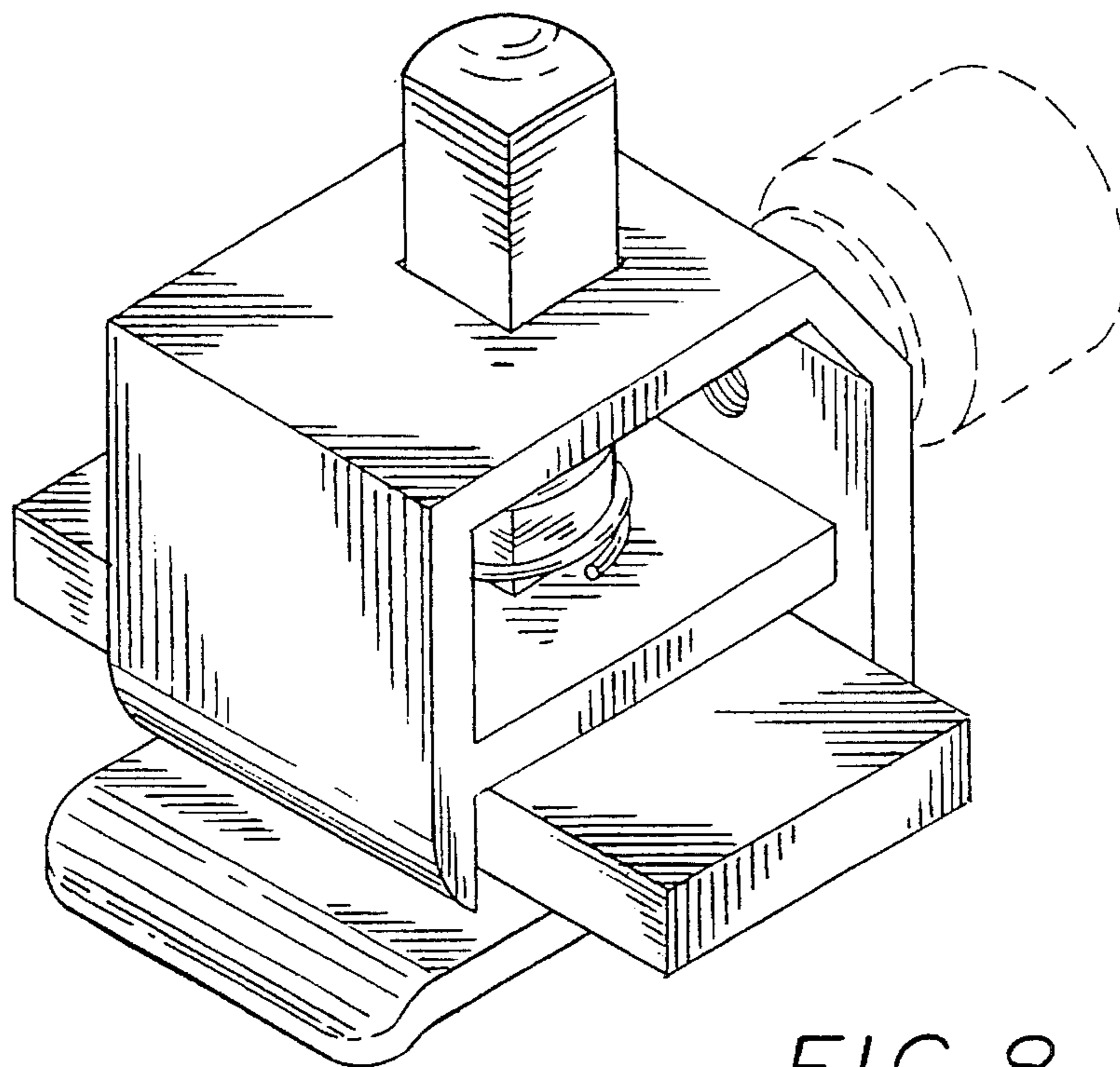


FIG. 8

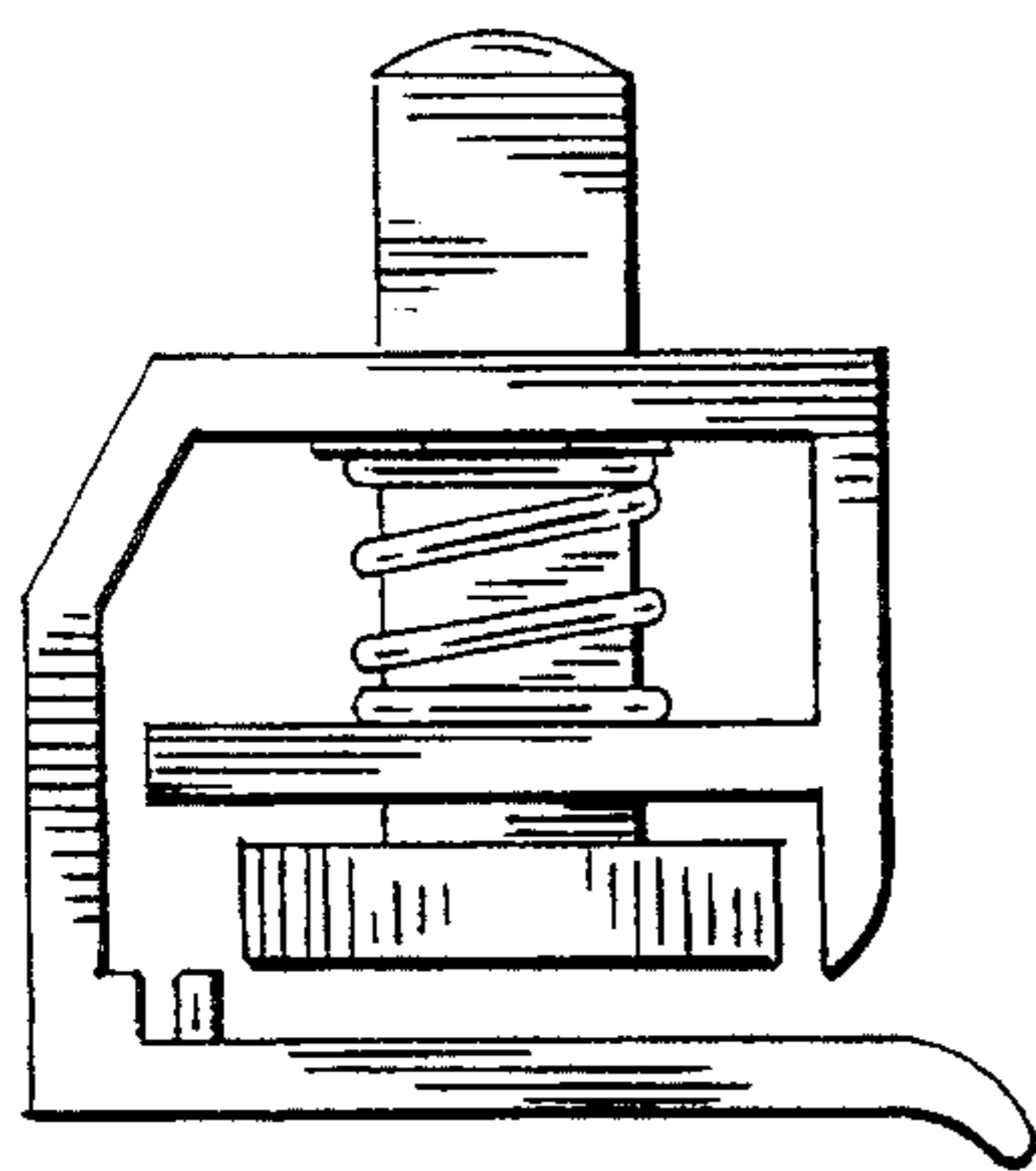


FIG. 9

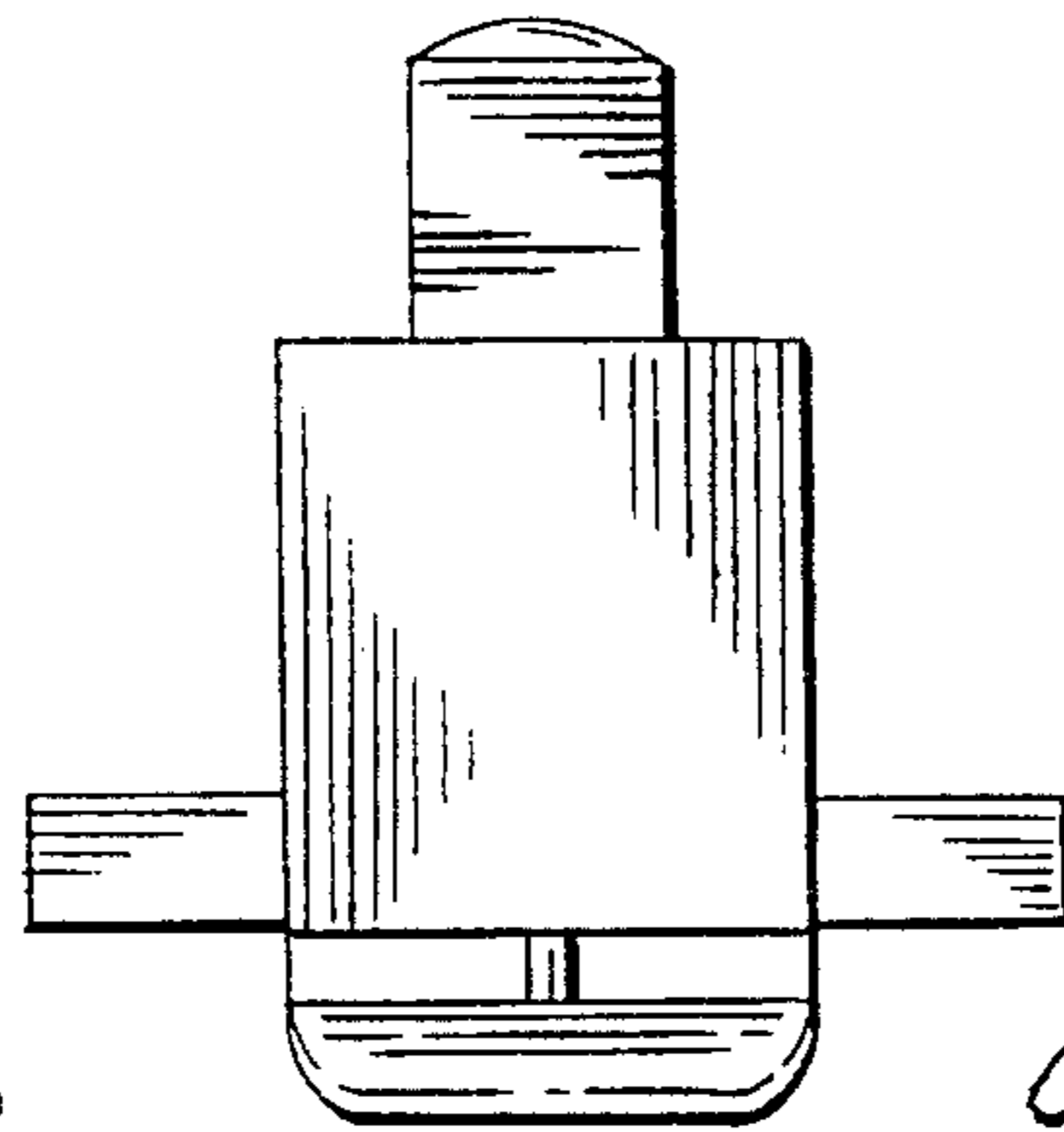


FIG. 10

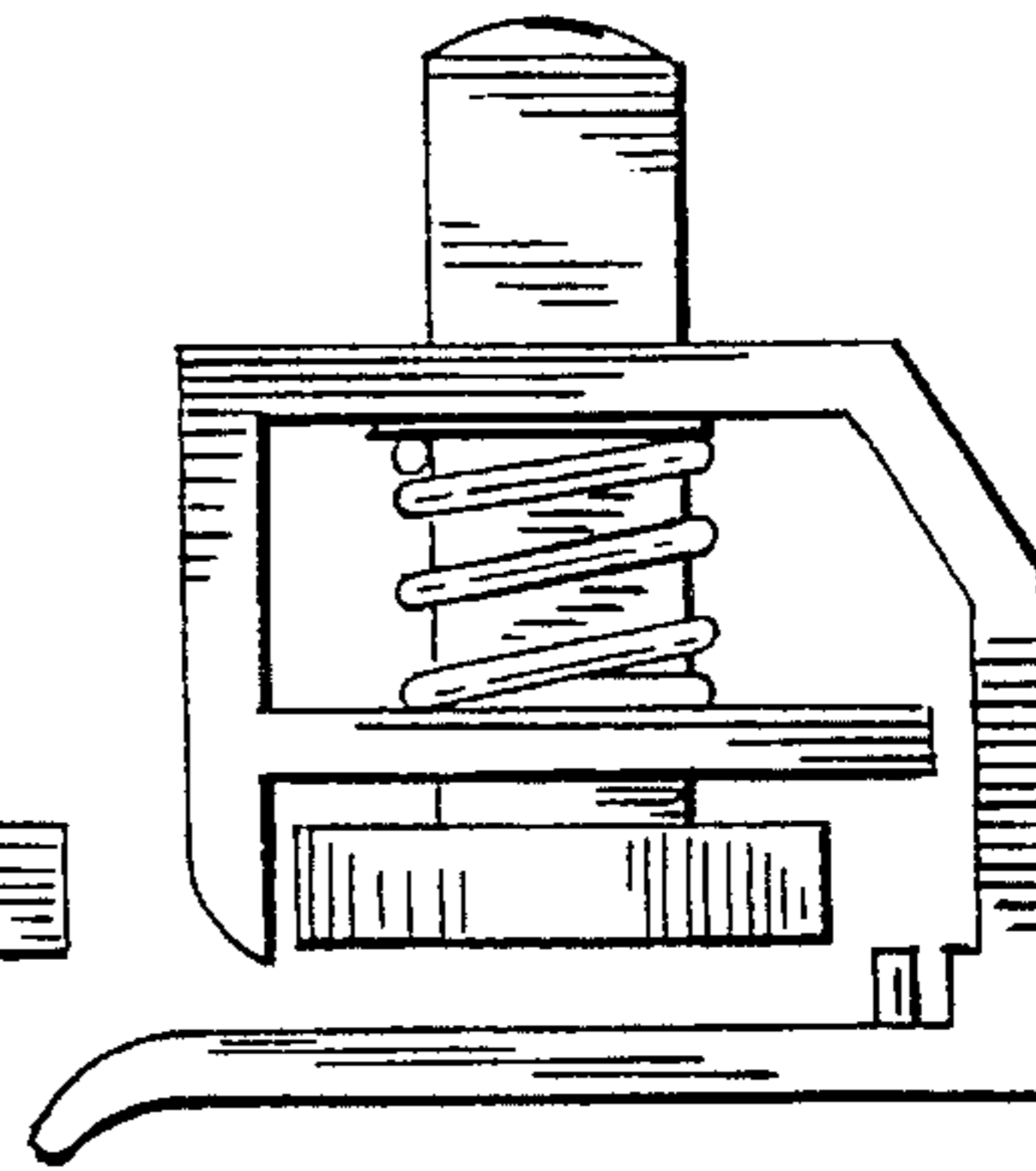


FIG. 11

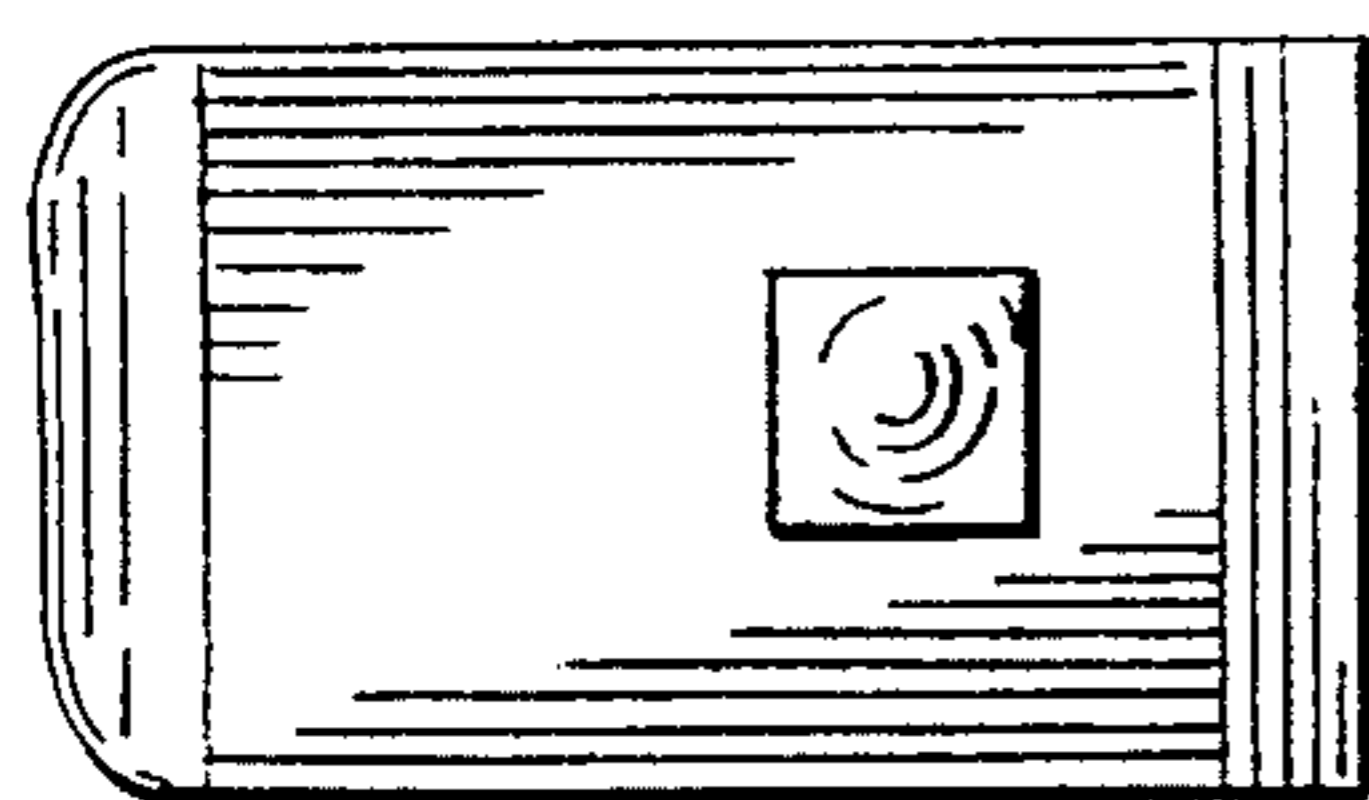


FIG. 12

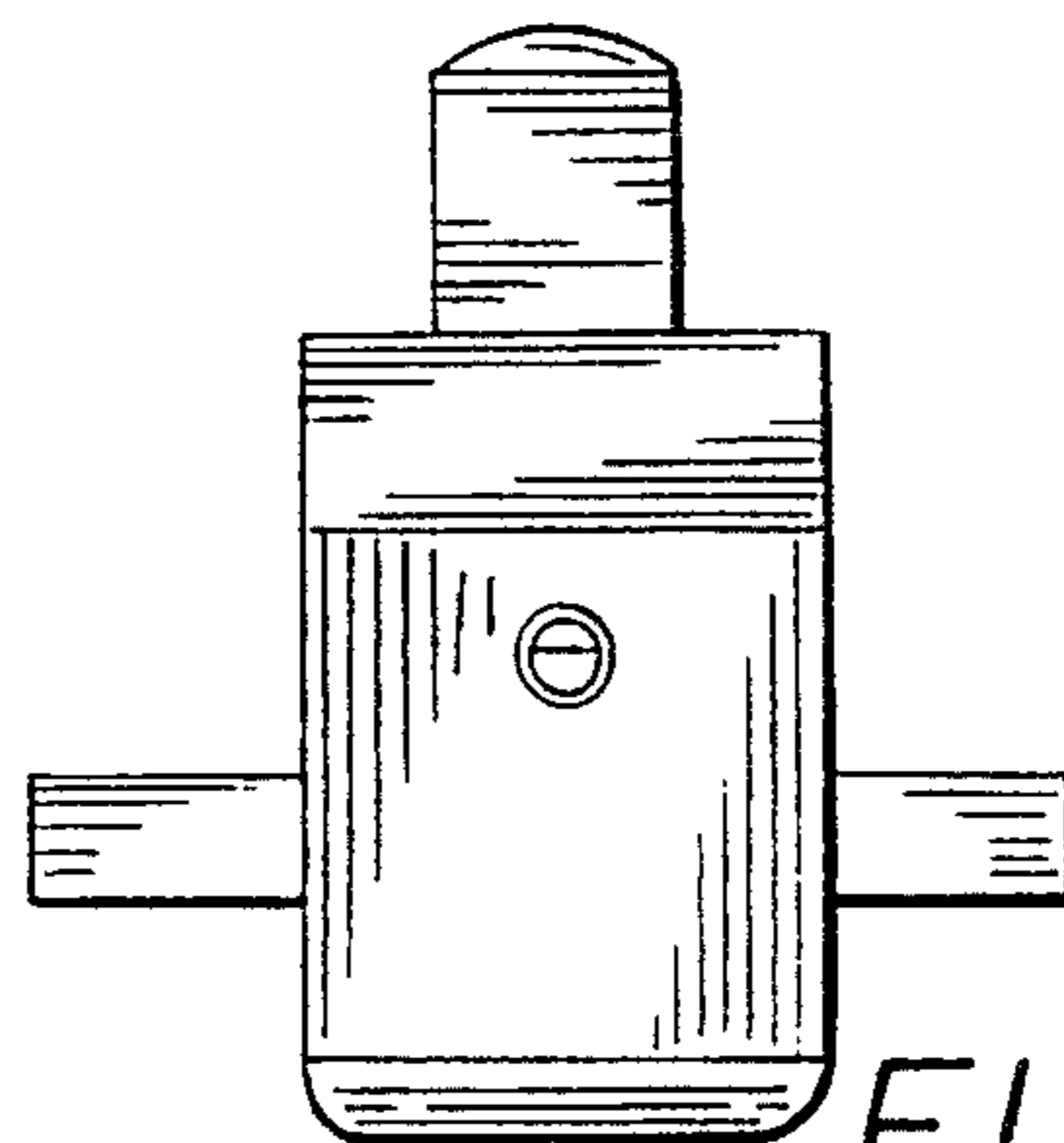


FIG. 13

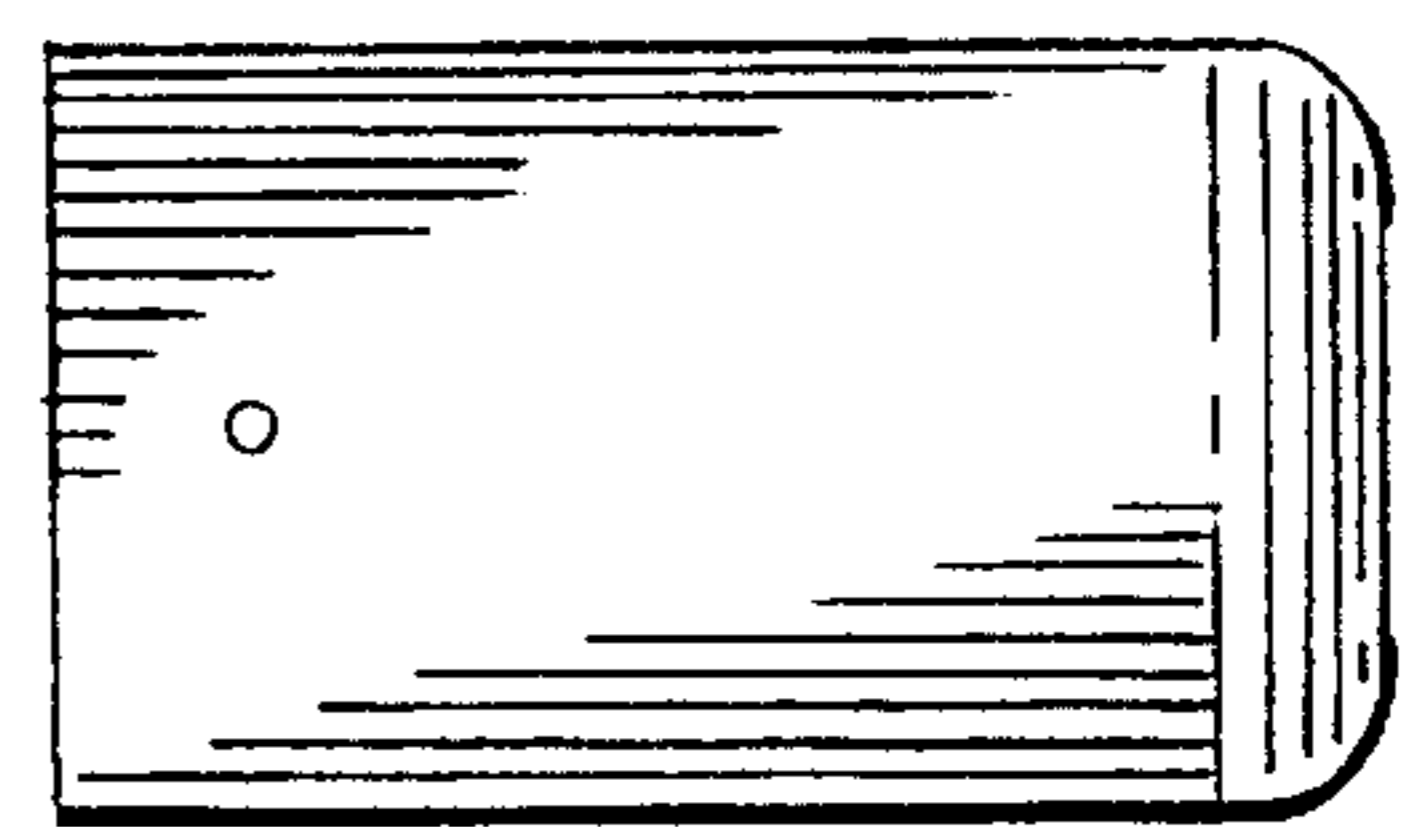


FIG. 14