



US00D371492S

United States Patent [19]

[11] Patent Number: **Des. 371,492**

Pfeil et al.

[45] Date of Patent: ****Jul. 9, 1996**

[54] **STAKE PULLER FOR CONCRETE FORMS**

Assistant Examiner—Richelle Shelton
Attorney, Agent, or Firm—David G. Henry

[76] Inventors: **Ronnie D. Pfeil**, 114 Doeskin Dr.,
Boerne, Tex. 78006; **Lester J. Martin**,
Rte. 2, Box 228, Helotes, Tex. 78023

[57] **CLAIM**

[**] Term: **14 Years**

The ornamental design for a stake puller for concrete forms,
as shown and described.

[21] Appl. No.: **32,294**

DESCRIPTION

[22] Filed: **Dec. 15, 1994**

[52] U.S. Cl. **D8/14**

[58] Field of Search D8/14, 88, 89,
D8/51; 254/30, 31, 130-132, 133 R, DIG. 1

FIG. 1 is a front elevation view of a stake puller for concrete forms showing our new design;

FIG. 2 is a top plan view thereof, the bottom plan view being a mirror image;

FIG. 3 is a rear elevation view thereof;

FIG. 4 is a left side elevation view thereof;

FIG. 5 is a right side elevation view thereof; and,

FIG. 6 is a front elevation view thereof, in use and in an alternate position.

[56] **References Cited**

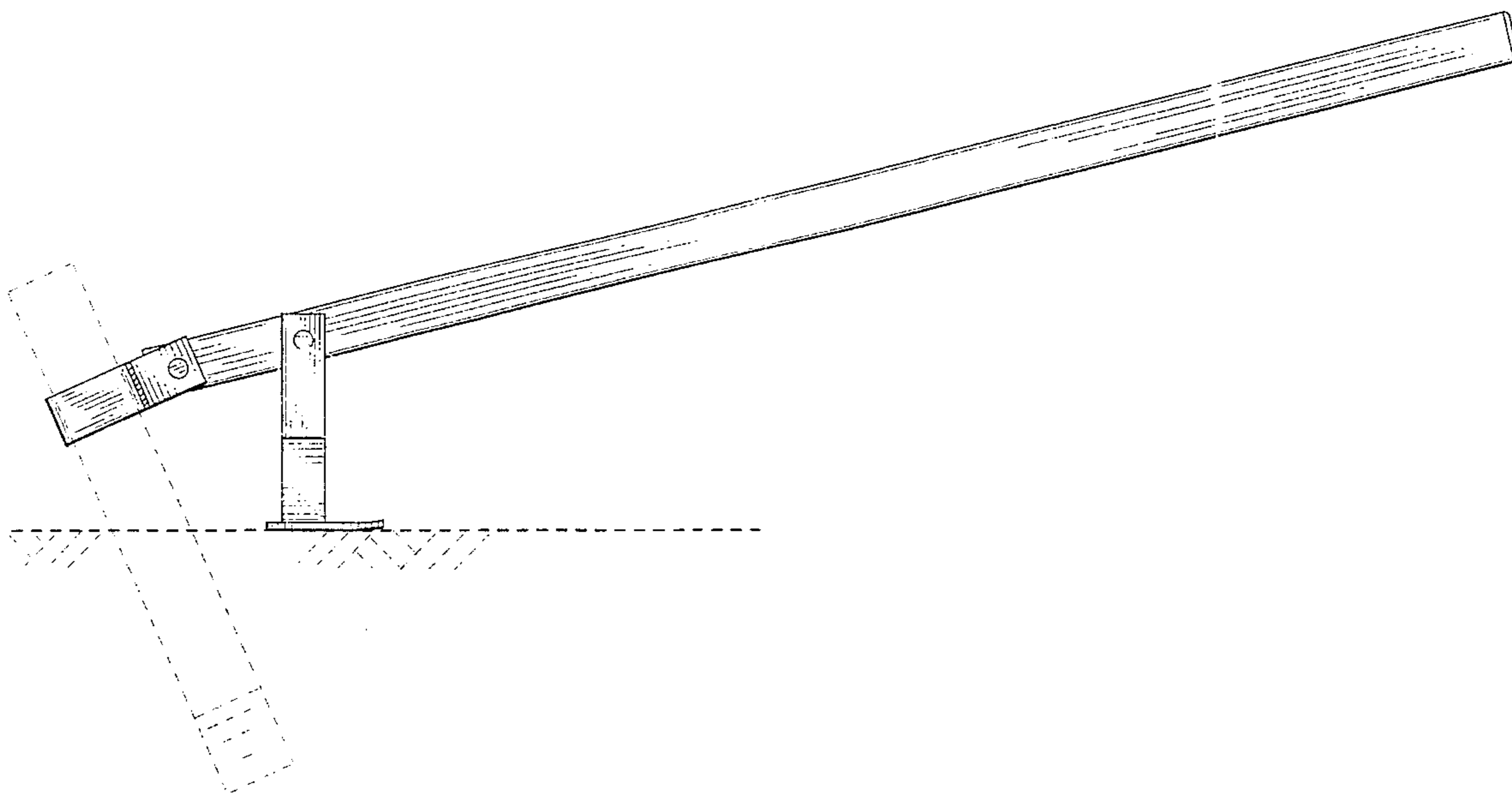
U.S. PATENT DOCUMENTS

D. 312,196	11/1990	Norona	D8/14
D. 341,537	11/1993	Halsey	D8/88
1,761,675	6/1930	Mick	254/132
2,826,392	3/1958	Kohorst	254/30 X
5,186,437	2/1993	Scott	254/132 X

The broken line showing the environmental structure of the ground and a concrete stake in FIG. 6 is for illustrative purposes only, and forms no part of the claimed design.

Primary Examiner—Terry A. Wallace

1 Claim, 2 Drawing Sheets



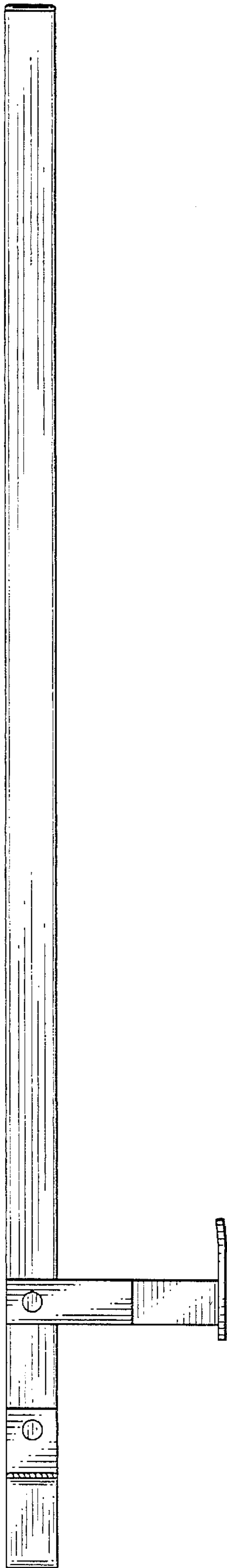


Fig. 1

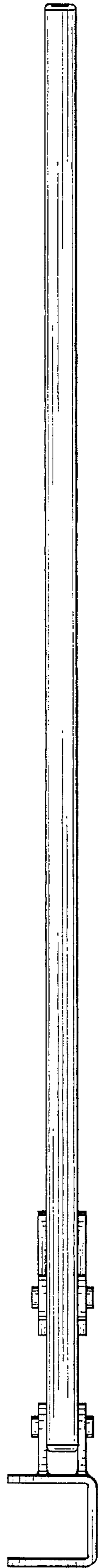


Fig. 2

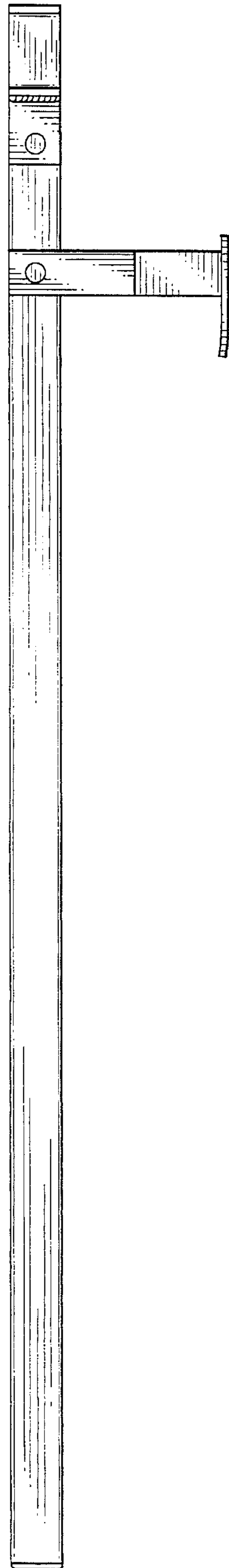


Fig. 3



Fig. 5

Fig. 4

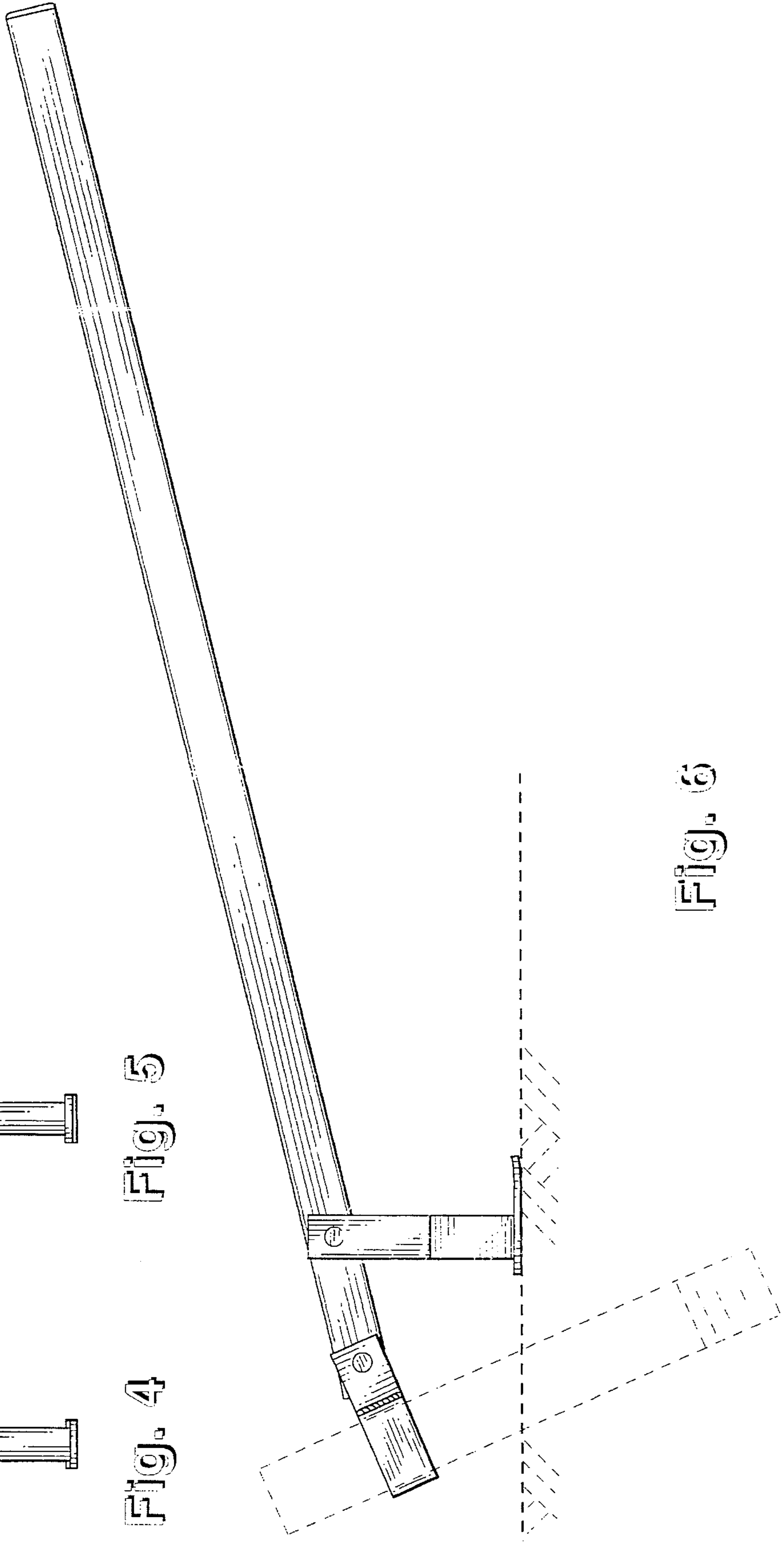


Fig. 6