



US00D371489S

**United States Patent** [19]  
**Deltoro**

[11] **Patent Number:** **Des. 371,489**  
[45] **Date of Patent:** **\*\*Jul. 9, 1996**

[54] **DECORATED WATER CONTAINER WITH CARRYING STRAP**

[76] Inventor: **Jeffrey Deltoro**, P.O. Box 1335,  
Shirley, Mass. 01464

[\*\*] Term: **14 Years**

[21] Appl. No.: **36,066**

[22] Filed: **Mar. 13, 1995**

[52] U.S. Cl. .... **D7/513; D3/229; D7/510;**  
**D7/620**

[58] **Field of Search** ..... **D7/300.1, 300.2,**  
**D7/506, 507, 509, 510, 511, 512, 513,**  
**514, 515, 523, 529, 530, 531, 533, 534,**  
**535, 536, 619, 626, 623, 551, 550, 620;**  
**215/900, 396, 388; 220/526, 524, 666;**  
**D24/197, 198, 199; D3/215, 229, 224;**  
**224/148; D9/341**

[56] **References Cited**

**U.S. PATENT DOCUMENTS**

D. 258,796	4/1981	Paulides	.....	D7/513
D. 273,247	4/1984	Pigott	.....	D3/229
D. 304,143	10/1989	Dennis	.....	D3/229
D. 320,330	10/1991	Stoick	.....	D7/620
D. 336,043	6/1993	Provencio	.....	D7/300.2 X
D. 340,165	10/1993	Blake	.....	D7/620 X
2,094,268	9/1937	Friedman	.....	D7/300.2 X

4,428,508	1/1984	Gardikas	.
4,773,458	9/1988	Touzani	.
4,799,925	1/1989	Rosenblatt	..... 215/900 X
4,865,211	9/1989	Hollingsworth	.
4,919,295	4/1990	Hitzler	..... D9/341 X
4,955,503	9/1990	Propes	..... 220/526
5,060,835	10/1991	Payne	..... D3/229 X
5,183,183	2/1993	Hernandez	..... D3/229 X
5,335,813	8/1994	Qi	..... 220/524

*Primary Examiner*—M. N. Padozzi  
*Attorney, Agent, or Firm*—Terry M. Gernstein

[57] **CLAIM**

The ornamental design for a decorated water container with carrying strap, as shown and described.

**DESCRIPTION**

FIG. 1 is a front, top and side perspective view of the decorated water container with carrying strap showing my new design;

FIG. 2 is a front elevational view thereof, with the strap stretched outward;

FIG. 3 is a rear elevational view thereof;

FIG. 4 is a side elevational view thereof;

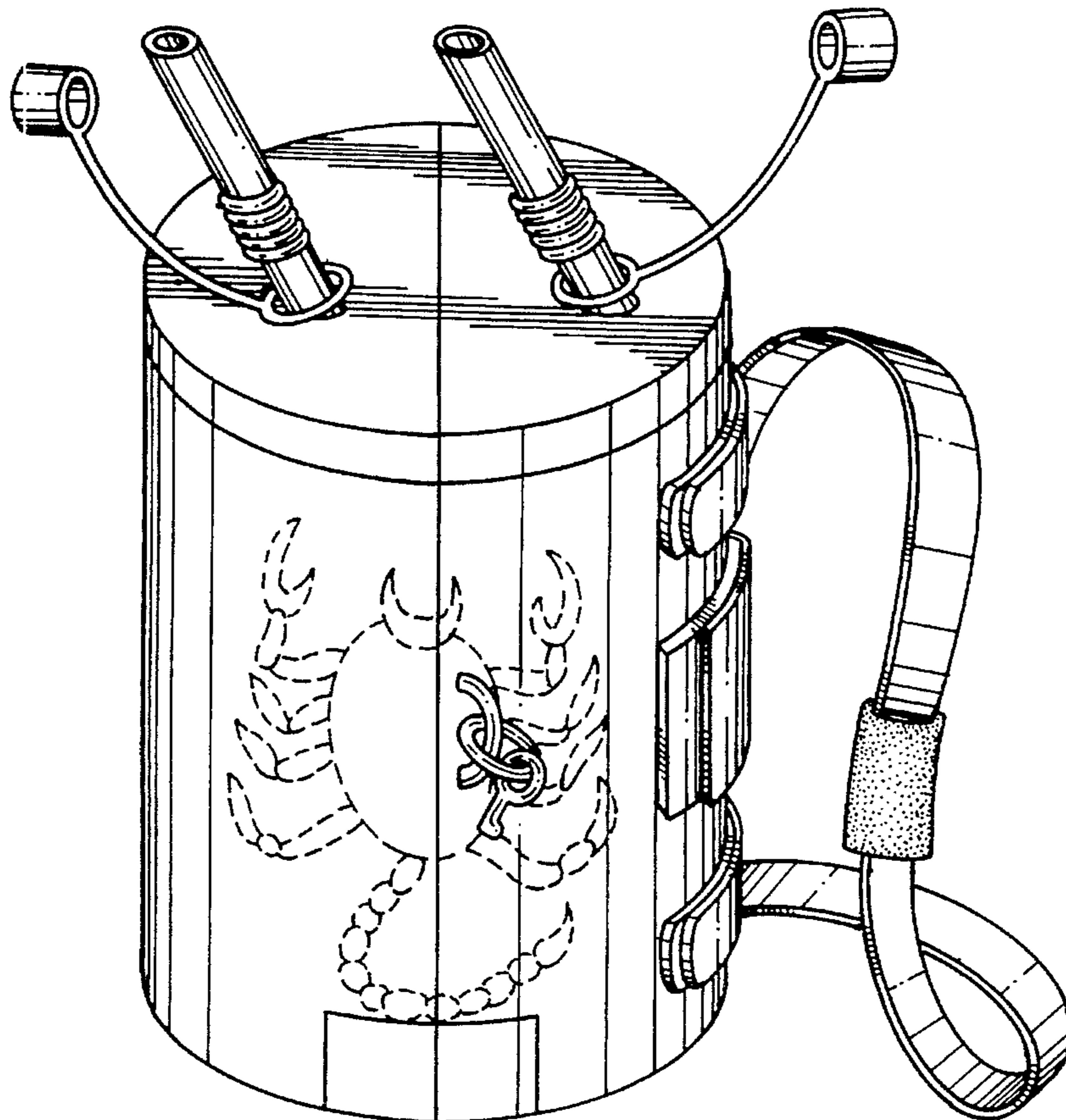
FIG. 5 is a side elevational view thereof;

FIG. 6 is a top plan view thereof; and,

FIG. 7 is a bottom plan view thereof.

The broken line showing of surface indicia of scorpion symbology in FIGS. 1, 2, 3, 4 and 5 is for illustrative purposes only and forms no part of the claimed design.

**1 Claim, 4 Drawing Sheets**



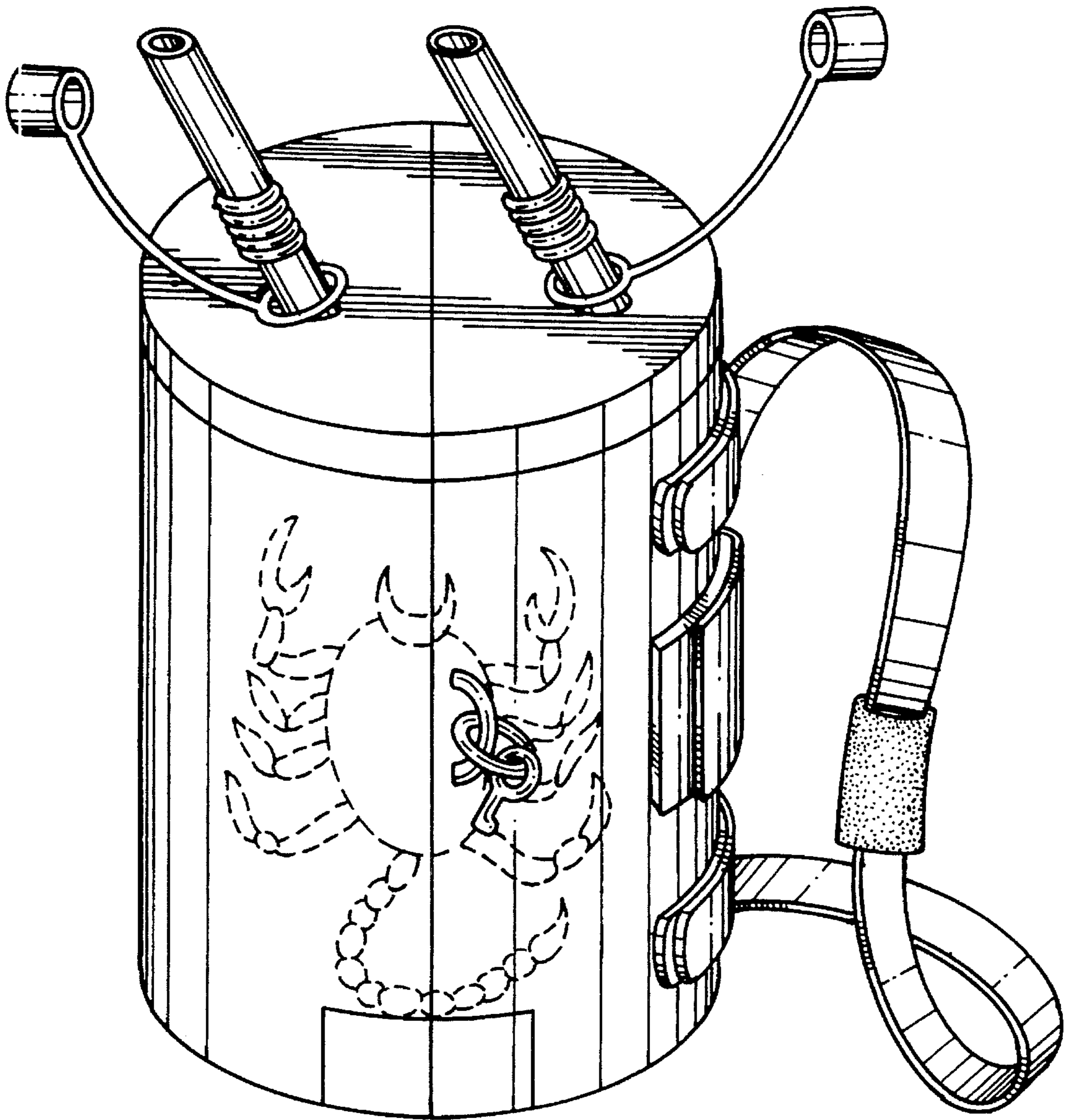


FIG. 1.

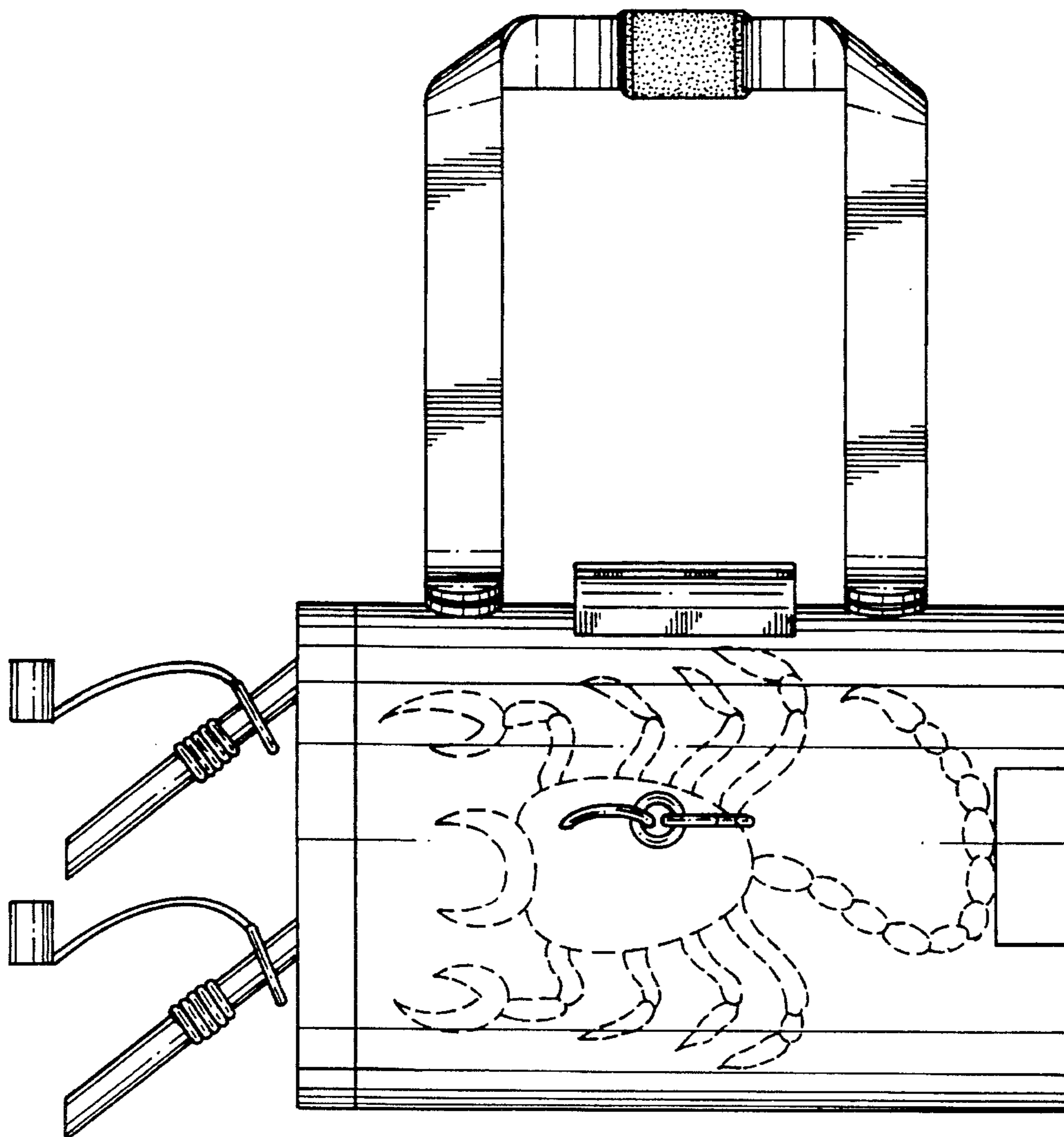


FIG. 2.

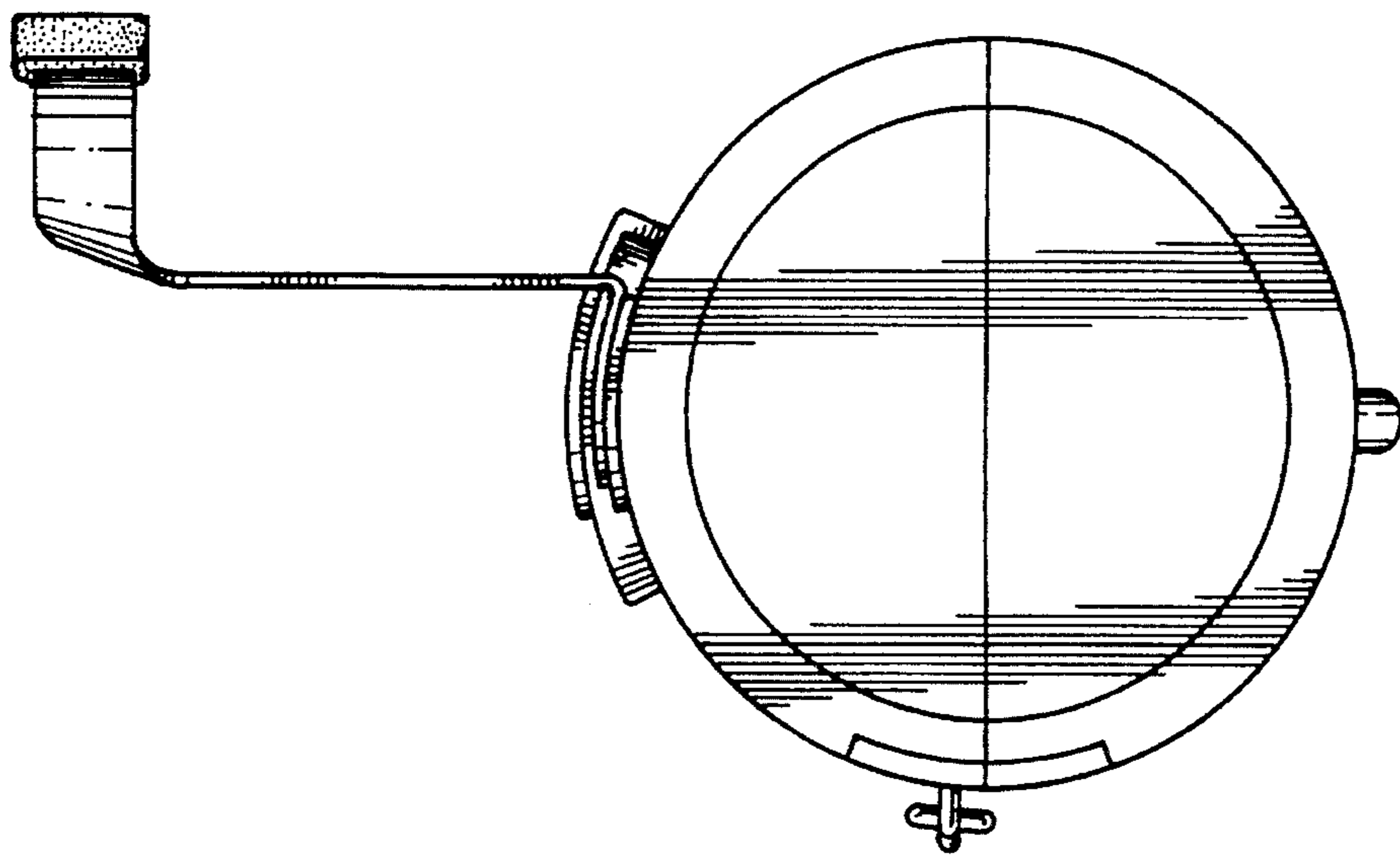


FIG. 7

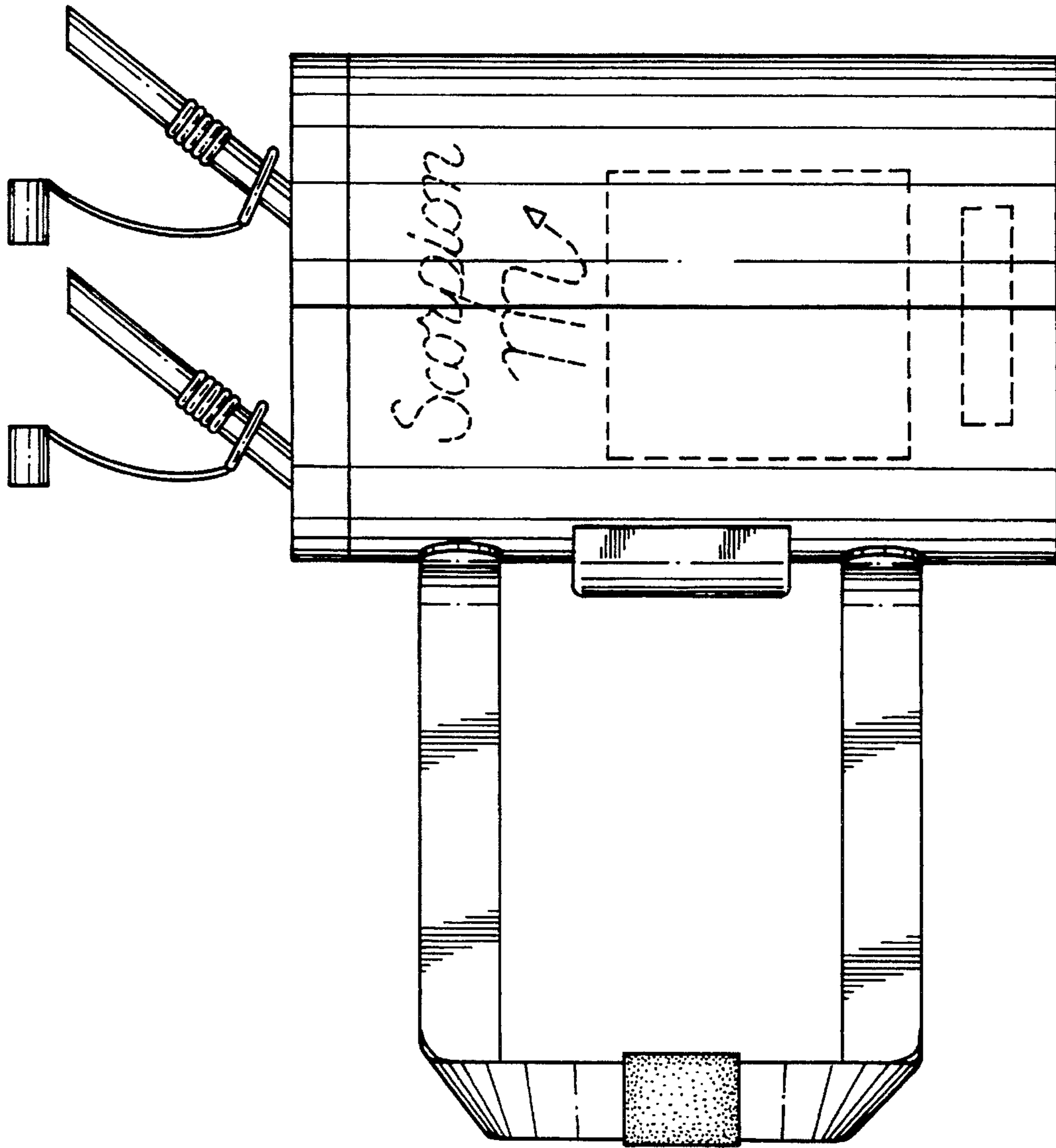


FIG. 3.

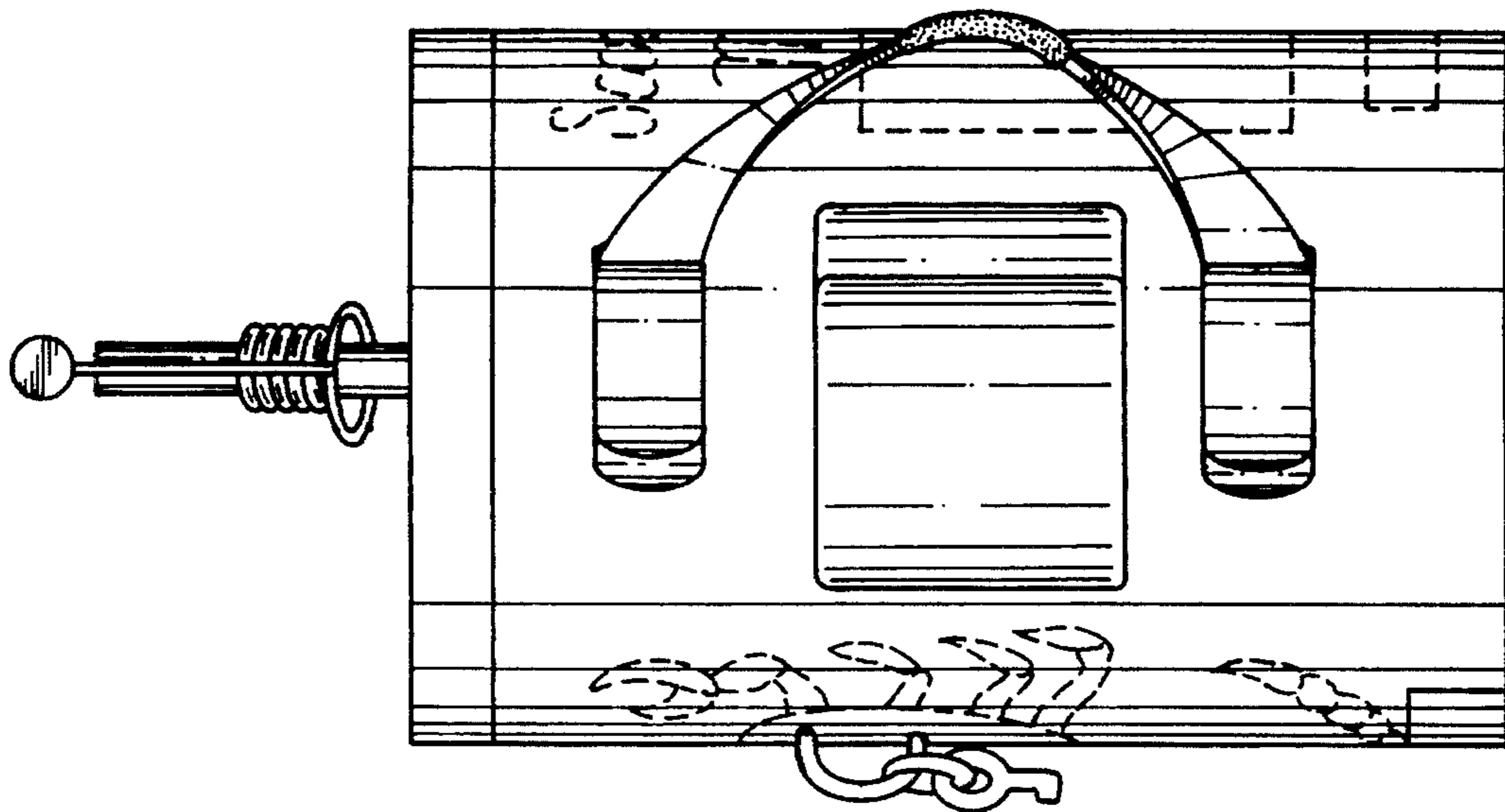


FIG. 4.

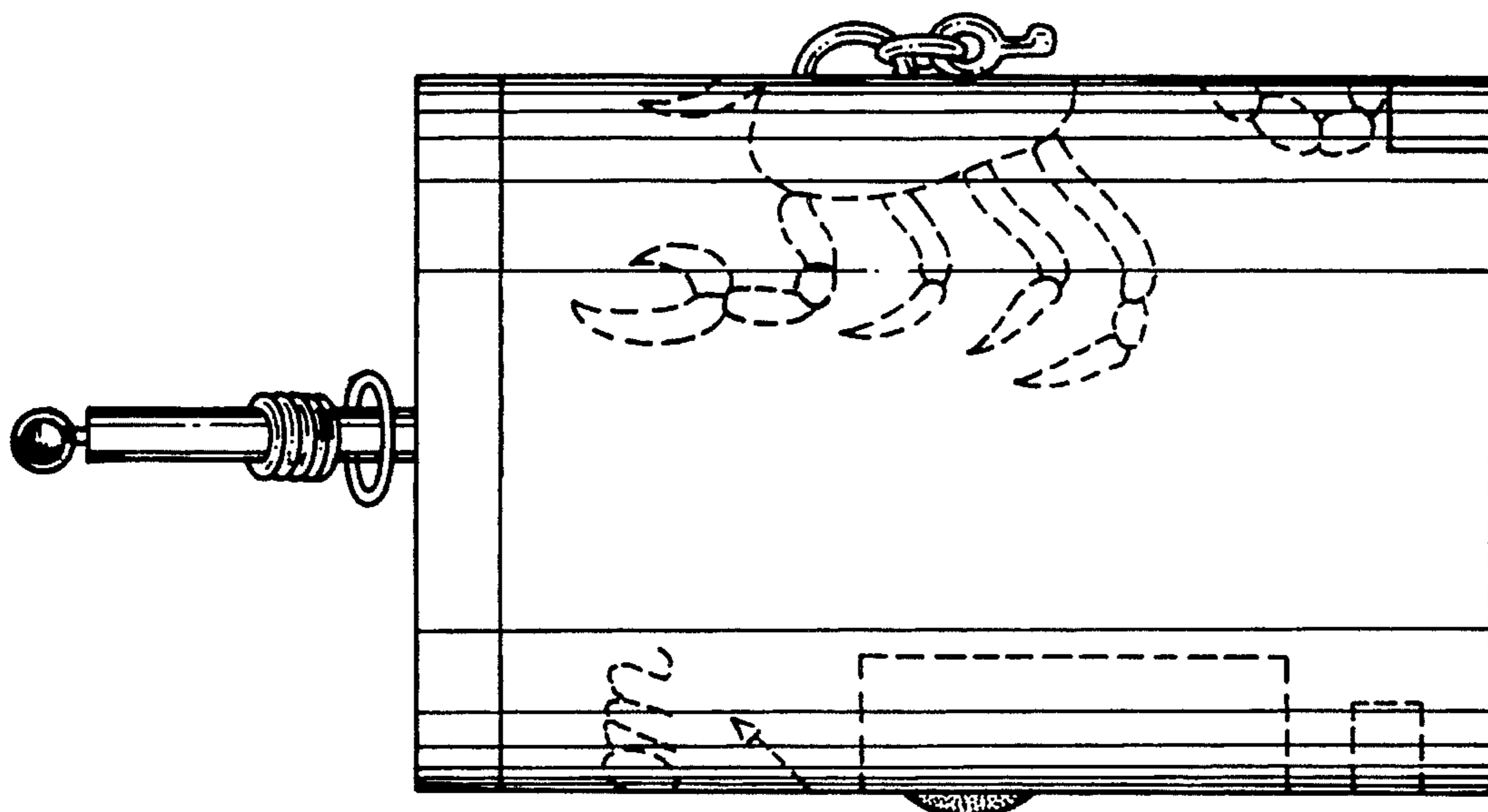


FIG. 5.

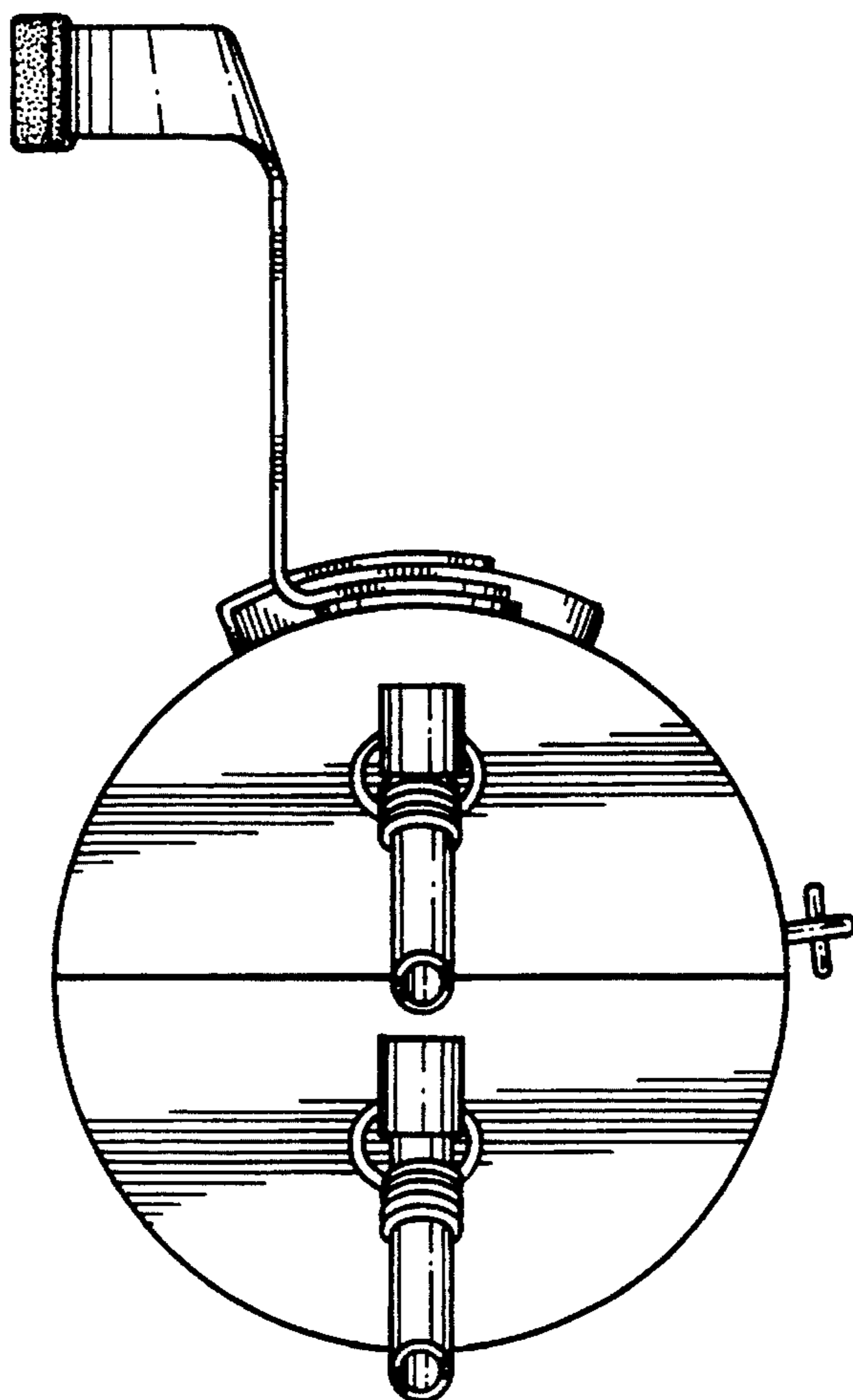


FIG. 6